

**NOTICE!!**

**These documents have been scanned!**

**Do not place un-scanned documents beneath this notice!**

**Do not remove this notice from this file!**

GPO Jacket No. 560-102  
Print Order 61540  
Rise Business Services, LLC  
Job=AZ15 5/20/2019



Box Number= AZ15073



Claim Begin-End: AMC448199-AMC448318

1 Initial Receipt



AZ15073-4

AMC446336-AMC453881

**United States Department of the Interior**  
**Bureau of Land Management**  
 DIV OF LANDS, MINRLS & ENERGY  
 ONE N CENTRAL AVE  
 PHOENIX, AZ 85004 -4427  
 Phone: 602-417-9200

Receipt

No: 4046768

|   |  |
|---|--|
| <b>Transaction #:</b> 4158146   |  |
| <b>Date of Transaction:</b> 12/20/2017  |  |
| <b>CUSTOMER:</b>  |  |
| GOLD ROAD MINING CORP<br>1090 GEORGIA ST W<br>SUITE 450<br>VANCOUVER, BC V6E 3V7 CA |  |

| LINE # | QTY | DESCRIPTION   | REMARKS | UNIT PRICE | TOTAL |
|--------|-----|---|---------|------------|-------|
|        |     | LOCATABLE MINERALS / MINING CLAIMS-<br>NEW, UNADJUD, ONE OR MORE AUTH NOS /<br>NEW MINING CLAIM PROCESSING FEE<br><b>CASES:</b> AMC448199/\$20.00, AMC448200/\$20.00,<br>AMC448201/\$20.00, AMC448202/\$20.00,<br>AMC448203/\$20.00, AMC448204/\$20.00,<br>AMC448205/\$20.00, AMC448206/\$20.00,<br>AMC448207/\$20.00, AMC448208/\$20.00,<br>AMC448209/\$20.00, AMC448210/\$20.00,<br>AMC448211/\$20.00, AMC448212/\$20.00,<br>AMC448213/\$20.00, AMC448214/\$20.00,<br>AMC448215/\$20.00, AMC448216/\$20.00,<br>AMC448217/\$20.00, AMC448218/\$20.00,<br>AMC448219/\$20.00, AMC448220/\$20.00,<br>AMC448221/\$20.00, AMC448222/\$20.00,<br>AMC448223/\$20.00, AMC448224/\$20.00,<br>AMC448225/\$20.00, AMC448226/\$20.00,<br>AMC448227/\$20.00, AMC448228/\$20.00,<br>AMC448229/\$20.00, AMC448230/\$20.00,<br>AMC448231/\$20.00, AMC448232/\$20.00,<br>AMC448233/\$20.00, AMC448234/\$20.00,<br>AMC448235/\$20.00, AMC448236/\$20.00,<br>AMC448237/\$20.00, AMC448238/\$20.00,<br>AMC448239/\$20.00, AMC448240/\$20.00,<br>AMC448241/\$20.00, AMC448242/\$20.00,<br>AMC448243/\$20.00, AMC448244/\$20.00,<br>AMC448245/\$20.00, AMC448246/\$20.00,<br>AMC448247/\$20.00, AMC448248/\$20.00,<br>AMC448249/\$20.00, AMC448250/\$20.00,<br>AMC448251/\$20.00, AMC448252/\$20.00, |         |            |       |

|   |        |  |  |         |         |
|---|--------|--|--|---------|---------|
| 1 | 120.00 | AMC448253/\$20.00, AMC448254/\$20.00,<br>AMC448255/\$20.00, AMC448256/\$20.00,<br>AMC448257/\$20.00, AMC448258/\$20.00,<br>AMC448259/\$20.00, AMC448260/\$20.00,<br>AMC448261/\$20.00, AMC448262/\$20.00,<br>AMC448263/\$20.00, AMC448264/\$20.00,<br>AMC448265/\$20.00, AMC448266/\$20.00,<br>AMC448267/\$20.00, AMC448268/\$20.00,<br>AMC448269/\$20.00, AMC448270/\$20.00,<br>AMC448271/\$20.00, AMC448272/\$20.00,<br>AMC448273/\$20.00, AMC448274/\$20.00,<br>AMC448275/\$20.00, AMC448276/\$20.00,<br>AMC448277/\$20.00, AMC448278/\$20.00,<br>AMC448279/\$20.00, AMC448280/\$20.00,<br>AMC448281/\$20.00, AMC448282/\$20.00,<br>AMC448283/\$20.00, AMC448284/\$20.00,<br>AMC448285/\$20.00, AMC448286/\$20.00,<br>AMC448287/\$20.00, AMC448288/\$20.00,<br>AMC448289/\$20.00, AMC448290/\$20.00,<br>AMC448291/\$20.00, AMC448292/\$20.00,<br>AMC448293/\$20.00, AMC448294/\$20.00,<br>AMC448295/\$20.00, AMC448296/\$20.00,<br>AMC448297/\$20.00, AMC448298/\$20.00,<br>AMC448299/\$20.00, AMC448300/\$20.00,<br>AMC448301/\$20.00, AMC448302/\$20.00,<br>AMC448303/\$20.00, AMC448304/\$20.00,<br>AMC448305/\$20.00, AMC448306/\$20.00,<br>AMC448307/\$20.00, AMC448308/\$20.00,<br>AMC448309/\$20.00, AMC448310/\$20.00,<br>AMC448311/\$20.00, AMC448312/\$20.00,<br>AMC448313/\$20.00, AMC448314/\$20.00,<br>AMC448315/\$20.00, AMC448316/\$20.00,<br>AMC448317/\$20.00, AMC448318/\$20.00 |  | - n/a - | 2400.00 |
|   |        | LOCATABLE MINERALS / MINING CLAIMS-<br>NEW, UNADJUD, ONE OR MORE AUTH NOS /<br>NEW MINING CLAIMS LOCATION FEE<br><b>CASES:</b> AMC448199/\$37.00, AMC448200/\$37.00,<br>AMC448201/\$37.00, AMC448202/\$37.00,<br>AMC448203/\$37.00, AMC448204/\$37.00,<br>AMC448205/\$37.00, AMC448206/\$37.00,<br>AMC448207/\$37.00, AMC448208/\$37.00,<br>AMC448209/\$37.00, AMC448210/\$37.00,<br>AMC448211/\$37.00, AMC448212/\$37.00,<br>AMC448213/\$37.00, AMC448214/\$37.00,<br>AMC448215/\$37.00, AMC448216/\$37.00,<br>AMC448217/\$37.00, AMC448218/\$37.00,<br>AMC448219/\$37.00, AMC448220/\$37.00,<br>AMC448221/\$37.00, AMC448222/\$37.00,<br>AMC448223/\$37.00, AMC448224/\$37.00,<br>AMC448225/\$37.00, AMC448226/\$37.00,  |  |         |         |

|   |        |   |  |         |         |
|---|--------|---|--|---------|---------|
| 2 | 120.00 | AMC448227/\$37.00, AMC448228/\$37.00,<br>AMC448229/\$37.00, AMC448230/\$37.00,<br>AMC448231/\$37.00, AMC448232/\$37.00,<br>AMC448233/\$37.00, AMC448234/\$37.00,<br>AMC448235/\$37.00, AMC448236/\$37.00,<br>AMC448237/\$37.00, AMC448238/\$37.00,<br>AMC448239/\$37.00, AMC448240/\$37.00,<br>AMC448241/\$37.00, AMC448242/\$37.00,<br>AMC448243/\$37.00, AMC448244/\$37.00,<br>AMC448245/\$37.00, AMC448246/\$37.00,<br>AMC448247/\$37.00, AMC448248/\$37.00,<br>AMC448249/\$37.00, AMC448250/\$37.00,<br>AMC448251/\$37.00, AMC448252/\$37.00,<br>AMC448253/\$37.00, AMC448254/\$37.00,<br>AMC448255/\$37.00, AMC448256/\$37.00,<br>AMC448257/\$37.00, AMC448258/\$37.00,<br>AMC448259/\$37.00, AMC448260/\$37.00,<br>AMC448261/\$37.00, AMC448262/\$37.00,<br>AMC448263/\$37.00, AMC448264/\$37.00,<br>AMC448265/\$37.00, AMC448266/\$37.00,<br>AMC448267/\$37.00, AMC448268/\$37.00,<br>AMC448269/\$37.00, AMC448270/\$37.00,<br>AMC448271/\$37.00, AMC448272/\$37.00,<br>AMC448273/\$37.00, AMC448274/\$37.00,<br>AMC448275/\$37.00, AMC448276/\$37.00,<br>AMC448277/\$37.00, AMC448278/\$37.00,<br>AMC448279/\$37.00, AMC448280/\$37.00,<br>AMC448281/\$37.00, AMC448282/\$37.00,<br>AMC448283/\$37.00, AMC448284/\$37.00,<br>AMC448285/\$37.00, AMC448286/\$37.00,<br>AMC448287/\$37.00, AMC448288/\$37.00,<br>AMC448289/\$37.00, AMC448290/\$37.00,<br>AMC448291/\$37.00, AMC448292/\$37.00,<br>AMC448293/\$37.00, AMC448294/\$37.00,<br>AMC448295/\$37.00, AMC448296/\$37.00,<br>AMC448297/\$37.00, AMC448298/\$37.00,<br>AMC448299/\$37.00, AMC448300/\$37.00,<br>AMC448301/\$37.00, AMC448302/\$37.00,<br>AMC448303/\$37.00, AMC448304/\$37.00,<br>AMC448305/\$37.00, AMC448306/\$37.00,<br>AMC448307/\$37.00, AMC448308/\$37.00,<br>AMC448309/\$37.00, AMC448310/\$37.00,<br>AMC448311/\$37.00, AMC448312/\$37.00,<br>AMC448313/\$37.00, AMC448314/\$37.00,<br>AMC448315/\$37.00, AMC448316/\$37.00,<br>AMC448317/\$37.00, AMC448318/\$37.00 |  | - n/a - | 4440.00 |
|   |        | LOCATABLE MINERALS / MINING CLAIMS-<br>NEW, UNADJUD, ONE OR MORE AUTH NOS /<br>NEW MINING CLAIMS MAINTENANCE FEE<br>CASES: AMC448199/\$155.00, AMC448200/\$155.00,  |  |         |         |

3

120.00

AMC448201/\$155.00, AMC448202/\$155.00,  
 AMC448203/\$155.00, AMC448204/\$155.00,  
 AMC448205/\$155.00, AMC448206/\$155.00,  
 AMC448207/\$155.00, AMC448208/\$155.00,  
 AMC448209/\$155.00, AMC448210/\$155.00,  
 AMC448211/\$155.00, AMC448212/\$155.00,  
 AMC448213/\$155.00, AMC448214/\$155.00,  
 AMC448215/\$155.00, AMC448216/\$155.00,  
 AMC448217/\$155.00, AMC448218/\$155.00,  
 AMC448219/\$155.00, AMC448220/\$155.00,  
 AMC448221/\$155.00, AMC448222/\$155.00,  
 AMC448223/\$155.00, AMC448224/\$155.00,  
 AMC448225/\$155.00, AMC448226/\$155.00,  
 AMC448227/\$155.00, AMC448228/\$155.00,  
 AMC448229/\$155.00, AMC448230/\$155.00,  
 AMC448231/\$155.00, AMC448232/\$155.00,  
 AMC448233/\$155.00, AMC448234/\$155.00,  
 AMC448235/\$155.00, AMC448236/\$155.00,  
 AMC448237/\$155.00, AMC448238/\$155.00,  
 AMC448239/\$155.00, AMC448240/\$155.00,  
 AMC448241/\$155.00, AMC448242/\$155.00,  
 AMC448243/\$155.00, AMC448244/\$155.00,  
 AMC448245/\$155.00, AMC448246/\$155.00,  
 AMC448247/\$155.00, AMC448248/\$155.00,  
 AMC448249/\$155.00, AMC448250/\$155.00,  
 AMC448251/\$155.00, AMC448252/\$155.00,  
 AMC448253/\$155.00, AMC448254/\$155.00,  
 AMC448255/\$155.00, AMC448256/\$155.00,  
 AMC448257/\$155.00, AMC448258/\$155.00,  
 AMC448259/\$155.00, AMC448260/\$155.00,  
 AMC448261/\$155.00, AMC448262/\$155.00,  
 AMC448263/\$155.00, AMC448264/\$155.00,  
 AMC448265/\$155.00, AMC448266/\$155.00,  
 AMC448267/\$155.00, AMC448268/\$155.00,  
 AMC448269/\$155.00, AMC448270/\$155.00,  
 AMC448271/\$155.00, AMC448272/\$155.00,  
 AMC448273/\$155.00, AMC448274/\$155.00,  
 AMC448275/\$155.00, AMC448276/\$155.00,  
 AMC448277/\$155.00, AMC448278/\$155.00,  
 AMC448279/\$155.00, AMC448280/\$155.00,  
 AMC448281/\$155.00, AMC448282/\$155.00,  
 AMC448283/\$155.00, AMC448284/\$155.00,  
 AMC448285/\$155.00, AMC448286/\$155.00,  
 AMC448287/\$155.00, AMC448288/\$155.00,  
 AMC448289/\$155.00, AMC448290/\$155.00,  
 AMC448291/\$155.00, AMC448292/\$155.00,  
 AMC448293/\$155.00, AMC448294/\$155.00,  
 AMC448295/\$155.00, AMC448296/\$155.00,  
 AMC448297/\$155.00, AMC448298/\$155.00,  
 AMC448299/\$155.00, AMC448300/\$155.00,

- n/a -

18600.00

|               |  |  |  |                    |
|---------------|--|--|--|--------------------|
|               | AMC448301/\$155.00, AMC448302/\$155.00,<br>AMC448303/\$155.00, AMC448304/\$155.00,<br>AMC448305/\$155.00, AMC448306/\$155.00,<br>AMC448307/\$155.00, AMC448308/\$155.00,<br>AMC448309/\$155.00, AMC448310/\$155.00,<br>AMC448311/\$155.00, AMC448312/\$155.00,<br>AMC448313/\$155.00, AMC448314/\$155.00,<br>AMC448315/\$155.00, AMC448316/\$155.00,<br>AMC448317/\$155.00, AMC448318/\$155.00 |  |  |                    |
| <b>TOTAL:</b> |  |  |  | <b>\$25,440.00</b> |

| PAYMENT INFORMATION |           |  |             |            |
|---------------------|-----------|--|-------------|------------|
| 1                   | AMOUNT:   | 25440.00   | POSTMARKED: | N/A        |
|                     | TYPE:     | CHECK  | RECEIVED:   | 12/20/2017 |
|                     | CHECK NO: | 91157  |             |            |
|                     | NAME:     | FENNEMORE CRAIG PC<br>2394 E CAMELBACK RD<br>SUITE 600<br>PHOENIX AZ 85016 |             |            |

| REMARKS |
|---------|
|         |

This receipt was generated by the automated BLM Collections and Billing System and is a paper representation of a portion of the official electronic record contained therein.

**NOTICE!!**

**These documents have been scanned!**

**Do not place un-scanned documents beneath this notice!**

**Do not remove this notice from this file!**

GPO Jacket No. 560-102  
Print Order 61540  
Rise Business Services, LLC  
Job=AZ15 5/20/2019



Box Number= AZ15073



Claim Begin-End: AMC448199-AMC448318

2 Correspondence



AZ15073-4 AMC446336-AMC453881

**NO  
DOCUMENTS  
FOUND**

NO DOCUMENTS FOUND  
NO DOCUMENTS FOUND



**NOTICE!!**

**These documents have been scanned!**

**Do not place un-scanned documents beneath this notice!**

**Do not remove this notice from this file!**

GPO Jacket No. 560-102  
Print Order 61540  
Rise Business Services, LLC  
Job=AZ15 5/20/2019



Box Number= AZ15073



Claim Begin-End: AMC448199-AMC448318

3 Transfers



AZ15073-4

AMC446336-AMC453881

**NO  
DOCUMENTS  
FOUND**

NO DOCUMENTS FOUND  
NO DOCUMENTS FOUND

**NOTICE!!**

**These documents have been scanned!**

**Do not place un-scanned documents beneath this notice!**

**Do not remove this notice from this file!**

GPO Jacket No. 560-102  
Print Order 61540  
Rise Business Services, LLC  
Job=AZ15 5/20/2019



Box Number= AZ15073



Claim Begin-End: AMC448199-AMC448318

4 Annual Filings



AZ15073-4 AMC446336-AMC453881

**NO  
DOCUMENTS  
FOUND**

NO DOCUMENTS FOUND  
NO DOCUMENTS FOUND

**NOTICE!!**

**These documents have been scanned!**

**Do not place un-scanned documents beneath this notice!**

**Do not remove this notice from this file!**

GPO Jacket No. 560-102  
Print Order 61540  
Rise Business Services, LLC  
Job=AZ15 5/20/2019



Box Number= AZ15073



Claim Begin-End: AMC448199-AMC448318

5 Miscellaneous



AZ15073-4

AMC446336-AMC453881

**NO  
DOCUMENTS  
FOUND**

NO DOCUMENTS FOUND  
NO DOCUMENTS FOUND

**NOTICE!!**

**These documents have been scanned!**

**Do not place un-scanned documents beneath this notice!**

**Do not remove this notice from this file!**

GPO Jacket No. 560-102  
Print Order 61540  
Rise Business Services, LLC  
Job=AZ15 5/20/2019



Box Number= AZ15073



Claim Begin-End: AMC448199-AMC448318

6 Location Notices-Amendments and Supporting Documents



AZ15073-4 AMC446336-AMC453881

MINING CLAIM STATUS REPORT

Data Entered: 12/29/17 RAN

MTP Checked By: 12/29/17 RAN
GEO Checked By: 12/29/17 RAN

LEAD SERIAL NUMBER: AMC 448199 thru AMC 448318

NUMBER OF CLAIMS & TYPE:

120 LODE
PLACER
ASSOCIATION PLACER
MILL SITE
TUNNEL SITE

CHARGES:

Processing Fee @ \$20 = \$ 2400
Location Fee @ \$37 = \$ 4440
Maintenance Fee @ \$155 = \$ 18600
Add'l Maint Fee for Assoc Placer = \$
SUBTOTAL \$ 25440
Other Fees \$
Other Fees \$
TOTAL \$

TOTAL ACREAGE: Per Claim
(Placer Only)

NUMBER OF LOCATORS:

DOCUMENTS RECEIVED VIA: Over-the-Counter [X] Mail [ ] TIMELY FILED: Yes [X] No [ ]

LEGAL DESCRIPTION: T 19N R 20W SEC 2,3,4,9,10,11,12
T R SEC 13,14,15,16,22,23,24,25,26
T 19N R 19W SEC 18
T R SEC
T R SEC

BLM [ ] FOREST SERVICE [ ] SUBJ TO PL 359: Yes [ ] No [ ]
WILDERNESS AREA [ ]

SPLIT ESTATE: N/A [ ] SX [ ] PX [ ] OTHER [ ]
SRHA [ ] Was proper Notice filed if located on SHRA Land? Yes [ ] No [ ]

RECONVEYED MINERALS ON BLM LAND REQUIRE OPENING ORDER FROM 1944 TO 1993:

Open to Entry On N/A [ ]

COMMENTS/STATUS: VOID [ ] PARTIALLY VOID [ ] PVT MINERALS [ ] WITHDRAWN LANDS [ ]
OTHER [ ] NO RIGHTS EXTENDED TO THESE PORTIONS OF MINING CLAIMS OVERLAPPING PATENTED, PRIVATE, STATE, WITHDRAWALS, AND LANDS NOT OPEN TO MINING. RAN

AMC 448199

[ ] Claimant acknowledges that portions of the following claim(s) site(s) may be void or voidable.

Printed Name of Claimant Signature of Claimant

\*\*\*\*\*FINAL ADJUDICATION\*\*\*\*\*

DATE 12/27/2019 INITIALS RAN



2 E

Gold Road Mining Corp.  
Suite 450, 1090 West Georgia Street  
Vancouver, BC V6E 3V7 Canada

**FEE# 2017062187**

OFFICIAL RECORDS  
OF MOHAVE COUNTY  
KRISTI BLAIR,  
COUNTY RECORDER



12/26/2017 02:27 PM Fee: \$10.00

PAGE: 1 of 2

WHEN RECORDED MAIL TO (MC):

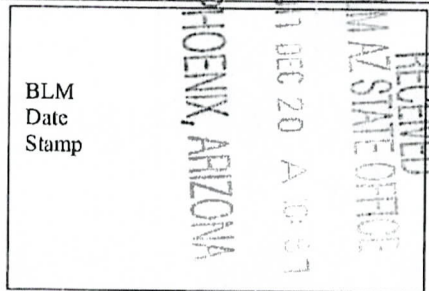
FENNEMORE CRAIG  
2394 EAST CAMELBACK RD  
SUITE 600  
PHOENIX AZ 85016

**LOCATION NOTICE FOR LODE MINING CLAIM**

Amendment BLM Serial # \_\_\_\_\_

NOTICE IS HEREBY GIVEN that the GRMC 1

\_\_\_\_\_ lode mining claim has been located  
by Gold Road Mining Corp. whose current mailing  
address is Suite 450, 1090 West Georgia Street  
Vancouver, BC V6E 3V7 Canada



BLM  
Date  
Stamp

The general course of this claim is East-West and it is situated in Mohave  
County, Arizona. This claim is 1500 feet in length and 600 feet in width.

20 Total Claim Acreage. This claim runs from the location monument on which this location notice  
is posted on the centerline of the claim approximately 20 feet in a E direction to the E  
end line and 1480 feet in a W direction to the W end line. This claim is marked by six  
monuments, one at each corner and one at the center of each end line of the claim.

The location monument on which this notice is posted is situated within Section 2, Township 19  
N, Range 20 W, Gila Salt River Base and Meridian, Arizona and this claim encompasses portions  
of the following quarter section(s), section(s), Township(s) and Range(s) \_\_\_\_\_  
SW1/4 Sec.2 T19N R20W

Gila Salt River Base and Meridian, Arizona.

The locality of this claim with reference to some natural object or permanent monument and additional information  
(if any) concerning its locality are as follows: \_\_\_\_\_

198'E 1,097'N from SW corner Sec.2 T19N R20W

\_\_\_\_\_ The above information is shown on the attached map.

DATED AND POSTED on the ground this 18 day of October, 20 17.

LOCATOR(s)  AGENT

Print Name(s) Stuart Burgess

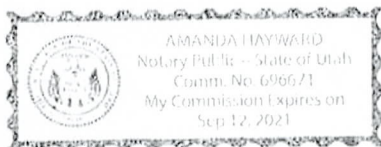
Signature(s) \_\_\_\_\_

State of Utah  
County of Salt Lake

This instrument was signed and sworn to before me  
on 12/2/17 by Stuart Burgess  
(Name of signer)

AKH

(Notary Signature)  
[Affix seal/stamp to the left or below]

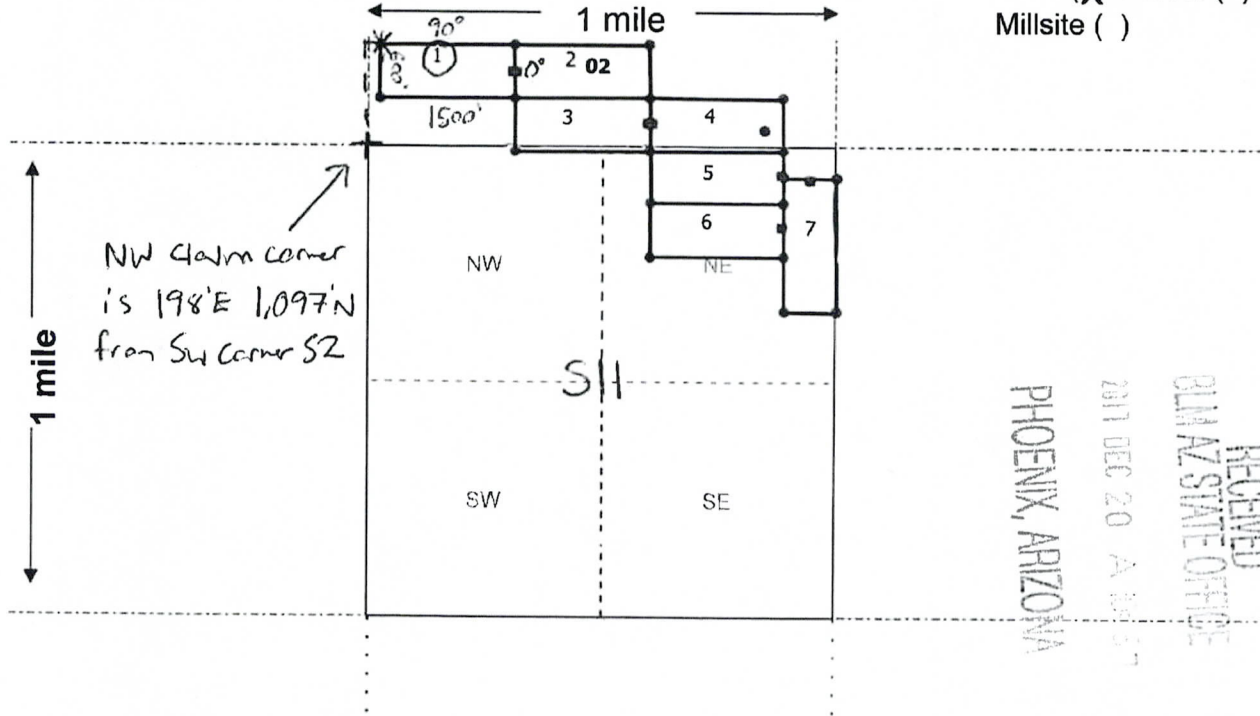


AMC 448199

S3

### MINING CLAIM MAP

Lode (X) Placer ( )  
Millsite ( )



Scale: 1" = 2000 feet



1. The above map depicts the GRMC 1 mining claim, which is located in Section (s) 2, Township 19 N, Range 20 W, Gila and Salt River Base and Meridian, Mohave County, Arizona. Total claim acreage is 20

2. The type of corner and location monuments used are as follows: 2"X2"X50" wooden posts with metal tags or rock monument

3. The bearings and distances in degrees and feet between claim corners and to a public land survey monument are as depicted on the map.

4. If the claim is a placer or millsite claim with exterior limits conforming to legal subdivisions of the public survey, provide a legal description of the claim \_\_\_\_\_

Form MCF100a  
Revised July 2014

This form is available from the **Arizona Geology Survey** and may be reproduced.

Gold Road Mining Corp.  
Suite 450, 1090 West Georgia Street  
Vancouver, BC V6E 3V7 Canada

LOCATION NOTICE FOR LODE MINING CLAIM

Amendment BLM Serial # \_\_\_\_\_

NOTICE IS HEREBY GIVEN that the GRMC 1

\_\_\_\_\_ lode mining claim has been located

by Gold Road Mining Corp. whose current mailing  
address is Suite 450, 1090 West Georgia Street  
Vancouver, BC V6E 3V7 Canada

RECEIVED  
BLM AZ STATE OFFICE  
2017 DEC 20 A 10:57  
PHOENIX, ARIZONA  
BLM  
Date  
Stamp

The general course of this claim is East-West and it is situated in Mohave  
County, Arizona. This claim is 1500 feet in length and 600 feet in width.

20 Total Claim Acreage. This claim runs from the location monument on which this location notice  
is posted on the centerline of the claim approximately 20 feet in a E direction to the E  
end line and 1480 feet in a W direction to the W end line. This claim is marked by six  
monuments, one at each corner and one at the center of each end line of the claim.

The location monument on which this notice is posted is situated within Section 2, Township 19  
N, Range 20 W, Gila Salt River Base and Meridian, Arizona and this claim encompasses portions  
of the following quarter section(s), section(s), Township(s) and Range(s) \_\_\_\_\_  
SW1/4 Sec.2 T19N R20W

Gila Salt River Base and Meridian, Arizona.

The locality of this claim with reference to some natural object or permanent monument and additional information  
(if any) concerning its locality are as follows: \_\_\_\_\_

198'E 1.097'N from SW corner Sec.2 T19N R20W

\_\_\_\_\_ The above information is shown on the attached map.

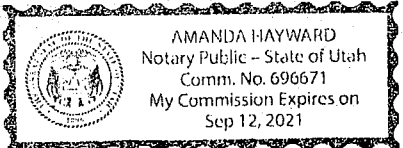
DATED AND POSTED on the ground this 18 day of October, 20 17.

LOCATOR(s)  AGENT  
Print Name(s) Stuart Burgess

Signature(s) \_\_\_\_\_

State of Utah  
County of Salt Lake

This instrument was signed and sworn to before me  
on 12/2/17 by Stuart Burgess  
(Name of signer)

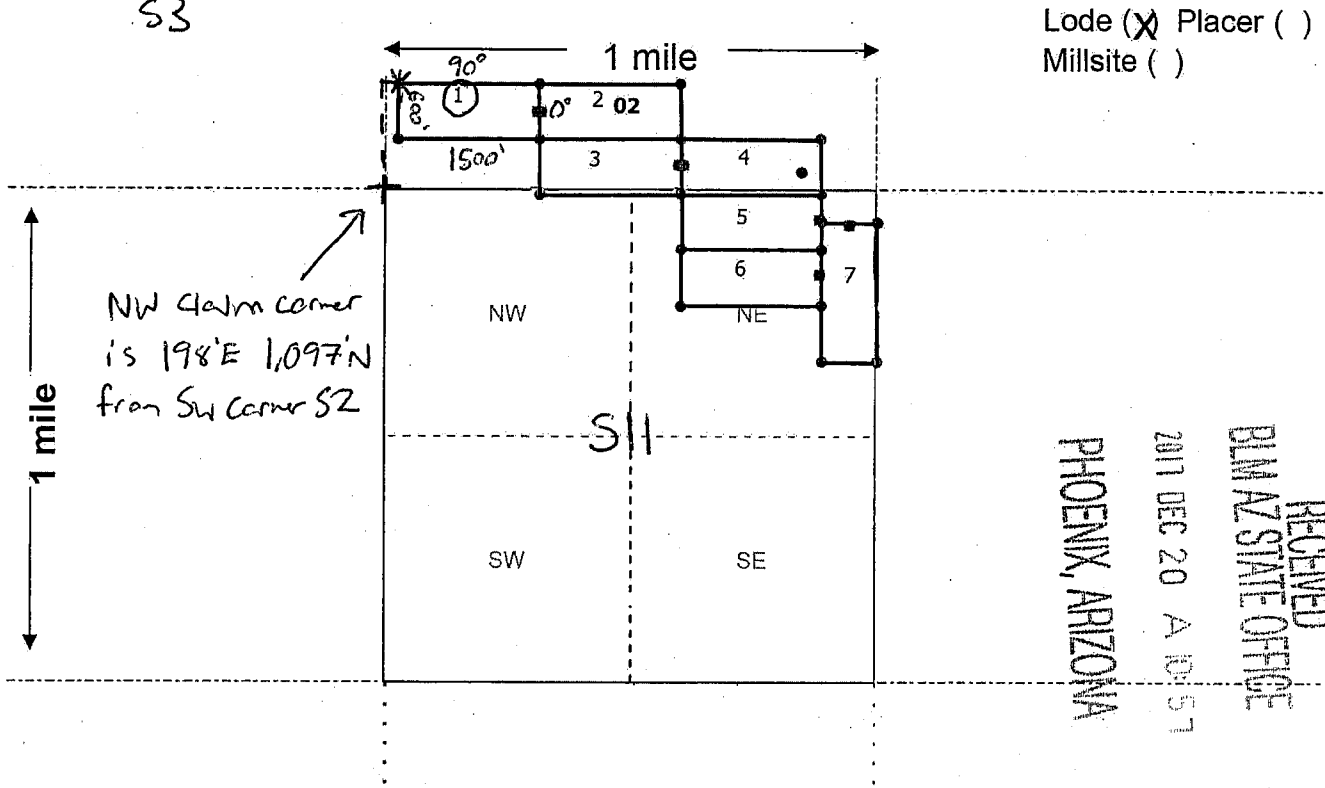


AH  
(Notary Signature)  
[Affix seal/stamp to the left or below]

AMC 448199

S3

### MINING CLAIM MAP



NW claim corner  
is 198°E 1,097'N  
from SW corner S2

RECEIVED  
BIA AZ STATE OFFICE  
2011 DEC 20 A 10:57  
PHOENIX, ARIZONA

AMC 48199

1. The above map depicts the GRMC 1 mining claim, which is located in Section (s) 2, Township 19 N, Range 20 W, Gila and Salt River Base and Meridian, Mohave County, Arizona. Total claim acreage is 20

2. The type of corner and location monuments used are as follows: 2"X2"X50" wooden posts with metal tags or rock monument

3. The bearings and distances in degrees and feet between claim corners and to a public land survey monument are as depicted on the map.

4. If the claim is a placer or millsite claim with exterior limits conforming to legal subdivisions of the public survey, provide a legal description of the claim \_\_\_\_\_

Form MCF100a  
Revised July 2014

2E.

Gold Road Mining Corp.  
Suite 450, 1090 West Georgia Street  
Vancouver, BC V6E 3V7 Canada

**FEE# 2017062188**

OFFICIAL RECORDS  
OF MOHAVE COUNTY  
KRISTI BLAIR,  
COUNTY RECORDER



12/26/2017 02:27 PM Fee: \$10.00

PAGE: 1 of 2

WHEN RECORDED MAIL TO (MC):

FENNEMORE CRAIG  
2394 EAST CAMELBACK RD  
SUITE 600  
PHOENIX AZ 85016

**LOCATION NOTICE FOR LODE MINING CLAIM**

Amendment BLM Serial # \_\_\_\_\_

NOTICE IS HEREBY GIVEN that the GRMC 2  
\_\_\_\_\_ lode mining claim has been located  
by Gold Road Mining Corp. whose current mailing  
address is Suite 450, 1090 West Georgia Street  
Vancouver, BC V6E 3V7 Canada

RECEIVED  
BLM AZ STATE OFFICE  
2017 DEC 20 A 10:57  
PHOENIX, ARIZONA

BLM  
Date  
Stamp

The general course of this claim is East-West and it is situated in Mohave  
County, Arizona. This claim is 1500 feet in length and 600 feet in width.

20 Total Claim Acreage. This claim runs from the location monument on which this location notice  
is posted on the centerline of the claim approximately 20 feet in a W direction to the W  
end line and 1480 feet in a E direction to the E end line. This claim is marked by six  
monuments, one at each corner and one at the center of each end line of the claim.

The location monument on which this notice is posted is situated within Section 2, Township 19  
N, Range 20 W, Gila Salt River Base and Meridian, Arizona and this claim encompasses portions  
of the following quarter section(s), section(s), Township(s) and Range(s) \_\_\_\_\_  
SW1/4, SE1/4 Sec.2 T19N R20W

Gila Salt River Base and Meridian, Arizona.

The locality of this claim with reference to some natural object or permanent monument and additional information  
(if any) concerning its locality are as follows: \_\_\_\_\_

1,692'E 1,104'N from SW corner Sec.2 T19N R20W to NW claim corner

The above information is shown on the attached map.

DATED AND POSTED on the ground this 18 day of October, 2017.

LOCATOR(s)  AGENT

Print Name(s) Stuart Burgess

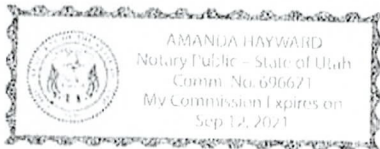
Signature(s) \_\_\_\_\_

State of Utah  
County of Salt Lake

This instrument was signed and sworn to before me  
on 12/2/17 by Stuart Burgess  
(Name of signer)

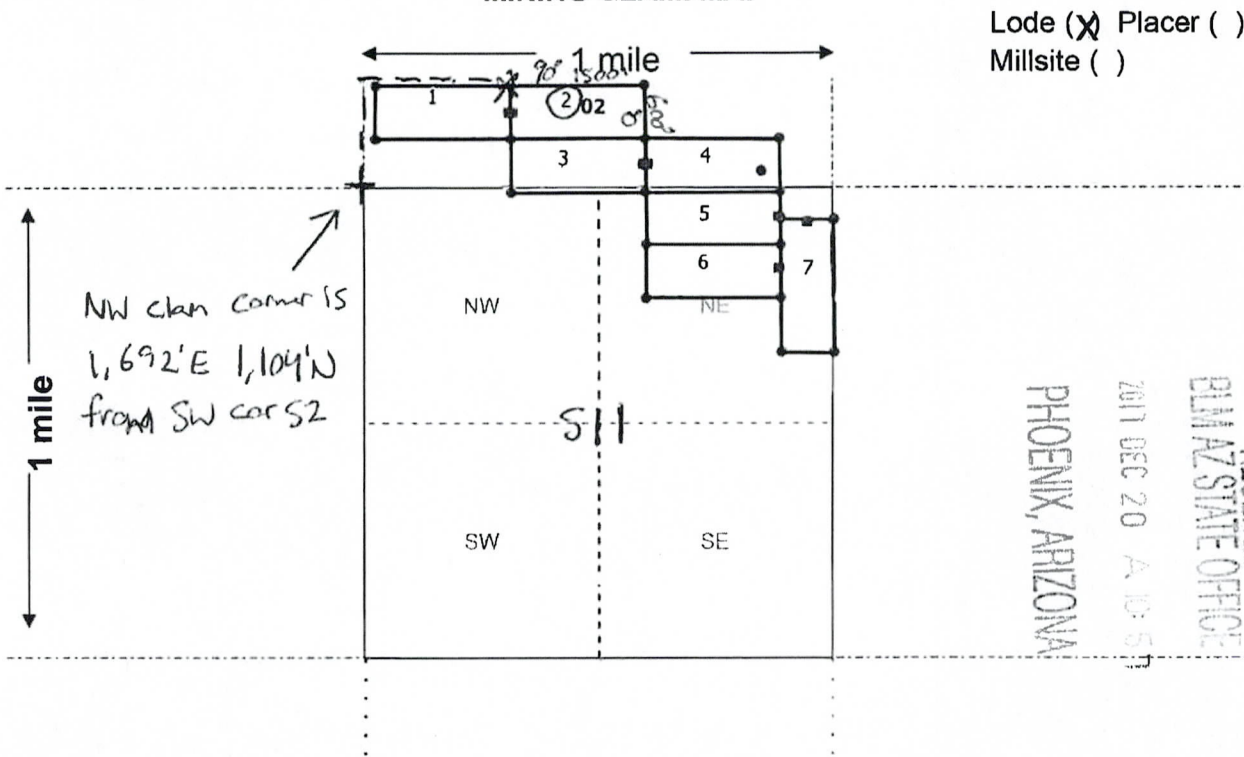
AKH  
(Notary Signature)

[Affix seal/stamp to the left or below]



AMC448200

**MINING CLAIM MAP**



Lode (X) Placer ( )  
Millsite ( )

NW claim corner is  
1,692' E 1,104' N  
from SW cor S2

RECEIVED  
BIA AZ STATE OFFICE  
2017 DEC 20 A. 10:57  
PHOENIX, ARIZONA

Scale: 1" = 2000 feet



1. The above map depicts the GRMC 2 mining claim, which is located in Section (s) 2, Township 19 N, Range 20 W, Gila and Salt River Base and Meridian, Mohave County, Arizona. Total claim acreage is 20

2. The type of corner and location monuments used are as follows: 2"X2"X50" wooden posts with metal tags or rock monument

3. The bearings and distances in degrees and feet between claim corners and to a public land survey monument are as depicted on the map.

4. If the claim is a placer or millsite claim with exterior limits conforming to legal subdivisions of the public survey, provide a legal description of the claim \_\_\_\_\_

Form MCF100a  
Revised July 2014

This form is available from the Arizona Geology Survey and may be reproduced.

AMC 448200

Gold Road Mining Corp.  
Suite 450, 1090 West Georgia Street  
Vancouver, BC V6E 3V7 Canada

**LOCATION NOTICE FOR LODE MINING CLAIM**

Amendment BLM Serial # \_\_\_\_\_

NOTICE IS HEREBY GIVEN that the GRMC 2

\_\_\_\_\_ lode mining claim has been located  
by Gold Road Mining Corp. whose current mailing  
address is Suite 450, 1090 West Georgia Street  
Vancouver, BC V6E 3V7 Canada

RECEIVED  
BLM STATE OFFICE  
2017 DEC 20 A 10:57  
PHOENIX, ARIZONA  
BLM  
Date  
Stamp

The general course of this claim is East-West and it is situated in Mohave  
County, Arizona. This claim is 1500 feet in length and 600 feet in width.

20 Total Claim Acreage. This claim runs from the location monument on which this location notice  
is posted on the centerline of the claim approximately 20 feet in a W direction to the W  
end line and 1480 feet in a E direction to the E end line. This claim is marked by six  
monuments, one at each corner and one at the center of each end line of the claim.

The location monument on which this notice is posted is situated within Section 2, Township 19  
N, Range 20 W, Gila Salt River Base and Meridian, Arizona and this claim encompasses portions  
of the following quarter section(s), section(s), Township(s) and Range(s) \_\_\_\_\_  
SW1/4, SE1/4 Sec.2 T19N R20W

Gila Salt River Base and Meridian, Arizona.

The locality of this claim with reference to some natural object or permanent monument and additional information  
(if any) concerning its locality are as follows: \_\_\_\_\_

1,692'E 1,104'N from SW corner Sec.2 T19N R20W to NW claim corner

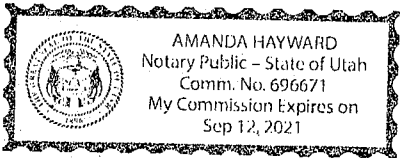
\_\_\_\_\_ The above information is shown on the attached map.

DATED AND POSTED on the ground this 18 day of October, 2017.

LOCATOR(s)  AGENT  
Print Name(s) Stuart Burgess  
Signature(s) \_\_\_\_\_

State of Utah  
County of Salt Lake

This instrument was signed and sworn to before me  
on 12/2/17 by Stuart Burgess  
(Name of signer)

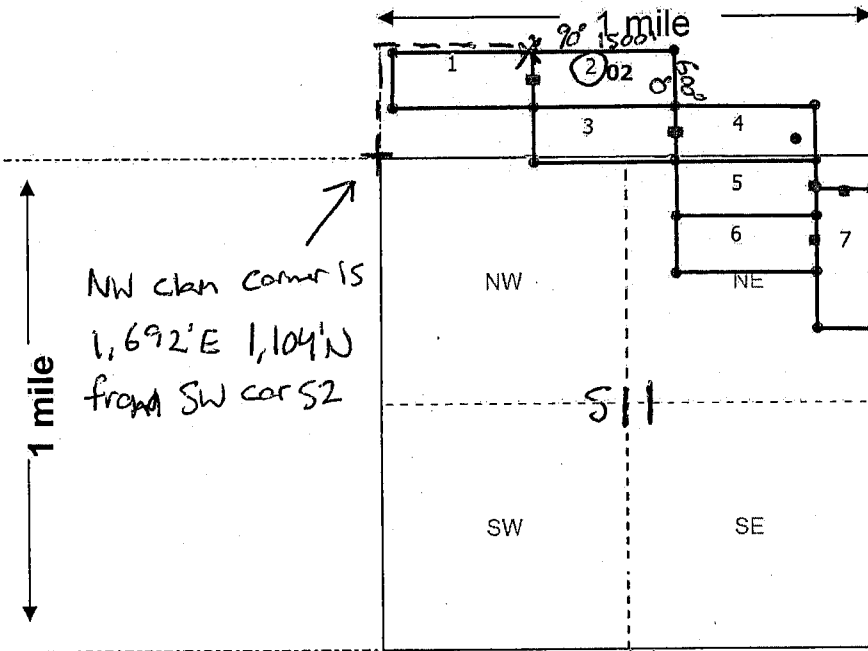


AMH  
(Notary Signature)  
[Affix seal/stamp to the left or below]

AMC448200

**MINING CLAIM MAP**

Lode (X) Placer ( )  
Millsite ( )



RECEIVED  
 BLM AZ STATE OFFICE  
 2011 DEC 20 A 10:57  
 PHOENIX, ARIZONA

Scale: 1" = 2000 feet



1. The above map depicts the GRMC 2 mining claim, which is located in Section (s) 2, Township 19 N, Range 20 W, Gila and Salt River Base and Meridian, Mohave County, Arizona. Total claim acreage is 20

2. The type of corner and location monuments used are as follows: 2"X2"X50" wooden posts with metal tags or rock monument

3. The bearings and distances in degrees and feet between claim corners and to a public land survey monument are as depicted on the map.

4. If the claim is a placer or millsite claim with exterior limits conforming to legal subdivisions of the public survey, provide a legal description of the claim \_\_\_\_\_

Form MCF100a  
Revised July 2014

This form is available from the Arizona Geology Survey and may be reproduced.

AMC 448200



2E

Gold Road Mining Corp.  
Suite 450, 1090 West Georgia Street  
Vancouver, BC V6E 3V7 Canada

**FEE# 2017062189**

OFFICIAL RECORDS  
OF MOHAVE COUNTY  
KRISTI BLAIR,  
COUNTY RECORDER



12/26/2017 02:27 PM Fee: \$10.00

PAGE: 1 of 2

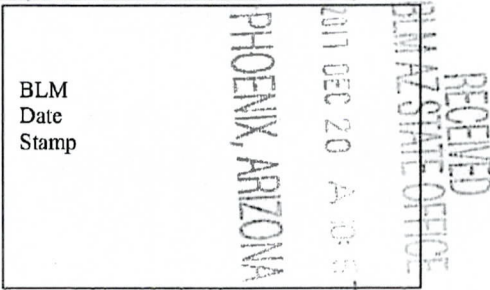
WHEN RECORDED MAIL TO (MC):

FENNEMORE CRAIG  
2394 EAST CAMELBACK RD  
SUITE 600  
PHOENIX AZ 85016

**LOCATION NOTICE FOR LODE MINING CLAIM**

Amendment BLM Serial # \_\_\_\_\_

NOTICE IS HEREBY GIVEN that the GRMC 3  
\_\_\_\_\_ lode mining claim has been located  
by Gold Road Mining Corp. whose current mailing  
address is Suite 450, 1090 West Georgia Street  
Vancouver, BC V6E 3V7 Canada



The general course of this claim is East-West and it is situated in Mohave  
County, Arizona. This claim is 1500 feet in length and 600 feet in width.

20 Total Claim Acreage. This claim runs from the location monument on which this location notice  
is posted on the centerline of the claim approximately 20 feet in a E direction to the E  
end line and 1480 feet in a W direction to the W end line. This claim is marked by six  
monuments, one at each corner and one at the center of each end line of the claim.

The location monument on which this notice is posted is situated within Section 2, Township 19  
N, Range 20 W, Gila Salt River Base and Meridian, Arizona and this claim encompasses portions  
of the following quarter section(s), section(s), Township(s) and Range(s) \_\_\_\_\_  
SW1/4, SE1/4 Sec.2, NW1/4, NE1/4 Sec.11 T19N R20W

Gila Salt River Base and Meridian, Arizona.

The locality of this claim with reference to some natural object or permanent monument and additional information  
(if any) concerning its locality are as follows: \_\_\_\_\_  
1,693'E 516'N from SW corner Sec.2 T19N R20W to NW claim corner

\_\_\_\_\_ The above information is shown on the attached map.

DATED AND POSTED on the ground this 18 day of October, 20 17.

LOCATOR(s)  AGENT

Print Name(s) Stuart Burgess

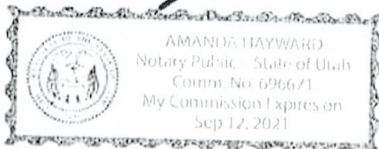
Signature(s) \_\_\_\_\_

State of Utah Salt Lake  
County of \_\_\_\_\_

This instrument was signed and sworn to before me  
on 12/2/17 by Stuart Burgess  
(Name of signer)

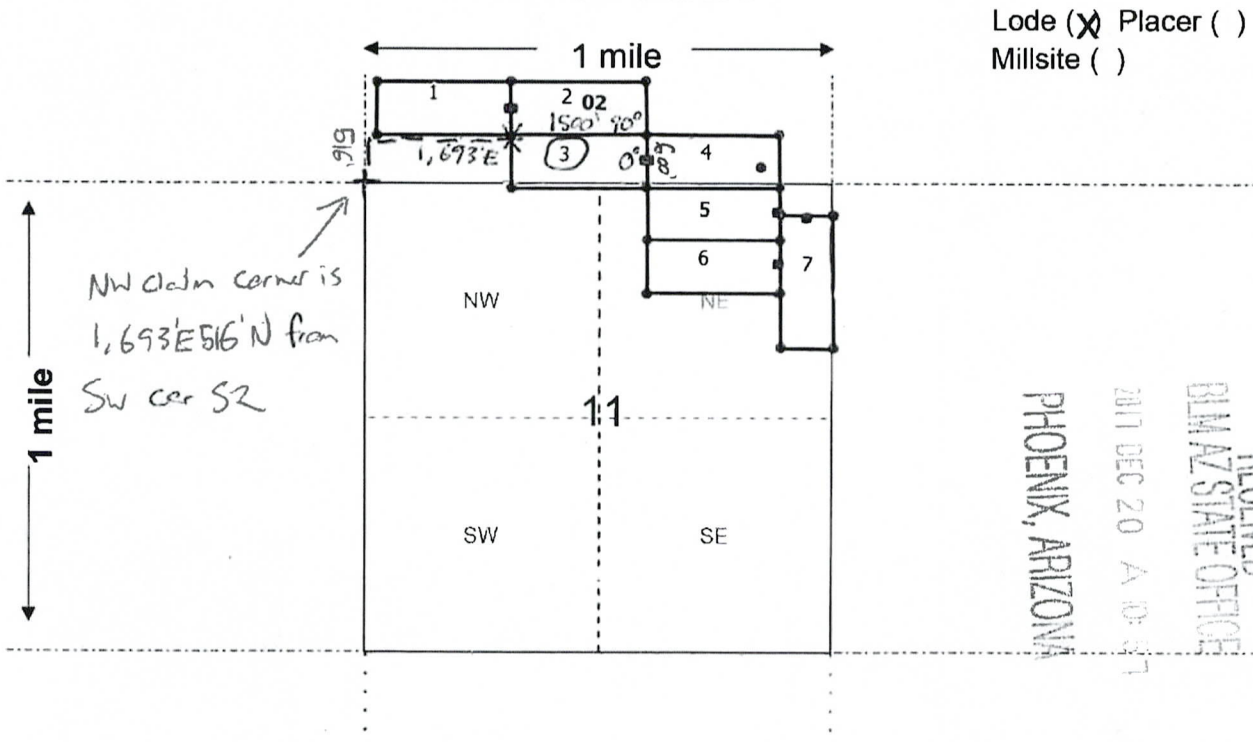
AKH  
(Notary Signature)

[Affix seal/stamp to the left or below]



AMC448201

**MINING CLAIM MAP**



Lode (X) Placer ( )  
Millsite ( )

NW claim corner is  
1,693'E 516' N from  
SW cor S2

RECEIVED  
BLM AZ STATE OFFICE  
2017 DEC 20 A 10:57  
PHOENIX, ARIZONA

AMC 448201

Scale: 1" = 2000 feet



- The above map depicts the GRMC 3 mining claim, which is located in Section (s) 2, 11, Township 19 N, Range 20 W, Gila and Salt River Base and Meridian, Mohave County, Arizona. Total claim acreage is 20
- The type of corner and location monuments used are as follows: 2"X2"X50" wooden posts with metal tags or rock monument
- The bearings and distances in degrees and feet between claim corners and to a public land survey monument are as depicted on the map.
- If the claim is a placer or millsite claim with exterior limits conforming to legal subdivisions of the public survey, provide a legal description of the claim \_\_\_\_\_

Form MCF100a  
Revised July 2014

This form is available from the **Arizona Geology Survey** and may be reproduced.

Gold Road Mining Corp.  
Suite 450, 1090 West Georgia Street  
Vancouver, BC V6E 3V7 Canada

**LOCATION NOTICE FOR LODE MINING CLAIM**

Amendment BLM Serial # \_\_\_\_\_

NOTICE IS HEREBY GIVEN that the GRMC 3  
\_\_\_\_\_ lode mining claim has been located  
by Gold Road Mining Corp. whose current mailing  
address is Suite 450, 1090 West Georgia Street  
Vancouver, BC V6E 3V7 Canada

RECEIVED  
BLM AZ STATE OFFICE  
2017 DEC 20 A 10:51  
PHOENIX, ARIZONA  
BLM  
Date  
Stamp

The general course of this claim is East-West and it is situated in Mohave  
County, Arizona. This claim is 1500 feet in length and 600 feet in width.

20 Total Claim Acreage. This claim runs from the location monument on which this location notice  
is posted on the centerline of the claim approximately 20 feet in a E direction to the E  
end line and 1480 feet in a W direction to the W end line. This claim is marked by six  
monuments, one at each corner and one at the center of each end line of the claim.

The location monument on which this notice is posted is situated within Section 2, Township 19  
N, Range 20 W, Gila Salt River Base and Meridian, Arizona and this claim encompasses portions  
of the following quarter section(s), section(s), Township(s) and Range(s) \_\_\_\_\_  
SW1/4, SE1/4 Sec.2, NW1/4, NE1/4 Sec.11 T19N R20W

Gila Salt River Base and Meridian, Arizona.

The locality of this claim with reference to some natural object or permanent monument and additional information  
(if any) concerning its locality are as follows: \_\_\_\_\_

1,693'E 516'N from SW corner Sec.2 T19N R20W to NW claim corner

\_\_\_\_\_ The above information is shown on the attached map.

DATED AND POSTED on the ground this 18 day of October, 2017.

LOCATOR(s)  AGENT

Print Name(s) Stuart Burgess

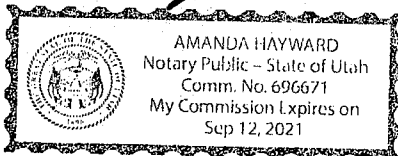
Signature(s) \_\_\_\_\_

State of Utah  
County of Salt Lake

This instrument was signed and sworn to before me  
on 12/2/17 by Stuart Burgess  
(Name of signer)

ASH  
(Notary Signature)

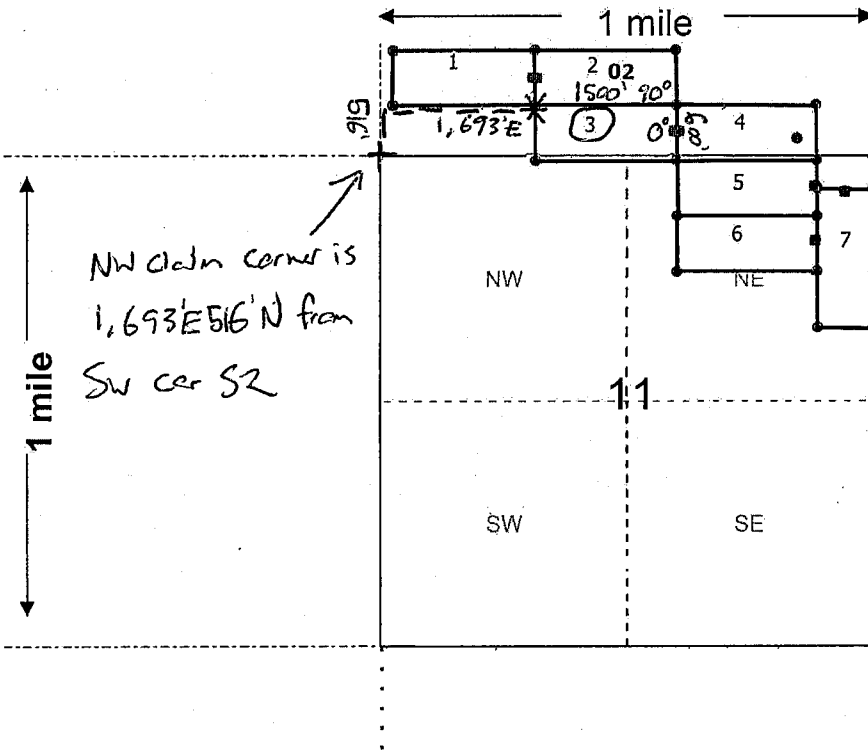
[Affix seal/stamp to the left or below]



AMC448201

**MINING CLAIM MAP**

Lode (X) Placer ( )  
Millsite ( )



NW claim corner is  
1,693'E 516'N from  
SW cor S2

RECEIVED  
 BLM AZ STATE OFFICE  
 PHOENIX, ARIZONA  
 2017 DEC 20 A 10:57

Scale: 1" = 2000 feet



1. The above map depicts the GRMC 3 mining claim, which is located in Section (s) 2,11, Township 19 N, Range 20 W, Gila and Salt River Base and Meridian, Mohave County, Arizona. Total claim acreage is 20

2. The type of corner and location monuments used are as follows: 2"X2"X50" wooden posts with metal tags or rock monument

3. The bearings and distances in degrees and feet between claim corners and to a public land survey monument are as depicted on the map.

4. If the claim is a placer or millsite claim with exterior limits conforming to legal subdivisions of the public survey, provide a legal description of the claim \_\_\_\_\_

Form MCF100a  
Revised July 2014

This form is available from the Arizona Geology Survey and may be reproduced.

AMC 448201

2F

Gold Road Mining Corp.  
Suite 450, 1090 West Georgia Street  
Vancouver, BC V6E 3V7 Canada

**FEE# 2017062190**

OFFICIAL RECORDS  
OF MOHAVE COUNTY  
KRISTI BLAIR,  
COUNTY RECORDER



12/26/2017 02:27 PM Fee: \$10.00

PAGE: 1 of 2

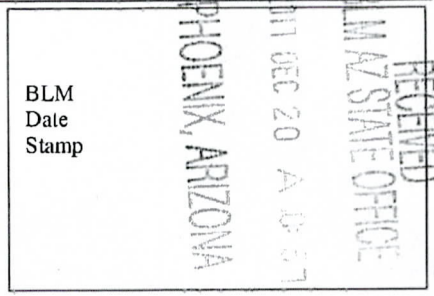
WHEN RECORDED MAIL TO (MC):

FENNEMORE CRAIG  
2394 EAST CAMELBACK RD  
SUITE 600  
PHOENIX AZ 85016

**LOCATION NOTICE FOR LODE MINING CLAIM**

Amendment BLM Serial # \_\_\_\_\_

NOTICE IS HEREBY GIVEN that the GRMC 4  
\_\_\_\_\_ lode mining claim has been located  
by Gold Road Mining Corp. whose current mailing  
address is Suite 450, 1090 West Georgia Street  
Vancouver, BC V6E 3V7 Canada



The general course of this claim is East-West and it is situated in Mohave  
County, Arizona. This claim is 1500 feet in length and 600 feet in width.

20 Total Claim Acreage. This claim runs from the location monument on which this location notice  
is posted on the centerline of the claim approximately 20 feet in a W direction to the W  
end line and 1480 feet in a E direction to the E end line. This claim is marked by six  
monuments, one at each corner and one at the center of each end line of the claim.

The location monument on which this notice is posted is situated within Section 2, Township 19  
N, Range 20 W, Gila Salt River Base and Meridian, Arizona and this claim encompasses portions  
of the following quarter section(s), section(s), Township(s) and Range(s) \_\_\_\_\_  
SE1/4 Sec.2, NE1/4 Sec.11 T19N R20W

Gila Salt River Base and Meridian, Arizona.

The locality of this claim with reference to some natural object or permanent monument and additional information  
(if any) concerning its locality are as follows: \_\_\_\_\_

2,079W 523'N from SE corner Sec.2 T19N R20W to NW claim corner

\_\_\_\_\_ The above information is shown on the attached map.

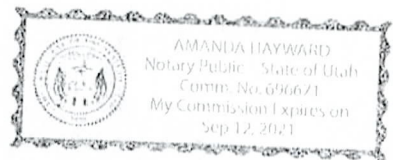
DATED AND POSTED on the ground this 18 day of October, 20 17.

LOCATOR(s)  AGENT  
Print Name(s) Stuart Burgess  
Signature(s) \_\_\_\_\_

State of Utah  
County of Salt Lake

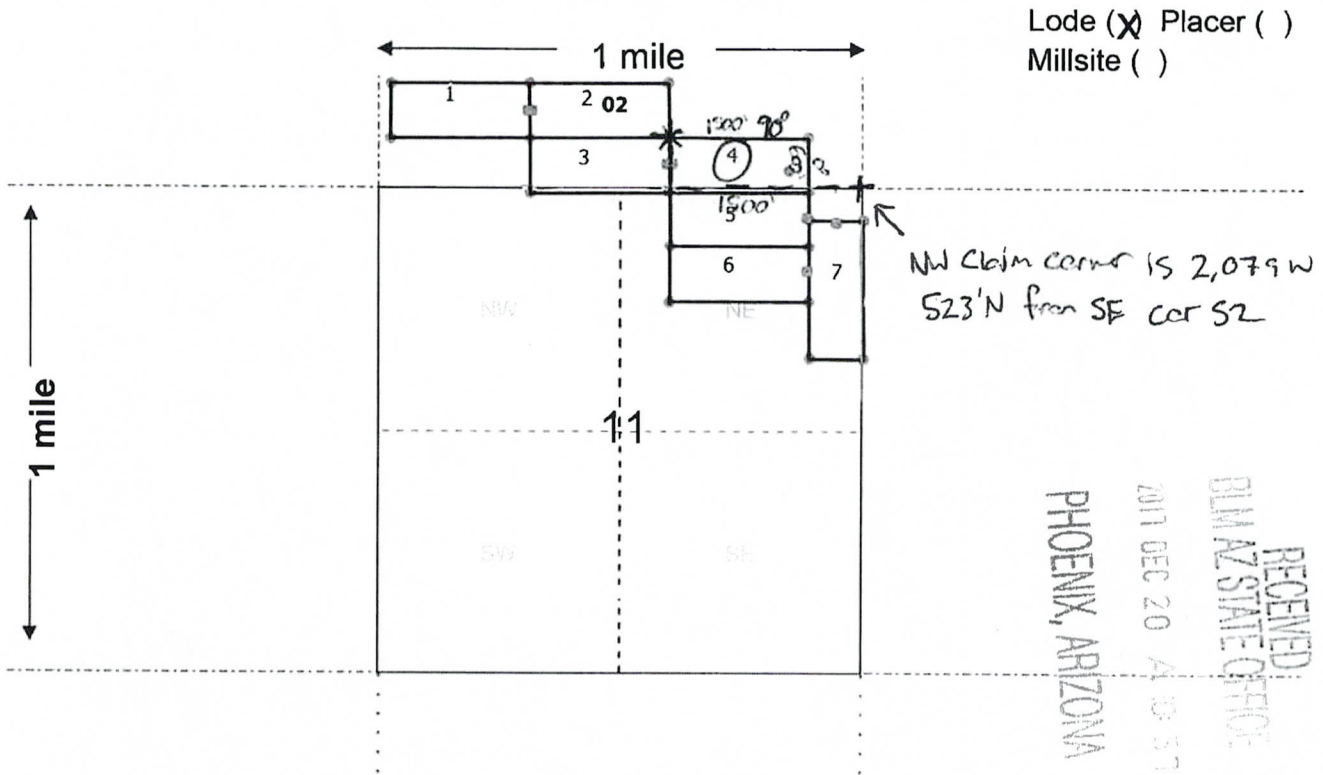
This instrument was signed and sworn to before me  
on 12/2/17 by Stuart Burgess  
(Name of signer)

\_\_\_\_\_  
(Notary Signature)  
[Affix seal/stamp to the left or below]



AMC448202

**MINING CLAIM MAP**



Lode (X) Placer ( )  
Millsite ( )

NW claim corner is 2,079 W  
523' N from SE cor S2

RECEIVED  
 BLM AZ STATE OFFICE  
 2011 DEC 20 AM 10:57  
 PHOENIX, ARIZONA

Scale: 1" = 2000 feet

1. The above map depicts the GRMC 4 mining claim, which is located in Section (s) 2, 11, Township 19 N, Range 20 W, Gila and Salt River Base and Meridian, Mohave County, Arizona. Total claim acreage is 20

2. The type of corner and location monuments used are as follows: 2"X2"X50" wooden posts with metal tags or rock monument

3. The bearings and distances in degrees and feet between claim corners and to a public land survey monument are as depicted on the map.

4. If the claim is a placer or millsite claim with exterior limits conforming to legal subdivisions of the public survey, provide a legal description of the claim \_\_\_\_\_

AMC 448202

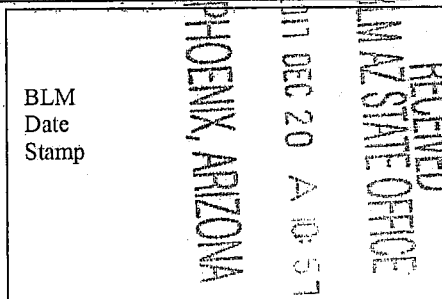
Form MCF100a  
Revised July 2014

Gold Road Mining Corp.  
Suite 450, 1090 West Georgia Street  
Vancouver, BC V6E 3V7 Canada

**LOCATION NOTICE FOR LODE MINING CLAIM**

Amendment BLM Serial # \_\_\_\_\_

NOTICE IS HEREBY GIVEN that the GRMC 4  
\_\_\_\_\_ lode mining claim has been located  
by Gold Road Mining Corp. whose current mailing  
address is Suite 450, 1090 West Georgia Street  
Vancouver, BC V6E 3V7 Canada



The general course of this claim is East-West and it is situated in Mohave  
County, Arizona. This claim is 1500 feet in length and 600 feet in width.

20 Total Claim Acreage. This claim runs from the location monument on which this location notice  
is posted on the centerline of the claim approximately 20 feet in a W direction to the W  
end line and 1480 feet in a E direction to the E end line. This claim is marked by six  
monuments, one at each corner and one at the center of each end line of the claim.

The location monument on which this notice is posted is situated within Section 2, Township 19  
N, Range 20 W, Gila Salt River Base and Meridian, Arizona and this claim encompasses portions  
of the following quarter section(s), section(s), Township(s) and Range(s) \_\_\_\_\_  
SE1/4 Sec.2, NE1/4 Sec.11 T19N R20W

Gila Salt River Base and Meridian, Arizona.

The locality of this claim with reference to some natural object or permanent monument and additional information  
(if any) concerning its locality are as follows: \_\_\_\_\_

2,079W 523'N from SE corner Sec.2 T19N R20W to NW claim corner

\_\_\_\_\_ The above information is shown on the attached map.

DATED AND POSTED on the ground this 18 day of October, 2017.

LOCATOR(s)  AGENT

Print Name(s) Stuart Burgess

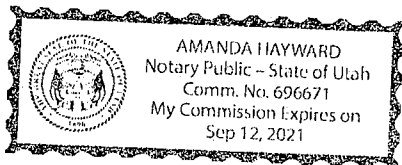
Signature(s) \_\_\_\_\_

State of Utah Salt Lake  
County of \_\_\_\_\_

This instrument was signed and sworn to before me  
on 12/2/17 by Stuart Burgess  
(Name of signer)

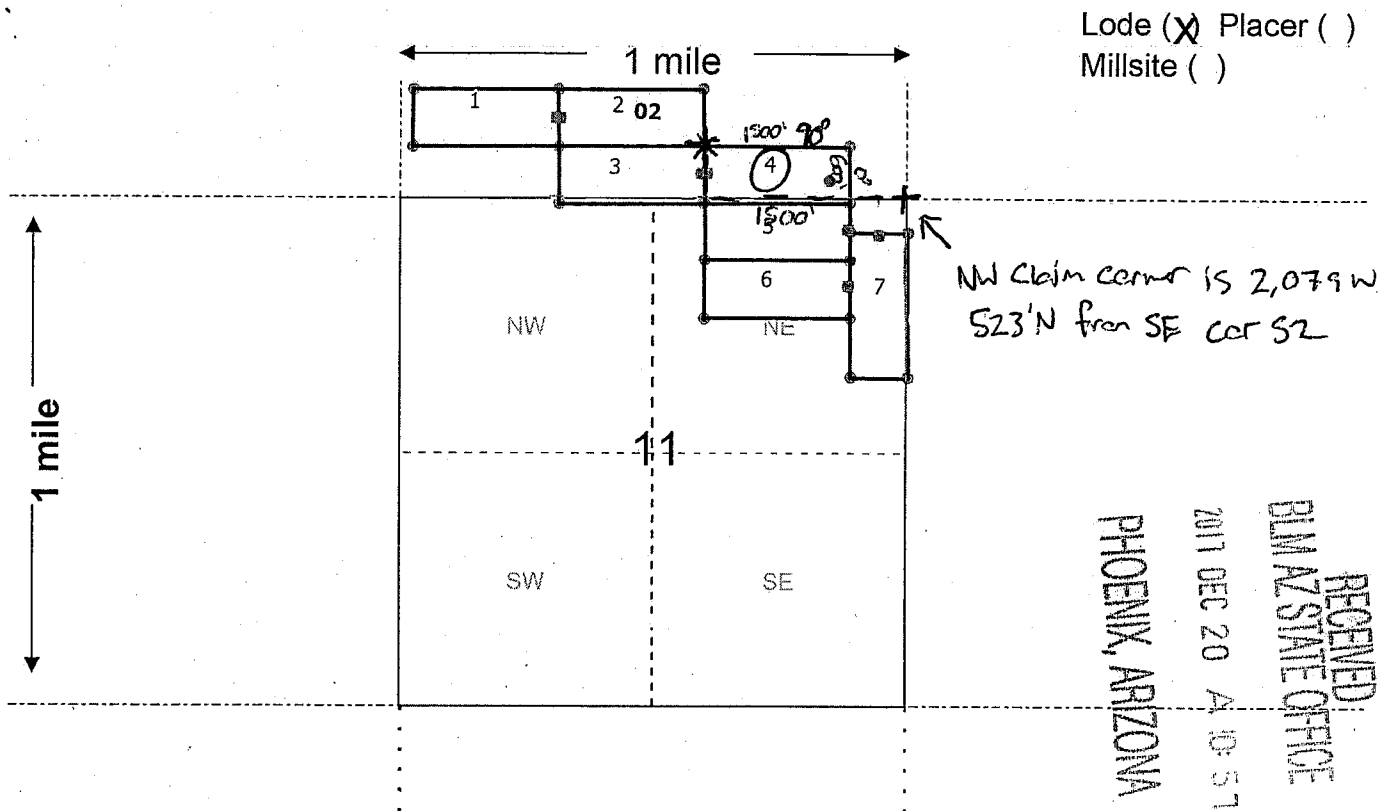
ASH  
\_\_\_\_\_  
(Notary Signature)

[Affix seal/stamp to the left or below]



AMC448202

**MINING CLAIM MAP**



Scale: 1" = 2000 feet

1. The above map depicts the GRMC 4 mining claim, which is located in Section (s) 2,11, Township 19 N, Range 20 W, Gila and Salt River Base and Meridian, Mohave County, Arizona. Total claim acreage is 20

2. The type of corner and location monuments used are as follows: 2"X2"X50" wooden posts with metal tags or rock monument

3. The bearings and distances in degrees and feet between claim corners and to a public land survey monument are as depicted on the map.

4. If the claim is a placer or millsite claim with exterior limits conforming to legal subdivisions of the public survey, provide a legal description of the claim \_\_\_\_\_

Form MCF100a  
Revised July 2014

This form is available from the Arizona Geology Survey and may be reproduced.

AMC 448202



2E

Gold Road Mining Corp.  
Suite 450, 1090 West Georgia Street  
Vancouver, BC V6E 3V7 Canada

FEE# 2017062191

OFFICIAL RECORDS  
OF MOHAVE COUNTY  
KRISTI BLAIR,  
COUNTY RECORDER



12/26/2017 02:27 PM Fee: \$10.00

PAGE: 1 of 2

WHEN RECORDED MAIL TO (MC):

FENNEMORE CRAIG  
2394 EAST CAMELBACK RD  
SUITE 600  
PHOENIX AZ 85016

**LOCATION NOTICE FOR LODE MINING CLAIM**

Amendment BLM Serial # \_\_\_\_\_

NOTICE IS HEREBY GIVEN that the GRMC 5

\_\_\_\_\_ lode mining claim has been located  
by Gold Road Mining Corp. whose current mailing  
address is Suite 450, 1090 West Georgia Street  
Vancouver, BC V6E 3V7 Canada



BLM  
Date  
Stamp

The general course of this claim is East-West and it is situated in Mohave  
County, Arizona. This claim is 1500 feet in length and 600 feet in width.

20 Total Claim Acreage. This claim runs from the location monument on which this location notice  
is posted on the centerline of the claim approximately 20 feet in a E direction to the E  
end line and 1480 feet in a W direction to the W end line. This claim is marked by six  
monuments, one at each corner and one at the center of each end line of the claim.

The location monument on which this notice is posted is situated within Section 11, Township 19  
N, Range 20 W, Gila Salt River Base and Meridian, Arizona and this claim encompasses portions  
of the following quarter section(s), section(s), Township(s) and Range(s) \_\_\_\_\_  
NE1/4 Sec.11 T19N R20W

Gila Salt River Base and Meridian, Arizona.

The locality of this claim with reference to some natural object or permanent monument and additional information  
(if any) concerning its locality are as follows: \_\_\_\_\_  
2,082'W 58'S from NE corner Sec.11 T19N R20W to NW claim corner

\_\_\_\_\_ The above information is shown on the attached map.

DATED AND POSTED on the ground this 18 day of October, 2017.

LOCATOR(s)  AGENT

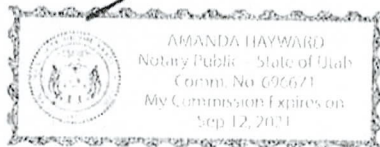
Print Name(s) Stuart Burgess

Signature(s) \_\_\_\_\_

State of Utah  
County of Salt Lake

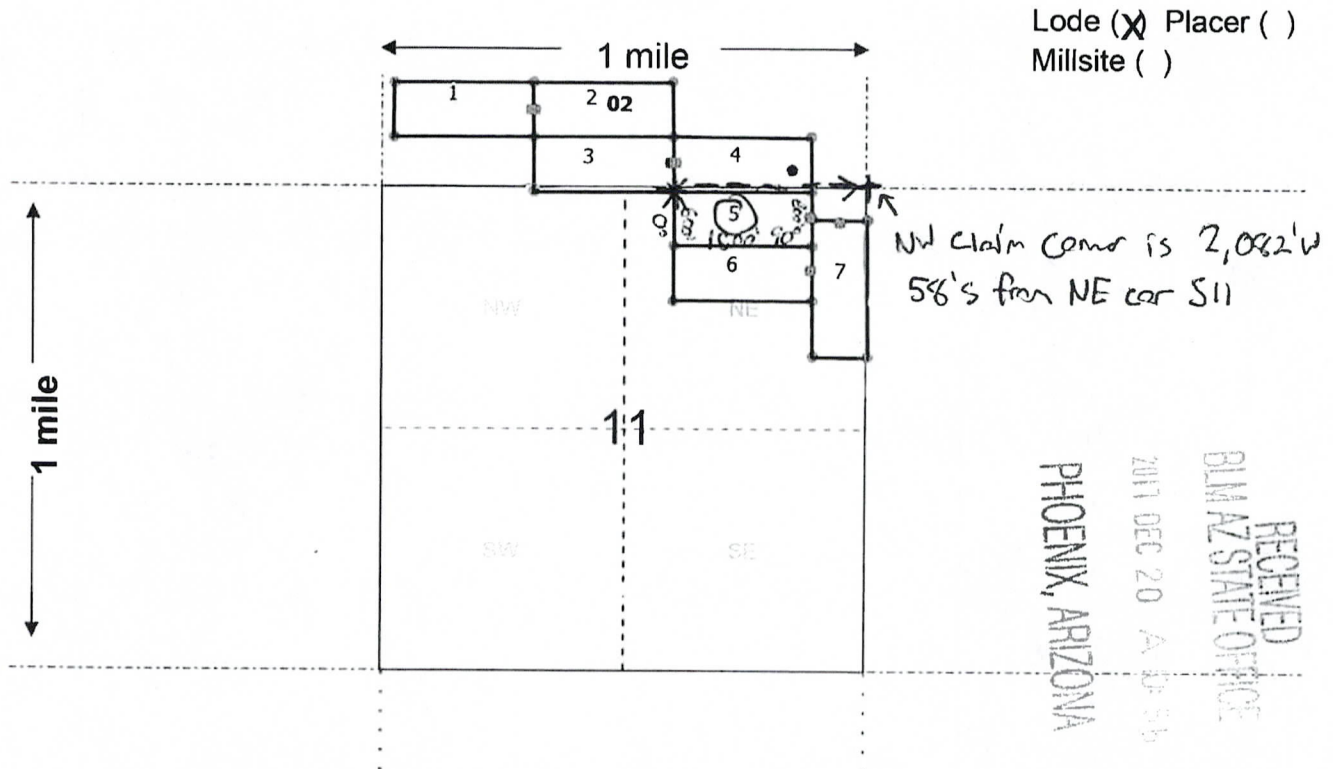
This instrument was signed and sworn to before me  
on 12/2/17 by Stuart Burgess  
(Name of signer)

AmH  
(Notary Signature)  
[Affix seal/stamp to the left or below]



AMC448203

**MINING CLAIM MAP**



AMC448203

1. The above map depicts the GRMC 5 mining claim, which is located in Section (s) 11, Township 19 N, Range 20 W, Gila and Salt River Base and Meridian, Mohave County, Arizona. Total claim acreage is 20
2. The type of corner and location monuments used are as follows: 2"X2"X50" wooden posts with metal tags or rock monument
3. The bearings and distances in degrees and feet between claim corners and to a public land survey monument are as depicted on the map.
4. If the claim is a placer or millsite claim with exterior limits conforming to legal subdivisions of the public survey, provide a legal description of the claim \_\_\_\_\_

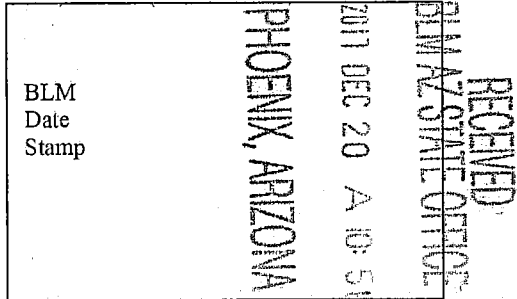
Form MCF100a  
Revised July 2014

Gold Road Mining Corp.  
Suite 450, 1090 West Georgia Street  
Vancouver, BC V6E 3V7 Canada

**LOCATION NOTICE FOR LODE MINING CLAIM**

Amendment BLM Serial # \_\_\_\_\_

NOTICE IS HEREBY GIVEN that the GRMC 5  
\_\_\_\_\_ lode mining claim has been located  
by Gold Road Mining Corp. whose current mailing  
address is Suite 450, 1090 West Georgia Street  
Vancouver, BC V6E 3V7 Canada



The general course of this claim is East-West and it is situated in Mohave  
County, Arizona. This claim is 1500 feet in length and 600 feet in width.

20 Total Claim Acreage. This claim runs from the location monument on which this location notice  
is posted on the centerline of the claim approximately 20 feet in a E direction to the E  
end line and 1480 feet in a W direction to the W end line. This claim is marked by six  
monuments, one at each corner and one at the center of each end line of the claim.

The location monument on which this notice is posted is situated within Section 11, Township 19  
N, Range 20 W, Gila Salt River Base and Meridian, Arizona and this claim encompasses portions  
of the following quarter section(s), section(s), Township(s) and Range(s) \_\_\_\_\_  
NE1/4 Sec.11 T19N R20W

Gila Salt River Base and Meridian, Arizona.

The locality of this claim with reference to some natural object or permanent monument and additional information  
(if any) concerning its locality are as follows: \_\_\_\_\_  
2,082'W 58'S from NE corner Sec.11 T19N R20W to NW claim corner

\_\_\_\_\_ The above information is shown on the attached map.  
DATED AND POSTED on the ground this 18 day of October, 2017.

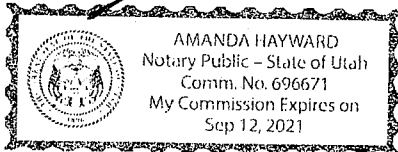
LOCATOR(s)  AGENT

Print Name(s) Stuart Burgess

Signature(s) \_\_\_\_\_

State of Utah Salt Lake  
County of \_\_\_\_\_

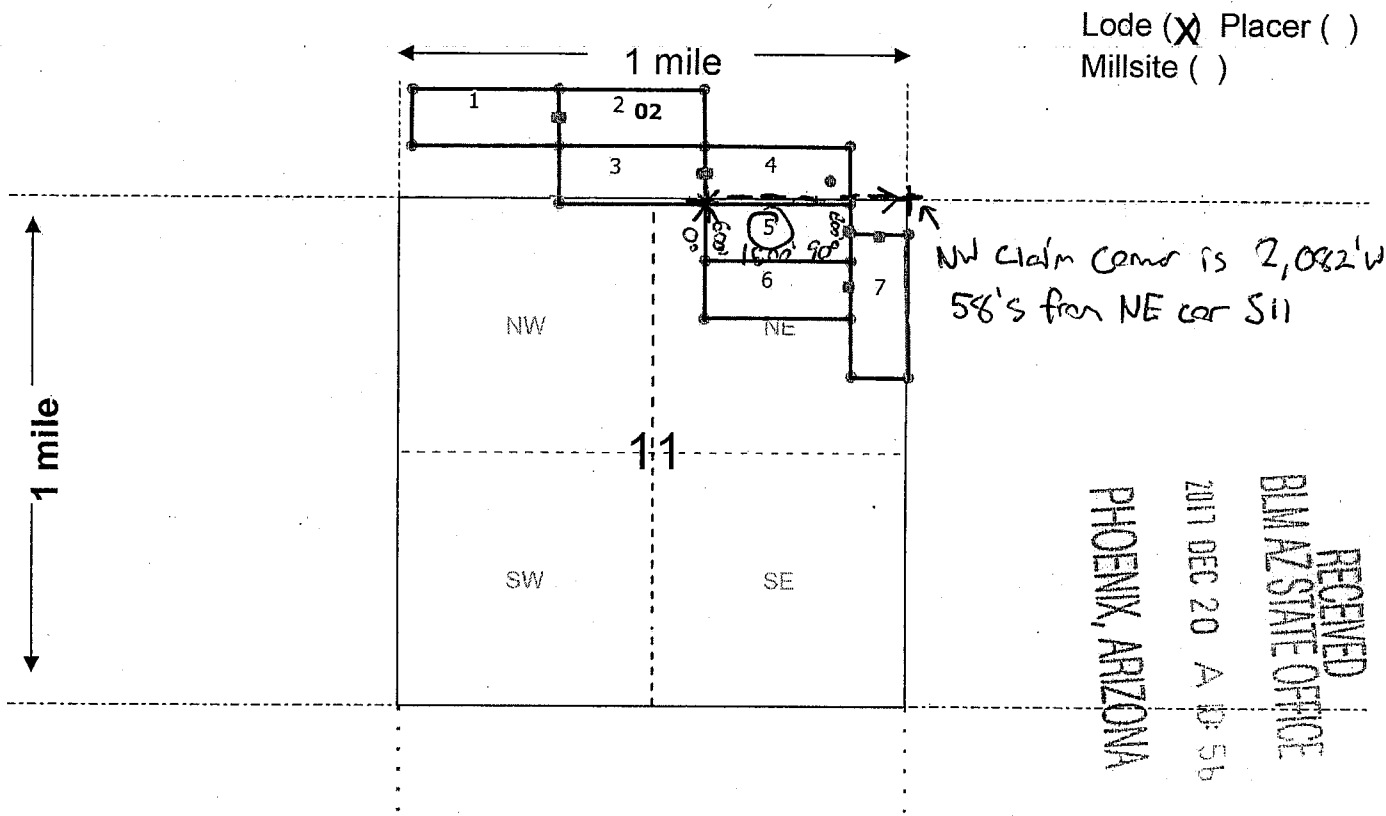
This instrument was signed and sworn to before me  
on 12/2/17 by Stuart Burgess  
(Name of signer)



AH  
(Notary Signature)  
[Affix seal/stamp to the left or below]

AMC448203

**MINING CLAIM MAP**



Lode (X) Placer ( )  
Millsite ( )

NW claim corner is 2,082' W  
58' S from NE cor S11

RECEIVED  
BIAZ STATE OFFICE  
2017 DEC 20 A 10:56  
PHOENIX, ARIZONA

AMC 448203

Scale: 1" = 2000 feet

1. The above map depicts the GRMC 5 mining claim, which is located in Section (s) 11, Township 19 N, Range 20 W, Gila and Salt River Base and Meridian, Mohave County, Arizona. Total claim acreage is 20

2. The type of corner and location monuments used are as follows: 2"X2"X50" wooden posts with metal tags or rock monument

3. The bearings and distances in degrees and feet between claim corners and to a public land survey monument are as depicted on the map.

4. If the claim is a placer or millsite claim with exterior limits conforming to legal subdivisions of the public survey, provide a legal description of the claim \_\_\_\_\_

Form MCF100a  
Revised July 2014

2F

Gold Road Mining Corp.  
Suite 450, 1090 West Georgia Street  
Vancouver, BC V6E 3V7 Canada

**FEE# 2017062192**

OFFICIAL RECORDS  
OF MOHAVE COUNTY  
KRISTI BLAIR,  
COUNTY RECORDER



12/26/2017 02:27 PM Fee: \$10.00

PAGE: 1 of 2

WHEN RECORDED MAIL TO (MC):

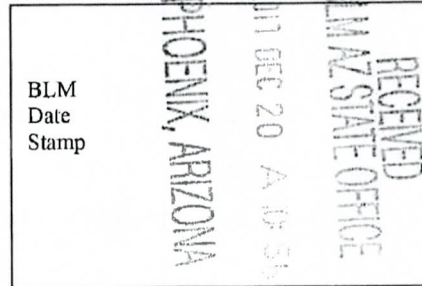
FENNEMORE CRAIG  
2394 EAST CAMELBACK RD  
SUITE 600  
PHOENIX AZ 85016

**LOCATION NOTICE FOR LODE MINING CLAIM**

Amendment BLM Serial # \_\_\_\_\_

NOTICE IS HEREBY GIVEN that the GRMC 6

\_\_\_\_\_ lode mining claim has been located  
by Gold Road Mining Corp. whose current mailing  
address is Suite 450, 1090 West Georgia Street  
Vancouver, BC V6E 3V7 Canada



The general course of this claim is East-West and it is situated in Mohave  
County, Arizona. This claim is 1500 feet in length and 600 feet in width.

20 Total Claim Acreage. This claim runs from the location monument on which this location notice  
is posted on the centerline of the claim approximately 20 feet in a E direction to the E  
end line and 1480 feet in a W direction to the W end line. This claim is marked by six  
monuments, one at each corner and one at the center of each end line of the claim.

The location monument on which this notice is posted is situated within Section 11, Township 19  
N, Range 20 W, Gila Salt River Base and Meridian, Arizona and this claim encompasses portions  
of the following quarter section(s), section(s), Township(s) and Range(s) \_\_\_\_\_  
NE1/4 Sec.11 T19N R20W

Gila Salt River Base and Meridian, Arizona.

The locality of this claim with reference to some natural object or permanent monument and additional information  
(if any) concerning its locality are as follows: \_\_\_\_\_  
2,069'W 647'S from NE corner Sec.11 T19N R20W to NW claim corner

\_\_\_\_\_ The above information is shown on the attached map.

DATED AND POSTED on the ground this 18 day of October, 2017.

LOCATOR(s)  AGENT

Print Name(s) Stuart Burgess

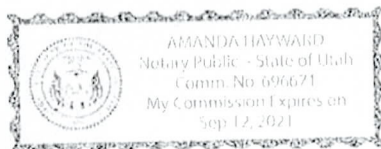
Signature(s) \_\_\_\_\_

State of Utah  
County of Salt Lake

This instrument was signed and sworn to before me  
on 12/2/17 by Stuart Burgess  
(Name of signer)

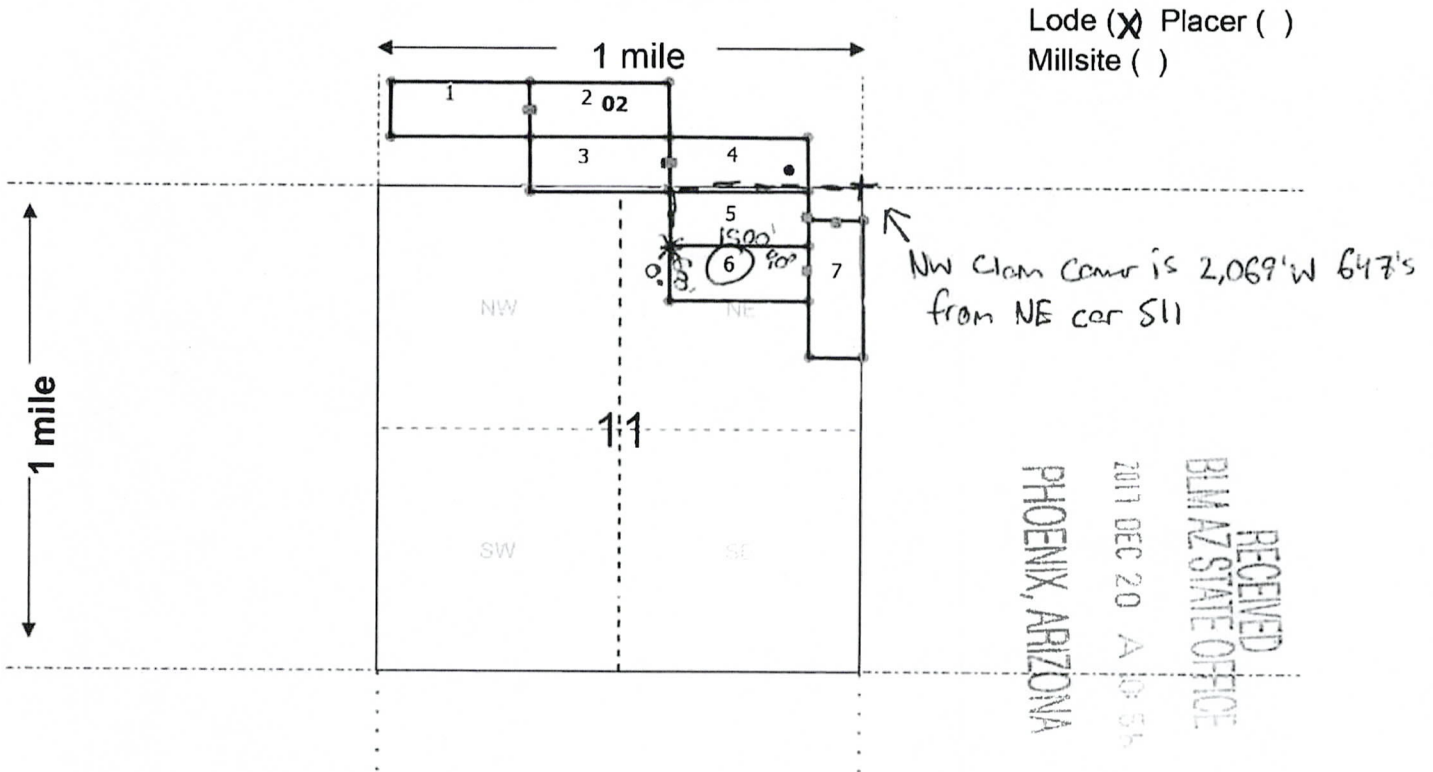
AKH  
(Notary Signature)

[Affix seal/stamp to the left or below]



AMC448204

**MINING CLAIM MAP**



RECEIVED  
 BLM AZ STATE OFFICE  
 2017 DEC 20 A 10:54  
 PHOENIX, ARIZONA

Scale: 1" = 2000 feet



1. The above map depicts the GRMC 6 mining claim, which is located in Section (s) 11, Township 19 N, Range 20 W, Gila and Salt River Base and Meridian, Mohave County, Arizona. Total claim acreage is 20

2. The type of corner and location monuments used are as follows: 2"X2"X50" wooden posts with metal tags or rock monument

3. The bearings and distances in degrees and feet between claim corners and to a public land survey monument are as depicted on the map.

4. If the claim is a placer or millsite claim with exterior limits conforming to legal subdivisions of the public survey, provide a legal description of the claim \_\_\_\_\_

AMC 4 8 20 4

**Form MCF100a**  
Revised July 2014

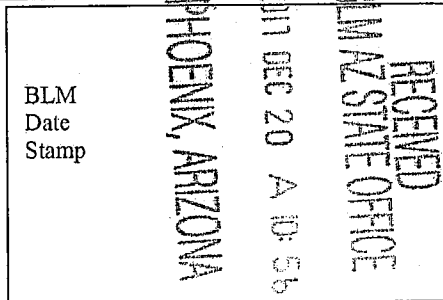
This form is available from the **Arizona Geology Survey** and may be reproduced.

Gold Road Mining Corp.  
Suite 450, 1090 West Georgia Street  
Vancouver, BC V6E 3V7 Canada

**LOCATION NOTICE FOR LODE MINING CLAIM**

Amendment BLM Serial # \_\_\_\_\_

NOTICE IS HEREBY GIVEN that the GRMC 6  
\_\_\_\_\_ lode mining claim has been located  
by Gold Road Mining Corp. whose current mailing  
address is Suite 450, 1090 West Georgia Street  
Vancouver, BC V6E 3V7 Canada



The general course of this claim is East-West and it is situated in Mohave  
County, Arizona. This claim is 1500 feet in length and 600 feet in width.

20 Total Claim Acreage. This claim runs from the location monument on which this location notice  
is posted on the centerline of the claim approximately 20 feet in a E direction to the E  
end line and 1480 feet in a W direction to the W end line. This claim is marked by six  
monuments, one at each corner and one at the center of each end line of the claim.

The location monument on which this notice is posted is situated within Section 11, Township 19  
N, Range 20 W, Gila Salt River Base and Meridian, Arizona and this claim encompasses portions  
of the following quarter section(s), section(s), Township(s) and Range(s) \_\_\_\_\_  
NE1/4 Sec.11 T19N R20W

Gila Salt River Base and Meridian, Arizona.

The locality of this claim with reference to some natural object or permanent monument and additional information  
(if any) concerning its locality are as follows: \_\_\_\_\_

2,069'W 647'S from NE corner Sec.11 T19N R20W to NW claim corner

\_\_\_\_\_ The above information is shown on the attached map.  
DATED AND POSTED on the ground this 18 day of October, 2017.

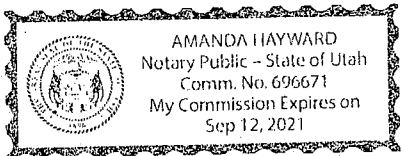
LOCATOR(s)  AGENT

Print Name(s) Stuart Burgess

Signature(s) \_\_\_\_\_

State of Utah  
County of Salt Lake

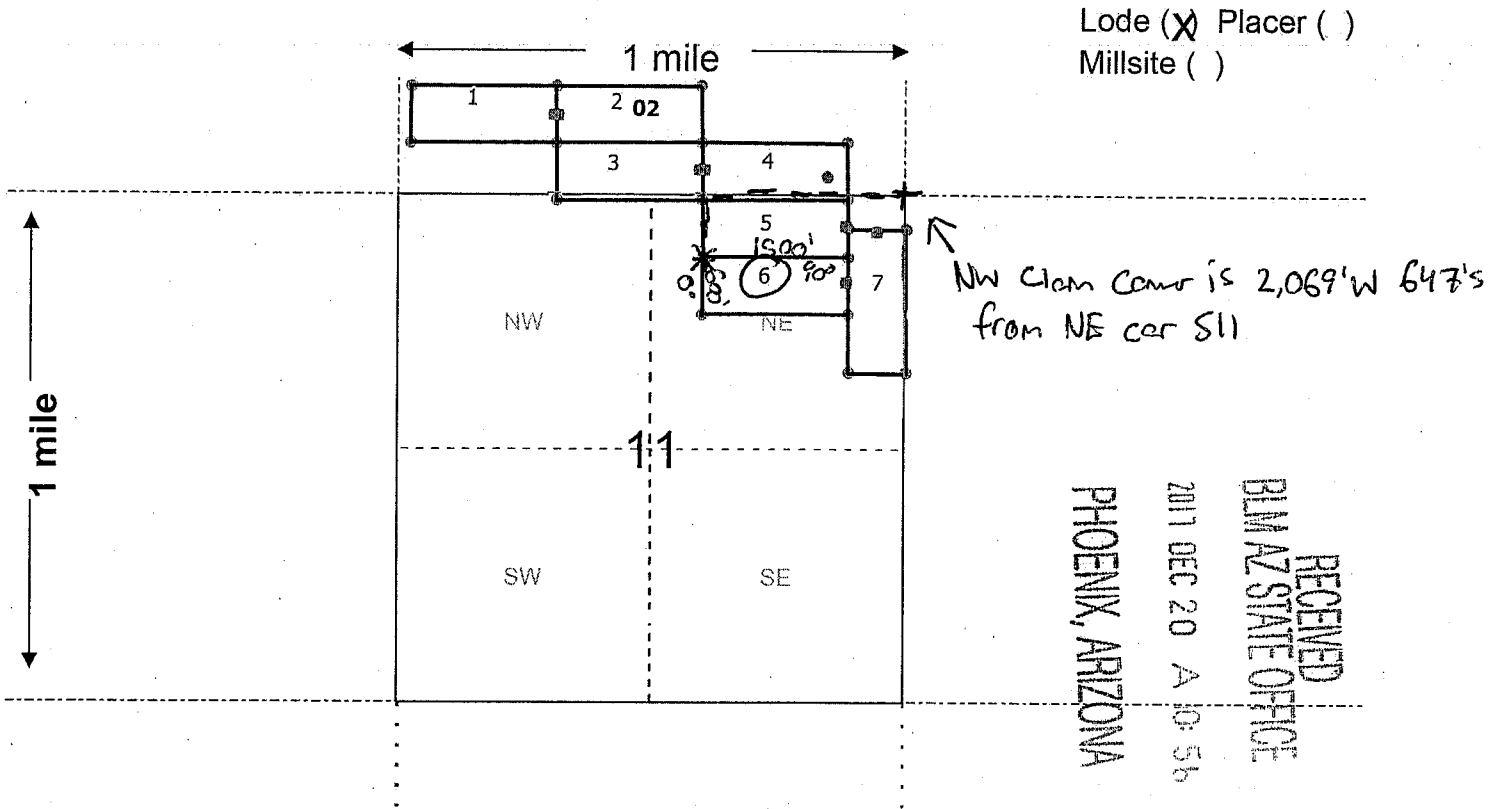
This instrument was signed and sworn to before me  
on 12/2/17 by Stuart Burgess  
(Name of signer)



AH  
(Notary Signature)  
[Affix seal/stamp to the left or below]

AMC448204

**MINING CLAIM MAP**



Scale: 1" = 2000 feet

1. The above map depicts the GRMC 6 mining claim, which is located in Section (s) 11, Township 19 N, Range 20 W, Gila and Salt River Base and Meridian, Mohave County, Arizona. Total claim acreage is 20

2. The type of corner and location monuments used are as follows: 2"X2"X50" wooden posts with metal tags or rock monument

3. The bearings and distances in degrees and feet between claim corners and to a public land survey monument are as depicted on the map.

4. If the claim is a placer or millsite claim with exterior limits conforming to legal subdivisions of the public survey, provide a legal description of the claim \_\_\_\_\_

Form MCF100a  
Revised July 2014

This form is available from the Arizona Geology Survey and may be reproduced.

AMC 448204



2E

Gold Road Mining Corp.  
Suite 450, 1090 West Georgia Street  
Vancouver, BC V6E 3V7 Canada

**FEE# 2017062193**

OFFICIAL RECORDS  
OF MOHAVE COUNTY  
KRISTI BLAIR,  
COUNTY RECORDER



12/26/2017 02:27 PM Fee: \$10.00

PAGE: 1 of 2

WHEN RECORDED MAIL TO (MC):

FENNEMORE CRAIG  
2394 EAST CAMELBACK RD  
SUITE 600  
PHOENIX AZ 85016

**LOCATION NOTICE FOR LODE MINING CLAIM**

Amendment BLM Serial # \_\_\_\_\_  
NOTICE IS HEREBY GIVEN that the GRMC 7  
\_\_\_\_\_ lode mining claim has been located  
by Gold Road Mining Corp. whose current mailing  
address is Suite 450, 1090 West Georgia Street  
Vancouver, BC V6E 3V7 Canada

RECEIVED  
BLM AZ STATE OFFICE  
PHOENIX, ARIZONA  
DEC 20 A 10 34  
BLM  
Date  
Stamp

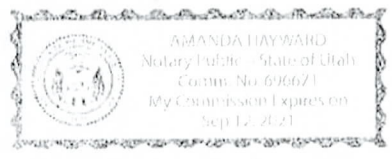
The general course of this claim is North-South and it is situated in Mohave  
County, Arizona. This claim is 1500 feet in length and 600 feet in width.  
20 Total Claim Acreage. This claim runs from the location monument on which this location notice  
is posted on the centerline of the claim approximately 20 feet in a N direction to the N  
end line and 1480 feet in a S direction to the S end line. This claim is marked by six  
monuments, one at each corner and one at the center of each end line of the claim.  
The location monument on which this notice is posted is situated within Section 11, Township 19  
N, Range 20 W, Gila Salt River Base and Meridian, Arizona and this claim encompasses portions  
of the following quarter section(s), section(s), Township(s) and Range(s) \_\_\_\_\_  
NE1/4 Sec.11, NW1/4 Sec.12 T19N R20W

Gila Salt River Base and Meridian, Arizona.  
The locality of this claim with reference to some natural object or permanent monument and additional information  
(if any) concerning its locality are as follows: \_\_\_\_\_  
571'W 351'S from NE corner Sec.11 T19N R20W to NW claim corner

\_\_\_\_\_ The above information is shown on the attached map.

DATED AND POSTED on the ground this 18 day of October, 2017.

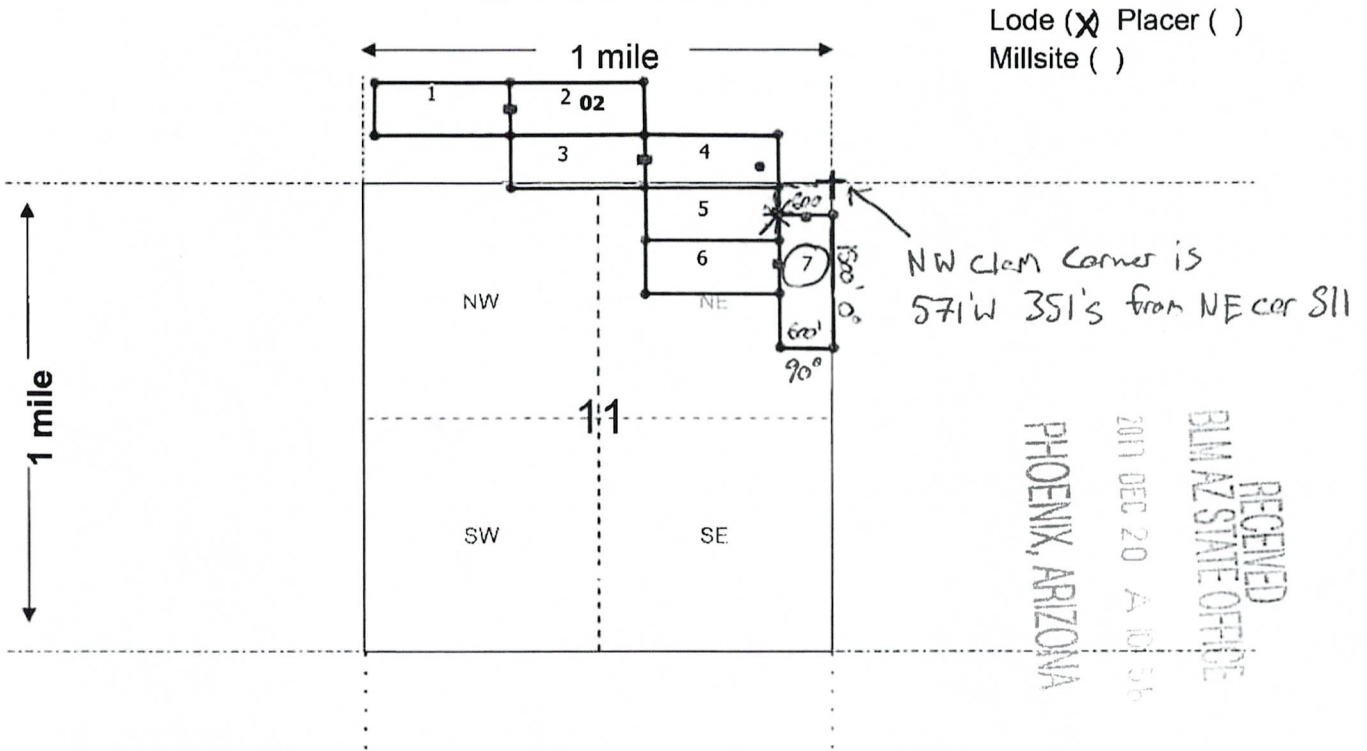
LOCATOR(s)  AGENT  
Print Name(s) Stuart Burgess  
Signature(s) \_\_\_\_\_  
State of Utah \_\_\_\_\_  
County of Salt Lake



This instrument was signed and sworn to before me  
on 12/2/17 by Stuart Burgess  
(Name of signer)  
AKH  
(Notary Signature)  
[Affix seal/stamp to the left or below]

AMC 448205

**MINING CLAIM MAP**



Lode (X) Placer ( )  
Millsite ( )

RECEIVED  
 BLM AZ STATE OFFICE  
 2017 DEC 20 A 10:56  
 PHOENIX, ARIZONA

Scale: 1" = 2000 feet



AMC448205

- The above map depicts the GRMC 7 mining claim, which is located in Section (s) 11, 12, Township 19 N, Range 20 W, Gila and Salt River Base and Meridian, Mohave County, Arizona. Total claim acreage is 20
- The type of corner and location monuments used are as follows: 2"X2"X50" wooden posts with metal tags or rock monument
- The bearings and distances in degrees and feet between claim corners and to a public land survey monument are as depicted on the map.
- If the claim is a placer or millsite claim with exterior limits conforming to legal subdivisions of the public survey, provide a legal description of the claim \_\_\_\_\_

Form MCF100a  
Revised July 2014

This form is available from the **Arizona Geology Survey** and may be reproduced.

Gold Road Mining Corp.  
Suite 450, 1090 West Georgia Street  
Vancouver, BC V6E 3V7 Canada

**LOCATION NOTICE FOR LODE MINING CLAIM**

Amendment BLM Serial # \_\_\_\_\_

NOTICE IS HEREBY GIVEN that the GRMC 7  
\_\_\_\_\_ lode mining claim has been located  
by Gold Road Mining Corp. whose current mailing  
address is Suite 450, 1090 West Georgia Street  
Vancouver, BC V6E 3V7 Canada

RECEIVED  
BLM STATE OFFICE  
PHOENIX, ARIZONA  
2017 DEC 20 A 10:56  
BLM  
Date  
Stamp

The general course of this claim is North-South and it is situated in Mohave  
County, Arizona. This claim is 1500 feet in length and 600 feet in width.

20 Total Claim Acreage. This claim runs from the location monument on which this location notice  
is posted on the centerline of the claim approximately 20 feet in a N direction to the N  
end line and 1480 feet in a S direction to the S end line. This claim is marked by six  
monuments, one at each corner and one at the center of each end line of the claim.

The location monument on which this notice is posted is situated within Section 11, Township 19  
N, Range 20 W, Gila Salt River Base and Meridian, Arizona and this claim encompasses portions  
of the following quarter section(s), section(s), Township(s) and Range(s) \_\_\_\_\_  
NE1/4 Sec.11, NW1/4 Sec.12 T19N R20W

Gila Salt River Base and Meridian, Arizona.

The locality of this claim with reference to some natural object or permanent monument and additional information  
(if any) concerning its locality are as follows: \_\_\_\_\_  
571'W 351'S from NE corner Sec.11 T19N R20W to NW claim corner

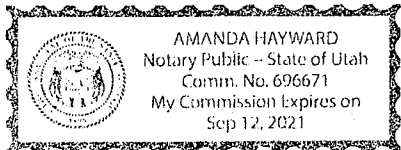
\_\_\_\_\_ The above information is shown on the attached map.  
DATED AND POSTED on the ground this 18 day of October, 2017.

LOCATOR(s)  AGENT

Print Name(s) Stuart Burgess  
Signature(s) \_\_\_\_\_

State of Utah  
County of Salt Lake

This instrument was signed and sworn to before me  
on 12/2/17 by Stuart Burgess  
(Name of signer)

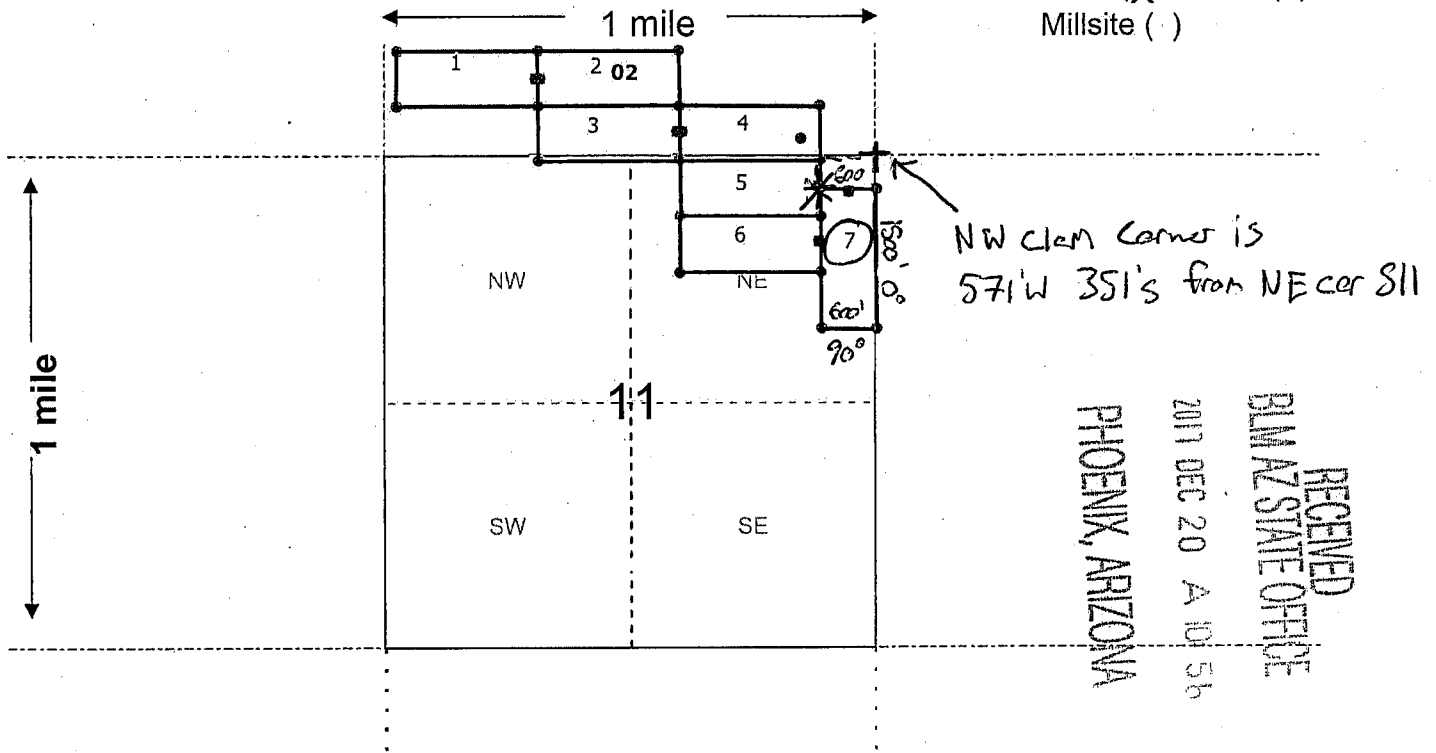


AH  
(Notary Signature)  
[Affix seal/stamp to the left or below]

AMC448205

**MINING CLAIM MAP**

Lode (X) Placer ( )  
Millsite ( )



Scale: 1" = 2000 feet



1. The above map depicts the GRMC 7 mining claim, which is located in Section (s) 11,12, Township 19 N, Range 20 W, Gila and Salt River Base and Meridian, Mohave County, Arizona. Total claim acreage is 20

2. The type of corner and location monuments used are as follows: 2"X2"X50" wooden posts with metal tags or rock monument

3. The bearings and distances in degrees and feet between claim corners and to a public land survey monument are as depicted on the map.

4. If the claim is a placer or millsite claim with exterior limits conforming to legal subdivisions of the public survey, provide a legal description of the claim \_\_\_\_\_

Form MCF100a  
Revised July 2014

This form is available from the Arizona Geology Survey and may be reproduced.

AMC 448205

25

Gold Road Mining Corp.  
Suite 450, 1090 West Georgia Street  
Vancouver, BC V6E 3V7 Canada

**FEE# 2017062194**

OFFICIAL RECORDS  
OF MOHAVE COUNTY  
KRISTI BLAIR,  
COUNTY RECORDER



12/26/2017 02:27 PM Fee: \$10.00

PAGE: 1 of 2

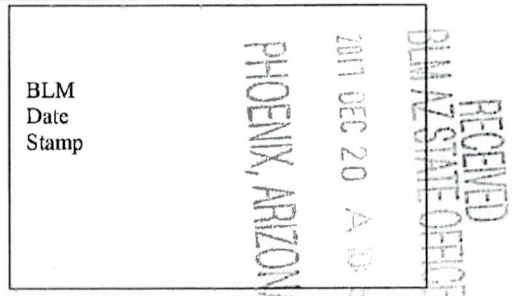
WHEN RECORDED MAIL TO (MC):

FENNEMORE CRAIG  
2394 EAST CAMELBACK RD  
SUITE 600  
PHOENIX AZ 85016

**LOCATION NOTICE FOR LODE MINING CLAIM**

Amendment BLM Serial # \_\_\_\_\_

NOTICE IS HEREBY GIVEN that the GRMC 11  
\_\_\_\_\_ lode mining claim has been located  
by Gold Road Mining Corp. whose current mailing  
address is Suite 450, 1090 West Georgia Street  
Vancouver, BC V6E 3V7 Canada



The general course of this claim is Northwest-Southeast and it is situated in Mohave  
County, Arizona. This claim is 1500 feet in length and 600 feet in width.

20 Total Claim Acreage. This claim runs from the location monument on which this location notice  
is posted on the centerline of the claim approximately 20 feet in a NW direction to the NW  
end line and 1480 feet in a SE direction to the SE end line. This claim is marked by six  
monuments, one at each corner and one at the center of each end line of the claim.

The location monument on which this notice is posted is situated within Section 12, Township 19  
N, Range 20 W, Gila Salt River Base and Meridian, Arizona and this claim encompasses portions  
of the following quarter section(s), section(s), Township(s) and Range(s) \_\_\_\_\_  
NW1/4, SW1/4, SE1/4 Sec.12 T19N R20W

Gila Salt River Base and Meridian, Arizona.

The locality of this claim with reference to some natural object or permanent monument and additional information  
(if any) concerning its locality are as follows: \_\_\_\_\_  
1,688'E 2,597'S from NW corner Sec.12 T19N R20W

\_\_\_\_\_ The above information is shown on the attached map.

DATED AND POSTED on the ground this 18 day of October, 20 17.

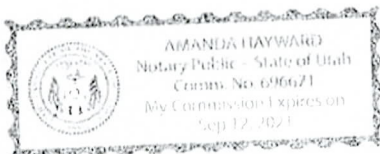
LOCATOR(s)  AGENT  
Print Name(s) Stuart Burgess  
Signature(s) \_\_\_\_\_

State of Utah  
County of Salt Lake

This instrument was signed and sworn to before me  
on 12/21/17 by Stuart Burgess  
(Name of signer)

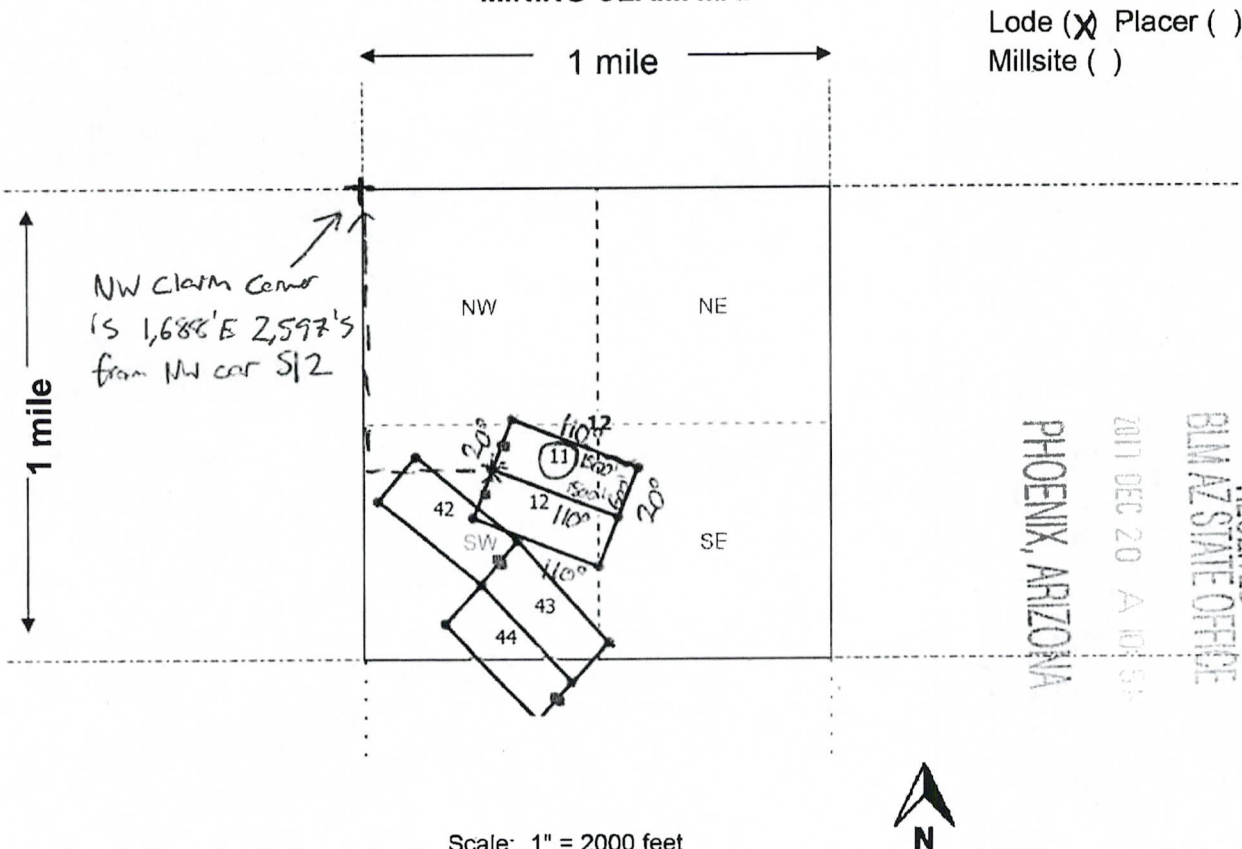
AKH  
(Notary Signature)

[Affix seal/stamp to the left or below]



AMC 448206

**MINING CLAIM MAP**



Lode (X) Placer ( )  
Millsite ( )

RECEIVED  
BLM AZ STATE OFFICE  
2011 DEC 20 A 10:54  
PHOENIX, ARIZONA

Scale: 1" = 2000 feet

- The above map depicts the GRMC 11 mining claim, which is located in Section (s) 12, Township 19 N, Range 20 W, Gila and Salt River Base and Meridian, Mohave County, Arizona. Total claim acreage is 20
- The type of corner and location monuments used are as follows: 2"X2"X50" wooden posts with metal tags or rock monument
- The bearings and distances in degrees and feet between claim corners and to a public land survey monument are as depicted on the map.
- If the claim is a placer or millsite claim with exterior limits conforming to legal subdivisions of the public survey, provide a legal description of the claim \_\_\_\_\_

AMC448206

Form MCF100a  
Revised July 2014

Gold Road Mining Corp.  
Suite 450, 1090 West Georgia Street  
Vancouver, BC V6E 3V7 Canada

**LOCATION NOTICE FOR LODE MINING CLAIM**

Amendment BLM Serial # \_\_\_\_\_

NOTICE IS HEREBY GIVEN that the GRMC 11  
\_\_\_\_\_ lode mining claim has been located  
by Gold Road Mining Corp. whose current mailing  
address is Suite 450, 1090 West Georgia Street  
Vancouver, BC V6E 3V7 Canada

RECEIVED  
BLM AZ STATE OFFICE  
2011 DEC 20 A 10:56  
PHOENIX, ARIZONA  
BLM  
Date  
Stamp

The general course of this claim is Northwest-Southeast and it is situated in Mohave  
County, Arizona. This claim is 1500 feet in length and 600 feet in width.

20 Total Claim Acreage. This claim runs from the location monument on which this location notice  
is posted on the centerline of the claim approximately 20 feet in a NW direction to the NW  
end line and 1480 feet in a SE direction to the SE end line. This claim is marked by six  
monuments, one at each corner and one at the center of each end line of the claim.

The location monument on which this notice is posted is situated within Section 12, Township 19  
N, Range 20 W, Gila Salt River Base and Meridian, Arizona and this claim encompasses portions  
of the following quarter section(s), section(s), Township(s) and Range(s) \_\_\_\_\_  
NW1/4, SW1/4, SE1/4 Sec.12 T19N R20W

Gila Salt River Base and Meridian, Arizona.

The locality of this claim with reference to some natural object or permanent monument and additional information  
(if any) concerning its locality are as follows: \_\_\_\_\_

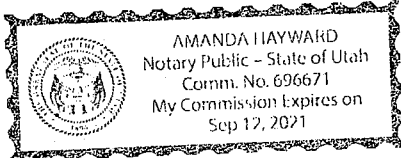
1,688'E 2,597'S from NW corner Sec.12 T19N R20W  
\_\_\_\_\_ The above information is shown on the attached map.

DATED AND POSTED on the ground this 18 day of October, 20 17.

LOCATOR(s)  AGENT  
Print Name(s) Stuart Burgess  
Signature(s) \_\_\_\_\_

State of Utah  
County of Salt Lake

This instrument was signed and sworn to before me  
on 12/2/17 by Stuart Burgess  
(Name of signer)

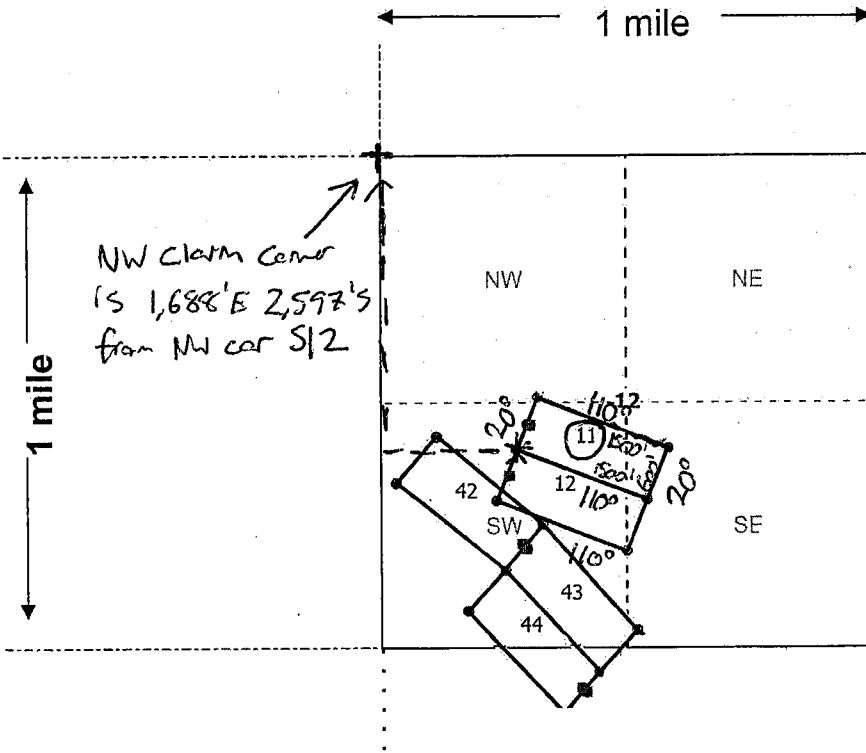


AmH  
(Notary Signature)  
[Affix seal/stamp to the left or below]

AMC448206

**MINING CLAIM MAP**

Lode (X) Placer ( )  
Millsite ( )



RECEIVED  
 BLM AZ STATE OFFICE  
 2017 DEC 20 A 10:54  
 PHOENIX, ARIZONA

Scale: 1" = 2000 feet



1. The above map depicts the GRMC 11 mining claim, which is located in Section (s) 12, Township 19 N, Range 20 W, Gila and Salt River Base and Meridian, Mohave County, Arizona. Total claim acreage is 20

2. The type of corner and location monuments used are as follows: 2"X2"X50" wooden posts with metal tags or rock monument

3. The bearings and distances in degrees and feet between claim corners and to a public land survey monument are as depicted on the map.

4. If the claim is a placer or millsite claim with exterior limits conforming to legal subdivisions of the public survey, provide a legal description of the claim \_\_\_\_\_

Form MCF100a  
Revised July 2014

This form is available from the Arizona Geology Survey and may be reproduced.

AMC 448206



ZE

Gold Road Mining Corp.  
Suite 450, 1090 West Georgia Street  
Vancouver, BC V6E 3V7 Canada

**FEE# 2017062195**

OFFICIAL RECORDS  
OF MOHAVE COUNTY  
KRISTI BLAIR,  
COUNTY RECORDER



12/26/2017 02:27 PM Fee: \$10.00

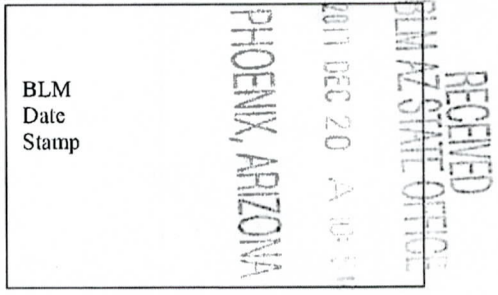
PAGE: 1 of 2

WHEN RECORDED MAIL TO (MC):

FENNEMORE CRAIG  
2394 EAST CAMELBACK RD  
SUITE 600  
PHOENIX AZ 85016

**LOCATION NOTICE FOR LODE MINING CLAIM**

Amendment BLM Serial # \_\_\_\_\_  
NOTICE IS HEREBY GIVEN that the GRMC 12  
\_\_\_\_\_ lode mining claim has been located  
by Gold Road Mining Corp. whose current mailing  
address is Suite 450, 1090 West Georgia Street  
Vancouver, BC V6E 3V7 Canada



The general course of this claim is Northwest-Southeast and it is situated in Mohave  
County, Arizona. This claim is 1500 feet in length and 600 feet in width.

20 Total Claim Acreage. This claim runs from the location monument on which this location notice  
is posted on the centerline of the claim approximately 20 feet in a NW direction to the NW  
end line and 1480 feet in a SE direction to the SE end line. This claim is marked by six  
monuments, one at each corner and one at the center of each end line of the claim.

The location monument on which this notice is posted is situated within Section 12, Township 19  
N, Range 20 W, Gila Salt River Base and Meridian, Arizona and this claim encompasses portions  
of the following quarter section(s), section(s), Township(s) and Range(s) \_\_\_\_\_  
SW1/4, SE1/4 Sec.12 T19N R20W

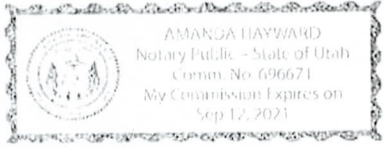
Gila Salt River Base and Meridian, Arizona.

The locality of this claim with reference to some natural object or permanent monument and additional information  
(if any) concerning its locality are as follows: \_\_\_\_\_  
1,450'E 2,139'N from SW corner Sec.12 T19N R20W to NW claim corner

\_\_\_\_\_ The above information is shown on the attached map.

DATED AND POSTED on the ground this 18 day of October, 2017.

LOCATOR(s)  AGENT  
Print Name(s) Stuart Burgess  
Signature(s) \_\_\_\_\_  
State of Utah  
County of Salt Lake

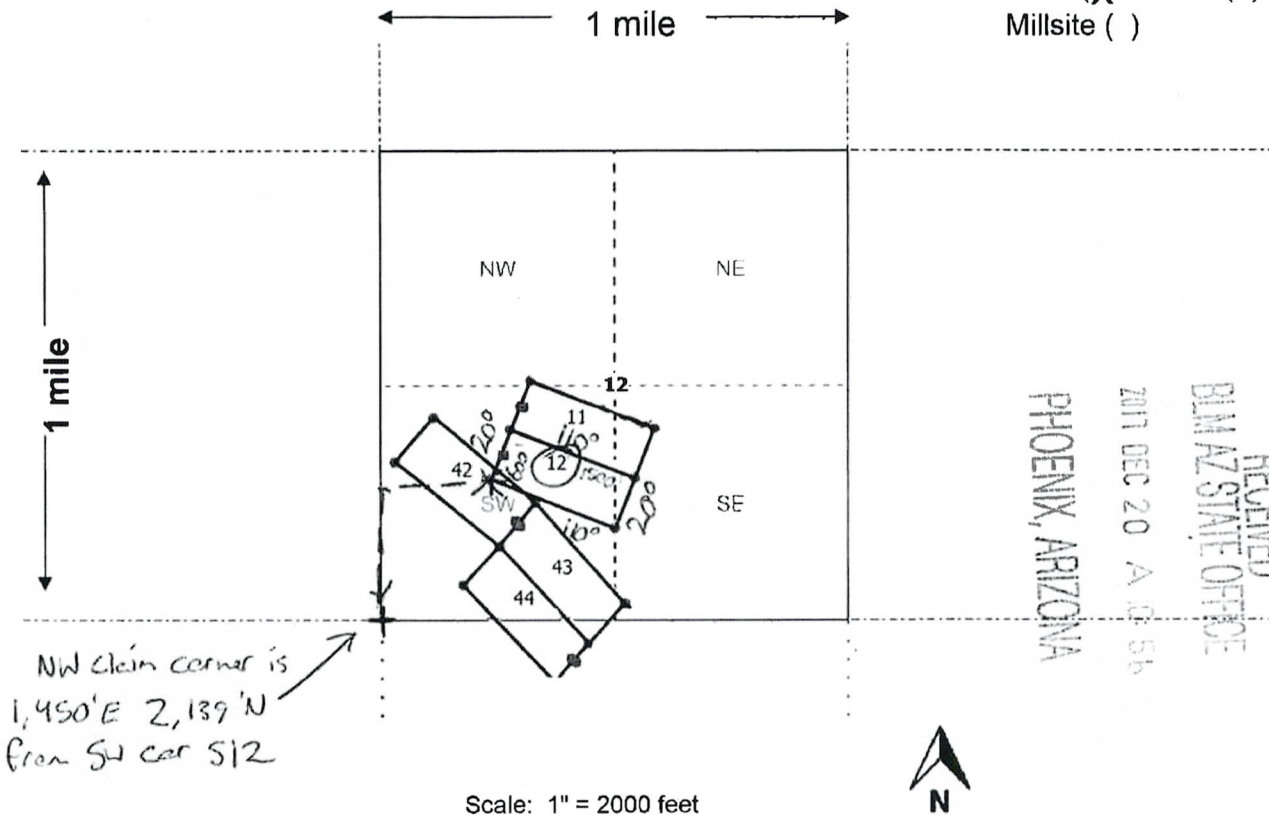


This instrument was signed and sworn to before me  
on 12/21/17 by Stuart Burgess  
(Name of signer)  
\_\_\_\_\_  
(Notary Signature)  
[Affix seal/stamp to the left or below]

AMC448207

**MINING CLAIM MAP**

Lode (X) Placer ( )  
Millsite ( )



RECEIVED  
 BLM AZ STATE OFFICE  
 2017 DEC 20 A.M. 5:56  
 PHOENIX, ARIZONA

AMC 448207

Scale: 1" = 2000 feet

- The above map depicts the GRMC 12 mining claim, which is located in Section (s) 12, Township 19 N, Range 20 W, Gila and Salt River Base and Meridian, Mohave County, Arizona. Total claim acreage is 20
- The type of corner and location monuments used are as follows: 2"X2"X50" wooden posts with metal tags or rock monument
- The bearings and distances in degrees and feet between claim corners and to a public land survey monument are as depicted on the map.
- If the claim is a placer or millsite claim with exterior limits conforming to legal subdivisions of the public survey, provide a legal description of the claim \_\_\_\_\_

**Form MCF100a**  
Revised July 2014

Gold Road Mining Corp.  
Suite 450, 1090 West Georgia Street  
Vancouver, BC V6E 3V7 Canada

**LOCATION NOTICE FOR LODE MINING CLAIM**

Amendment BLM Serial # \_\_\_\_\_

NOTICE IS HEREBY GIVEN that the GRMC 12  
\_\_\_\_\_ lode mining claim has been located  
by Gold Road Mining Corp. whose current mailing  
address is Suite 450, 1090 West Georgia Street  
Vancouver, BC V6E 3V7 Canada

RECEIVED  
BLM AZ STATE OFFICE  
2017 DEC 20 A 10:51  
PHOENIX, ARIZONA  
BLM  
Date  
Stamp

The general course of this claim is Northwest-Southeast and it is situated in Mohave  
County, Arizona. This claim is 1500 feet in length and 600 feet in width.

20 Total Claim Acreage. This claim runs from the location monument on which this location notice  
is posted on the centerline of the claim approximately 20 feet in a NW direction to the NW  
end line and 1480 feet in a SE direction to the SE end line. This claim is marked by six  
monuments, one at each corner and one at the center of each end line of the claim.

The location monument on which this notice is posted is situated within Section 12, Township 19  
N, Range 20 W, Gila Salt River Base and Meridian, Arizona and this claim encompasses portions  
of the following quarter section(s), section(s), Township(s) and Range(s) \_\_\_\_\_  
SW1/4, SE1/4 Sec.12 T19N R20W

Gila Salt River Base and Meridian, Arizona.  
The locality of this claim with reference to some natural object or permanent monument and additional information  
(if any) concerning its locality are as follows: \_\_\_\_\_  
1,450'E 2,139'N from SW corner Sec.12 T19N R20W to NW claim corner

\_\_\_\_\_ The above information is shown on the attached map.

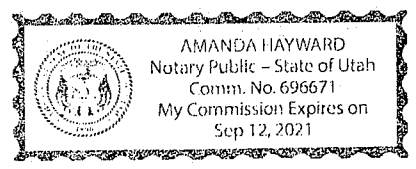
DATED AND POSTED on the ground this 18 day of October, 20 17.

LOCATOR(s)  AGENT  
Print Name(s) Stuart Burgess  
Signature(s) \_\_\_\_\_

State of Utah  
County of Salt Lake

This instrument was signed and sworn to before me  
on 12/2/17 by Stuart Burgess  
(Name of signer)

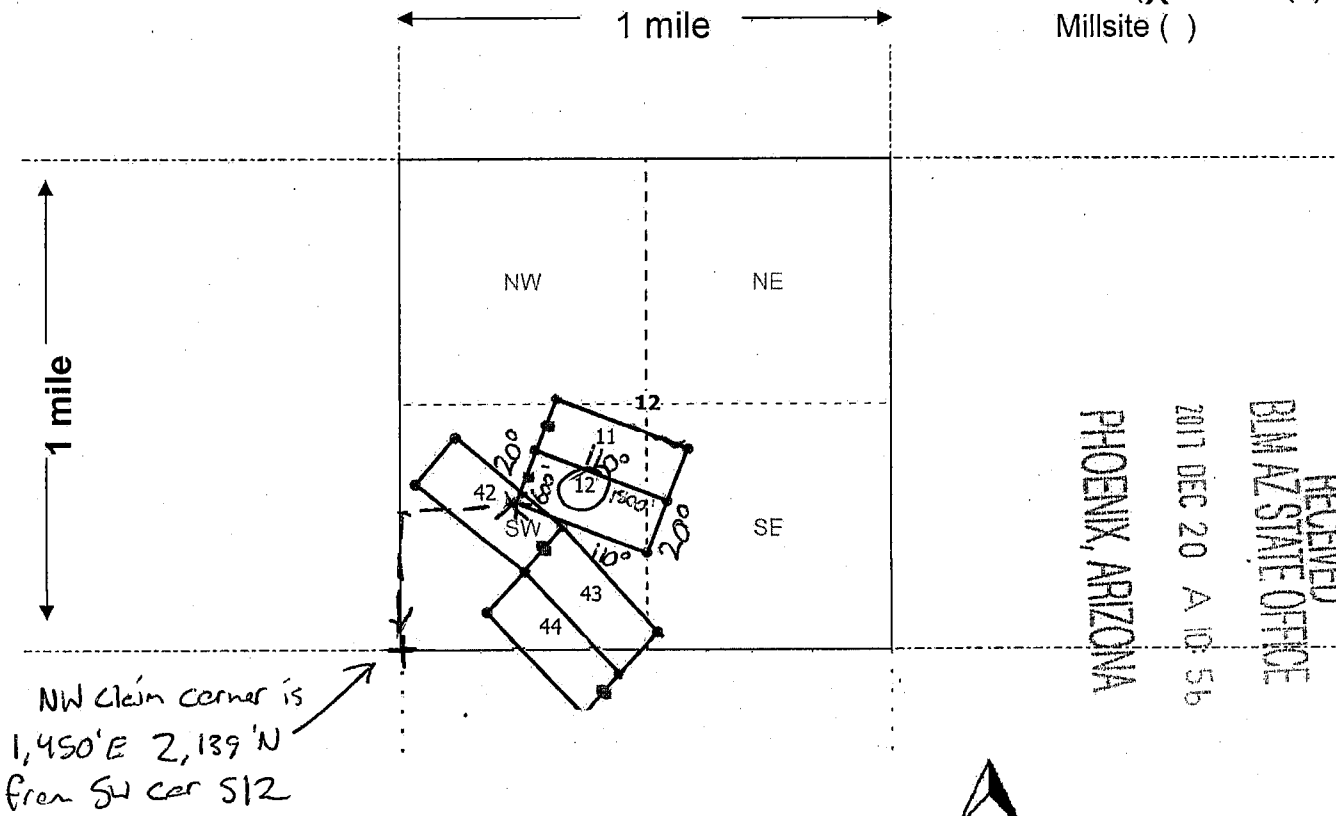
\_\_\_\_\_  
(Notary Signature)  
[Affix seal/stamp to the left or below]



AMC 448207

**MINING CLAIM MAP**

Lode (X) Placer ( )  
Millsite ( )



RECEIVED  
BLM AZ STATE OFFICE  
2011 DEC 20 A 10:56  
PHOENIX, ARIZONA

AMC448207

1. The above map depicts the GRMC 12 mining claim, which is located in Section (s) 12, Township 19 N, Range 20 W, Gila and Salt River Base and Meridian, Mohave County, Arizona. Total claim acreage is 20

2. The type of corner and location monuments used are as follows: 2"X2"X50" wooden posts with metal tags or rock monument

3. The bearings and distances in degrees and feet between claim corners and to a public land survey monument are as depicted on the map.

4. If the claim is a placer or millsite claim with exterior limits conforming to legal subdivisions of the public survey, provide a legal description of the claim \_\_\_\_\_

Form MCF100a  
Revised July 2014

2E

Gold Road Mining Corp.  
Suite 450, 1090 West Georgia Street  
Vancouver, BC V6E 3V7 Canada

**FEE# 2017062196**

OFFICIAL RECORDS  
OF MOHAVE COUNTY  
KRISTI BLAIR,  
COUNTY RECORDER



12/26/2017 02:27 PM Fee: \$10.00

PAGE: 1 of 2

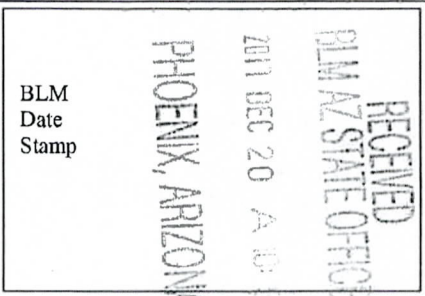
WHEN RECORDED MAIL TO (MC):

FENNEMORE CRAIG  
2394 EAST CAMELBACK RD  
SUITE 600  
PHOENIX AZ 85016

**LOCATION NOTICE FOR LODE MINING CLAIM**

Amendment BLM Serial # \_\_\_\_\_

NOTICE IS HEREBY GIVEN that the GRMC 13  
\_\_\_\_\_ lode mining claim has been located  
by Gold Road Mining Corp. whose current mailing  
address is Suite 450, 1090 West Georgia Street  
Vancouver, BC V6E 3V7 Canada



The general course of this claim is Northwest-Southeast and it is situated in Mohave  
County, Arizona. This claim is 1500 feet in length and 600 feet in width.

20 Total Claim Acreage. This claim runs from the location monument on which this location notice  
is posted on the centerline of the claim approximately 20 feet in a SE direction to the SE  
end line and 1480 feet in a NW direction to the NW end line. This claim is marked by six  
monuments, one at each corner and one at the center of each end line of the claim.

The location monument on which this notice is posted is situated within Section 10, Township 19  
N, Range 20 W, Gila Salt River Base and Meridian, Arizona and this claim encompasses portions  
of the following quarter section(s), section(s), Township(s) and Range(s) \_\_\_\_\_  
SW1/4, SE1/4 Sec.3 NW1/4, NE1/4 Sec.10 T19N R20W

Gila Salt River Base and Meridian, Arizona.

The locality of this claim with reference to some natural object or permanent monument and additional information  
(if any) concerning its locality are as follows: \_\_\_\_\_

1,816'E 75'N from SW corner Sec.3 T19N R20W to NW claim corner  
\_\_\_\_\_ The above information is shown on the attached map.

DATED AND POSTED on the ground this 16 day of October, 20 17.

LOCATOR(s)  AGENT

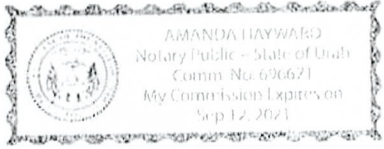
Print Name(s) Stuart Burgess

Signature(s) \_\_\_\_\_

State of Utah  
County of Salt Lake

This instrument was signed and sworn to before me  
on 12/2/17 by Stuart Burgess  
(Name of signer)

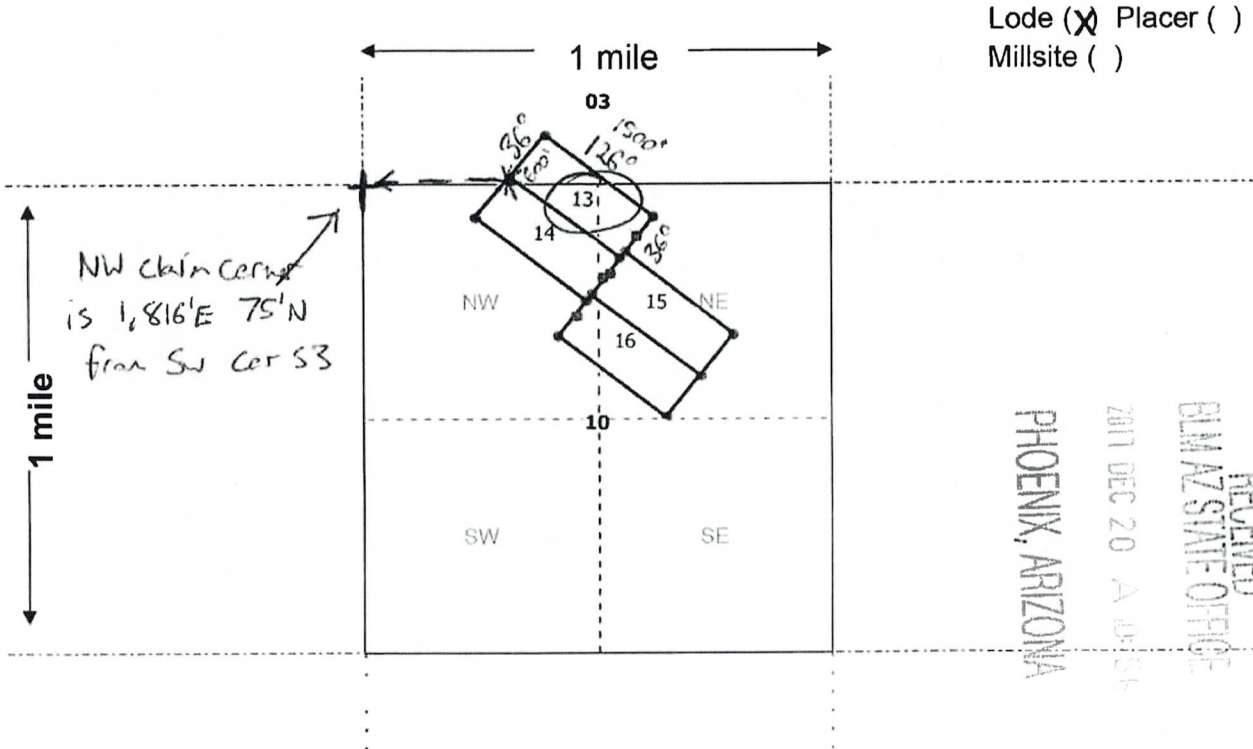
\_\_\_\_\_  
(Notary Signature)



[Affix seal/stamp to the left or below]

AMC448208

**MINING CLAIM MAP**



Scale: 1" = 2000 feet



1. The above map depicts the GRMC 13 mining claim, which is located in Section (s) 3, 10, Township 19 N, Range 20 W, Gila and Salt River Base and Meridian, Mohave County, Arizona. Total claim acreage is 20

2. The type of corner and location monuments used are as follows: 2"X2"X50" wooden posts with metal tags or rock monument

3. The bearings and distances in degrees and feet between claim corners and to a public land survey monument are as depicted on the map.

4. If the claim is a placer or millsite claim with exterior limits conforming to legal subdivisions of the public survey, provide a legal description of the claim \_\_\_\_\_

Form MCF100a  
Revised July 2014

This form is available from the Arizona Geology Survey and may be reproduced.

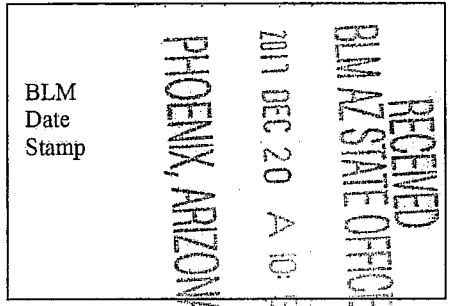
AMC448208

Gold Road Mining Corp.  
Suite 450, 1090 West Georgia Street  
Vancouver, BC V6E 3V7 Canada

**LOCATION NOTICE FOR LODE MINING CLAIM**

Amendment BLM Serial # \_\_\_\_\_

NOTICE IS HEREBY GIVEN that the GRMC 13  
\_\_\_\_\_ lode mining claim has been located  
by Gold Road Mining Corp. whose current mailing  
address is Suite 450, 1090 West Georgia Street  
Vancouver, BC V6E 3V7 Canada



The general course of this claim is Northwest-Southeast and it is situated in Mohave  
County, Arizona. This claim is 1500 feet in length and 600 feet in width.

20 Total Claim Acreage. This claim runs from the location monument on which this location notice  
is posted on the centerline of the claim approximately 20 feet in a SE direction to the SE  
end line and 1480 feet in a NW direction to the NW end line. This claim is marked by six  
monuments, one at each corner and one at the center of each end line of the claim.

The location monument on which this notice is posted is situated within Section 10, Township 19  
N, Range 20 W, Gila Salt River Base and Meridian, Arizona and this claim encompasses portions  
of the following quarter section(s), section(s), Township(s) and Range(s) \_\_\_\_\_  
SW1/4, SE1/4 Sec.3 NW1/4, NE1/4 Sec.10 T19N R20W

Gila Salt River Base and Meridian, Arizona.

The locality of this claim with reference to some natural object or permanent monument and additional information  
(if any) concerning its locality are as follows: \_\_\_\_\_  
1,816'E 75'N from SW corner Sec.3 T19N R20W to NW claim corner

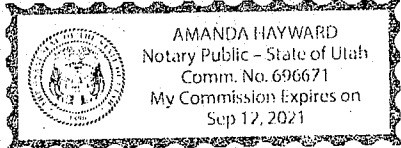
\_\_\_\_\_ The above information is shown on the attached map.

DATED AND POSTED on the ground this 16 day of October, 20 17.

LOCATOR(s)  AGENT  
Print Name(s) Stuart Burgess  
Signature(s) \_\_\_\_\_

State of Utah  
County of Salt Lake

This instrument was signed and sworn to before me  
on 12/2/17 by Stuart Burgess  
(Name of signer)

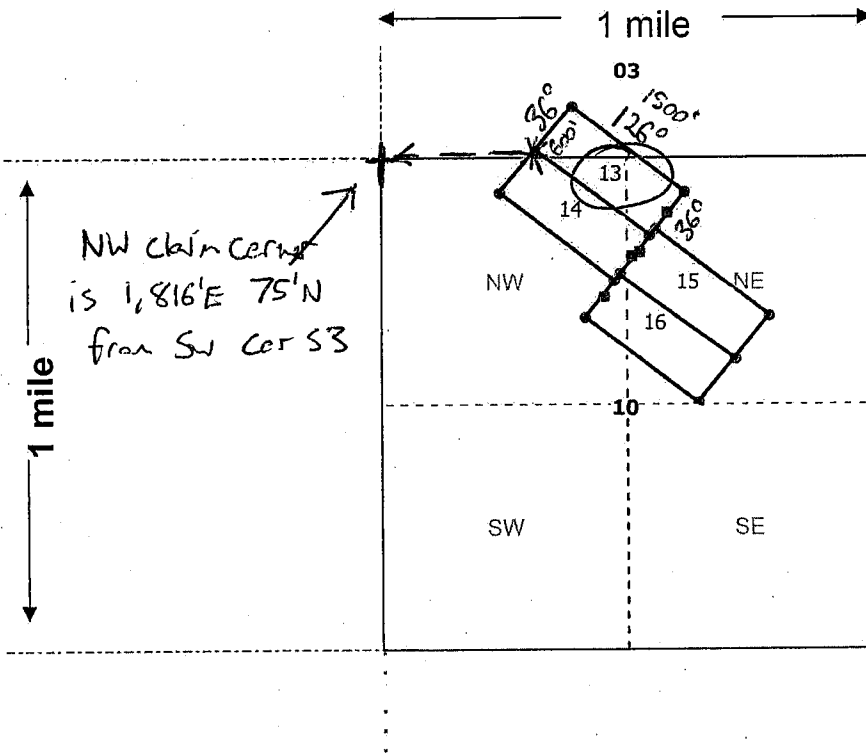


\_\_\_\_\_  
(Notary Signature)  
[Affix seal/stamp to the left or below]

AMC 448208

**MINING CLAIM MAP**

Lode (X) Placer ( )  
Millsite ( )



RECEIVED  
 BLM AZ STATE OFFICE  
 2011 DEC 20 A 10:56  
 PHOENIX, ARIZONA

AMC 448208

Scale: 1" = 2000 feet

- The above map depicts the GRMC 13 mining claim, which is located in Section (s) 3, 10, Township 19 N, Range 20 W, Gila and Salt River Base and Meridian, Mohave County, Arizona. Total claim acreage is 20
- The type of corner and location monuments used are as follows: 2"X2"X50" wooden posts with metal tags or rock monument
- The bearings and distances in degrees and feet between claim corners and to a public land survey monument are as depicted on the map.
- If the claim is a placer or millsite claim with exterior limits conforming to legal subdivisions of the public survey, provide a legal description of the claim \_\_\_\_\_

Form MCF100a  
Revised July 2014



2E

Gold Road Mining Corp.  
Suite 450, 1090 West Georgia Street  
Vancouver, BC V6E 3V7 Canada

**FEE# 2017062197**

OFFICIAL RECORDS  
OF MOHAVE COUNTY  
KRISTI BLAIR,  
COUNTY RECORDER



12/26/2017 02:27 PM Fee: \$10.00

PAGE: 1 of 2

WHEN RECORDED MAIL TO (MC):

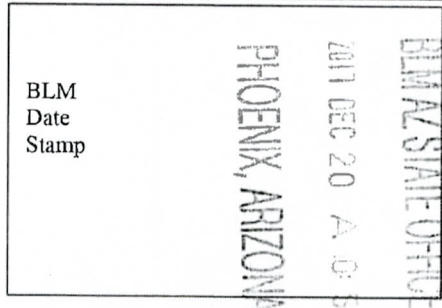
FENNEMORE CRAIG  
2394 EAST CAMELBACK RD  
SUITE 600  
PHOENIX AZ 85016

**LOCATION NOTICE FOR LODE MINING CLAIM**

Amendment BLM Serial # \_\_\_\_\_

NOTICE IS HEREBY GIVEN that the GRMC 14

\_\_\_\_\_ lode mining claim has been located  
by Gold Road Mining Corp. whose current mailing  
address is Suite 450, 1090 West Georgia Street  
Vancouver, BC V6E 3V7 Canada



The general course of this claim is Northwest-Southeast and it is situated in Mohave  
County, Arizona. This claim is 1500 feet in length and 600 feet in width.

20 Total Claim Acreage. This claim runs from the location monument on which this location notice  
is posted on the centerline of the claim approximately 20 feet in a SE direction to the SE  
end line and 1480 feet in a NW direction to the NW end line. This claim is marked by six  
monuments, one at each corner and one at the center of each end line of the claim.

The location monument on which this notice is posted is situated within Section 10, Township 19  
N, Range 20 W, Gila Salt River Base and Meridian, Arizona and this claim encompasses portions  
of the following quarter section(s), section(s), Township(s) and Range(s) \_\_\_\_\_  
SW1/4 Sec.3 NW1/4, NE1/4 Sec.10 T19N R20W

Gila Salt River Base and Meridian, Arizona.

The locality of this claim with reference to some natural object or permanent monument and additional information  
(if any) concerning its locality are as follows: \_\_\_\_\_  
1,449'E 378'S from NW corner Sec.10 T19N R20W to NW claim corner

\_\_\_\_\_The above information is shown on the attached map.

DATED AND POSTED on the ground this 16 day of October, 2017.

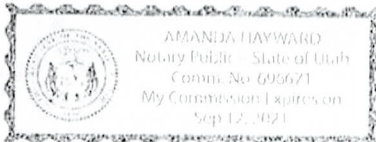
LOCATOR(s)  AGENT

Print Name(s) Stuart Burgess

Signature(s) \_\_\_\_\_

State of Utah  
County of Salt Lake

This instrument was signed and sworn to before me  
on 12/21/17 by Stuart Burgess  
(Name of signer)

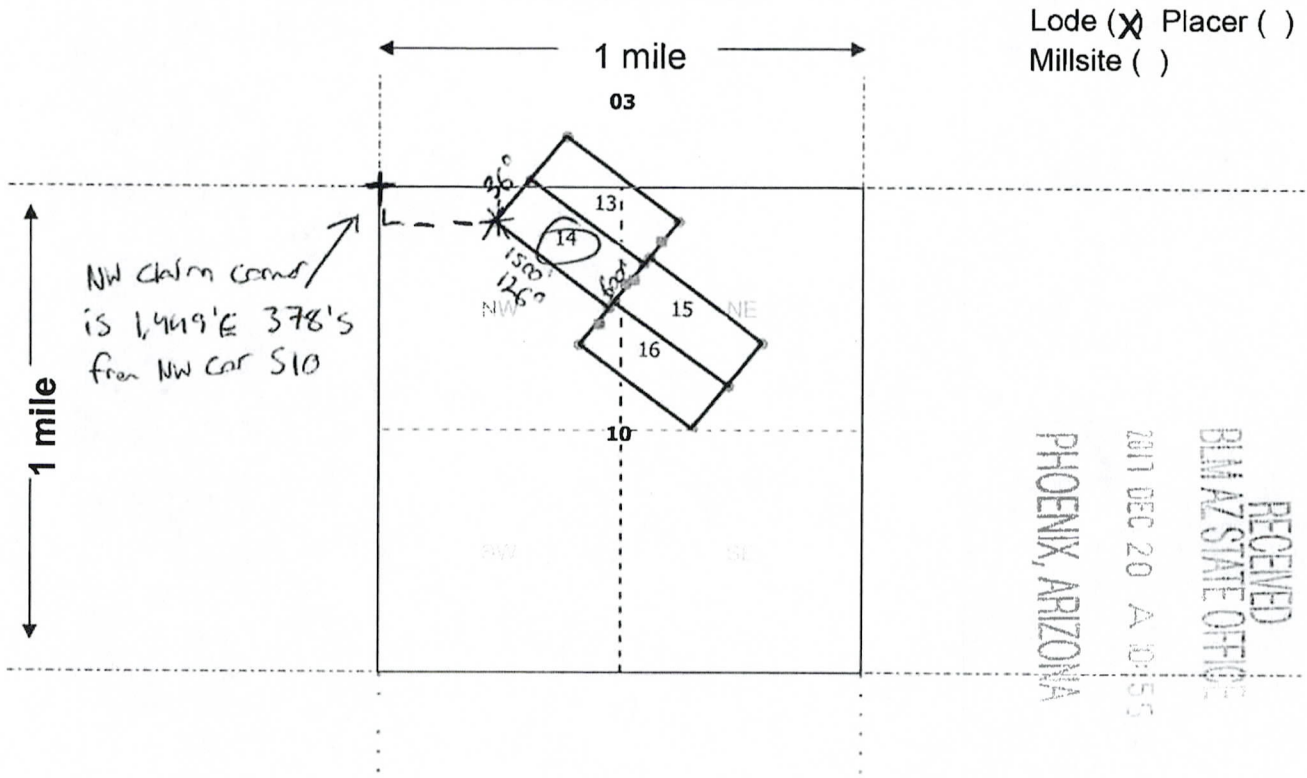


\_\_\_\_\_  
(Notary Signature)

[Affix seal/stamp to the left or below]

AMC 448209

**MINING CLAIM MAP**



Lode (X) Placer ( )  
Millsite ( )

NW claim corner  
is 1,449' E 378' S  
from NW cor S10

RECEIVED  
BLM AZ STATE OFFICE  
2011 DEC 20 A 10:55  
PHOENIX, ARIZONA

Scale: 1" = 2000 feet



1. The above map depicts the GRMC 14 mining claim, which is located in Section (s) 3,10, Township 19 N, Range 20 W, Gila and Salt River Base and Meridian, Mohave County, Arizona. Total claim acreage is 20

2. The type of corner and location monuments used are as follows: 2"X2"X50" wooden posts with metal tags or rock monument

3. The bearings and distances in degrees and feet between claim corners and to a public land survey monument are as depicted on the map.

4. If the claim is a placer or millsite claim with exterior limits conforming to legal subdivisions of the public survey, provide a legal description of the claim \_\_\_\_\_

Form MCF100a  
Revised July 2014

This form is available from the **Arizona Geology Survey** and may be reproduced.

AMC448209

Gold Road Mining Cor  
Suite 450, 1090 West Georgia Street  
Vancouver, BC V6E 3V7 Canada

LOCATION NOTICE FOR LODE MINING CLAIM

Amendment BLM Serial # \_\_\_\_\_

NOTICE IS HEREBY GIVEN that the GRMC 14

\_\_\_\_\_ lode mining claim has been located  
by Gold Road Mining Corp. whose current mailing  
address is Suite 450, 1090 West Georgia Street  
Vancouver, BC V6E 3V7 Canada

BLM  
Date  
Stamp  
PHOENIX, ARIZONA  
2017 DEC 20 A 10:55  
BLM STATE OFFICE  
RECEIVED

The general course of this claim is Northwest-Southeast and it is situated in Mohave  
County, Arizona. This claim is 1500 feet in length and 600 feet in width.

20 Total Claim Acreage. This claim runs from the location monument on which this location notice  
is posted on the centerline of the claim approximately 20 feet in a SE direction to the SE  
end line and 1480 feet in a NW direction to the NW end line. This claim is marked by six  
monuments, one at each corner and one at the center of each end line of the claim.

The location monument on which this notice is posted is situated within Section 10, Township 19  
N, Range 20 W, Gila Salt River Base and Meridian, Arizona and this claim encompasses portions  
of the following quarter section(s), section(s), Township(s) and Range(s) \_\_\_\_\_  
SW1/4 Sec.3 NW1/4, NE1/4 Sec.10 T19N R20W

Gila Salt River Base and Meridian, Arizona.

The locality of this claim with reference to some natural object or permanent monument and additional information  
(if any) concerning its locality are as follows: \_\_\_\_\_

1,449'E 378'S from NW corner Sec.10 T19N R20W to NW claim corner

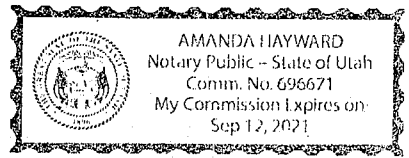
\_\_\_\_\_ The above information is shown on the attached map.

DATED AND POSTED on the ground this 16 day of October, 2017.

LOCATOR(s)  AGENT  
Print Name(s) Stuart Burgess  
Signature(s) \_\_\_\_\_

State of Utah  
County of Salt Lake

This instrument was signed and sworn to before me  
on 12/2/17 by Stuart Burgess  
(Name of signer)

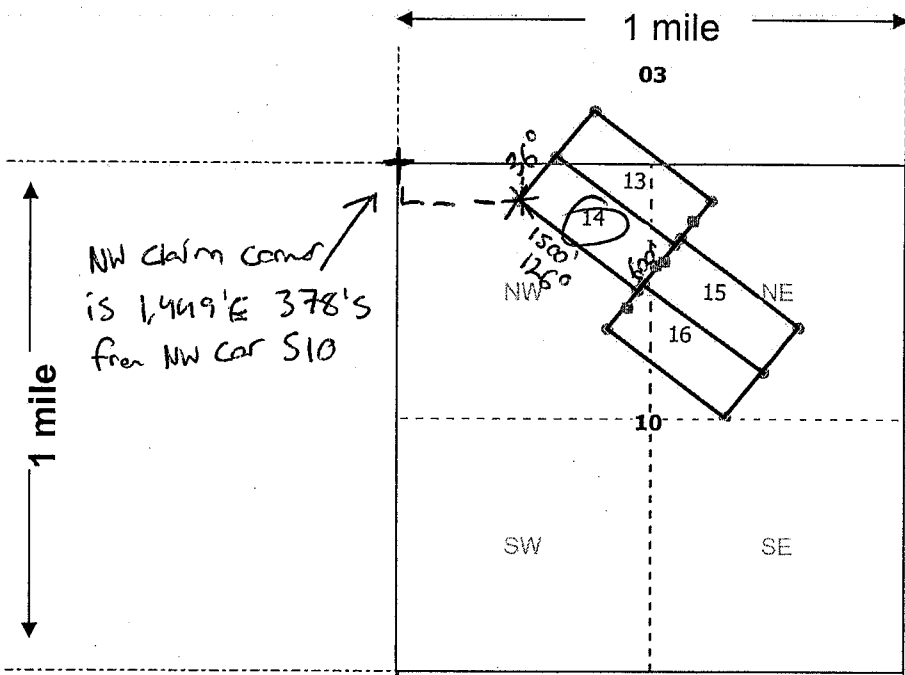


\_\_\_\_\_  
(Notary Signature)  
[Affix seal/stamp to the left or below]

AMC 448209

**MINING CLAIM MAP**

Lode (X) Placer ( )  
Millsite ( )



RECEIVED  
 BLM AZ STATE OFFICE  
 2017 DEC 20 A 10:55  
 PHOENIX, ARIZONA

Scale: 1" = 2000 feet

1. The above map depicts the GRMC 14 mining claim, which is located in Section (s) 3, 10, Township 19 N, Range 20 W, Gila and Salt River Base and Meridian, Mohave County, Arizona. Total claim acreage is 20

2. The type of corner and location monuments used are as follows: 2"X2"X50" wooden posts with metal tags or rock monument

3. The bearings and distances in degrees and feet between claim corners and to a public land survey monument are as depicted on the map.

4. If the claim is a placer or millsite claim with exterior limits conforming to legal subdivisions of the public survey, provide a legal description of the claim \_\_\_\_\_

**Form MCF100a**  
Revised July 2014

This form is available from the **Arizona Geology Survey** and may be reproduced.

AMC448209

2E

Gold Road Mining Corp.  
Suite 450, 1090 West Georgia Street  
Vancouver, BC V6E 3V7 Canada



FEE# 2017062198

OFFICIAL RECORDS  
OF MOHAVE COUNTY  
KRISTI BLAIR,  
COUNTY RECORDER



12/26/2017 02:27 PM Fee: \$10.00

PAGE: 1 of 2

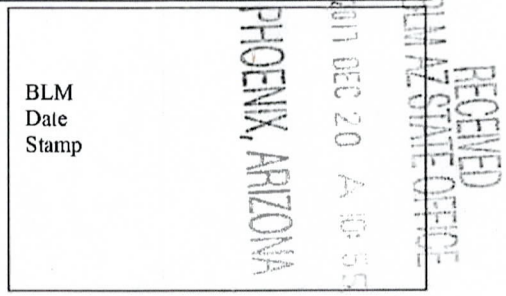
WHEN RECORDED MAIL TO (MC):

FENNEMORE CRAIG  
2394 EAST CAMELBACK RD  
SUITE 600  
PHOENIX AZ 85016

LOCATION NOTICE FOR LODE MINING CLAIM

Amendment BLM Serial # \_\_\_\_\_

NOTICE IS HEREBY GIVEN that the GRMC 15  
\_\_\_\_\_ lode mining claim has been located  
by Gold Road Mining Corp. whose current mailing  
address is Suite 450, 1090 West Georgia Street  
Vancouver, BC V6E 3V7 Canada



The general course of this claim is Northwest-Southeast and it is situated in Mohave  
County, Arizona. This claim is 1500 feet in length and 600 feet in width.

20 Total Claim Acreage. This claim runs from the location monument on which this location notice  
is posted on the centerline of the claim approximately 20 feet in a NW direction to the NW  
end line and 1480 feet in a SE direction to the SE end line. This claim is marked by six  
monuments, one at each corner and one at the center of each end line of the claim.

The location monument on which this notice is posted is situated within Section 10, Township 19  
N, Range 20 W, Gila Salt River Base and Meridian, Arizona and this claim encompasses portions  
of the following quarter section(s), section(s), Township(s) and Range(s) \_\_\_\_\_  
NE1/4 Sec.10 T19N R20W

Gila Salt River Base and Meridian, Arizona.

The locality of this claim with reference to some natural object or permanent monument and additional information  
(if any) concerning its locality are as follows: \_\_\_\_\_  
2,598'W 1,219'S from NE corner Sec.10 T19N R20W to NW claim corner

\_\_\_\_\_ The above information is shown on the attached map.

DATED AND POSTED on the ground this 16 day of October, 2017.

LOCATOR(s)  AGENT

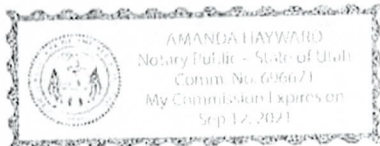
Print Name(s) Stuart Burgess

Signature(s) \_\_\_\_\_

State of Utah Salt Lake  
County of \_\_\_\_\_

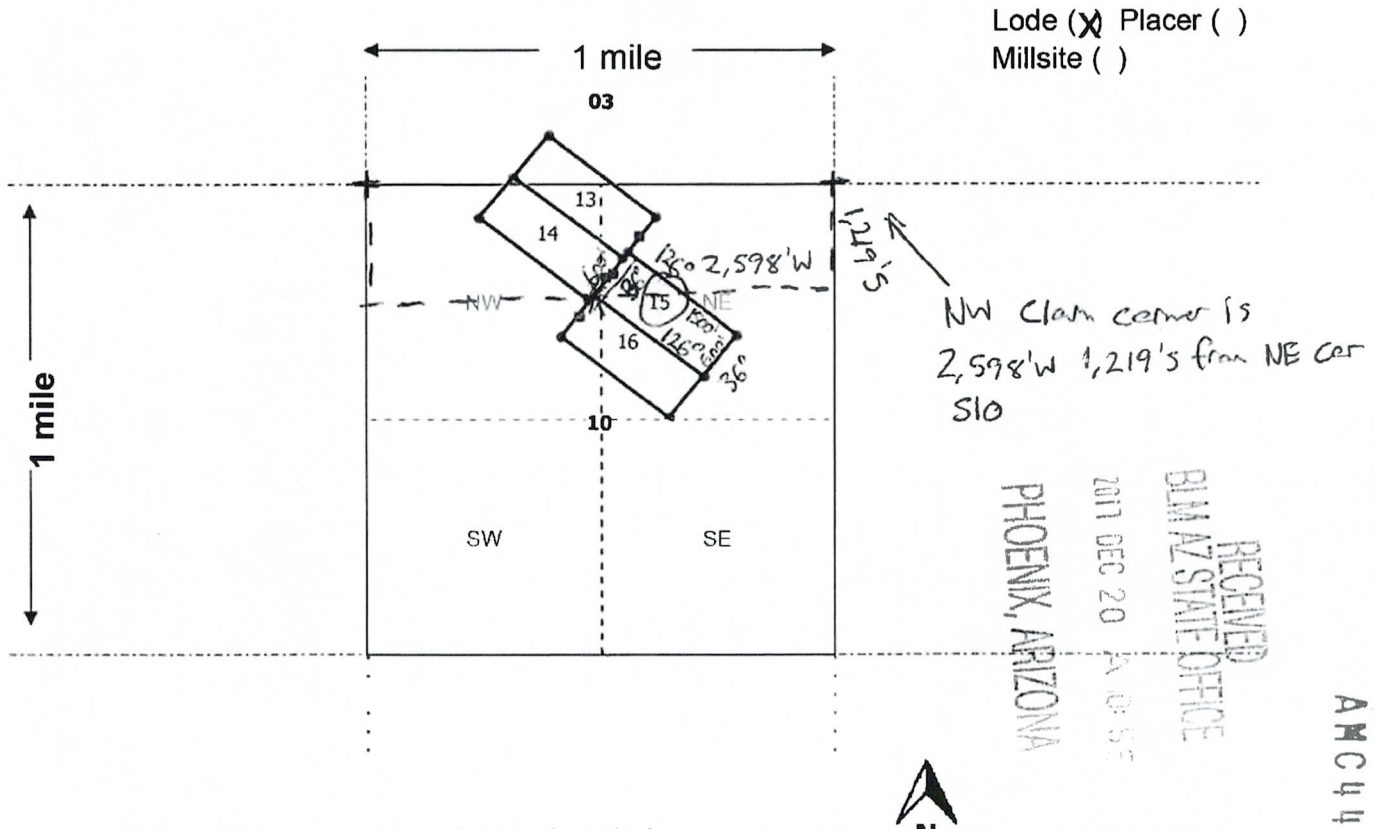
This instrument was signed and sworn to before me  
on 12/2/17 by Stuart Burgess  
(Name of signer)

AmH  
(Notary Signature)  
[Affix seal/stamp to the left or below]



AMC448210

**MINING CLAIM MAP**



Lode (X) Placer ( )  
Millsite ( )

NW claim corner is  
2,598' W 1,219' S from NE corner  
S10

RECEIVED  
BLM AZ STATE OFFICE  
2017 DEC 20 10:55  
PHOENIX, ARIZONA

AMC448210

Scale: 1" = 2000 feet

1. The above map depicts the GRMC 15 mining claim, which is located in Section (s) 10, Township 19 N, Range 20 W, Gila and Salt River Base and Meridian, Mohave County, Arizona. Total claim acreage is 20

2. The type of corner and location monuments used are as follows: 2"X2"X50" wooden posts with metal tags or rock monument

3. The bearings and distances in degrees and feet between claim corners and to a public land survey monument are as depicted on the map.

4. If the claim is a placer or millsite claim with exterior limits conforming to legal subdivisions of the public survey, provide a legal description of the claim \_\_\_\_\_

Form MCF100a  
Revised July 2014

This form is available from the Arizona Geology Survey and may be reproduced.

Gold Road Mining Corp.  
Suite 450, 1090 West Georgia Street  
Vancouver, BC V6E 3V7 Canada

LOCATION NOTICE FOR LODE MINING CLAIM

Amendment BLM Serial # \_\_\_\_\_

NOTICE IS HEREBY GIVEN that the GRMC 15  
\_\_\_\_\_ lode mining claim has been located  
by Gold Road Mining Corp. whose current mailing  
address is Suite 450, 1090 West Georgia Street  
Vancouver, BC V6E 3V7 Canada

RECEIVED  
BLM STATE OFFICE  
PHOENIX, ARIZONA  
2017 DEC 20 A 10:55  
BLM  
Date  
Stamp

The general course of this claim is Northwest-Southeast and it is situated in Mohave  
County, Arizona. This claim is 1500 feet in length and 600 feet in width.

20 Total Claim Acreage. This claim runs from the location monument on which this location notice  
is posted on the centerline of the claim approximately 20 feet in a NW direction to the NW  
end line and 1480 feet in a SE direction to the SE end line. This claim is marked by six  
monuments, one at each corner and one at the center of each end line of the claim.

The location monument on which this notice is posted is situated within Section 10, Township 19  
N, Range 20 W, Gila Salt River Base and Meridian, Arizona and this claim encompasses portions  
of the following quarter section(s), section(s), Township(s) and Range(s) \_\_\_\_\_  
NE1/4 Sec.10 T19N R20W

Gila Salt River Base and Meridian, Arizona.

The locality of this claim with reference to some natural object or permanent monument and additional information  
(if any) concerning its locality are as follows: \_\_\_\_\_

2,598'W 1,219'S from NE corner Sec.10 T19N R20W to NW claim corner

\_\_\_\_\_ The above information is shown on the attached map.

DATED AND POSTED on the ground this 16 day of October, 2017.

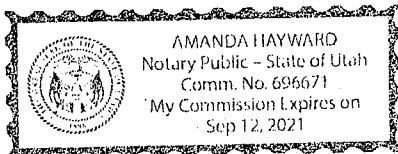
LOCATOR(s)  AGENT

Print Name(s) Stuart Burgess

Signature(s) \_\_\_\_\_

State of Utah  
County of Salt Lake

This instrument was signed and sworn to before me  
on 12/2/17 by Stuart Burgess  
(Name of signer)

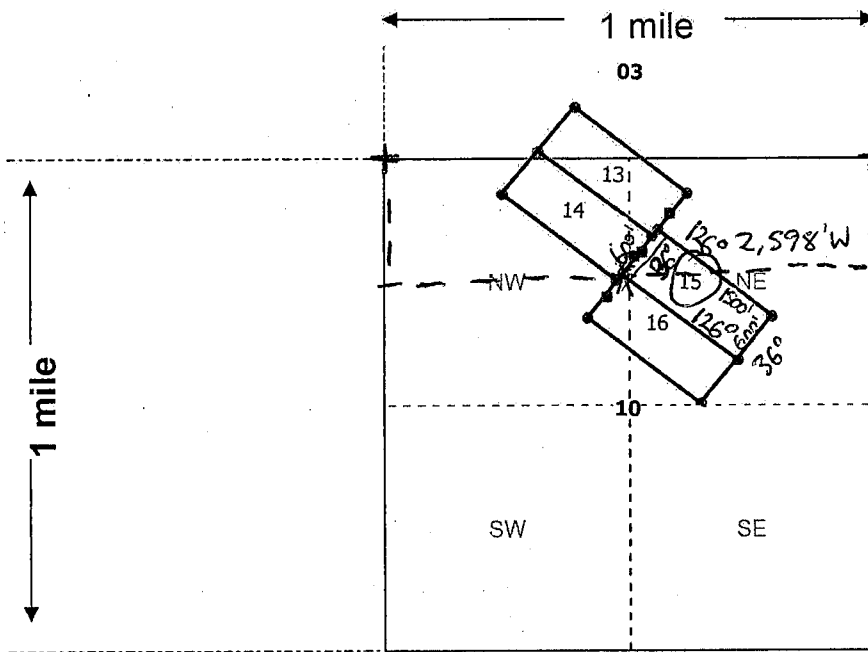


AntH  
(Notary Signature)  
[Affix seal/stamp to the left or below]

AMC448210

**MINING CLAIM MAP**

Lode (X) Placer ( )  
Millsite ( )



NW claim corner is  
2,598' W 1,219' S from NE corner

PHOENIX, ARIZONA

2011 DEC 20 A 10:55

RECEIVED  
BIA AZ STATE OFFICE

AMC 448210

Scale: 1" = 2000 feet



- The above map depicts the GRMC 15 mining claim, which is located in Section (s) 10, Township 19 N, Range 20 W, Gila and Salt River Base and Meridian, Mohave County, Arizona. Total claim acreage is 20
- The type of corner and location monuments used are as follows: 2"X2"X50" wooden posts with metal tags or rock monument
- The bearings and distances in degrees and feet between claim corners and to a public land survey monument are as depicted on the map.
- If the claim is a placer or millsite claim with exterior limits conforming to legal subdivisions of the public survey, provide a legal description of the claim \_\_\_\_\_

Form MCF100a  
Revised July 2014

This form is available from the Arizona Geology Survey and may be reproduced.



2E

Gold Road Mining Corp.  
Suite 450, 1090 West Georgia Street  
Vancouver, BC V6E 3V7 Canada

**FEE# 2017062199**

OFFICIAL RECORDS  
OF MOHAVE COUNTY  
KRISTI BLAIR,  
COUNTY RECORDER



12/26/2017 02:27 PM Fee: \$10.00

PAGE: 1 of 2

WHEN RECORDED MAIL TO (MC):

FENNEMORE CRAIG  
2394 EAST CAMELBACK RD  
SUITE 600  
PHOENIX AZ 85016

**LOCATION NOTICE FOR LODE MINING CLAIM**

Amendment BLM Serial # \_\_\_\_\_

NOTICE IS HEREBY GIVEN that the GRMC 16  
\_\_\_\_\_ lode mining claim has been located  
by Gold Road Mining Corp. whose current mailing  
address is Suite 450, 1090 West Georgia Street  
Vancouver, BC V6E 3V7 Canada

RECEIVED  
DEPT. OF STATE OFFICE  
PHOENIX, ARIZONA  
DEC 20 A 10:58  
BLM  
Date  
Stamp

The general course of this claim is Northwest-Southeast and it is situated in Mohave  
County, Arizona. This claim is 1500 feet in length and 600 feet in width.

20 Total Claim Acreage. This claim runs from the location monument on which this location notice  
is posted on the centerline of the claim approximately 20 feet in a NW direction to the NW  
end line and 1480 feet in a SE direction to the SE end line. This claim is marked by six  
monuments, one at each corner and one at the center of each end line of the claim.

The location monument on which this notice is posted is situated within Section 10, Township 19  
N, Range 20 W, Gila Salt River Base and Meridian, Arizona and this claim encompasses portions  
of the following quarter section(s), section(s), Township(s) and Range(s) \_\_\_\_\_  
NW1/4, NE1/4 Sec.10 T19N R20W

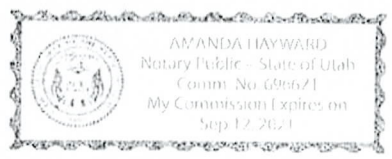
Gila Salt River Base and Meridian, Arizona.

The locality of this claim with reference to some natural object or permanent monument and additional information  
(if any) concerning its locality are as follows: \_\_\_\_\_  
2,329'E 1,689'S from NW corner Sec.10 T19N R20W to NW claim corner

\_\_\_\_\_ The above information is shown on the attached map.

DATED AND POSTED on the ground this 16 day of October, 2017.

LOCATOR(s)  AGENT  
Print Name(s) Stuart Burgess  
Signature(s) \_\_\_\_\_  
State of Utah  
County of Salt Lake

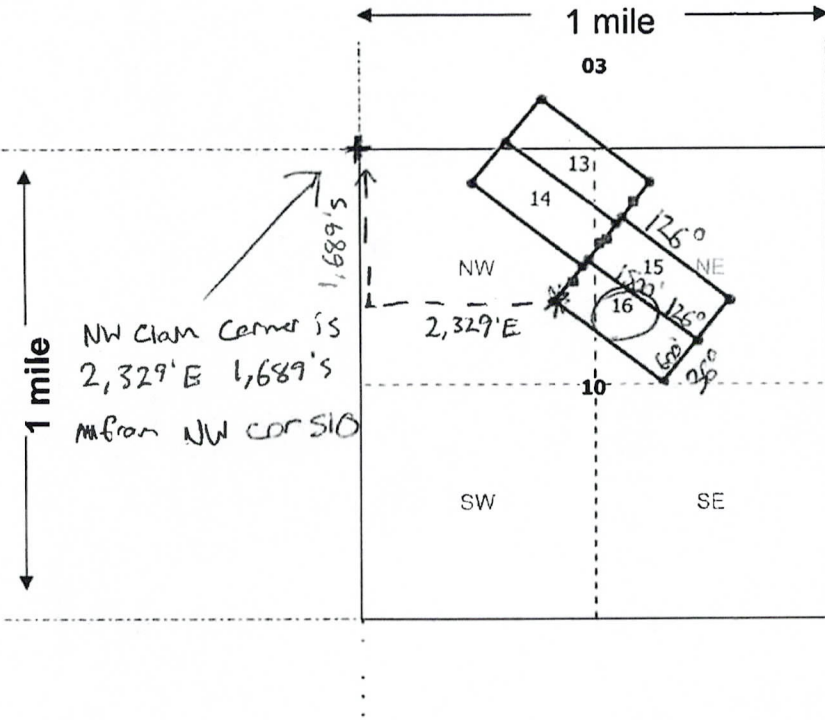


This instrument was signed and sworn to before me  
on 12/17 by Stuart Burgess  
(Name of signer)  
\_\_\_\_\_  
(Notary Signature)  
[Affix seal/stamp to the left or below]

AMC448211

**MINING CLAIM MAP**

Lode (X) Placer ( )  
Millsite ( )



RECEIVED  
 BLM AZ STATE OFFICE  
 2017 DEC 20 AM 10:57  
 PHOENIX, ARIZONA

Scale: 1" = 2000 feet

1. The above map depicts the GRMC 16 mining claim, which is located in Section (s) 10, Township 19 N, Range 20 W, Gila and Salt River Base and Meridian, Mohave County, Arizona. Total claim acreage is 20

2. The type of corner and location monuments used are as follows: 2"X2"X50" wooden posts with metal tags or rock monument

3. The bearings and distances in degrees and feet between claim corners and to a public land survey monument are as depicted on the map.

4. If the claim is a placer or millsite claim with exterior limits conforming to legal subdivisions of the public survey, provide a legal description of the claim \_\_\_\_\_

**Form MCF100a**  
Revised July 2014

This form is available from the **Arizona Geology Survey** and may be reproduced.

AMC448211

Gold Road Mining Corp.  
Suite 450, 1090 West Georgia Street  
Vancouver, BC V6E 3V7 Canada

**LOCATION NOTICE FOR LODE MINING CLAIM**

Amendment BLM Serial # \_\_\_\_\_

NOTICE IS HEREBY GIVEN that the GRMC 16  
\_\_\_\_\_ lode mining claim has been located  
by Gold Road Mining Corp. whose current mailing  
address is Suite 450, 1090 West Georgia Street  
Vancouver, BC V6E 3V7 Canada

BLM  
Date  
Stamp  
PHOENIX, ARIZONA  
2017 DEC 20 A 10:59  
BLM ARIZONA STATE OFFICE

RECEIVED  
BLM ARIZONA STATE OFFICE

The general course of this claim is Northwest-Southeast and it is situated in Mohave  
County, Arizona. This claim is 1500 feet in length and 600 feet in width.

20 Total Claim Acreage. This claim runs from the location monument on which this location notice  
is posted on the centerline of the claim approximately 20 feet in a NW direction to the NW  
end line and 1480 feet in a SE direction to the SE end line. This claim is marked by six  
monuments, one at each corner and one at the center of each end line of the claim.

The location monument on which this notice is posted is situated within Section 10, Township 19  
N, Range 20 W, Gila Salt River Base and Meridian, Arizona and this claim encompasses portions  
of the following quarter section(s), section(s), Township(s) and Range(s) \_\_\_\_\_  
NW1/4, NE1/4 Sec.10 T19N R20W

Gila Salt River Base and Meridian, Arizona.

The locality of this claim with reference to some natural object or permanent monument and additional information  
(if any) concerning its locality are as follows: \_\_\_\_\_

2,329'E 1,689'S from NW corner Sec.10 T19N R20W to NW claim corner

\_\_\_\_\_ The above information is shown on the attached map.  
DATED AND POSTED on the ground this 16 day of October, 2017.

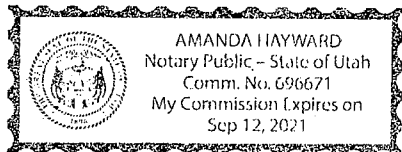
LOCATOR(s)  AGENT

Print Name(s) Stuart Burgess

Signature(s) \_\_\_\_\_

State of Utah  
County of Salt Lake

This instrument was signed and sworn to before me  
on 12/2/17 by Stuart Burgess  
(Name of signer)

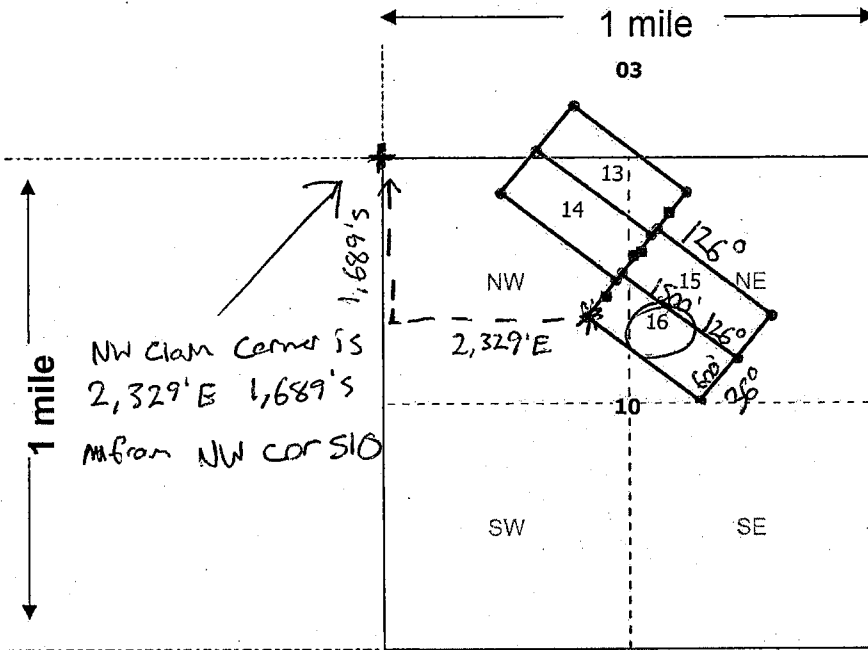


\_\_\_\_\_  
(Notary Signature)  
[Affix seal/stamp to the left or below]

AMC448211

**MINING CLAIM MAP**

Lode (X) Placer ( )  
Millsite ( )



RECEIVED  
 BLM AZ STATE OFFICE  
 2017 DEC 20 A 10:55  
 PHOENIX, ARIZONA

Scale: 1" = 2000 feet

1. The above map depicts the GRMC 16 mining claim, which is located in Section (s) 10, Township 19 N, Range 20 W, Gila and Salt River Base and Meridian, Mohave County, Arizona. Total claim acreage is 20

2. The type of corner and location monuments used are as follows: 2"X2"X50" wooden posts with metal tags or rock monument

3. The bearings and distances in degrees and feet between claim corners and to a public land survey monument are as depicted on the map.

4. If the claim is a placer or millsite claim with exterior limits conforming to legal subdivisions of the public survey, provide a legal description of the claim \_\_\_\_\_

Form MCF100a  
Revised July 2014

This form is available from the Arizona Geology Survey and may be reproduced.

AMC448211

2E

Gold Road Mining Corp.  
Suite 450, 1090 West Georgia Street  
Vancouver, BC V6E 3V7 Canada

FEE# 2017062200

OFFICIAL RECORDS  
OF MOHAVE COUNTY  
KRISTI BLAIR,  
COUNTY RECORDER



12/26/2017 02:27 PM Fee: \$10.00

PAGE: 1 of 2

WHEN RECORDED MAIL TO (MC):

FENNEMORE CRAIG  
2394 EAST CAMELBACK RD  
SUITE 600  
PHOENIX AZ. 85016

LOCATION NOTICE FOR LODE MINING CLAIM

Amendment BLM Serial # \_\_\_\_\_

NOTICE IS HEREBY GIVEN that the GRMC 17  
\_\_\_\_\_ lode mining claim has been located  
by Gold Road Mining Corp. whose current mailing  
address is Suite 450, 1090 West Georgia Street  
Vancouver, BC V6E 3V7 Canada

RECEIVED  
BLM AZ STATE OFFICE  
PHOENIX, ARIZONA  
DEC 20 A 10:57  
BLM  
Date  
Stamp

The general course of this claim is Northwest-Southeast and it is situated in Mohave  
County, Arizona. This claim is 1500 feet in length and 600 feet in width.

20 Total Claim Acreage. This claim runs from the location monument on which this location notice  
is posted on the centerline of the claim approximately 20 feet in a SE direction to the SE  
end line and 1480 feet in a NW direction to the NW end line. This claim is marked by six  
monuments, one at each corner and one at the center of each end line of the claim.

The location monument on which this notice is posted is situated within Section 11, Township 19  
N, Range W, Gila Salt River Base and Meridian, Arizona and this claim encompasses portions  
of the following quarter section(s), section(s), Township(s) and Range(s) \_\_\_\_\_  
SE1/4 Sec.10, SW1/4 Sec.11 T19N R20W

Gila Salt River Base and Meridian, Arizona.

The locality of this claim with reference to some natural object or permanent monument and additional information  
(if any) concerning its locality are as follows: \_\_\_\_\_  
616'W 2,053'N from SE corner Sec.10 T19N R20W to NW claim corner

\_\_\_\_\_ The above information is shown on the attached map.

DATED AND POSTED on the ground this 17 day of October, 2017.

LOCATOR(s)  AGENT

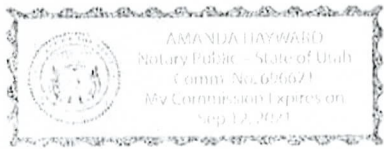
Print Name(s) Stuart Burgess

Signature(s) \_\_\_\_\_

State of Utah  
County of Salt Lake

This instrument was signed and sworn to before me  
on 12/2/17 by Stuart Burgess  
(Name of signer)

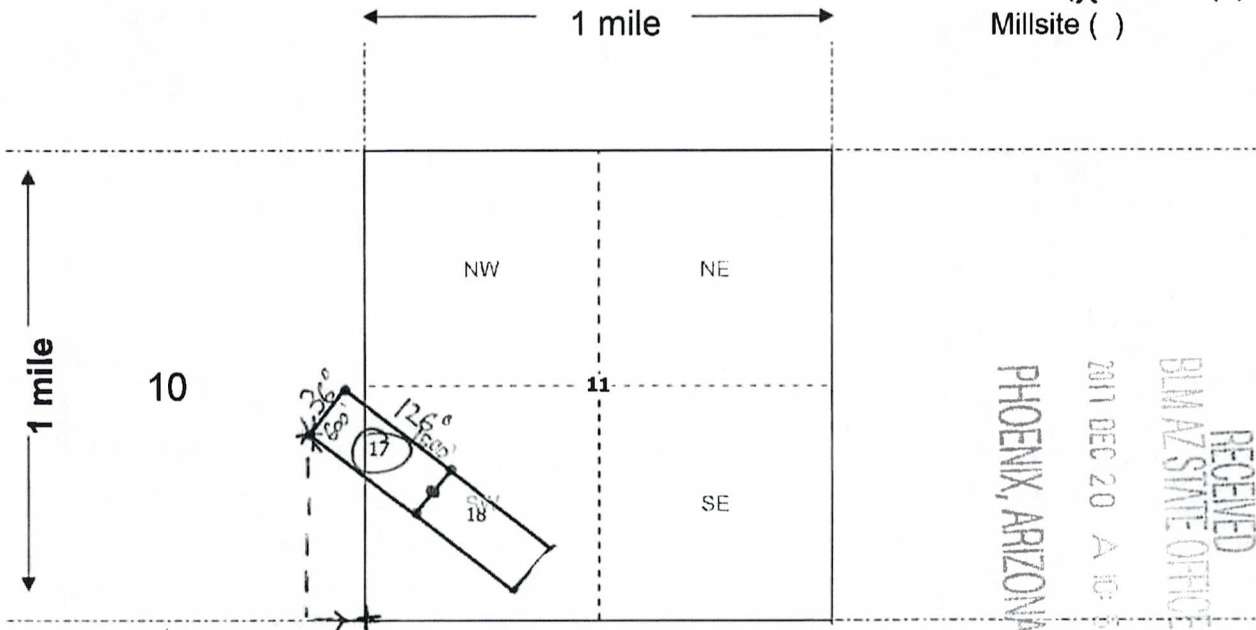
\_\_\_\_\_  
(Notary Signature)  
[Affix seal/stamp to the left or below]



AMC 4 8 2 1 2

**MINING CLAIM MAP**

Lode (X) Placer ( )  
Millsite ( )



NW claim corner is 7'  
616'W 2,053'N from  
SE cor S10

RECEIVED  
BIMAZ STATE OFFICE  
2011 DEC 20 A 10:55  
PHOENIX, ARIZONA

Scale: 1" = 2000 feet



AMC 448212

- The above map depicts the GRMC 17 mining claim, which is located in Section (s) 10,11, Township 19 N, Range 20 W, Gila and Salt River Base and Meridian, Mohave County, Arizona. Total claim acreage is 20
- The type of corner and location monuments used are as follows: 2"X2"X50" wooden posts with metal tags or rock monument
- The bearings and distances in degrees and feet between claim corners and to a public land survey monument are as depicted on the map.
- If the claim is a placer or millsite claim with exterior limits conforming to legal subdivisions of the public survey, provide a legal description of the claim \_\_\_\_\_

Form MCF100a  
Revised July 2014

Gold Road Mining Corp.  
Suite 450, 1090 West Georgia Street  
Vancouver, BC V6E 3V7 Canada

LOCATION NOTICE FOR LODE MINING CLAIM

Amendment BLM Serial # \_\_\_\_\_

NOTICE IS HEREBY GIVEN that the GRMC 17  
\_\_\_\_\_ lode mining claim has been located  
by Gold Road Mining Corp. whose current mailing  
address is Suite 450, 1090 West Georgia Street  
Vancouver, BC V6E 3V7 Canada

RECEIVED  
BLM STATE OFFICE  
PHOENIX, ARIZONA  
2017 DEC 20 A 10:57  
BLM  
Date  
Stamp

The general course of this claim is Northwest-Southeast and it is situated in Mohave  
County, Arizona. This claim is 1500 feet in length and 600 feet in width.

20 Total Claim Acreage. This claim runs from the location monument on which this location notice  
is posted on the centerline of the claim approximately 20 feet in a SE direction to the SE  
end line and 1480 feet in a NW direction to the NW end line. This claim is marked by six  
monuments, one at each corner and one at the center of each end line of the claim.

The location monument on which this notice is posted is situated within Section 11, Township 19  
N, Range W, Gila Salt River Base and Meridian, Arizona and this claim encompasses portions  
of the following quarter section(s), section(s), Township(s) and Range(s) \_\_\_\_\_  
SE1/4 Sec.10, SW1/4 Sec.11 T19N R20W

Gila Salt River Base and Meridian, Arizona.

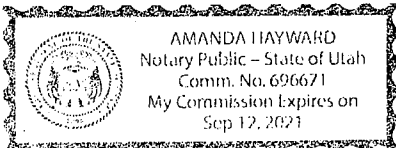
The locality of this claim with reference to some natural object or permanent monument and additional information  
(if any) concerning its locality are as follows: \_\_\_\_\_  
616'W 2,053'N from SE corner Sec.10 T19N R20W to NW claim corner

\_\_\_\_\_ The above information is shown on the attached map.  
DATED AND POSTED on the ground this 17 day of October, 2017.

LOCATOR(s)  AGENT  
Print Name(s) Stuart Burgess  
Signature(s) \_\_\_\_\_

State of Utah  
County of Salt Lake

This instrument was signed and sworn to before me  
on 12/2/17 by Stuart Burgess  
(Name of signer)

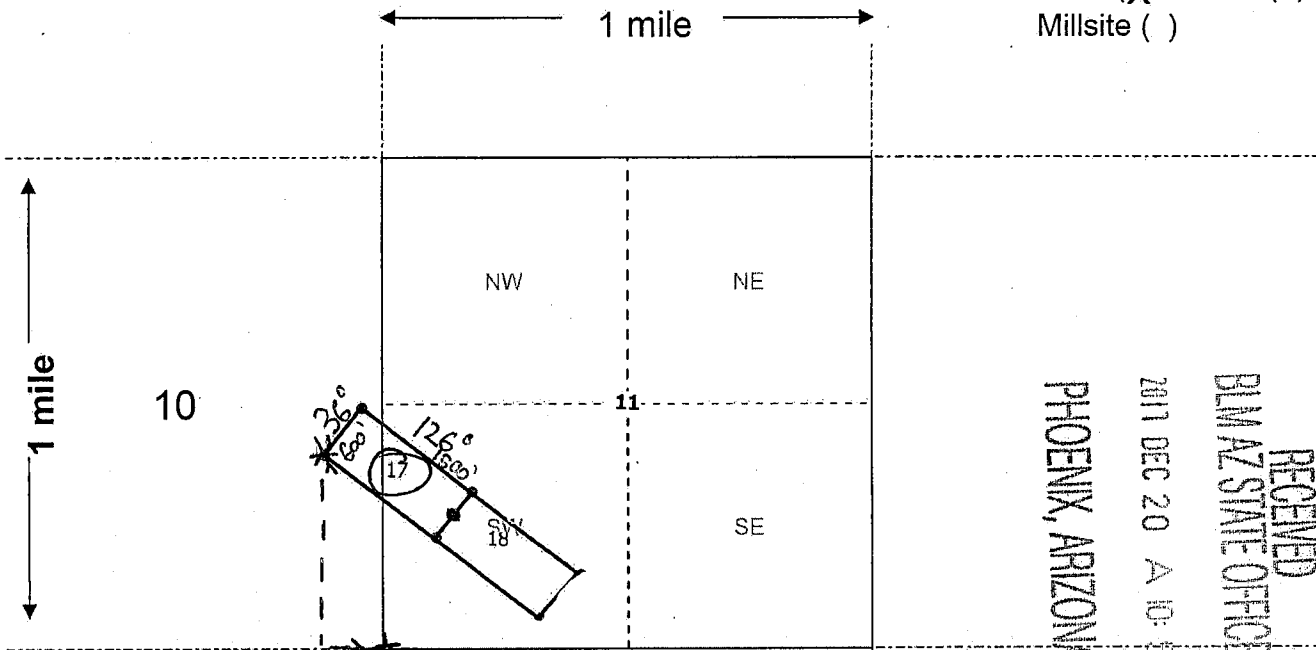


\_\_\_\_\_  
(Notary Signature)  
[Affix seal/stamp to the left or below]

AMC448212

**MINING CLAIM MAP**

Lode (X) Placer ( )  
Millsite ( )



NW claim corner is 7'  
616'W 2,053'N from  
SE cor S10

RECEIVED  
BLM AZ STATE OFFICE  
2011 DEC 20 A 10:55  
PHOENIX, ARIZONA

Scale: 1" = 2000 feet

1. The above map depicts the GRMC 17 mining claim, which is located in Section (s) 10, 11, Township 19 N, Range 20 W, Gila and Salt River Base and Meridian, Mohave County, Arizona. Total claim acreage is 20

2. The type of corner and location monuments used are as follows: 2"X2"X50" wooden posts with metal tags or rock monument

3. The bearings and distances in degrees and feet between claim corners and to a public land survey monument are as depicted on the map.

4. If the claim is a placer or millsite claim with exterior limits conforming to legal subdivisions of the public survey, provide a legal description of the claim \_\_\_\_\_

Form MCF100a  
Revised July 2014

This form is available from the Arizona Geology Survey and may be reproduced.

AMC448212



2E

Gold Road Mining Corp.  
Suite 450, 1090 West Georgia Street  
Vancouver, BC V6E 3V7 Canada

**FEE# 2017062201**

OFFICIAL RECORDS  
OF MOHAVE COUNTY  
KRISTI BLAIR,  
COUNTY RECORDER



12/26/2017 02:27 PM Fee: \$10.00

PAGE: 1 of 2

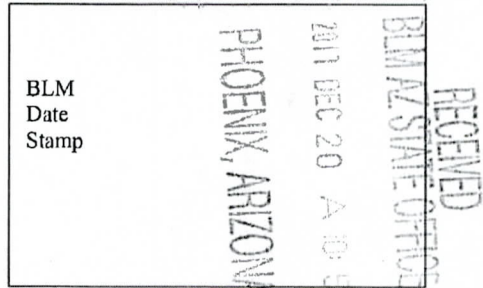
WHEN RECORDED MAIL TO (MC):

FENNEMORE CRAIG  
2394 EAST CAMELBACK RD  
SUITE 600  
PHOENIX AZ 85016

**LOCATION NOTICE FOR LODE MINING CLAIM**

Amendment BLM Serial # \_\_\_\_\_

NOTICE IS HEREBY GIVEN that the GRMC 18  
\_\_\_\_\_ lode mining claim has been located  
by Gold Road Mining Corp. whose current mailing  
address is Suite 450, 1090 West Georgia Street  
Vancouver, BC V6E 3V7 Canada



The general course of this claim is Northwest-Southeast and it is situated in Mohave  
County, Arizona. This claim is 1500 feet in length and 600 feet in width.

20 Total Claim Acreage. This claim runs from the location monument on which this location notice  
is posted on the centerline of the claim approximately 20 feet in a NW direction to the NW  
end line and 1480 feet in a SE direction to the SE end line. This claim is marked by six  
monuments, one at each corner and one at the center of each end line of the claim.

The location monument on which this notice is posted is situated within Section 11, Township 19  
N, Range W, Gila Salt River Base and Meridian, Arizona and this claim encompasses portions  
of the following quarter section(s), section(s), Township(s) and Range(s) \_\_\_\_\_  
SW1/4 Sec.11 T19N R20W

Gila Salt River Base and Meridian, Arizona.

The locality of this claim with reference to some natural object or permanent monument and additional information  
(if any) concerning its locality are as follows: \_\_\_\_\_  
4,695'W 4,102'S from NE corner Sec.11 T19N R20W to NW claim corner

\_\_\_\_\_ The above information is shown on the attached map.

DATED AND POSTED on the ground this 17 day of October, 2017.

LOCATOR(s)  AGENT

Print Name(s) Stuart Burgess

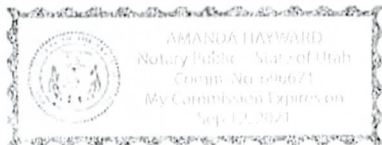
Signature(s) \_\_\_\_\_

State of Utah  
County of Salt Lake

This instrument was signed and sworn to before me  
on 12/21/17 by Stuart Burgess  
(Name of signer)

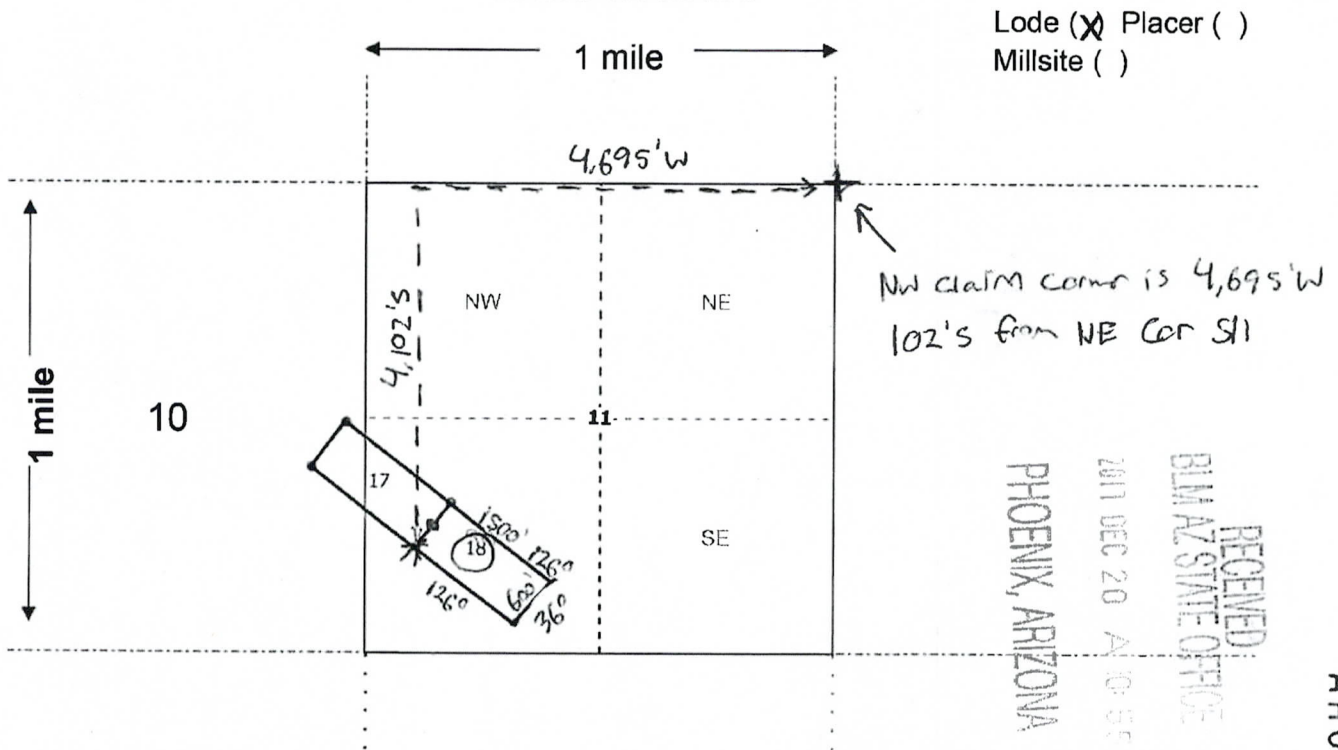
\_\_\_\_\_  
(Notary Signature)

[Affix seal/stamp to the left or below]



AMC448213

**MINING CLAIM MAP**



RECEIVED  
 BLM AZ STATE OFFICE  
 PHOENIX, ARIZONA  
 2011 DEC 20 AM 10:55

AMC448213

Scale: 1" = 2000 feet

- The above map depicts the GRMC 18 mining claim, which is located in Section (s) 11, Township 19 N, Range 20 W, Gila and Salt River Base and Meridian, Mohave County, Arizona. Total claim acreage is 20
- The type of corner and location monuments used are as follows: 2"X2"X50" wooden posts with metal tags or rock monument
- The bearings and distances in degrees and feet between claim corners and to a public land survey monument are as depicted on the map.
- If the claim is a placer or millsite claim with exterior limits conforming to legal subdivisions of the public survey, provide a legal description of the claim \_\_\_\_\_

Form MCF100a  
Revised July 2014

This form is available from the Arizona Geology Survey and may be reproduced.

Gold Road Mining Corp.  
Suite 450, 1090 West Georgia Street  
Vancouver, BC V6E 3V7 Canada

LOCATION NOTICE FOR LODE MINING CLAIM

Amendment BLM Serial # \_\_\_\_\_

NOTICE IS HEREBY GIVEN that the GRMC 18  
\_\_\_\_\_ lode mining claim has been located  
by Gold Road Mining Corp. whose current mailing  
address is Suite 450, 1090 West Georgia Street  
Vancouver, BC V6E 3V7 Canada

RECEIVED  
BLM AZ STATE OFFICE  
2017 DEC 20 A 10:55  
PHOENIX, ARIZONA  
BLM  
Date  
Stamp

The general course of this claim is Northwest-Southeast and it is situated in Mohave  
County, Arizona. This claim is 1500 feet in length and 600 feet in width.

20 Total Claim Acreage. This claim runs from the location monument on which this location notice  
is posted on the centerline of the claim approximately 20 feet in a NW direction to the NW  
end line and 1480 feet in a SE direction to the SE end line. This claim is marked by six  
monuments, one at each corner and one at the center of each end line of the claim.

The location monument on which this notice is posted is situated within Section 11, Township 19  
N, Range W, Gila Salt River Base and Meridian, Arizona and this claim encompasses portions  
of the following quarter section(s), section(s), Township(s) and Range(s) \_\_\_\_\_  
SW1/4 Sec.11 T19N R20W

Gila Salt River Base and Meridian, Arizona.

The locality of this claim with reference to some natural object or permanent monument and additional information  
(if any) concerning its locality are as follows: \_\_\_\_\_

4,695'W 4,102'S from NE corner Sec.11 T19N R20W to NW claim corner

\_\_\_\_\_ The above information is shown on the attached map.

DATED AND POSTED on the ground this 17 day of October, 2017.

LOCATOR(s)  AGENT

Print Name(s) Stuart Burgess

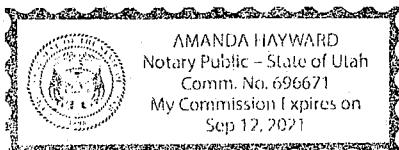
Signature(s) \_\_\_\_\_

State of Utah  
County of Salt Lake

This instrument was signed and sworn to before me  
on 12/2/17 by Stuart Burgess  
(Name of signer)

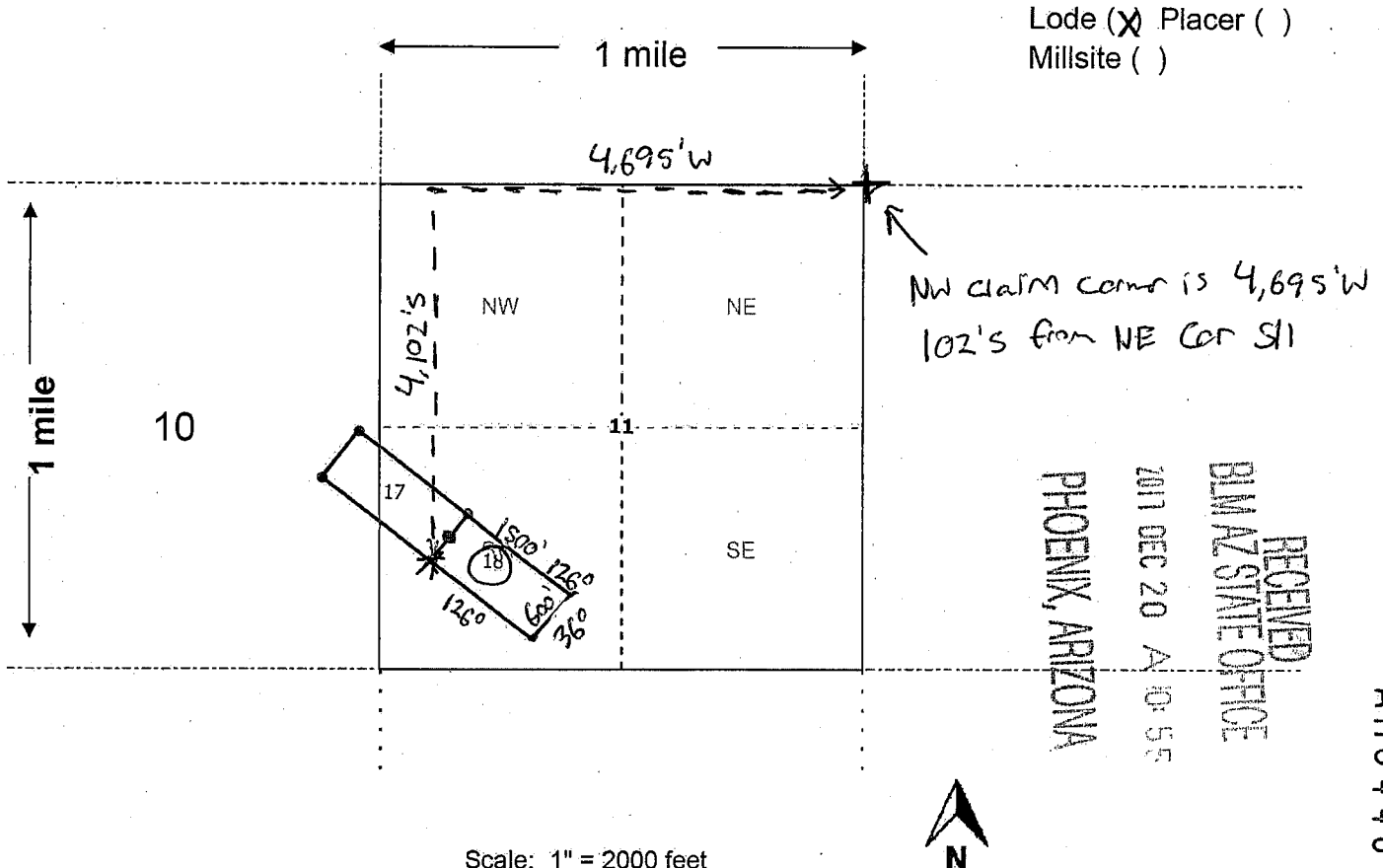
AMH  
(Notary Signature)

[Affix seal/stamp to the left or below]



AMC448213

**MINING CLAIM MAP**



1. The above map depicts the GRMC 18 mining claim, which is located in Section (s) 11, Township 19 N, Range 20 W, Gila and Salt River Base and Meridian, Mohave County, Arizona. Total claim acreage is 20

2. The type of corner and location monuments used are as follows: 2"X2"X50" wooden posts with metal tags or rock monument

3. The bearings and distances in degrees and feet between claim corners and to a public land survey monument are as depicted on the map.

4. If the claim is a placer or millsite claim with exterior limits conforming to legal subdivisions of the public survey, provide a legal description of the claim \_\_\_\_\_

Form MCF100a  
Revised July 2014

This form is available from the Arizona Geology Survey and may be reproduced.

AMC448213

2E

Gold Road Mining Corp.  
Suite 450, 1090 West Georgia Street  
Vancouver, BC V6E 3V7 Canada

FEE# 2017062202

OFFICIAL RECORDS  
OF MOHAVE COUNTY  
KRISTI BLAIR,  
COUNTY RECORDER



12/26/2017 02:27 PM Fee: \$10.00

PAGE: 1 of 2

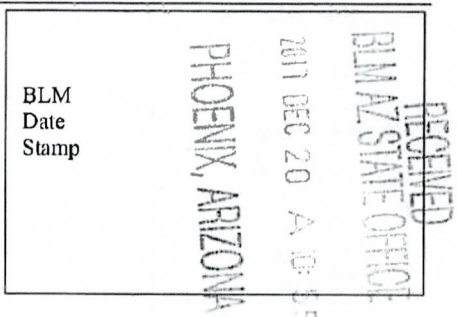
WHEN RECORDED MAIL TO (MC):

FENNEMORE CRAIG  
2394 EAST CAMELBACK RD  
SUITE 600  
PHOENIX AZ 85016

**LOCATION NOTICE FOR LODE MINING CLAIM**

Amendment BLM Serial # \_\_\_\_\_

NOTICE IS HEREBY GIVEN that the GRMC 19  
\_\_\_\_\_ lode mining claim has been located  
by Gold Road Mining Corp. whose current mailing  
address is Suite 450, 1090 West Georgia Street  
Vancouver, BC V6E 3V7 Canada



The general course of this claim is Northwest-Southeast and it is situated in Mohave  
County, Arizona. This claim is 1500 feet in length and 600 feet in width.

20 Total Claim Acreage. This claim runs from the location monument on which this location notice  
is posted on the centerline of the claim approximately 20 feet in a SE direction to the SE  
end line and 1480 feet in a NW direction to the NW end line. This claim is marked by six  
monuments, one at each corner and one at the center of each end line of the claim.

The location monument on which this notice is posted is situated within Section 14, Township 19  
N, Range 20 W, Gila Salt River Base and Meridian, Arizona and this claim encompasses portions  
of the following quarter section(s), section(s), Township(s) and Range(s) \_\_\_\_\_  
SW1/4, SE1/4 Sec. 11, NE1/4, NW1/4 Sec. 14 T19N R20W

Gila Salt River Base and Meridian, Arizona.

The locality of this claim with reference to some natural object or permanent monument and additional information  
(if any) concerning its locality are as follows: \_\_\_\_\_  
3,575'W 4,972'S from NE corner Sec. 11 T19N R20W to NW claim corner

\_\_\_\_\_ The above information is shown on the attached map.

DATED AND POSTED on the ground this 17 day of October, 2017.

LOCATOR(s)  AGENT

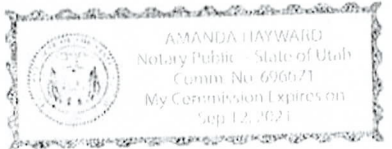
Print Name(s) Stuart Burgess

Signature(s) \_\_\_\_\_

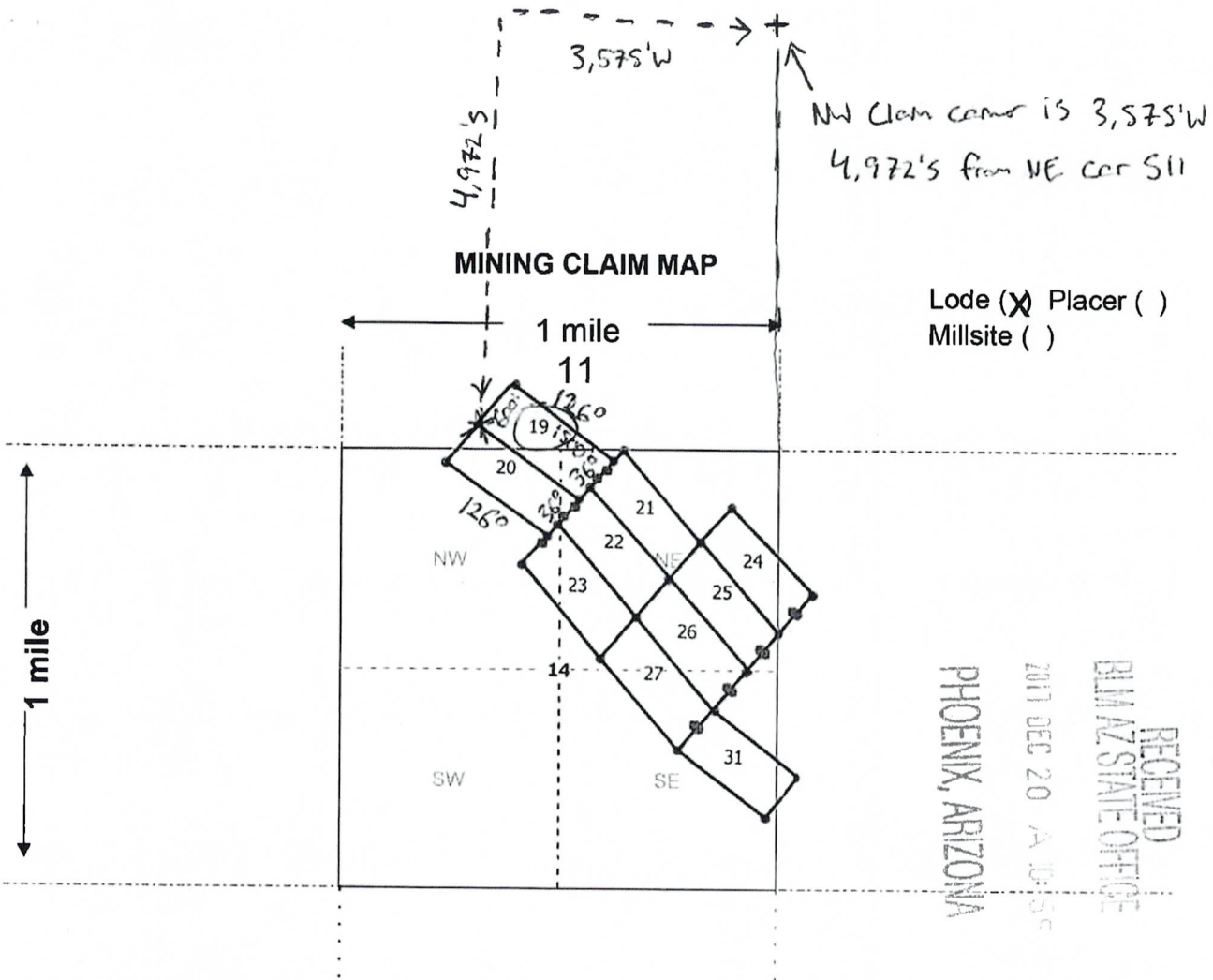
State of Utah Salt Lake  
County of \_\_\_\_\_

This instrument was signed and sworn to before me  
on 12/21/17 by Stuart Burgess  
(Name of signer)

\_\_\_\_\_  
(Notary Signature)  
[Affix seal/stamp to the left or below]



AMC 448214



Scale: 1" = 2000 feet



1. The above map depicts the GRMC 19 mining claim, which is located in Section (s) 11,14, Township 19 N, Range 20 W, Gila and Salt River Base and Meridian, Mohave County, Arizona. Total claim acreage is 20
2. The type of corner and location monuments used are as follows: 2"X2"X50" wooden posts with metal tags or rock monument
3. The bearings and distances in degrees and feet between claim corners and to a public land survey monument are as depicted on the map.
4. If the claim is a placer or millsite claim with exterior limits conforming to legal subdivisions of the public survey, provide a legal description of the claim \_\_\_\_\_

Form MCF100a  
Revised July 2014

This form is available from the Arizona Geology Survey and may be reproduced.

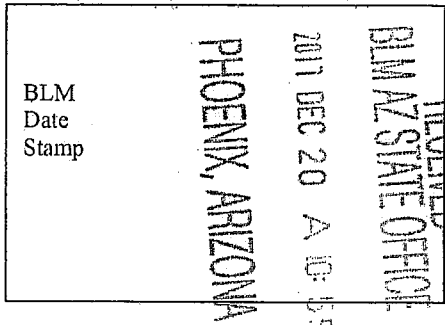
AMC448214

Gold Road Mining Corp.  
Suite 450, 1090 West Georgia Street  
Vancouver, BC V6E 3V7 Canada

**LOCATION NOTICE FOR LODE MINING CLAIM**

Amendment BLM Serial # \_\_\_\_\_

NOTICE IS HEREBY GIVEN that the GRMC 19  
\_\_\_\_\_ lode mining claim has been located  
by Gold Road Mining Corp. whose current mailing  
address is Suite 450, 1090 West Georgia Street  
Vancouver, BC V6E 3V7 Canada



The general course of this claim is Northwest-Southeast and it is situated in Mohave  
County, Arizona. This claim is 1500 feet in length and 600 feet in width.

20 Total Claim Acreage. This claim runs from the location monument on which this location notice  
is posted on the centerline of the claim approximately 20 feet in a SE direction to the SE  
end line and 1480 feet in a NW direction to the NW end line. This claim is marked by six  
monuments, one at each corner and one at the center of each end line of the claim.

The location monument on which this notice is posted is situated within Section 14, Township 19  
N, Range 20 W, Gila Salt River Base and Meridian, Arizona and this claim encompasses portions  
of the following quarter section(s), section(s), Township(s) and Range(s) \_\_\_\_\_  
SW1/4, SE1/4 Sec.11, NE1/4, NW1/4 Sec.14 T19N R20W

Gila Salt River Base and Meridian, Arizona.

The locality of this claim with reference to some natural object or permanent monument and additional information  
(if any) concerning its locality are as follows: \_\_\_\_\_  
3,575'W 4,972'S from NE corner Sec.11 T19N R20W to NW claim corner

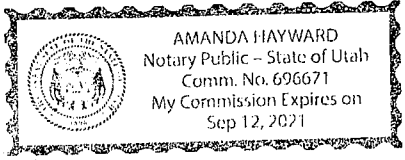
\_\_\_\_\_ The above information is shown on the attached map.

DATED AND POSTED on the ground this 17 day of October, 2017.

LOCATOR(s)  AGENT  
Print Name(s) Stuart Burgess  
Signature(s) \_\_\_\_\_

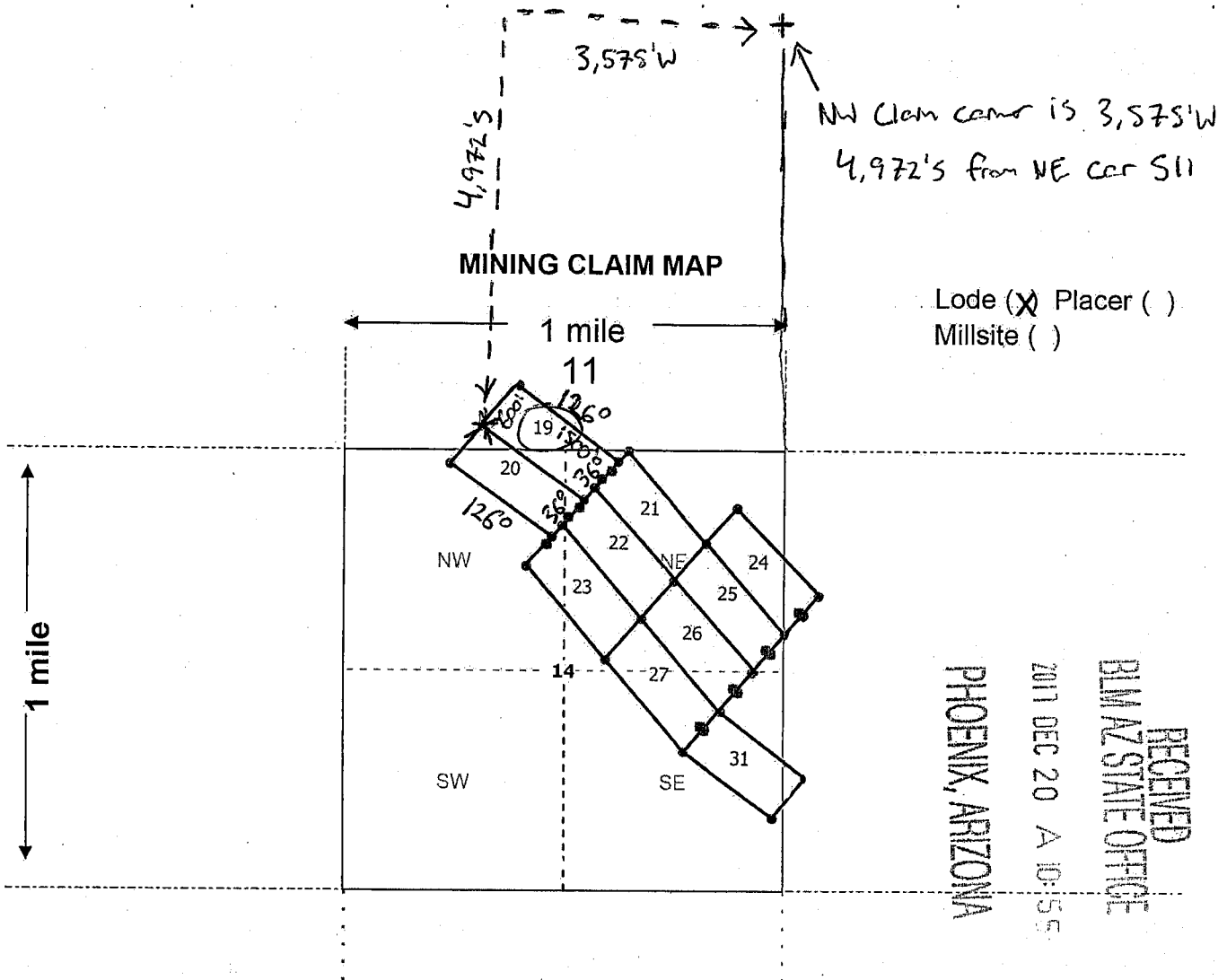
State of Utah  
County of Salt Lake

This instrument was signed and sworn to before me  
on 12/2/17 by Stuart Burgess  
(Name of signer)



\_\_\_\_\_  
(Notary Signature)  
[Affix seal/stamp to the left or below]

AMC 448214



Scale: 1" = 2000 feet



1. The above map depicts the GRMC 19 mining claim, which is located in Section (s) 11, 14, Township 19 N, Range 20 W, Gila and Salt River Base and Meridian, Mohave County, Arizona. Total claim acreage is 20

2. The type of corner and location monuments used are as follows: 2"X2"X50" wooden posts with metal tags or rock monument

3. The bearings and distances in degrees and feet between claim corners and to a public land survey monument are as depicted on the map.

4. If the claim is a placer or millsite claim with exterior limits conforming to legal subdivisions of the public survey, provide a legal description of the claim \_\_\_\_\_

Form MCF100a  
Revised July 2014

This form is available from the Arizona Geology Survey and may be reproduced.

AMC 448214



2E

Gold Road Mining Corp.  
Suite 450, 1090 West Georgia Street  
Vancouver, BC V6E 3V7 Canada

FEE# 2017062203

OFFICIAL RECORDS  
OF MOHAVE COUNTY  
KRISTI BLAIR,  
COUNTY RECORDER



12/26/2017 02:27 PM Fee: \$10.00

PAGE: 1 of 2

WHEN RECORDED MAIL TO (MC):

FENNEMORE CRAIG  
2394 EAST CAMELBACK RD  
SUITE 600  
PHOENIX AZ 85016

LOCATION NOTICE FOR LODE MINING CLAIM

Amendment BLM Serial # \_\_\_\_\_

NOTICE IS HEREBY GIVEN that the GRMC 20  
\_\_\_\_\_ lode mining claim has been located  
by Gold Road Mining Corp. whose current mailing  
address is Suite 450, 1090 West Georgia Street  
Vancouver, BC V6E 3V7 Canada

RECEIVED  
BLM AZ STATE OFFICE  
2017 DEC 20 A 3:14  
PHOENIX, ARIZONA  
BLM  
Date  
Stamp

The general course of this claim is Northwest-Southeast and it is situated in Mohave  
County, Arizona. This claim is 1500 feet in length and 600 feet in width.

20 Total Claim Acreage. This claim runs from the location monument on which this location notice  
is posted on the centerline of the claim approximately 20 feet in a SE direction to the SE  
end line and 1480 feet in a NW direction to the NW end line. This claim is marked by six  
monuments, one at each corner and one at the center of each end line of the claim.

The location monument on which this notice is posted is situated within Section 14, Township 19  
N, Range 20 W, Gila Salt River Base and Meridian, Arizona and this claim encompasses portions  
of the following quarter section(s), section(s), Township(s) and Range(s) \_\_\_\_\_  
SW1/4 Sec.11, NE1/4, NW1/4 Sec.14 T19N R20W

Gila Salt River Base and Meridian, Arizona.

The locality of this claim with reference to some natural object or permanent monument and additional information  
(if any) concerning its locality are as follows: \_\_\_\_\_  
1,304'E 152'S from NW corner Sec.14 T19N R20W to NW claim corner

\_\_\_\_\_ The above information is shown on the attached map.

DATED AND POSTED on the ground this 17 day of October, 2017.

LOCATOR(s)  AGENT

Print Name(s) Stuart Burgess

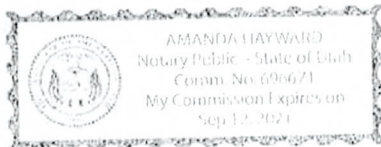
Signature(s) \_\_\_\_\_

State of Utah  
County of Salt Lake

This instrument was signed and sworn to before me  
on 12/21/17 by Stuart Burgess  
(Name of signer)

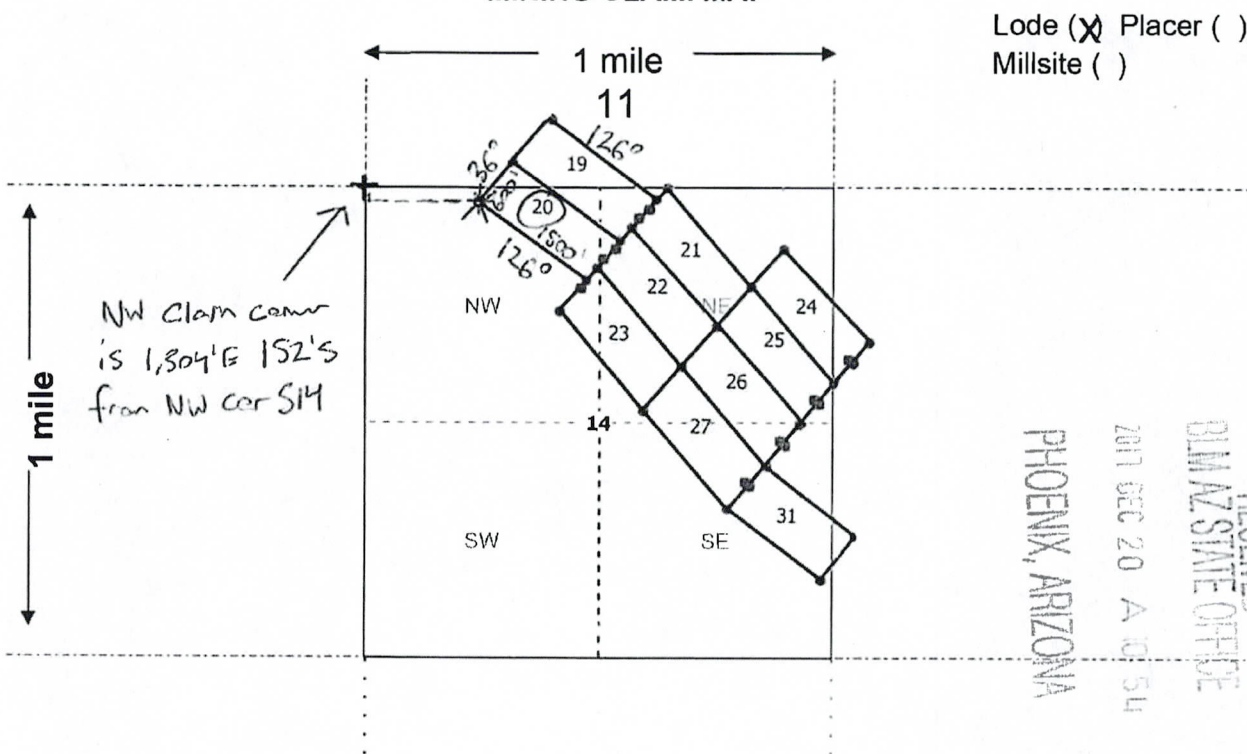
\_\_\_\_\_  
(Notary Signature)

[Affix seal/stamp to the left or below]



AMC448215

**MINING CLAIM MAP**



AMC 448215

Scale: 1" = 2000 feet



- The above map depicts the GRMC 20 mining claim, which is located in Section (s) 11, 14, Township 19 N, Range 20 W, Gila and Salt River Base and Meridian, Mohave County, Arizona. Total claim acreage is 20
- The type of corner and location monuments used are as follows: 2"X2"X50" wooden posts with metal tags or rock monument
- The bearings and distances in degrees and feet between claim corners and to a public land survey monument are as depicted on the map.
- If the claim is a placer or millsite claim with exterior limits conforming to legal subdivisions of the public survey, provide a legal description of the claim \_\_\_\_\_

Form MCF100a  
Revised July 2014

This form is available from the **Arizona Geology Survey** and may be reproduced.

Gold Road Mining Corp.  
Suite 450, 1090 West Georgia Street  
Vancouver, BC V6E 3V7 Canada

LOCATION NOTICE FOR LODE MINING CLAIM

Amendment BLM Serial # \_\_\_\_\_

NOTICE IS HEREBY GIVEN that the GRMC 20  
\_\_\_\_\_ lode mining claim has been located  
by Gold Road Mining Corp. whose current mailing  
address is Suite 450, 1090 West Georgia Street  
Vancouver, BC V6E 3V7 Canada

RECEIVED  
BLM AZ STATE OFFICE  
2017 DEC 20 A 10:15  
PHOENIX, ARIZONA  
BLM  
Date  
Stamp

The general course of this claim is Northwest-Southeast and it is situated in Mohave  
County, Arizona. This claim is 1500 feet in length and 600 feet in width.

20 Total Claim Acreage. This claim runs from the location monument on which this location notice  
is posted on the centerline of the claim approximately 20 feet in a SE direction to the SE  
end line and 1480 feet in a NW direction to the NW end line. This claim is marked by six  
monuments, one at each corner and one at the center of each end line of the claim.

The location monument on which this notice is posted is situated within Section 14, Township 19  
N, Range 20 W, Gila Salt River Base and Meridian, Arizona and this claim encompasses portions  
of the following quarter section(s), section(s), Township(s) and Range(s) \_\_\_\_\_  
SW1/4 Sec.11, NE1/4, NW1/4 Sec.14 T19N R20W

Gila Salt River Base and Meridian, Arizona.

The locality of this claim with reference to some natural object or permanent monument and additional information  
(if any) concerning its locality are as follows: \_\_\_\_\_  
1,304'E 152'S from NW corner Sec.14 T19N R20W to NW claim corner

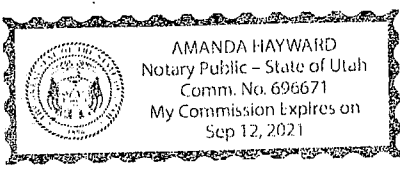
\_\_\_\_\_ The above information is shown on the attached map.

DATED AND POSTED on the ground this 17 day of October, 2017.

LOCATOR(s)  AGENT  
Print Name(s) Stuart Burgess  
Signature(s) \_\_\_\_\_

State of Utah  
County of Salt Lake

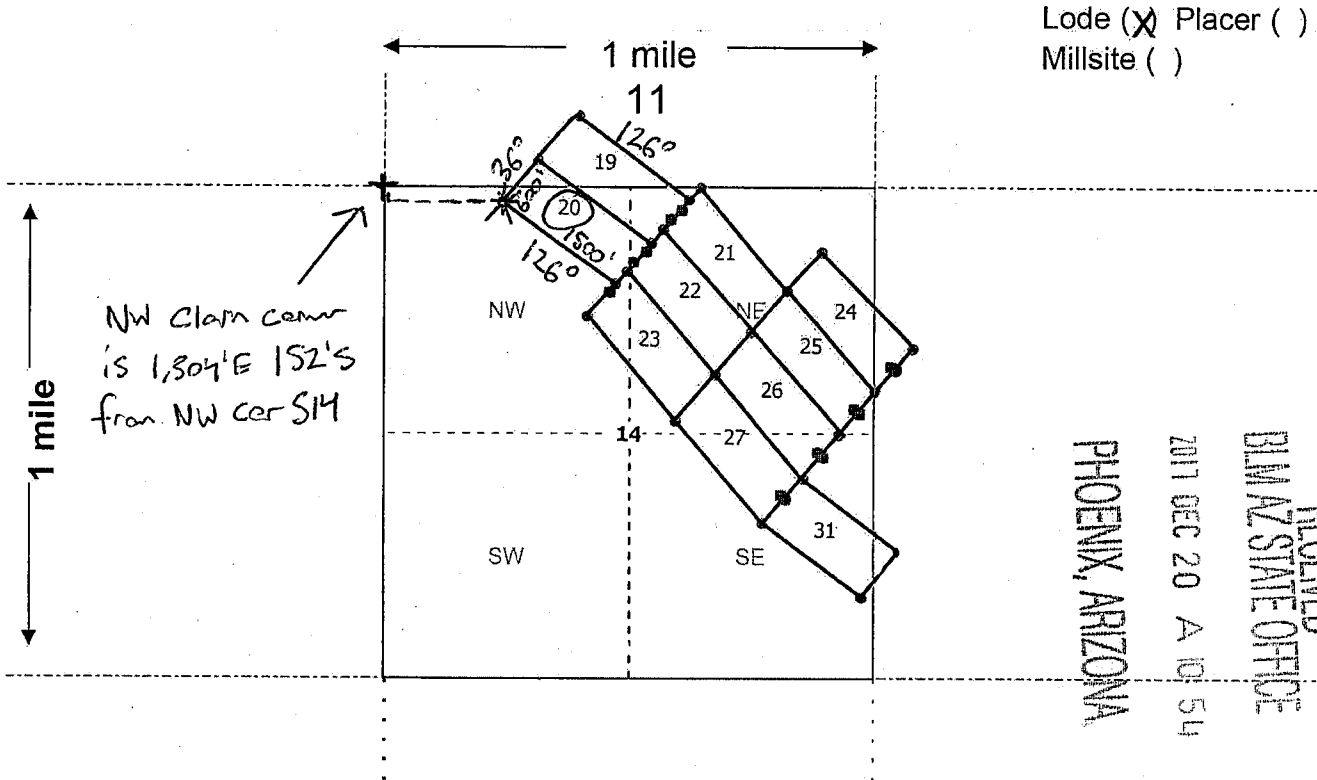
This instrument was signed and sworn to before me  
on 12/2/17 by Stuart Burgess  
(Name of signer)



AH  
(Notary Signature)  
[Affix seal/stamp to the left or below]

AMC 448215

**MINING CLAIM MAP**



Lode (X) Placer ( )  
Millsite ( )

NW claim corner  
is 1,504' E 152' S  
from NW cor S14

RECEIVED  
 BLM AZ STATE OFFICE  
 2017 DEC 20 A 10:54  
 PHOENIX, ARIZONA

AMC 448215

Scale: 1" = 2000 feet



- The above map depicts the GRMC 20 mining claim, which is located in Section (s) 11, 14, Township 19 N, Range 20 W, Gila and Salt River Base and Meridian, Mohave County, Arizona. Total claim acreage is 20
- The type of corner and location monuments used are as follows: 2"X2"X50" wooden posts with metal tags or rock monument
- The bearings and distances in degrees and feet between claim corners and to a public land survey monument are as depicted on the map.
- If the claim is a placer or millsite claim with exterior limits conforming to legal subdivisions of the public survey, provide a legal description of the claim \_\_\_\_\_

Form MCF100a  
Revised July 2014

This form is available from the Arizona Geology Survey and may be reproduced.

2E

Gold Road Mining Corp.  
Suite 450, 1090 West Georgia Street  
Vancouver, BC V6E 3V7 Canada

**FEE# 2017062204**

OFFICIAL RECORDS  
OF MOHAVE COUNTY  
KRISTI BLAIR,  
COUNTY RECORDER



12/26/2017 02:27 PM Fee: \$10.00

PAGE: 1 of 2

WHEN RECORDED MAIL TO (MC):

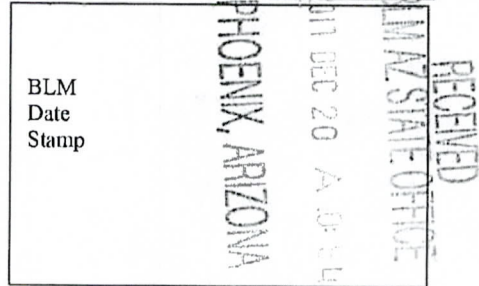
FENNEMORE CRAIG  
2394 EAST CAMELBACK RD  
SUITE 600  
PHOENIX AZ 85016

**LOCATION NOTICE FOR LODE MINING CLAIM**

Amendment BLM Serial # \_\_\_\_\_

NOTICE IS HEREBY GIVEN that the GRMC 21

\_\_\_\_\_ lode mining claim has been located  
by Gold Road Mining Corp. whose current mailing  
address is Suite 450, 1090 West Georgia Street  
Vancouver, BC V6E 3V7 Canada



The general course of this claim is Northwest-Southeast and it is situated in Mohave  
County, Arizona. This claim is 1500 feet in length and 600 feet in width.

20 Total Claim Acreage. This claim runs from the location monument on which this location notice  
is posted on the centerline of the claim approximately 20 feet in a NW direction to the NW  
end line and 1480 feet in a SE direction to the SE end line. This claim is marked by six  
monuments, one at each corner and one at the center of each end line of the claim.

The location monument on which this notice is posted is situated within Section 14, Township 19  
N, Range 20 W, Gila Salt River Base and Meridian, Arizona and this claim encompasses portions  
of the following quarter section(s), section(s), Township(s) and Range(s) \_\_\_\_\_  
NE1/4 Sec.14 T19N R20W

Gila Salt River Base and Meridian, Arizona.

The locality of this claim with reference to some natural object or permanent monument and additional information  
(if any) concerning its locality are as follows: \_\_\_\_\_

2,248'W 451'S from NE corner Sec.14 T19N R20W to NW claim corner

\_\_\_\_\_ The above information is shown on the attached map.

DATED AND POSTED on the ground this 17 day of October, 2017.

LOCATOR(s)  AGENT

Print Name(s) Stuart Burgess

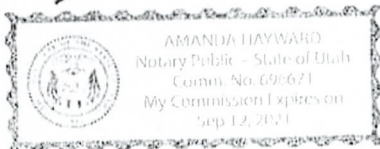
Signature(s) \_\_\_\_\_

State of Utah  
County of Salt Lake

This instrument was signed and sworn to before me  
on 12/21/17 by Stuart Burgess  
(Name of signer)

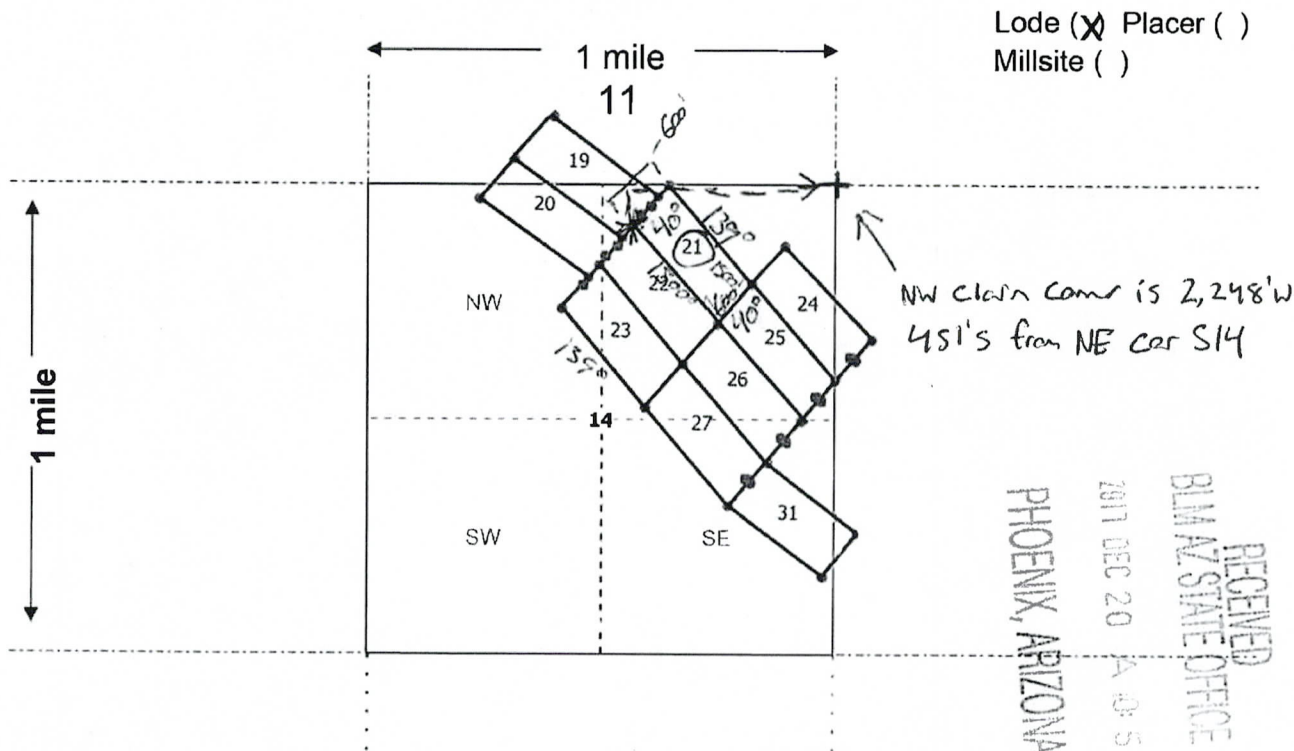
AKH  
(Notary Signature)

[Affix seal/stamp to the left or below]



AMC448216

**MINING CLAIM MAP**



Scale: 1" = 2000 feet



1. The above map depicts the GRMC 21 mining claim, which is located in Section (s) 14, Township 19 N, Range 20 W, Gila and Salt River Base and Meridian, Mohave County, Arizona. Total claim acreage is 20

2. The type of corner and location monuments used are as follows: 2"X2"X50" wooden posts with metal tags or rock monument

3. The bearings and distances in degrees and feet between claim corners and to a public land survey monument are as depicted on the map.

4. If the claim is a placer or millsite claim with exterior limits conforming to legal subdivisions of the public survey, provide a legal description of the claim \_\_\_\_\_

Form MCF100a  
Revised July 2014

This form is available from the **Arizona Geology Survey** and may be reproduced.

AMC448216

Gold Road Mining Corp.  
Suite 450, 1090 West Georgia Street  
Vancouver, BC V6E 3V7 Canada

**LOCATION NOTICE FOR LODE MINING CLAIM**

Amendment BLM Serial # \_\_\_\_\_  
NOTICE IS HEREBY GIVEN that the GRMC 21

\_\_\_\_\_ lode mining claim has been located  
by Gold Road Mining Corp. whose current mailing  
address is Suite 450, 1090 West Georgia Street  
Vancouver, BC V6E 3V7 Canada

BLM  
Date  
Stamp  
PHOENIX, ARIZONA  
2017 DEC 20 A 10:54  
BLM STATE OFFICE  
RECEIVED

The general course of this claim is Northwest-Southeast and it is situated in Mohave  
County, Arizona. This claim is 1500 feet in length and 600 feet in width.

20 Total Claim Acreage. This claim runs from the location monument on which this location notice  
is posted on the centerline of the claim approximately 20 feet in a NW direction to the NW  
end line and 1480 feet in a SE direction to the SE end line. This claim is marked by six  
monuments, one at each corner and one at the center of each end line of the claim.

The location monument on which this notice is posted is situated within Section 14, Township 19  
N, Range 20 W, Gila Salt River Base and Meridian, Arizona and this claim encompasses portions  
of the following quarter section(s), section(s), Township(s) and Range(s) \_\_\_\_\_  
NE1/4 Sec.14 T19N R20W

Gila Salt River Base and Meridian, Arizona.

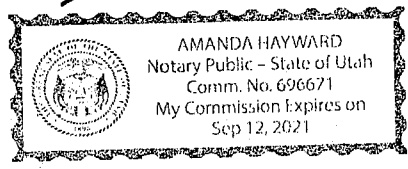
The locality of this claim with reference to some natural object or permanent monument and additional information  
(if any) concerning its locality are as follows: \_\_\_\_\_  
2,248'W 451'S from NE corner Sec.14 T19N R20W to NW claim corner

\_\_\_\_\_ The above information is shown on the attached map.

DATED AND POSTED on the ground this 17 day of October, 2017.

LOCATOR(s)  AGENT  
Print Name(s) Stuart Burgess  
Signature(s) \_\_\_\_\_

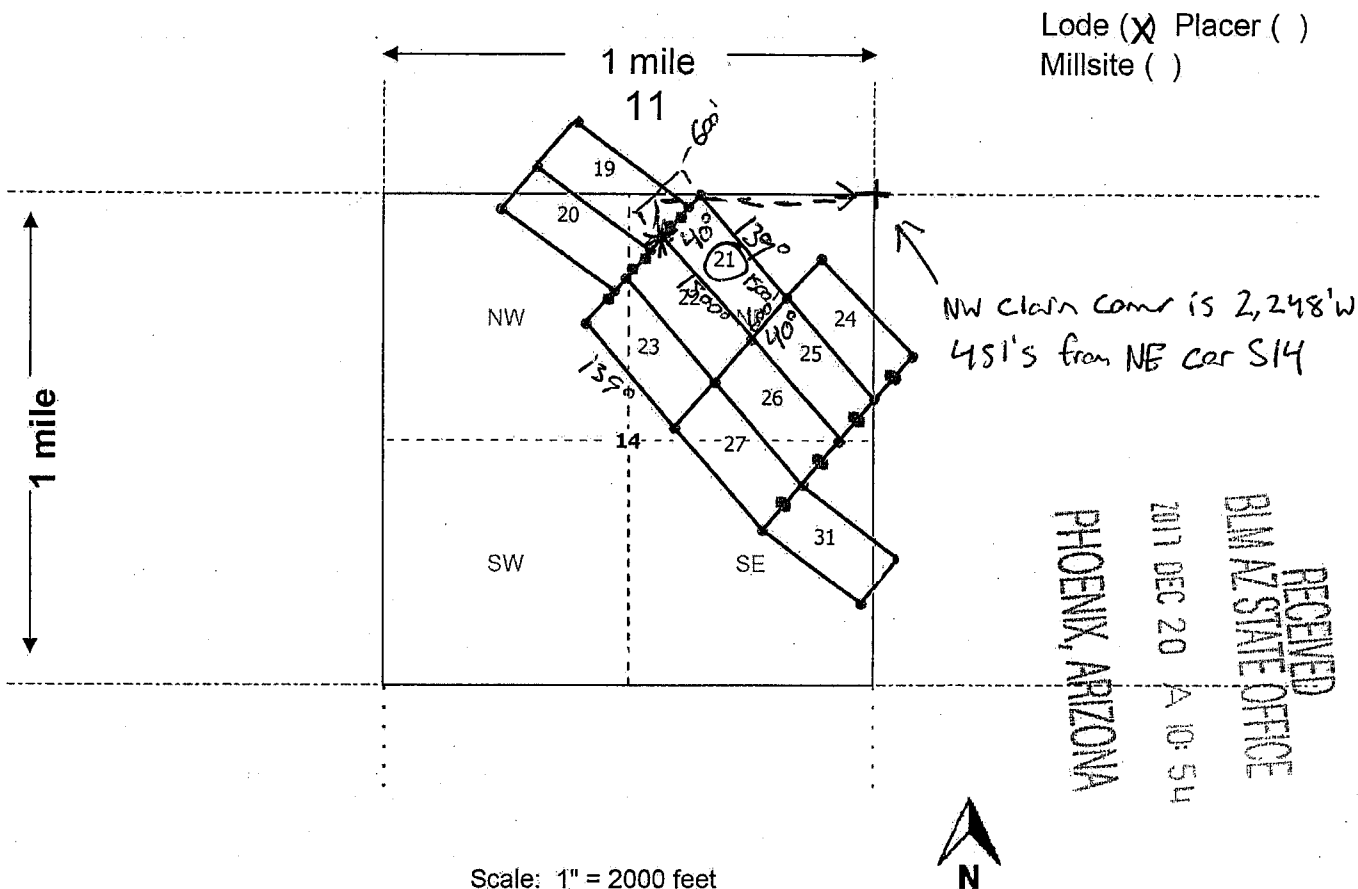
State of Utah  
County of Salt Lake



This instrument was signed and sworn to before me  
on 12/2/17 by Stuart Burgess  
(Name of signer)  
\_\_\_\_\_  
(Notary Signature)  
[Affix seal/stamp to the left or below]

AMC448216

**MINING CLAIM MAP**



Scale: 1" = 2000 feet

1. The above map depicts the GRMC 21 mining claim, which is located in Section (s) 14, Township 19 N, Range 20 W, Gila and Salt River Base and Meridian, Mohave County, Arizona. Total claim acreage is 20

2. The type of corner and location monuments used are as follows: 2"X2"X50" wooden posts with metal tags or rock monument

3. The bearings and distances in degrees and feet between claim corners and to a public land survey monument are as depicted on the map.

4. If the claim is a placer or millsite claim with exterior limits conforming to legal subdivisions of the public survey, provide a legal description of the claim \_\_\_\_\_

Form MCF100a  
Revised July 2014

This form is available from the Arizona Geology Survey and may be reproduced.



2E

Gold Road Mining Corp.  
Suite 450, 1090 West Georgia Street  
Vancouver, BC V6E 3V7 Canada

**FEE# 2017062205**

OFFICIAL RECORDS  
OF MOHAVE COUNTY  
KRISTI BLAIR,  
COUNTY RECORDER



12/26/2017 02:27 PM Fee: \$10.00

PAGE: 1 of 2

WHEN RECORDED MAIL TO (MC):

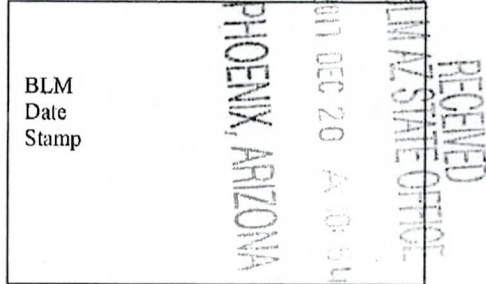
FENNEMORE CRAIG  
2394 EAST CAMELBACK RD  
SUITE 600  
PHOENIX AZ 85016

**LOCATION NOTICE FOR LODE MINING CLAIM**

Amendment BLM Serial # \_\_\_\_\_

NOTICE IS HEREBY GIVEN that the GRMC 22

\_\_\_\_\_ lode mining claim has been located  
by Gold Road Mining Corp. whose current mailing  
address is Suite 450, 1090 West Georgia Street  
Vancouver, BC V6E 3V7 Canada



The general course of this claim is Northwest-Southeast and it is situated in Mohave  
County, Arizona. This claim is 1500 feet in length and 600 feet in width.

20 Total Claim Acreage. This claim runs from the location monument on which this location notice  
is posted on the centerline of the claim approximately 20 feet in a NW direction to the NW  
end line and 1480 feet in a SE direction to the SE end line. This claim is marked by six  
monuments, one at each corner and one at the center of each end line of the claim.

The location monument on which this notice is posted is situated within Section 14, Township 19  
N, Range 20 W, Gila Salt River Base and Meridian, Arizona and this claim encompasses portions  
of the following quarter section(s), section(s), Township(s) and Range(s) \_\_\_\_\_  
NE1/4 Sec.14 T19N R20W

Gila Salt River Base and Meridian, Arizona.

The locality of this claim with reference to some natural object or permanent monument and additional information  
(if any) concerning its locality are as follows: \_\_\_\_\_  
2,634'W 900'S from NE corner Sec.14 T19N R20W to NW claim corner

\_\_\_\_\_ The above information is shown on the attached map.

DATED AND POSTED on the ground this 17 day of October, 2017.

LOCATOR(s)  AGENT

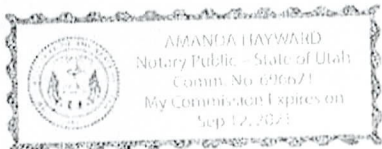
Print Name(s) Stuart Burgess

Signature(s) \_\_\_\_\_

State of Utah  
County of Salt Lake

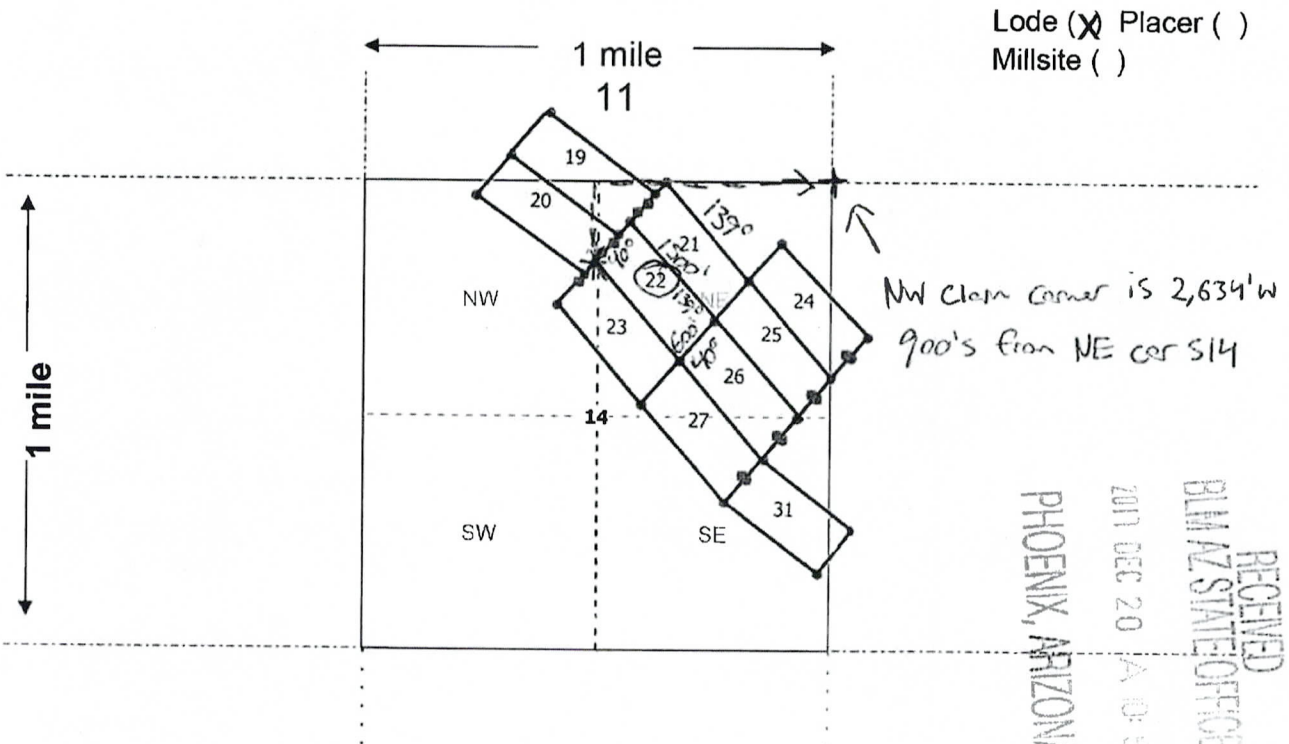
This instrument was signed and sworn to before me  
on 12/21/17 by Stuart Burgess  
(Name of signer)

\_\_\_\_\_  
(Notary Signature)  
[Affix seal/stamp to the left or below]



AMC448217

**MINING CLAIM MAP**



Scale: 1" = 2000 feet



1. The above map depicts the GRMC 22 mining claim, which is located in Section (s) 14, Township 19 N, Range 20 W, Gila and Salt River Base and Meridian, Mohave County, Arizona. Total claim acreage is 20
2. The type of corner and location monuments used are as follows: 2"X2"X50" wooden posts with metal tags or rock monument
3. The bearings and distances in degrees and feet between claim corners and to a public land survey monument are as depicted on the map.
4. If the claim is a placer or millsite claim with exterior limits conforming to legal subdivisions of the public survey, provide a legal description of the claim \_\_\_\_\_

**Form MCF100a**  
Revised July 2014

This form is available from the **Arizona Geology Survey** and may be reproduced.

Gold Road Mining Corp.  
Suite 450, 1090 West Georgia Street  
Vancouver, BC V6E 3V7 Canada

**LOCATION NOTICE FOR LODE MINING CLAIM**

Amendment BLM Serial # \_\_\_\_\_

NOTICE IS HEREBY GIVEN that the GRMC 22

\_\_\_\_\_ lode mining claim has been located  
by Gold Road Mining Corp. whose current mailing  
address is Suite 450, 1090 West Georgia Street  
Vancouver, BC V6E 3V7 Canada

RECEIVED  
BLM AZ STATE OFFICE  
PHOENIX, ARIZONA  
DEC 20 A 10:54

The general course of this claim is Northwest-Southeast and it is situated in Mohave  
County, Arizona. This claim is 1500 feet in length and 600 feet in width.

20 Total Claim Acreage. This claim runs from the location monument on which this location notice  
is posted on the centerline of the claim approximately 20 feet in a NW direction to the NW  
end line and 1480 feet in a SE direction to the SE end line. This claim is marked by six  
monuments, one at each corner and one at the center of each end line of the claim.

The location monument on which this notice is posted is situated within Section 14, Township 19  
N, Range 20 W, Gila Salt River Base and Meridian, Arizona and this claim encompasses portions  
of the following quarter section(s), section(s), Township(s) and Range(s) \_\_\_\_\_  
NE1/4 Sec.14 T19N R20W

Gila Salt River Base and Meridian, Arizona.

The locality of this claim with reference to some natural object or permanent monument and additional information  
(if any) concerning its locality are as follows: \_\_\_\_\_

2,634'W 900'S from NE corner Sec.14 T19N R20W to NW claim corner

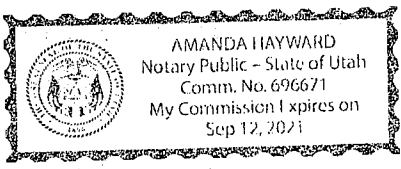
\_\_\_\_\_ The above information is shown on the attached map.

DATED AND POSTED on the ground this 17 day of October, 2017.

LOCATOR(s)  AGENT  
Print Name(s) Stuart Burgess  
Signature(s) \_\_\_\_\_

State of Utah  
County of Salt Lake

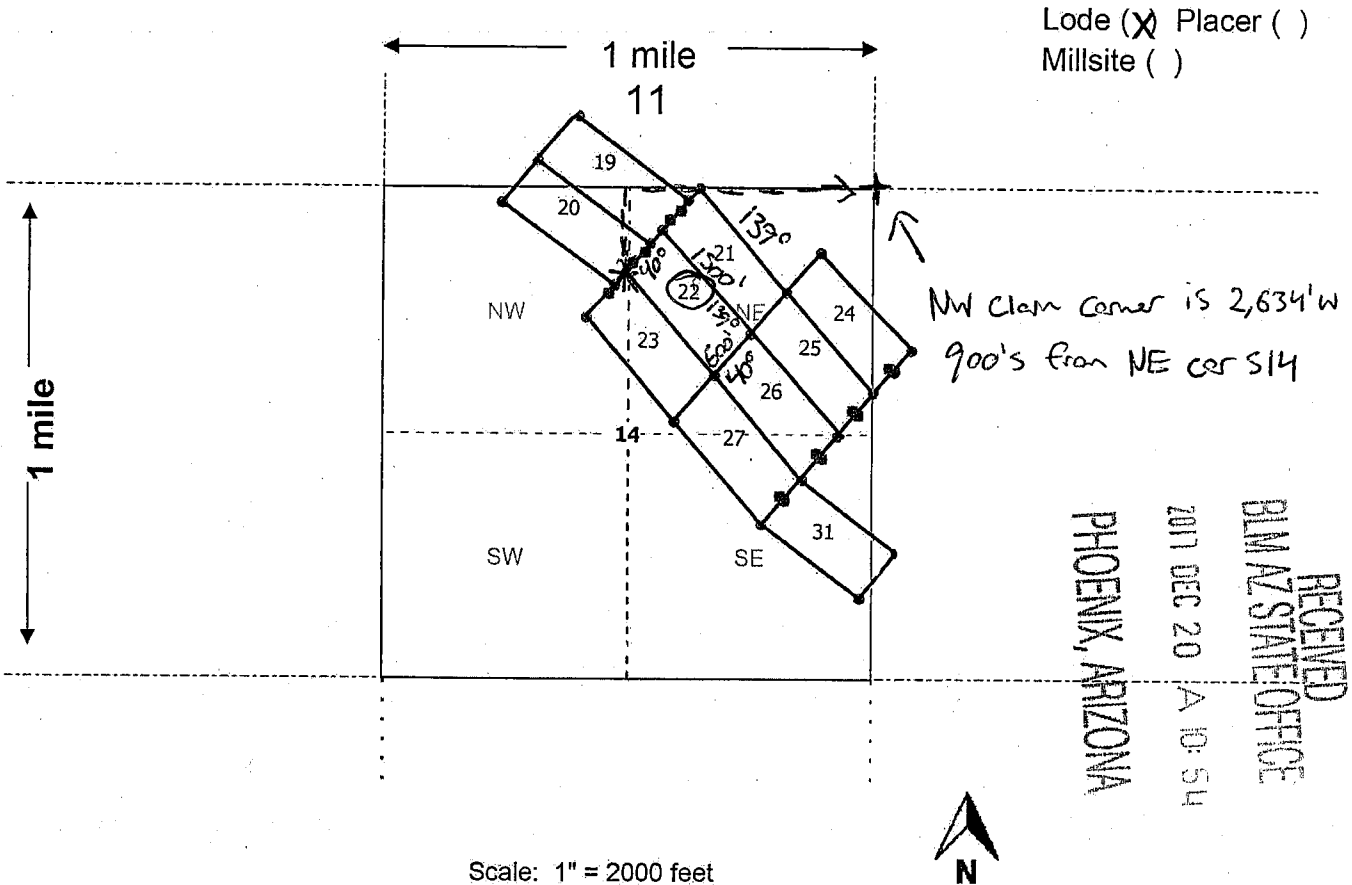
This instrument was signed and sworn to before me  
on 12/21/17 by Stuart Burgess  
(Name of signer)



\_\_\_\_\_  
(Notary Signature)  
[Affix seal/stamp to the left or below]

AMC 448217

**MINING CLAIM MAP**



RECEIVED  
 BLM AZ STATE OFFICE  
 2011 DEC 20 A 10:54  
 PHOENIX, ARIZONA

AMC448217

Scale: 1" = 2000 feet

- The above map depicts the GRMC 22 mining claim, which is located in Section (s) 14, Township 19 N, Range 20 W, Gila and Salt River Base and Meridian, Mohave County, Arizona. Total claim acreage is 20
- The type of corner and location monuments used are as follows: 2"X2"X50" wooden posts with metal tags or rock monument
- The bearings and distances in degrees and feet between claim corners and to a public land survey monument are as depicted on the map.
- If the claim is a placer or millsite claim with exterior limits conforming to legal subdivisions of the public survey, provide a legal description of the claim \_\_\_\_\_

Form MCF100a  
 Revised July 2014

ZE

Gold Road Mining Corp.  
Suite 450, 1090 West Georgia Street  
Vancouver, BC V6E 3V7 Canada

FEE# 2017062206

OFFICIAL RECORDS  
OF MOHAVE COUNTY  
KRISTI BLAIR,  
COUNTY RECORDER



12/26/2017 02:27 PM Fee: \$10.00

PAGE: 1 of 2

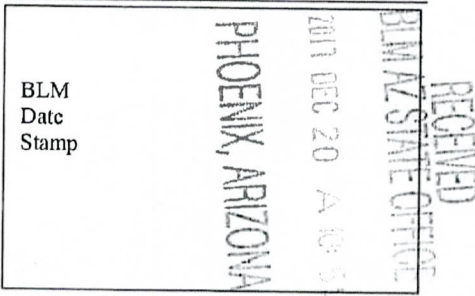
WHEN RECORDED MAIL TO (MC):

FENNEMORE CRAIG  
2394 EAST CAMELBACK RD  
SUITE 600  
PHOENIX AZ 85016

**LOCATION NOTICE FOR LODE MINING CLAIM**

Amendment BLM Serial # \_\_\_\_\_

NOTICE IS HEREBY GIVEN that the GRMC 23  
\_\_\_\_\_ lode mining claim has been located  
by Gold Road Mining Corp. whose current mailing  
address is Suite 450, 1090 West Georgia Street  
Vancouver, BC V6E 3V7 Canada



The general course of this claim is Northwest-Southeast and it is situated in Mohave  
County, Arizona. This claim is 1500 feet in length and 600 feet in width.

20 Total Claim Acreage. This claim runs from the location monument on which this location notice  
is posted on the centerline of the claim approximately 20 feet in a NW direction to the NW  
end line and 1480 feet in a SE direction to the SE end line. This claim is marked by six  
monuments, one at each corner and one at the center of each end line of the claim.

The location monument on which this notice is posted is situated within Section 14, Township 19  
N, Range 20 W, Gila Salt River Base and Meridian, Arizona and this claim encompasses portions  
of the following quarter section(s), section(s), Township(s) and Range(s) \_\_\_\_\_  
NE1/4, NW1/4 Sec.14 T19N R20W

Gila Salt River Base and Meridian, Arizona.

The locality of this claim with reference to some natural object or permanent monument and additional information  
(if any) concerning its locality are as follows: \_\_\_\_\_  
2,203'E 1,380'S from NW corner Sec.14 T19N R20W to NW claim corner

\_\_\_\_\_ The above information is shown on the attached map.

DATED AND POSTED on the ground this 17 day of October, 20 17.

LOCATOR(s)  AGENT

Print Name(s) Stuart Burgess

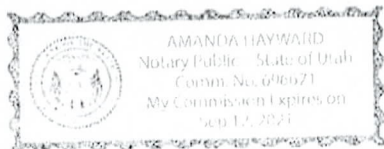
Signature(s) \_\_\_\_\_

State of Utah  
County of Salt Lake

This instrument was signed and sworn to before me  
on 12/21/17 by Stuart Burgess  
(Name of signer)

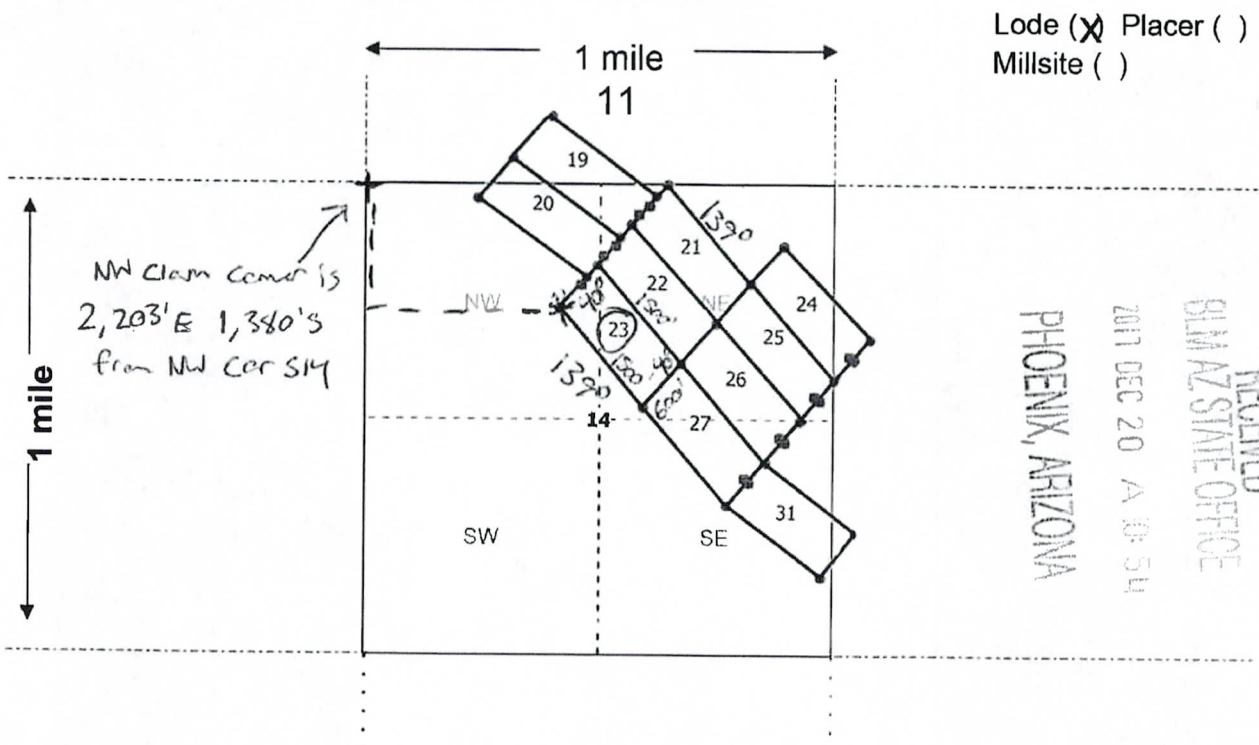
\_\_\_\_\_  
(Notary Signature)

[Affix seal/stamp to the left or below]



AMC 448218

**MINING CLAIM MAP**



Scale: 1" = 2000 feet



1. The above map depicts the GRMC 23 mining claim, which is located in Section (s) 14, Township 19 N, Range 20 W, Gila and Salt River Base and Meridian, Mohave County, Arizona. Total claim acreage is 20
2. The type of corner and location monuments used are as follows: 2"X2"X50" wooden posts with metal tags or rock monument
3. The bearings and distances in degrees and feet between claim corners and to a public land survey monument are as depicted on the map.
4. If the claim is a placer or millsite claim with exterior limits conforming to legal subdivisions of the public survey, provide a legal description of the claim \_\_\_\_\_

Form MCF100a  
Revised July 2014

This form is available from the **Arizona Geology Survey** and may be reproduced.

Gold Road Mining Corp.  
Suite 450, 1090 West Georgia Street  
Vancouver, BC V6E 3V7 Canada

**LOCATION NOTICE FOR LODE MINING CLAIM**

Amendment BLM Serial # \_\_\_\_\_

NOTICE IS HEREBY GIVEN that the GRMC 23  
\_\_\_\_\_ lode mining claim has been located  
by Gold Road Mining Corp. whose current mailing  
address is Suite 450, 1090 West Georgia Street  
Vancouver, BC V6E 3V7 Canada

RECEIVED  
BLM STATE OFFICE  
PHOENIX, ARIZONA  
2011 DEC 20 A 10:51  
BLM  
Date  
Stamp

The general course of this claim is Northwest-Southeast and it is situated in Mohave  
County, Arizona. This claim is 1500 feet in length and 600 feet in width.

20 Total Claim Acreage. This claim runs from the location monument on which this location notice  
is posted on the centerline of the claim approximately 20 feet in a NW direction to the NW  
end line and 1480 feet in a SE direction to the SE end line. This claim is marked by six  
monuments, one at each corner and one at the center of each end line of the claim.

The location monument on which this notice is posted is situated within Section 14, Township 19  
N, Range 20 W, Gila Salt River Base and Meridian, Arizona and this claim encompasses portions  
of the following quarter section(s), section(s), Township(s) and Range(s) \_\_\_\_\_  
NE1/4, NW1/4 Sec.14 T19N R20W

Gila Salt River Base and Meridian, Arizona.

The locality of this claim with reference to some natural object or permanent monument and additional information  
(if any) concerning its locality are as follows: \_\_\_\_\_  
2,203'E 1,380'S from NW corner Sec.14 T19N R20W to NW claim corner

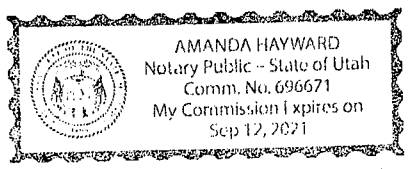
\_\_\_\_\_ The above information is shown on the attached map.

DATED AND POSTED on the ground this 17 day of October, 2017.

LOCATOR(s)  AGENT  
Print Name(s) Stuart Burgess  
Signature(s) \_\_\_\_\_

State of Utah  
County of Salt Lake

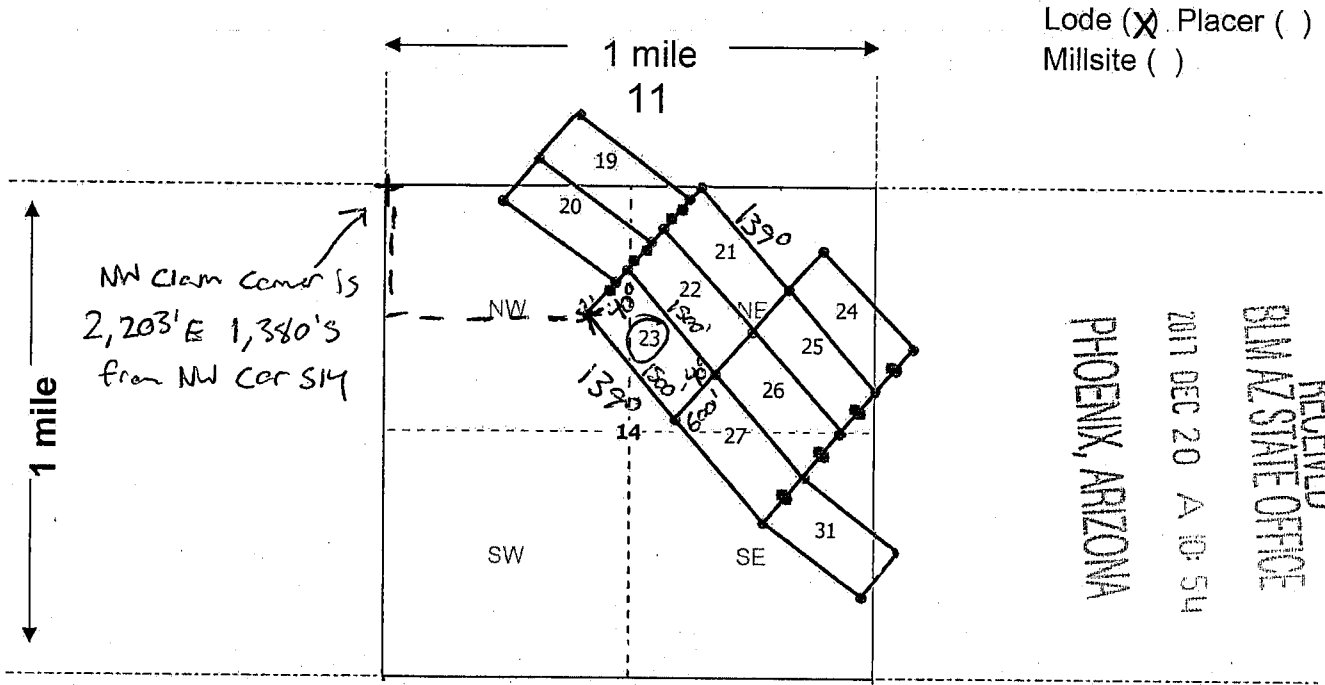
This instrument was signed and sworn to before me  
on 12/2/17 by Stuart Burgess  
(Name of signer)



\_\_\_\_\_  
(Notary Signature)  
[Affix seal/stamp to the left or below]

AMC 48218

**MINING CLAIM MAP**



Scale: 1" = 2000 feet



1. The above map depicts the GRMC 23 mining claim, which is located in Section (s) 14, Township 19 N, Range 20 W, Gila and Salt River Base and Meridian, Mohave County, Arizona. Total claim acreage is 20

2. The type of corner and location monuments used are as follows: 2"X2"X50" wooden posts with metal tags or rock monument

3. The bearings and distances in degrees and feet between claim corners and to a public land survey monument are as depicted on the map.

4. If the claim is a placer or millsite claim with exterior limits conforming to legal subdivisions of the public survey, provide a legal description of the claim \_\_\_\_\_

Form MCF100a  
Revised July 2014

This form is available from the Arizona Geology Survey and may be reproduced.

AMC 448218



2E

Gold Road Mining Corp.  
Suite 450, 1090 West Georgia Street  
Vancouver, BC V6E 3V7 Canada

**FEE# 2017062207**

OFFICIAL RECORDS  
OF MOHAVE COUNTY  
KRISTI BLAIR,  
COUNTY RECORDER



12/26/2017 02:27 PM Fee: \$10.00

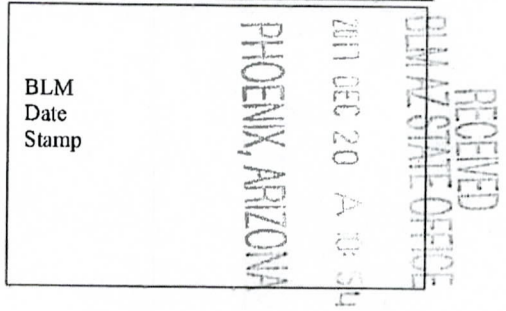
PAGE: 1 of 2

WHEN RECORDED MAIL TO (MC):

FENNEMORE CRAIG  
2394 EAST CAMELBACK RD  
SUITE 600  
PHOENIX AZ 85016

**LOCATION NOTICE FOR LODE MINING CLAIM**

Amendment BLM Serial # \_\_\_\_\_  
NOTICE IS HEREBY GIVEN that the GRMC 24  
\_\_\_\_\_ lode mining claim has been located  
by Gold Road Mining Corp. whose current mailing  
address is Suite 450, 1090 West Georgia Street  
Vancouver, BC V6E 3V7 Canada



The general course of this claim is Northwest-Southeast and it is situated in Mohave  
County, Arizona. This claim is 1500 feet in length and 600 feet in width.

20 Total Claim Acreage. This claim runs from the location monument on which this location notice  
is posted on the centerline of the claim approximately 20 feet in a SE direction to the SE  
end line and 1480 feet in a NW direction to the NW end line. This claim is marked by six  
monuments, one at each corner and one at the center of each end line of the claim.

The location monument on which this notice is posted is situated within Section 13, Township 19  
N, Range 20 W, Gila Salt River Base and Meridian, Arizona and this claim encompasses portions  
of the following quarter section(s), section(s), Township(s) and Range(s) \_\_\_\_\_  
NE1/4 Sec.14 NW1/4 Sec.13 T19N R20W

Gila Salt River Base and Meridian, Arizona.

The locality of this claim with reference to some natural object or permanent monument and additional information  
(if any) concerning its locality are as follows: \_\_\_\_\_  
917'W 1,119'S from NE corner Sec.14 T19N R20W to NW claim corner

\_\_\_\_\_ The above information is shown on the attached map.

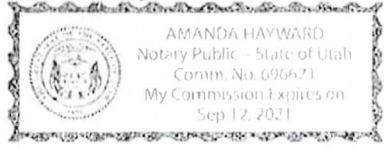
DATED AND POSTED on the ground this 17 day of October, 2017.

LOCATOR(s)  AGENT  
Print Name(s) Stuart Burgess  
Signature(s) \_\_\_\_\_

State of Utah  
County of Salt Lake

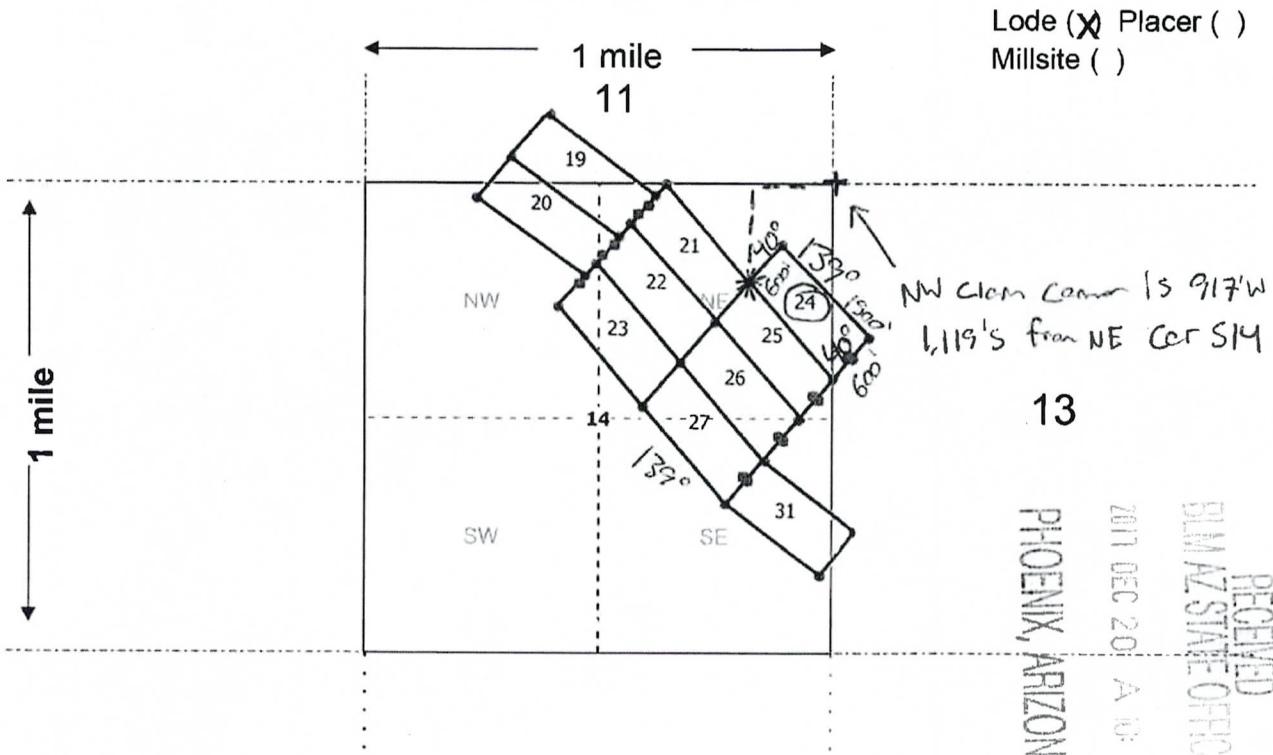
This instrument was signed and sworn to before me  
on 12/2/17 by Stuart Burgess  
(Name of signer)

AKH  
(Notary Signature)  
[Affix seal/stamp to the left or below]



AMC448219

**MINING CLAIM MAP**



Lode (X) Placer ( )  
Millsite ( )

NW claim corner is 917'W  
1,119' S from NE cor S14

RECEIVED  
BIM AZ STATE OFFICE  
2017 DEC 20 AM 10:51  
PHOENIX, ARIZONA

AMC448219

Scale: 1" = 2000 feet

- The above map depicts the GRMC 24 mining claim, which is located in Section (s) 13,14, Township 19 N, Range 20 W, Gila and Salt River Base and Meridian, Mohave County, Arizona. Total claim acreage is 20
- The type of corner and location monuments used are as follows: 2"X2"X50" wooden posts with metal tags or rock monument
- The bearings and distances in degrees and feet between claim corners and to a public land survey monument are as depicted on the map.
- If the claim is a placer or millsite claim with exterior limits conforming to legal subdivisions of the public survey, provide a legal description of the claim \_\_\_\_\_

Form MCF100a  
Revised July 2014

This form is available from the Arizona Geology Survey and may be reproduced.

Gold Road Mining Corp.  
Suite 450, 1090 West Georgia Street  
Vancouver, BC V6E 3V7 Canada

**LOCATION NOTICE FOR LODE MINING CLAIM**

Amendment BLM Serial # \_\_\_\_\_

NOTICE IS HEREBY GIVEN that the GRMC 24  
\_\_\_\_\_ lode mining claim has been located  
by Gold Road Mining Corp. whose current mailing  
address is Suite 450, 1090 West Georgia Street  
Vancouver, BC V6E 3V7 Canada

RECEIVED  
BLM AZ STATE OFFICE  
2017 DEC 20 A 10:54  
PHOENIX, ARIZONA  
BLM  
Date  
Stamp

The general course of this claim is Northwest-Southeast and it is situated in Mohave  
County, Arizona. This claim is 1500 feet in length and 600 feet in width.

20 Total Claim Acreage. This claim runs from the location monument on which this location notice  
is posted on the centerline of the claim approximately 20 feet in a SE direction to the SE  
end line and 1480 feet in a NW direction to the NW end line. This claim is marked by six  
monuments, one at each corner and one at the center of each end line of the claim.

The location monument on which this notice is posted is situated within Section 13, Township 19  
N, Range 20 W, Gila Salt River Base and Meridian, Arizona and this claim encompasses portions  
of the following quarter section(s), section(s), Township(s) and Range(s) \_\_\_\_\_  
NE1/4 Sec.14 NW1/4 Sec.13 T19N R20W

Gila Salt River Base and Meridian, Arizona.

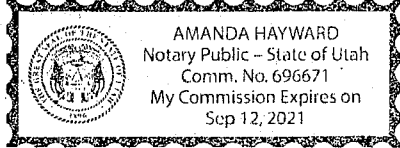
The locality of this claim with reference to some natural object or permanent monument and additional information  
(if any) concerning its locality are as follows: \_\_\_\_\_  
917'W 1,119'S from NE corner Sec.14 T19N R20W to NW claim corner

\_\_\_\_\_ The above information is shown on the attached map.

DATED AND POSTED on the ground this 17 day of October, 2017.

LOCATOR(s)  AGENT  
Print Name(s) Stuart Burgess  
Signature(s) \_\_\_\_\_

State of Utah  
County of Salt Lake

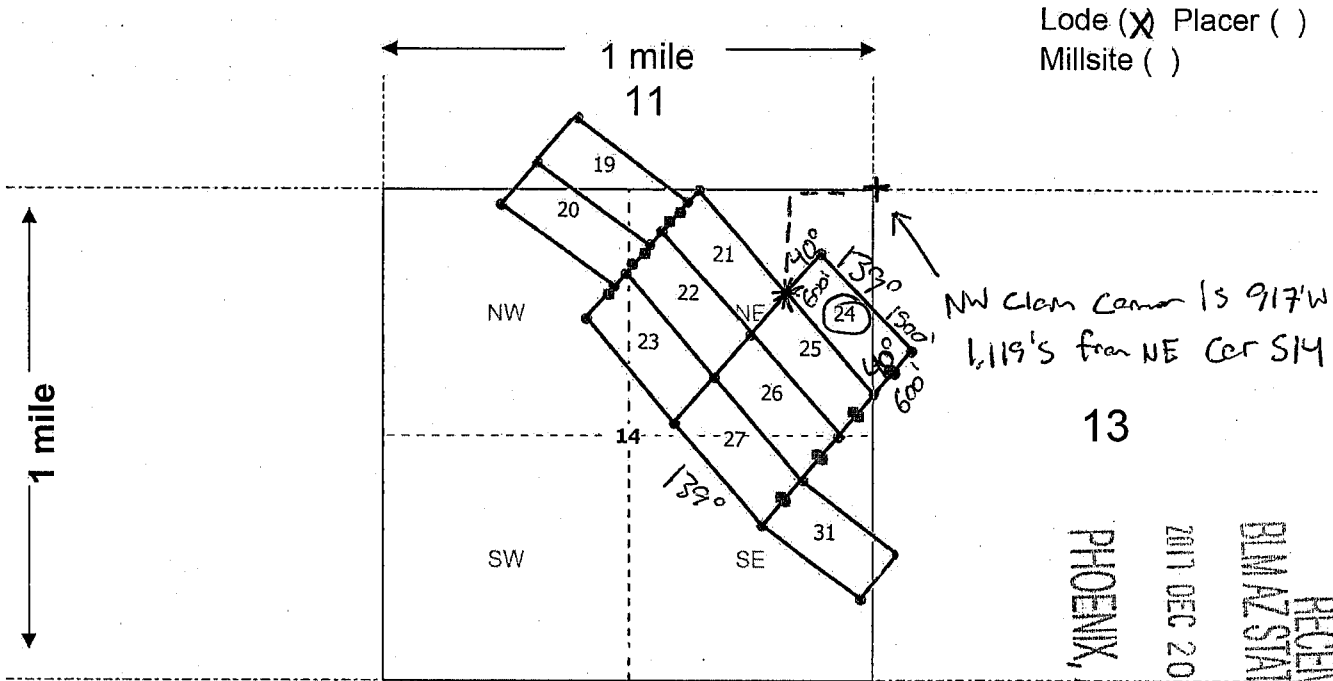


This instrument was signed and sworn to before me  
on 12/2/17 by Stuart Burgess  
(Name of signer)

AH  
(Notary Signature)  
[Affix seal/stamp to the left or below]

AMC 448219

**MINING CLAIM MAP**



1. The above map depicts the GRMC 24 mining claim, which is located in Section (s) 13,14, Township 19 N, Range 20 W, Gila and Salt River Base and Meridian, Mohave County, Arizona. Total claim acreage is 20

2. The type of corner and location monuments used are as follows: 2"X2"X50" wooden posts with metal tags or rock monument

3. The bearings and distances in degrees and feet between claim corners and to a public land survey monument are as depicted on the map.

4. If the claim is a placer or millsite claim with exterior limits conforming to legal subdivisions of the public survey, provide a legal description of the claim: \_\_\_\_\_

Form MCF100a  
Revised July 2014

This form is available from the Arizona Geology Survey and may be reproduced.

AMC 448219

7E

Gold Road Mining Corp.  
Suite 450, 1090 West Georgia Street  
Vancouver, BC V6E 3V7 Canada

**FEE# 2017062208**

OFFICIAL RECORDS  
OF MOHAVE COUNTY  
KRISTI BLAIR,  
COUNTY RECORDER



12/26/2017 02:27 PM Fee: \$10.00

PAGE: 1 of 2

WHEN RECORDED MAIL TO (MC):

FENNEMORE CRAIG  
2394 EAST CAMELBACK RD  
SUITE 600  
PHOENIX AZ 85016

**LOCATION NOTICE FOR LODE MINING CLAIM**

Amendment BLM Serial # \_\_\_\_\_  
NOTICE IS HEREBY GIVEN that the GRMC 25  
\_\_\_\_\_ lode mining claim has been located  
by Gold Road Mining Corp. whose current mailing  
address is Suite 450, 1090 West Georgia Street  
Vancouver, BC V6E 3V7 Canada

BLM  
Date  
Stamp  
PHOENIX, ARIZONA  
2017 DEC 20 A 10:51  
RECEIVED  
BLM AZ STATE OFFICE

The general course of this claim is Northwest-Southeast and it is situated in Mohave  
County, Arizona. This claim is 1500 feet in length and 600 feet in width.

20 Total Claim Acreage. This claim runs from the location monument on which this location notice  
is posted on the centerline of the claim approximately 20 feet in a SE direction to the SE  
end line and 1480 feet in a NW direction to the NW end line. This claim is marked by six  
monuments, one at each corner and one at the center of each end line of the claim.

The location monument on which this notice is posted is situated within Section 14, Township 19  
N, Range 20 W, Gila Salt River Base and Meridian, Arizona and this claim encompasses portions  
of the following quarter section(s), section(s), Township(s) and Range(s) \_\_\_\_\_  
NE1/4 Sec.14 T19N R20W

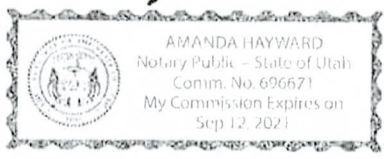
Gila Salt River Base and Meridian, Arizona.

The locality of this claim with reference to some natural object or permanent monument and additional information  
(if any) concerning its locality are as follows: \_\_\_\_\_  
1,308'W 1,562'S from NE corner Sec.14 T19N R20W to NW claim corner

\_\_\_\_\_ The above information is shown on the attached map.

DATED AND POSTED on the ground this 17 day of October, 2017.

LOCATOR(s)  AGENT  
Print Name(s) Stuart Burgess  
Signature(s) \_\_\_\_\_



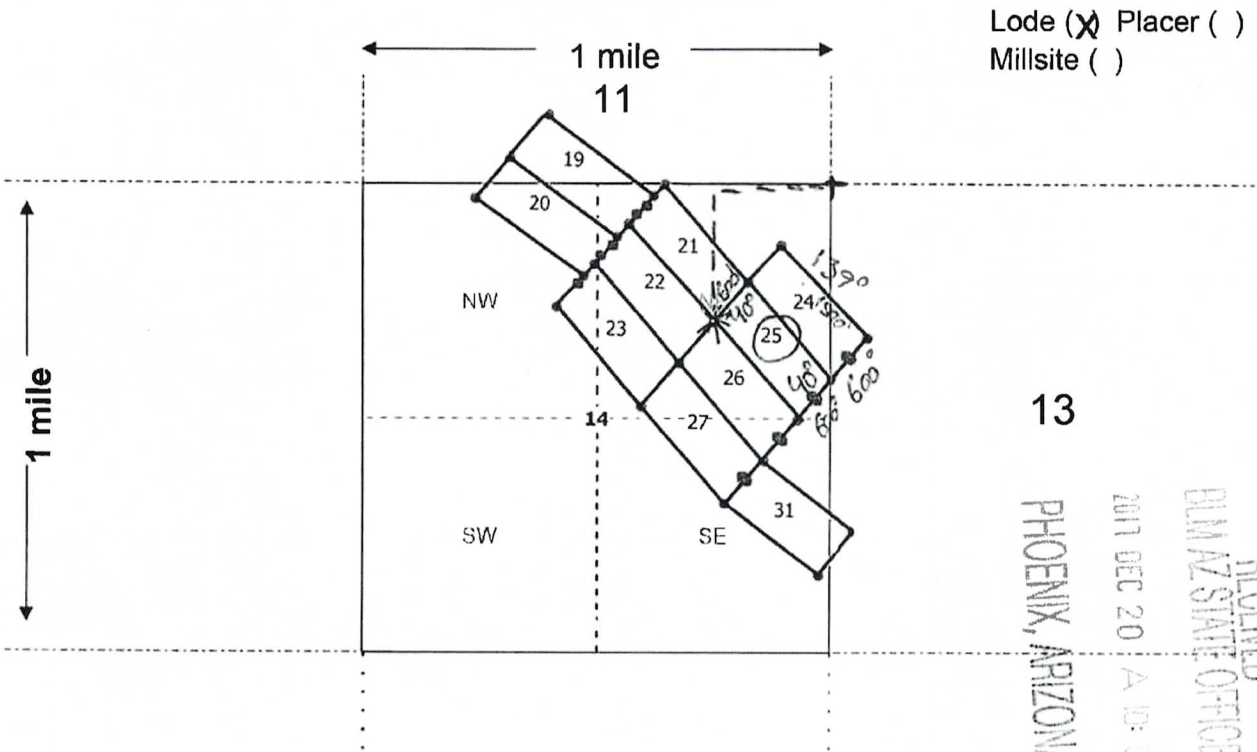
State of Utah  
County of Salt Lake

This instrument was signed and sworn to before me  
on 12/21/17 by Stuart Burgess  
(Name of signer)

AMH  
(Notary Signature)  
[Affix seal/stamp to the left or below]

AMC 448220

**MINING CLAIM MAP**



Lode (X) Placer ( )  
Millsite ( )

13

PHOENIX, ARIZONA

2017 DEC 20 A 10:54

RECEIVED  
BIMAZ STATE OFFICE

RECEIVED

AMC 4 8 2 2 0

Scale: 1" = 2000 feet



1. The above map depicts the GRMC 25 mining claim, which is located in Section (s) 14, Township 19 N, Range 20 W, Gila and Salt River Base and Meridian, Mohave County, Arizona. Total claim acreage is 20

2. The type of corner and location monuments used are as follows: 2"X2"X50" wooden posts with metal tags or rock monument

3. The bearings and distances in degrees and feet between claim corners and to a public land survey monument are as depicted on the map.

4. If the claim is a placer or millsite claim with exterior limits conforming to legal subdivisions of the public survey, provide a legal description of the claim \_\_\_\_\_

Form MCF100a  
Revised July 2014

This form is available from the **Arizona Geology Survey** and may be reproduced.

Gold Road Mining Corp.  
Suite 450, 1090 West Georgia Street  
Vancouver, BC V6E 3V7 Canada

LOCATION NOTICE FOR LODE MINING CLAIM

Amendment BLM Serial # \_\_\_\_\_

NOTICE IS HEREBY GIVEN that the GRMC 25  
\_\_\_\_\_ lode mining claim has been located  
by Gold Road Mining Corp. whose current mailing  
address is Suite 450, 1090 West Georgia Street  
Vancouver, BC V6E 3V7 Canada

BLM  
Date  
Stamp  
PHOENIX, ARIZONA  
2017 DEC 20 A 10: 54  
BLM AZ STATE OFFICE

RECEIVED  
BLM AZ STATE OFFICE

The general course of this claim is Northwest-Southeast and it is situated in Mohave  
County, Arizona. This claim is 1500 feet in length and 600 feet in width.

20 Total Claim Acreage. This claim runs from the location monument on which this location notice  
is posted on the centerline of the claim approximately 20 feet in a SE direction to the SE  
end line and 1480 feet in a NW direction to the NW end line. This claim is marked by six  
monuments, one at each corner and one at the center of each end line of the claim.

The location monument on which this notice is posted is situated within Section 14, Township 19  
N, Range 20 W, Gila Salt River Base and Meridian, Arizona and this claim encompasses portions  
of the following quarter section(s), section(s), Township(s) and Range(s) \_\_\_\_\_  
NE1/4 Sec.14 T19N R20W

Gila Salt River Base and Meridian, Arizona.

The locality of this claim with reference to some natural object or permanent monument and additional information  
(if any) concerning its locality are as follows: \_\_\_\_\_

1,308'W 1,562'S from NE corner Sec.14 T19N R20W to NW claim corner

\_\_\_\_\_ The above information is shown on the attached map.

DATED AND POSTED on the ground this 17 day of October, 2017.

LOCATOR(s)  AGENT

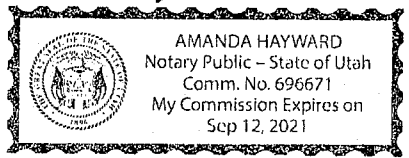
Print Name(s) Stuart Burgess

Signature(s) \_\_\_\_\_

State of Utah  
County of Salt Lake

This instrument was signed and sworn to before me  
on 12/2/17 by Stuart Burgess  
(Name of signer)

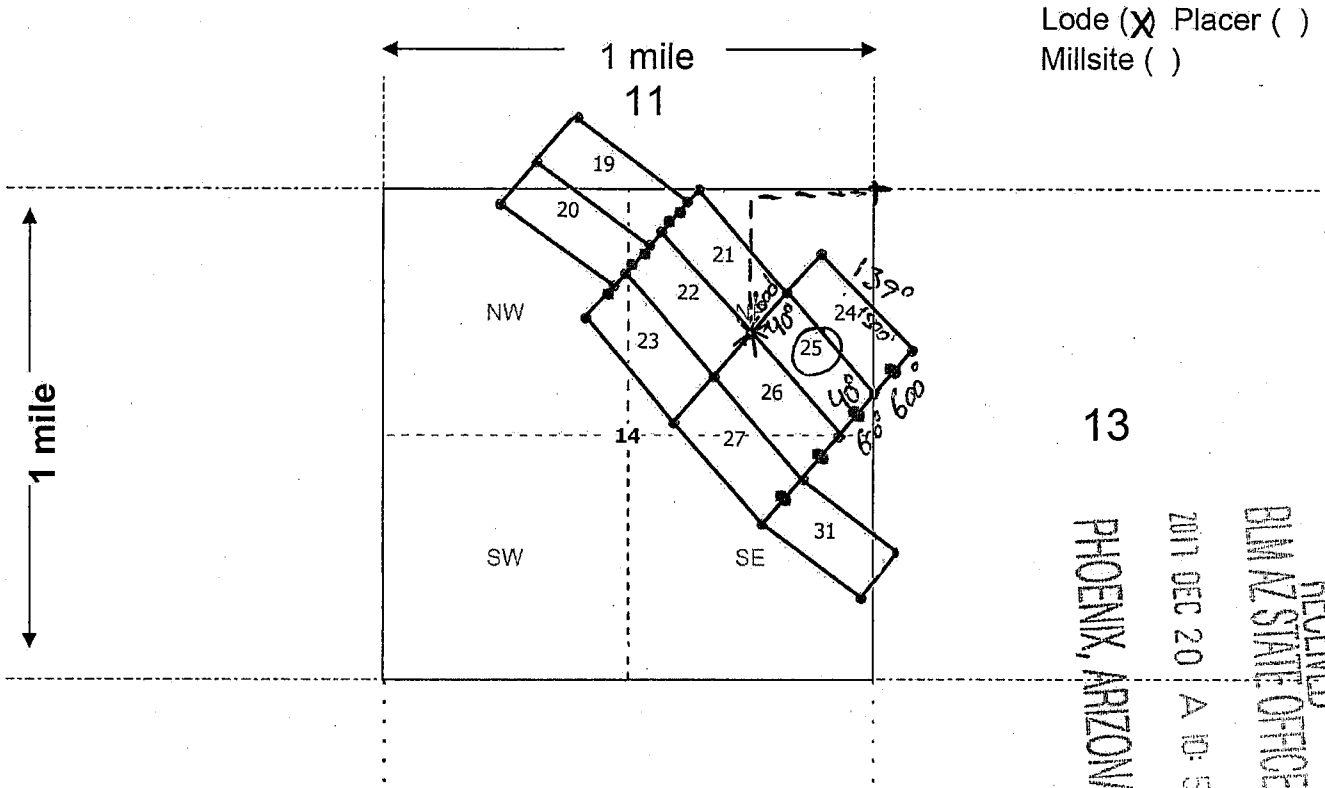
SH



(Notary Signature)  
[Affix seal/stamp to the left or below]

AMC448220

**MINING CLAIM MAP**



Lode (X) Placer ( )  
Millsite ( )

13  
PHOENIX, ARIZONA

2017 DEC 20 A 10:54

RECEIVED  
BIA AZ STATE OFFICE

AMC 448220

Scale: 1" = 2000 feet



1. The above map depicts the GRMC 25 mining claim, which is located in Section (s) 14, Township 19 N, Range 20 W, Gila and Salt River Base and Meridian, Mohave County, Arizona. Total claim acreage is 20

2. The type of corner and location monuments used are as follows: 2"X2"X50" wooden posts with metal tags or rock monument

3. The bearings and distances in degrees and feet between claim corners and to a public land survey monument are as depicted on the map.

4. If the claim is a placer or millsite claim with exterior limits conforming to legal subdivisions of the public survey, provide a legal description of the claim \_\_\_\_\_

Form MCF100a  
Revised July 2014

This form is available from the Arizona Geology Survey and may be reproduced.



2E

Gold Road Mining Corp.  
Suite 450, 1090 West Georgia Street  
Vancouver, BC V6E 3V7 Canada

**FEE# 2017062209**

OFFICIAL RECORDS  
OF MOHAVE COUNTY  
KRISTI BLAIR,  
COUNTY RECORDER



12/26/2017 02:27 PM Fee: \$10.00

PAGE: 1 of 2

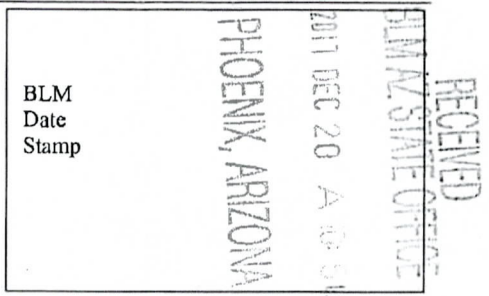
WHEN RECORDED MAIL TO (MC):

FENNEMORE CRAIG  
2394 EAST CAMELBACK RD  
SUITE 600  
PHOENIX AZ 85016

**LOCATION NOTICE FOR LODE MINING CLAIM**

Amendment BLM Serial # \_\_\_\_\_  
NOTICE IS HEREBY GIVEN that the GRMC 26

\_\_\_\_\_ lode mining claim has been located  
by Gold Road Mining Corp. whose current mailing  
address is Suite 450, 1090 West Georgia Street  
Vancouver, BC V6E 3V7 Canada



The general course of this claim is Northwest-Southeast and it is situated in Mohave  
County, Arizona. This claim is 1500 feet in length and 600 feet in width.

20 Total Claim Acreage. This claim runs from the location monument on which this location notice  
is posted on the centerline of the claim approximately 20 feet in a SE direction to the SE  
end line and 1480 feet in a NW direction to the NW end line. This claim is marked by six  
monuments, one at each corner and one at the center of each end line of the claim.

The location monument on which this notice is posted is situated within Section 14, Township 19  
N, Range 20 W, Gila Salt River Base and Meridian, Arizona and this claim encompasses portions  
of the following quarter section(s), section(s), Township(s) and Range(s) \_\_\_\_\_  
NE1/4 SE1/4 Sec.14 T19N R20W

Gila Salt River Base and Meridian, Arizona.

The locality of this claim with reference to some natural object or permanent monument and additional information  
(if any) concerning its locality are as follows: \_\_\_\_\_  
1,700'W 2,013'S from NE corner Sec.14 T19N R20W to NW claim corner

\_\_\_\_\_ The above information is shown on the attached map.

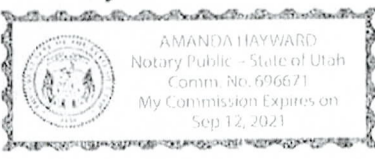
DATED AND POSTED on the ground this 17 day of October, 2017.

LOCATOR(s)  AGENT  
Print Name(s) Stuart Burgess  
Signature(s) \_\_\_\_\_

State of Utah  
County of Salt Lake

This instrument was signed and sworn to before me  
on 12/2/17 by Stuart Burgess  
(Name of signer)

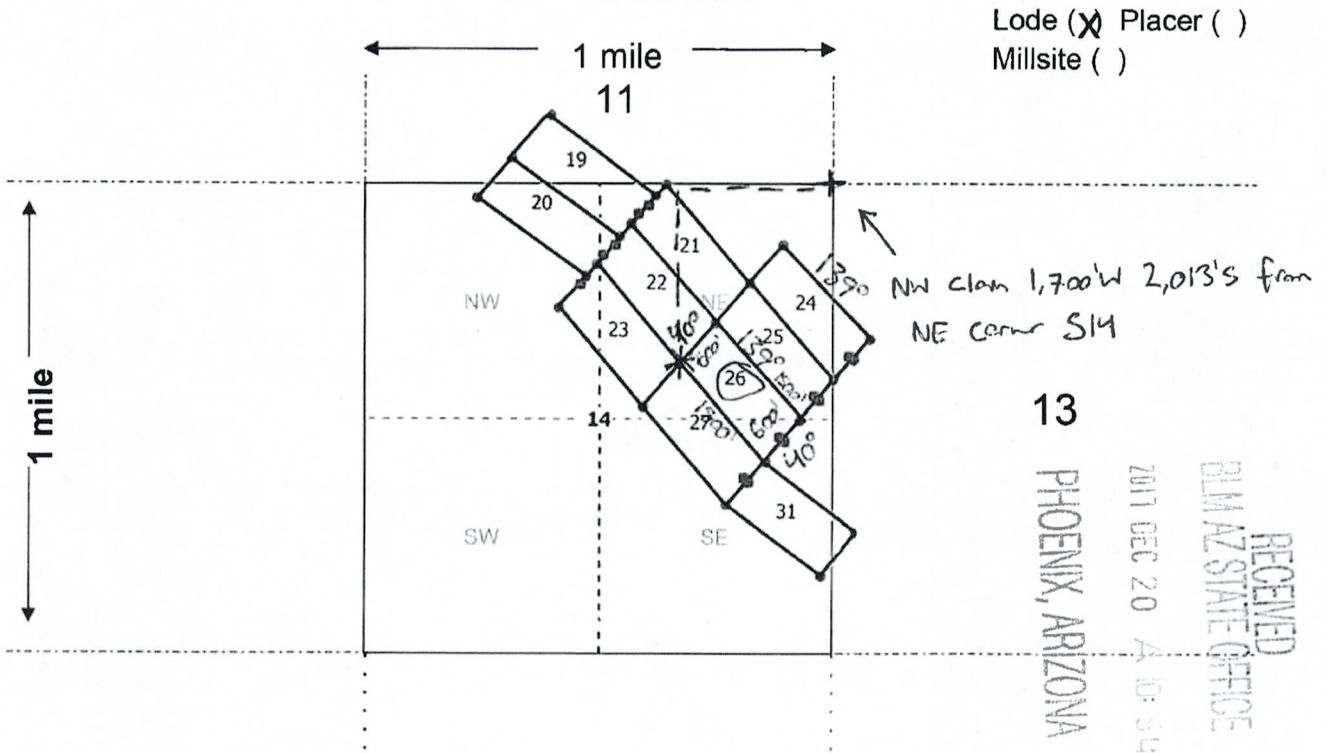
AKH  
(Notary Signature)



[Affix seal/stamp to the left or below]

AMC448221

**MINING CLAIM MAP**



Lode (x) Placer (o)  
Millsite ( )

NW claim 1,700' W 2,013'S from  
NE corner S14

13  
PHOENIX, ARIZONA  
2017 DEC 20 4:10:54  
RECEIVED  
BLM AZ STATE OFFICE

Scale: 1" = 2000 feet



1. The above map depicts the GRMC 26 mining claim, which is located in Section (s) 14, Township 19 N, Range 20 W, Gila and Salt River Base and Meridian, Mohave County, Arizona. Total claim acreage is 20

2. The type of corner and location monuments used are as follows: 2"X2"X50" wooden posts with metal tags or rock monument

3. The bearings and distances in degrees and feet between claim corners and to a public land survey monument are as depicted on the map.

4. If the claim is a placer or millsite claim with exterior limits conforming to legal subdivisions of the public survey, provide a legal description of the claim \_\_\_\_\_

Form MCF100a  
Revised July 2014

This form is available from the Arizona Geology Survey and may be reproduced.

AMC448221

Gold Road Mining Corp.  
Suite 450, 1090 West Georgia Street  
Vancouver, BC V6E 3V7 Canada

LOCATION NOTICE FOR LODE MINING CLAIM

Amendment BLM Serial # \_\_\_\_\_

NOTICE IS HEREBY GIVEN that the GRMC 26  
\_\_\_\_\_ lode mining claim has been located  
by Gold Road Mining Corp. whose current mailing  
address is Suite 450, 1090 West Georgia Street  
Vancouver, BC V6E 3V7 Canada

RECEIVED  
BLM STATE OFFICE  
PHOENIX, ARIZONA  
2017 DEC 20 A 10:51  
BLM  
Date  
Stamp

The general course of this claim is Northwest-Southeast and it is situated in Mohave  
County, Arizona. This claim is 1500 feet in length and 600 feet in width.

20 Total Claim Acreage. This claim runs from the location monument on which this location notice  
is posted on the centerline of the claim approximately 20 feet in a SE direction to the SE  
end line and 1480 feet in a NW direction to the NW end line. This claim is marked by six  
monuments, one at each corner and one at the center of each end line of the claim.

The location monument on which this notice is posted is situated within Section 14, Township 19  
N, Range 20 W, Gila Salt River Base and Meridian, Arizona and this claim encompasses portions  
of the following quarter section(s), section(s), Township(s) and Range(s) \_\_\_\_\_  
NE1/4 SE1/4 Sec.14 T19N R20W

Gila Salt River Base and Meridian, Arizona.

The locality of this claim with reference to some natural object or permanent monument and additional information  
(if any) concerning its locality are as follows: \_\_\_\_\_

1,700'W 2,013'S from NE corner Sec.14 T19N R20W to NW claim corner

\_\_\_\_\_ The above information is shown on the attached map.

DATED AND POSTED on the ground this 17 day of October, 2017.

LOCATOR(s)  AGENT

Print Name(s) Stuart Burgess

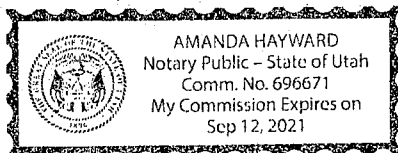
Signature(s) \_\_\_\_\_

State of Utah  
County of Salt Lake

This instrument was signed and sworn to before me  
on 12/2/17 by Stuart Burgess  
(Name of signer)

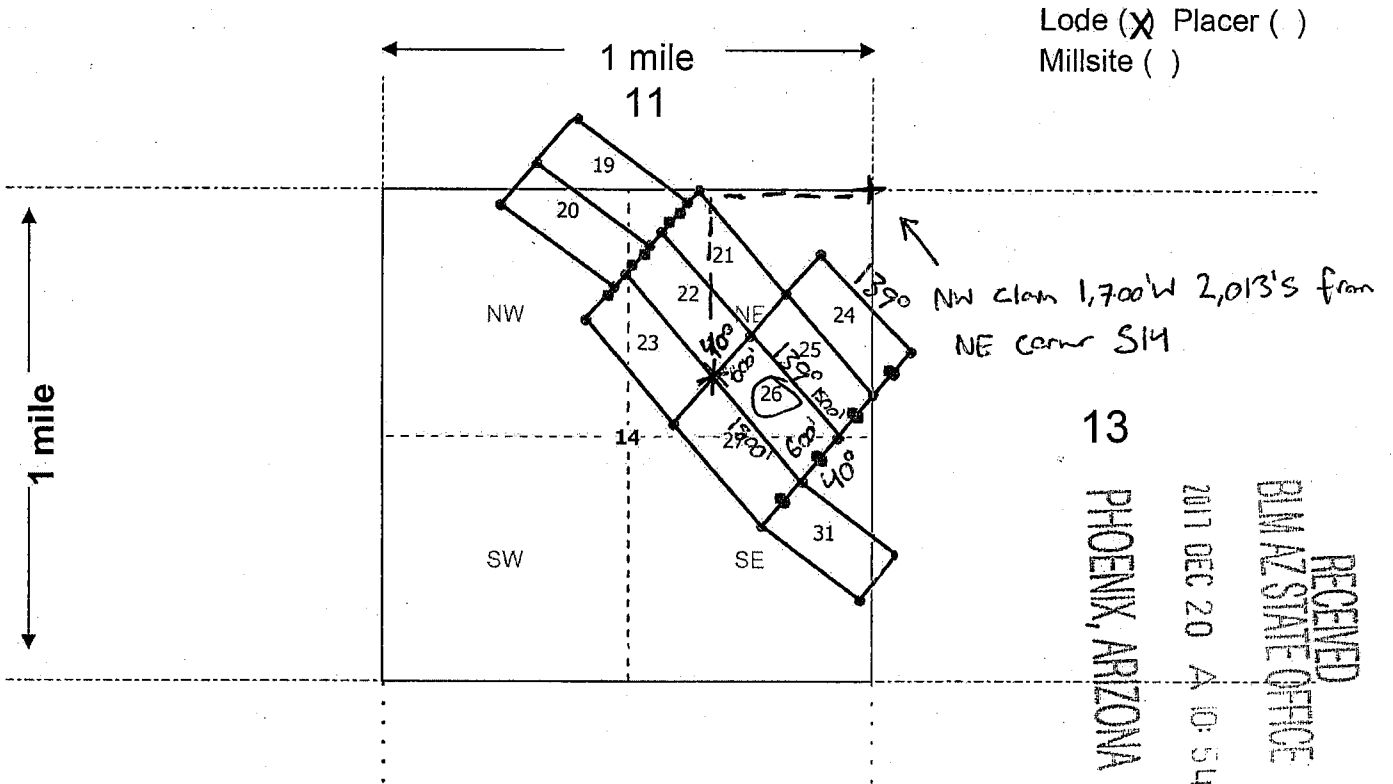
ANH

(Notary Signature)  
[Affix seal/stamp to the left or below]



AM0448221

**MINING CLAIM MAP**



Lode (X) Placer ( )  
Millsite ( )

NW claim 1,700' W 2,013' S from  
NE corner S14

13

PHOENIX, ARIZONA

2017 DEC 20 A 10:54

RECEIVED  
BLM AZ STATE OFFICE

Scale: 1" = 2000 feet



- The above map depicts the GRMC 26 mining claim, which is located in Section (s) 14, Township 19 N, Range 20 W, Gila and Salt River Base and Meridian, Mohave County, Arizona. Total claim acreage is 20
- The type of corner and location monuments used are as follows: 2"X2"X50" wooden posts with metal tags or rock monument
- The bearings and distances in degrees and feet between claim corners and to a public land survey monument are as depicted on the map.
- If the claim is a placer or millsite claim with exterior limits conforming to legal subdivisions of the public survey, provide a legal description of the claim \_\_\_\_\_

Form MCF100a  
Revised July 2014

This form is available from the Arizona Geology Survey and may be reproduced.

AMC 448221

2E

Gold Road Mining Corp.  
Suite 450, 1090 West Georgia Street  
Vancouver, BC V6E 3V7 Canada

**FEE# 2017062210**

OFFICIAL RECORDS  
OF MOHAVE COUNTY  
KRISTI BLAIR,  
COUNTY RECORDER



12/26/2017 02:27 PM Fee: \$10.00

PAGE: 1 of 2

WHEN RECORDED MAIL TO (MC):

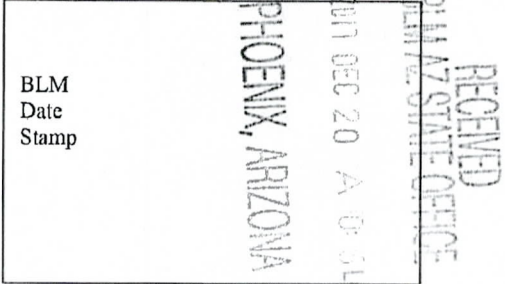
FENNEMORE CRAIG  
2394 EAST CAMELBACK RD  
SUITE 600  
PHOENIX AZ 85016

**LOCATION NOTICE FOR LODE MINING CLAIM**

Amendment BLM Serial # \_\_\_\_\_

NOTICE IS HEREBY GIVEN that the GRMC 27

\_\_\_\_\_ lode mining claim has been located  
by Gold Road Mining Corp. whose current mailing  
address is Suite 450, 1090 West Georgia Street  
Vancouver, BC V6E 3V7 Canada



The general course of this claim is Northwest-Southeast and it is situated in Mohave  
County, Arizona. This claim is 1500 feet in length and 600 feet in width.

20 Total Claim Acreage. This claim runs from the location monument on which this location notice  
is posted on the centerline of the claim approximately 20 feet in a SE direction to the SE  
end line and 1480 feet in a NW direction to the NW end line. This claim is marked by six  
monuments, one at each corner and one at the center of each end line of the claim.

The location monument on which this notice is posted is situated within Section 14, Township 19  
N, Range 20 W, Gila Salt River Base and Meridian, Arizona and this claim encompasses portions  
of the following quarter section(s), section(s), Township(s) and Range(s) \_\_\_\_\_  
NE1/4 SE1/4 Sec.14 T19N R20W

Gila Salt River Base and Meridian, Arizona.

The locality of this claim with reference to some natural object or permanent monument and additional information  
(if any) concerning its locality are as follows: \_\_\_\_\_

2,134'W 2,505'S from NE corner Sec.14 T19N R20W to NW claim corner

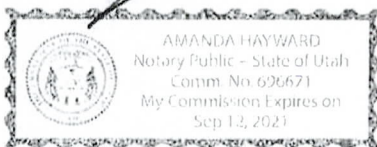
\_\_\_\_\_ The above information is shown on the attached map.

DATED AND POSTED on the ground this 17 day of October, 20 17.

LOCATOR(s)  AGENT

Print Name(s) Stuart Burgess

Signature(s) \_\_\_\_\_



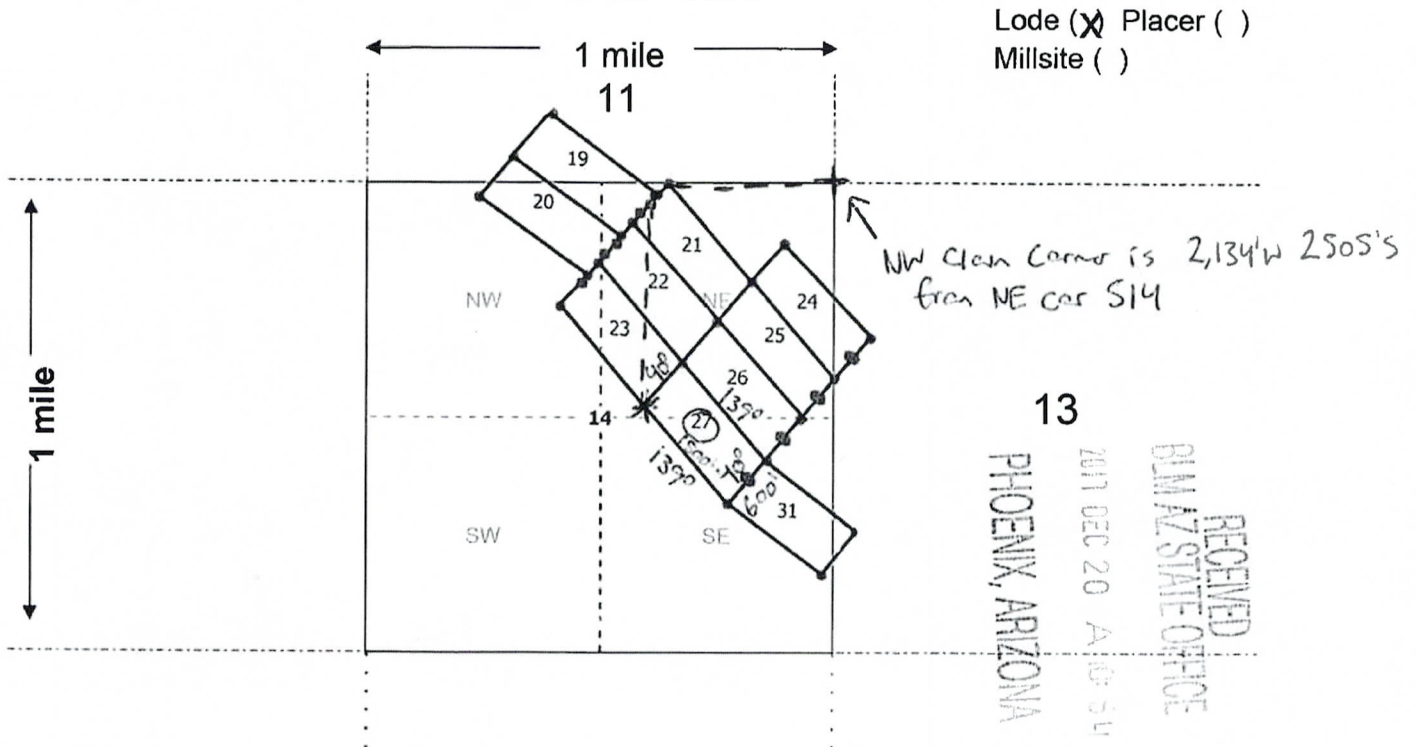
State of Utah Salt Lake  
County of \_\_\_\_\_

This instrument was signed and sworn to before me  
on 12/2/17 by Stuart Burgess  
(Name of signer)

ANH  
(Notary Signature)  
[Affix seal/stamp to the left or below]

AMC448222

**MINING CLAIM MAP**



Scale: 1" = 2000 feet



1. The above map depicts the GRMC 27 mining claim, which is located in Section (s) 14, Township 19 N, Range 20 W, Gila and Salt River Base and Meridian, Mohave County, Arizona. Total claim acreage is 20
2. The type of corner and location monuments used are as follows: 2"X2"X50" wooden posts with metal tags or rock monument
3. The bearings and distances in degrees and feet between claim corners and to a public land survey monument are as depicted on the map.
4. If the claim is a placer or millsite claim with exterior limits conforming to legal subdivisions of the public survey, provide a legal description of the claim \_\_\_\_\_

RECEIVED  
 BLM ARIZONA STATE OFFICE  
 2011 DEC 20 A 10:54  
 PHOENIX, ARIZONA

AMC 448222

**Form MCF100a**  
 Revised July 2014

This form is available from the **Arizona Geology Survey** and may be reproduced.

Gold Road Mining Corp.  
Suite 450, 1090 West Georgia Street  
Vancouver, BC V6E 3V7 Canada

LOCATION NOTICE FOR LODE MINING CLAIM

Amendment BLM Serial # \_\_\_\_\_

NOTICE IS HEREBY GIVEN that the GRMC 27  
\_\_\_\_\_ lode mining claim has been located  
by Gold Road Mining Corp. whose current mailing  
address is Suite 450, 1090 West Georgia Street  
Vancouver, BC V6E 3V7 Canada

RECEIVED  
BLM STATE OFFICE  
2017 DEC 20 A 10:51  
PHOENIX, ARIZONA  
BLM  
Date  
Stamp

The general course of this claim is Northwest-Southeast and it is situated in Mohave  
County, Arizona. This claim is 1500 feet in length and 600 feet in width.  
20 Total Claim Acreage. This claim runs from the location monument on which this location notice  
is posted on the centerline of the claim approximately 20 feet in a SE direction to the SE  
end line and 1480 feet in a NW direction to the NW end line. This claim is marked by six  
monuments, one at each corner and one at the center of each end line of the claim.

The location monument on which this notice is posted is situated within Section 14, Township 19  
N, Range 20 W, Gila Salt River Base and Meridian, Arizona and this claim encompasses portions  
of the following quarter-section(s), section(s), Township(s) and Range(s) \_\_\_\_\_  
NE1/4 SE1/4 Sec.14 T19N R20W

Gila Salt River Base and Meridian, Arizona.

The locality of this claim with reference to some natural object or permanent monument and additional information  
(if any) concerning its locality are as follows: \_\_\_\_\_  
2,134'W 2,505'S from NE corner Sec.14 T19N R20W to NW claim corner

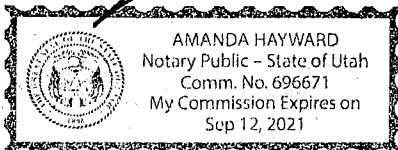
\_\_\_\_\_ The above information is shown on the attached map.

DATED AND POSTED on the ground this 17 day of October, 2017.

LOCATOR(s)  AGENT

Print Name(s) Stuart Burgess

Signature(s) \_\_\_\_\_



State of Utah Salt Lake  
County of \_\_\_\_\_

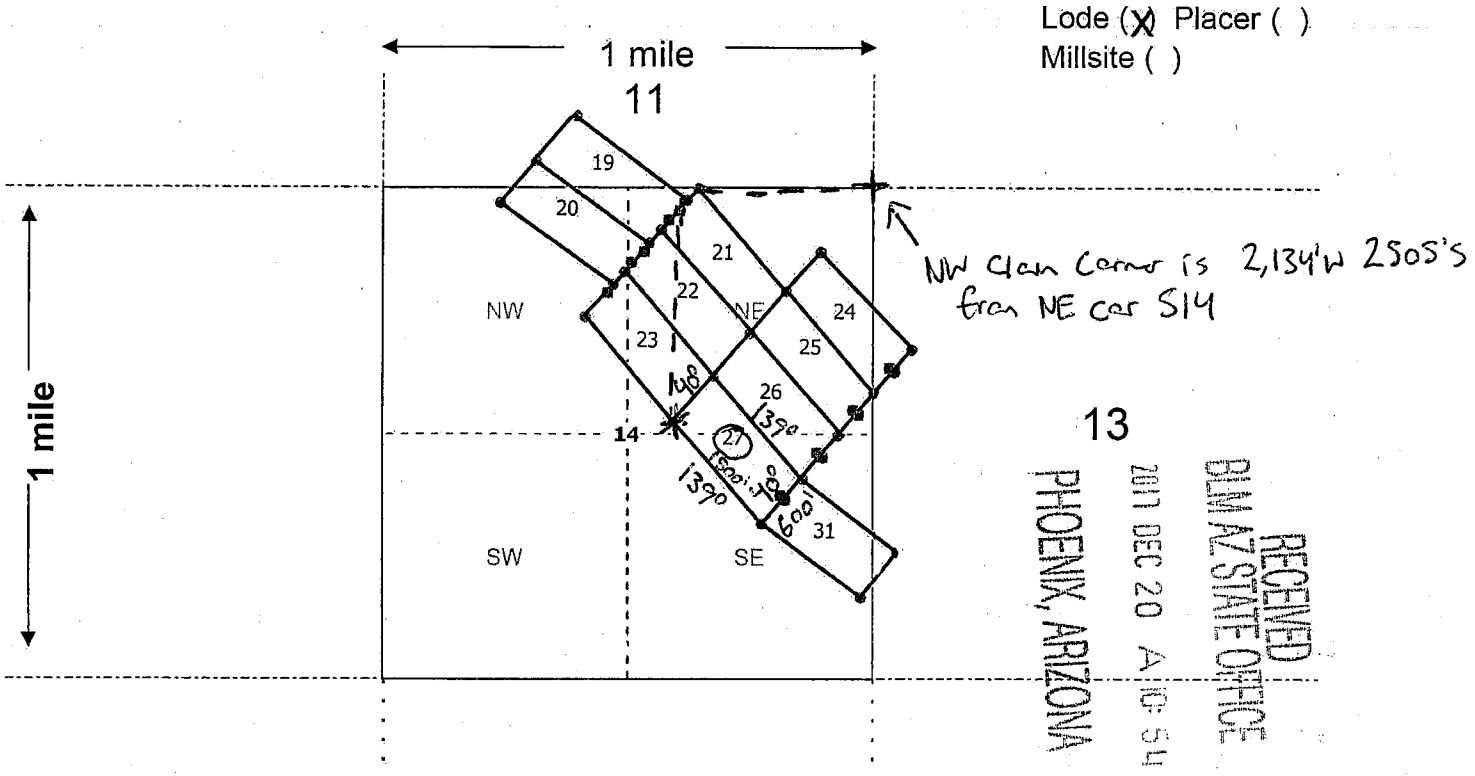
This instrument was signed and sworn to before me  
on 12/2/17 by Stuart Burgess  
(Name of signer)

AH  
(Notary Signature)

[Affix seal/stamp to the left or below]

AMC 448222

**MINING CLAIM MAP**



Scale: 1" = 2000 feet

1. The above map depicts the GRMC 27 mining claim, which is located in Section (s) 14, Township 19 N, Range 20 W, Gila and Salt River Base and Meridian, Mohave County, Arizona. Total claim acreage is 20

2. The type of corner and location monuments used are as follows: 2"X2"X50" wooden posts with metal tags or rock monument

3. The bearings and distances in degrees and feet between claim corners and to a public land survey monument are as depicted on the map.

4. If the claim is a placer or millsite claim with exterior limits conforming to legal subdivisions of the public survey, provide a legal description of the claim \_\_\_\_\_

Form MCF100a  
Revised July 2014

This form is available from the Arizona Geology Survey and may be reproduced.

AMC 448222



2E

Gold Road Mining Corp.  
Suite 450, 1090 West Georgia Street  
Vancouver, BC V6E 3V7 Canada

**FEE# 2017062211**

OFFICIAL RECORDS  
OF MOHAVE COUNTY  
KRISTI BLAIR,  
COUNTY RECORDER



12/26/2017 02:27 PM Fee: \$10.00

PAGE: 1 of 2

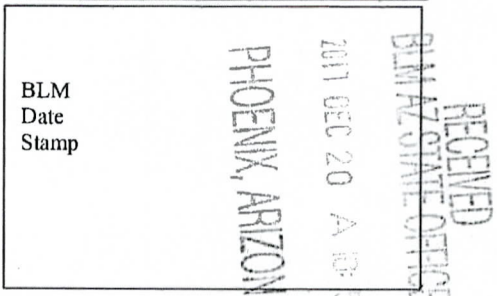
WHEN RECORDED MAIL TO (MC):

FENNEMORE CRAIG  
2394 EAST CAMELBACK RD  
SUITE 600  
PHOENIX AZ 85016

**LOCATION NOTICE FOR LODE MINING CLAIM**

Amendment BLM Serial # \_\_\_\_\_

NOTICE IS HEREBY GIVEN that the GRMC 28  
\_\_\_\_\_ lode mining claim has been located  
by Gold Road Mining Corp. whose current mailing  
address is Suite 450, 1090 West Georgia Street  
Vancouver, BC V6E 3V7 Canada



The general course of this claim is Northeast-Southeast and it is situated in Mohave  
County, Arizona. This claim is 1500 feet in length and 600 feet in width.

20 Total Claim Acreage. This claim runs from the location monument on which this location notice  
is posted on the centerline of the claim approximately 20 feet in a NW direction to the NW  
end line and 1480 feet in a SE direction to the SE end line. This claim is marked by six  
monuments, one at each corner and one at the center of each end line of the claim.

The location monument on which this notice is posted is situated within Section 13, Township 19  
N, Range 20 W, Gila Salt River Base and Meridian, Arizona and this claim encompasses portions  
of the following quarter section(s), section(s), Township(s) and Range(s) \_\_\_\_\_  
NW1/4 SW1/4 Sec.13 T19N R20W

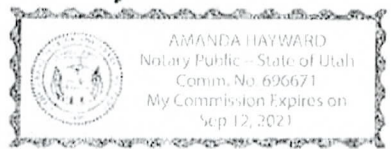
Gila Salt River Base and Meridian, Arizona.

The locality of this claim with reference to some natural object or permanent monument and additional information  
(if any) concerning its locality are as follows: \_\_\_\_\_  
5,272'W 2,202'S from NE corner Sec.13 T19N R20W to NW claim corner

\_\_\_\_\_ The above information is shown on the attached map.

DATED AND POSTED on the ground this 17 day of October, 2017.

LOCATOR(s)  AGENT  
Print Name(s) Stuart Burgess  
Signature(s) \_\_\_\_\_



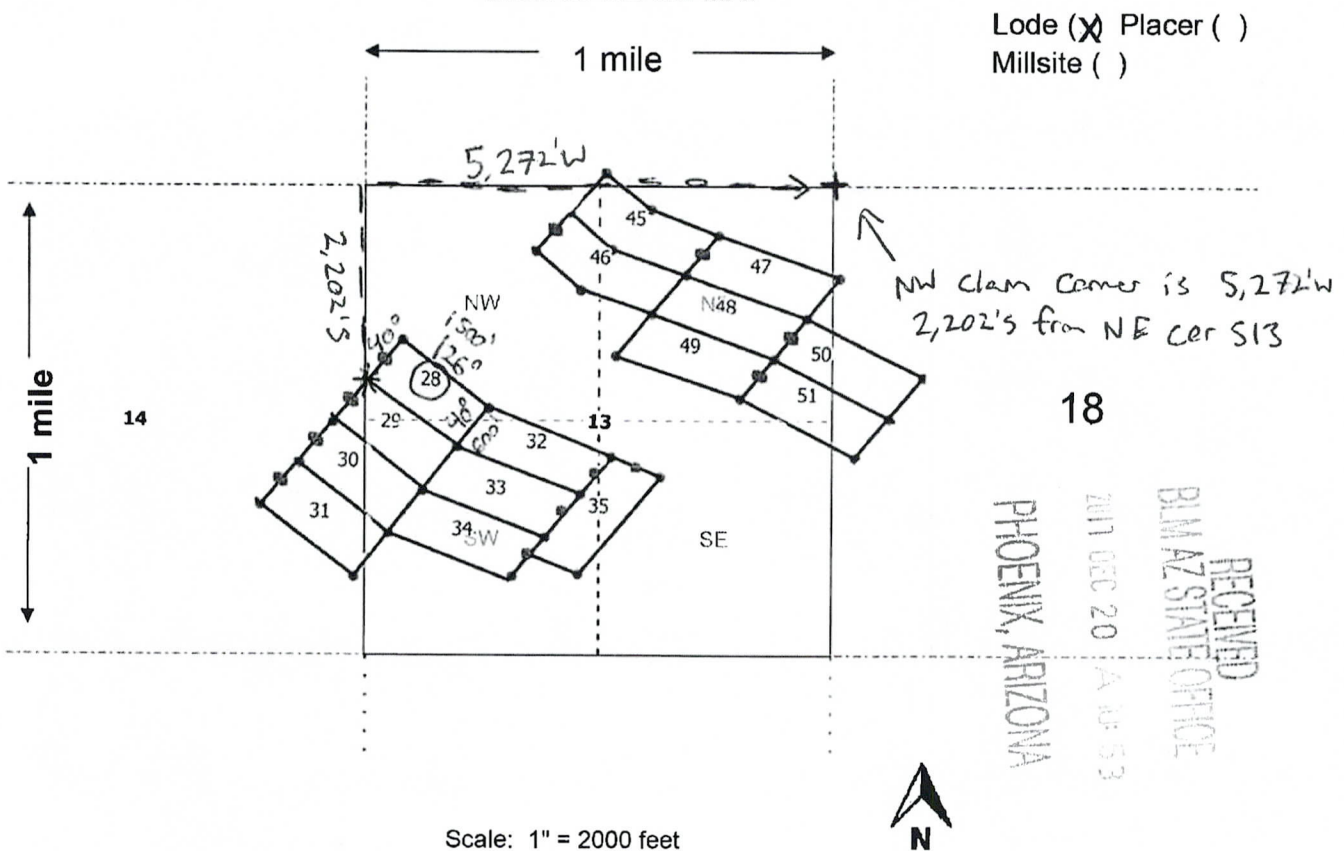
State of Utah  
County of Salt Lake

This instrument was signed and sworn to before me  
on 12/2/17 by Stuart Burgess  
(Name of signer)

AH  
(Notary Signature)  
[Affix seal/stamp to the left or below]

AMC448223

**MINING CLAIM MAP**



Scale: 1" = 2000 feet

1. The above map depicts the GRMC 28 mining claim, which is located in Section (s) 13, Township 19 N, Range 20 W, Gila and Salt River Base and Meridian, Mohave County, Arizona. Total claim acreage is 20

2. The type of corner and location monuments used are as follows: 2"X2"X50" wooden posts with metal tags or rock monument

3. The bearings and distances in degrees and feet between claim corners and to a public land survey monument are as depicted on the map.

4. If the claim is a placer or millsite claim with exterior limits conforming to legal subdivisions of the public survey, provide a legal description of the claim \_\_\_\_\_

Form MCF100a  
Revised July 2014

This form is available from the **Arizona Geology Survey** and may be reproduced.

AMC448223

Gold Road Mining Corp.  
Suite 450, 1090 West Georgia Street  
Vancouver, BC V6E 3V7 Canada

LOCATION NOTICE FOR LODE MINING CLAIM

Amendment BLM Serial # \_\_\_\_\_

NOTICE IS HEREBY GIVEN that the GRMC 28  
\_\_\_\_\_ lode mining claim has been located  
by Gold Road Mining Corp. whose current mailing  
address is Suite 450, 1090 West Georgia Street  
Vancouver, BC V6E 3V7 Canada

BLM  
Date  
Stamp  
2017 DEC 20 A 10:53  
PHOENIX, ARIZONA  
BLM AZ STATE OFFICE

RECEIVED

The general course of this claim is Northeast-Southeast and it is situated in Mohave  
County, Arizona. This claim is 1500 feet in length and 600 feet in width.

20 Total Claim Acreage. This claim runs from the location monument on which this location notice  
is posted on the centerline of the claim approximately 20 feet in a NW direction to the NW  
end line and 1480 feet in a SE direction to the SE end line. This claim is marked by six  
monuments, one at each corner and one at the center of each end line of the claim.

The location monument on which this notice is posted is situated within Section 13, Township 19  
N, Range 20 W, Gila Salt River Base and Meridian, Arizona and this claim encompasses portions  
of the following quarter section(s), section(s), Township(s) and Range(s) \_\_\_\_\_  
NW1/4 SW1/4 Sec.13 T19N R20W

Gila Salt River Base and Meridian, Arizona.

The locality of this claim with reference to some natural object or permanent monument and additional information  
(if any) concerning its locality are as follows: \_\_\_\_\_  
5,272'W 2,202'S from NE corner Sec.13 T19N R20W to NW claim corner

\_\_\_\_\_ The above information is shown on the attached map.

DATED AND POSTED on the ground this 17 day of October, 2017.

LOCATOR(s)  AGENT

Print Name(s) Stuart Burgess

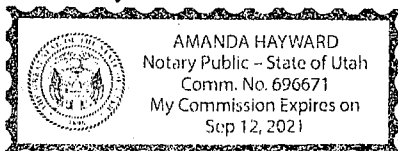
Signature(s) \_\_\_\_\_

State of Utah  
County of Salt Lake

This instrument was signed and sworn to before me  
on 12/2/17 by Stuart Burgess  
(Name of signer)

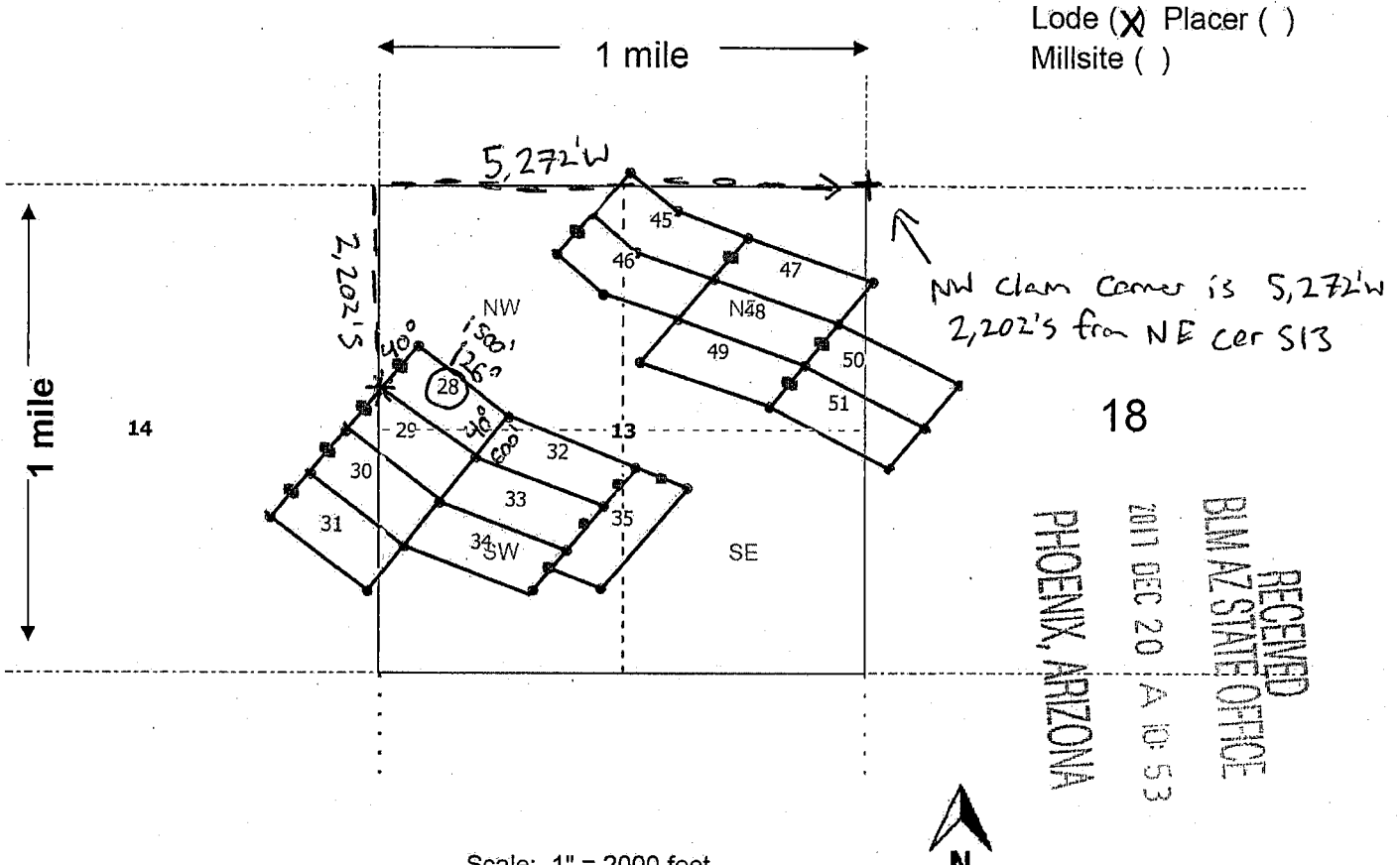
AH

(Notary Signature)  
[Affix seal/stamp to the left or below]



AMC 448223

**MINING CLAIM MAP**



Scale: 1" = 2000 feet

1. The above map depicts the GRMC 28 mining claim, which is located in Section (s) 13, Township 19 N, Range 20 W, Gila and Salt River Base and Meridian, Mohave County, Arizona. Total claim acreage is 20

2. The type of corner and location monuments used are as follows: 2"X2"X50" wooden posts with metal tags or rock monument

3. The bearings and distances in degrees and feet between claim corners and to a public land survey monument are as depicted on the map.

4. If the claim is a placer or millsite claim with exterior limits conforming to legal subdivisions of the public survey, provide a legal description of the claim \_\_\_\_\_

RECEIVED  
 BLM AZ STATE OFFICE  
 2017 DEC 20 A 10:53  
 PHOENIX, ARIZONA

AMC448223

Form MCF100a  
 Revised July 2014

This form is available from the Arizona Geology Survey and may be reproduced.

2E

Gold Road Mining Corp.  
Suite 450, 1090 West Georgia Street  
Vancouver, BC V6E 3V7 Canada

**FEE# 2017062212**

OFFICIAL RECORDS  
OF MOHAVE COUNTY  
KRISTI BLAIR,  
COUNTY RECORDER



12/26/2017 02:27 PM Fee: \$10.00

PAGE: 1 of 2

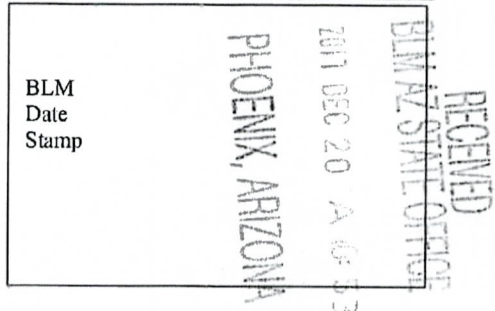
WHEN RECORDED MAIL TO (MC):

FENNEMORE CRAIG  
2394 EAST CAMELBACK RD  
SUITE 600  
PHOENIX AZ 85016

**LOCATION NOTICE FOR LODE MINING CLAIM**

Amendment BLM Serial # \_\_\_\_\_

NOTICE IS HEREBY GIVEN that the GRMC 29  
\_\_\_\_\_ lode mining claim has been located  
by Gold Road Mining Corp. whose current mailing  
address is Suite 450, 1090 West Georgia Street  
Vancouver, BC V6E 3V7 Canada



The general course of this claim is Northwest-Southeast and it is situated in Mohave  
County, Arizona. This claim is 1500 feet in length and 600 feet in width.

20 Total Claim Acreage. This claim runs from the location monument on which this location notice  
is posted on the centerline of the claim approximately 20 feet in a NW direction to the NW  
end line and 1480 feet in a SE direction to the SE end line. This claim is marked by six  
monuments, one at each corner and one at the center of each end line of the claim.

The location monument on which this notice is posted is situated within Section 14, Township 19  
N, Range 20 W, Gila Salt River Base and Meridian, Arizona and this claim encompasses portions  
of the following quarter section(s), section(s), Township(s) and Range(s) \_\_\_\_\_  
NW1/4 SW1/4 Sec.13 NE1/4, SE1/4 Sec.14 T19N R20W

Gila Salt River Base and Meridian, Arizona.

The locality of this claim with reference to some natural object or permanent monument and additional information  
(if any) concerning its locality are as follows: \_\_\_\_\_

381'W 2,625'N from SE corner Sec.14 T19N R20W to NW claim corner

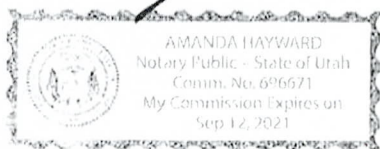
\_\_\_\_\_ The above information is shown on the attached map.

DATED AND POSTED on the ground this 17 day of October, 2017.

LOCATOR(s)  AGENT

Print Name(s) Stuart Burgess

Signature(s) \_\_\_\_\_



State of Utah  
County of Salt Lake

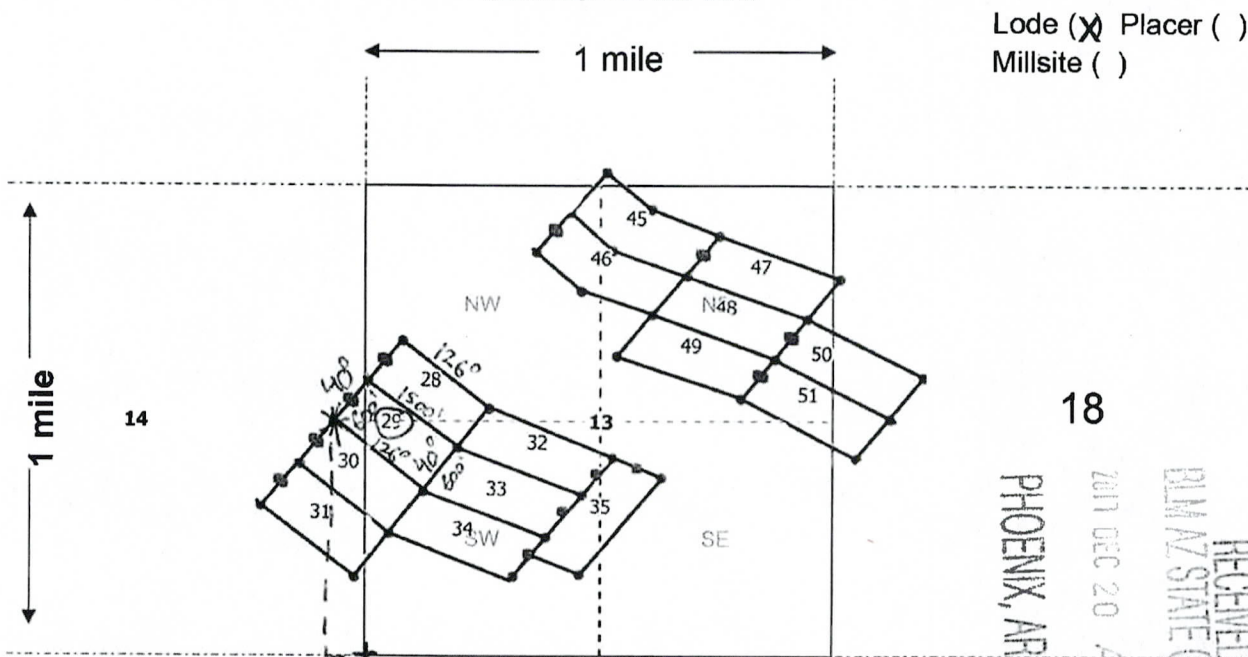
This instrument was signed and sworn to before me  
on 12/12/17 by Stuart Burgess  
(Name of signer)

AKH

(Notary Signature)  
[Affix seal/stamp to the left or below]

AMC448224

**MINING CLAIM MAP**



Lode (X) Placer ( )  
Millsite ( )

1 mile

1 mile

18

RECEIVED  
BLM AZ STATE OFFICE  
PHOENIX, ARIZONA  
2017 DEC 20 A 10:53

NW claim corner is 381' W 2,625' N from SE cor S14

Scale: 1" = 2000 feet



1. The above map depicts the GRMC 29 mining claim, which is located in Section (s) 13,14, Township 19 N, Range 20 W, Gila and Salt River Base and Meridian, Mohave County, Arizona. Total claim acreage is 20

2. The type of corner and location monuments used are as follows: 2"X2"X50" wooden posts with metal tags or rock monument

3. The bearings and distances in degrees and feet between claim corners and to a public land survey monument are as depicted on the map.

4. If the claim is a placer or millsite claim with exterior limits conforming to legal subdivisions of the public survey, provide a legal description of the claim \_\_\_\_\_

Form MCF100a  
Revised July 2014

This form is available from the Arizona Geology Survey and may be reproduced.

AMC 448224

Gold Road Mining Corp.  
Suite 450, 1090 West Georgia Street  
Vancouver, BC V6E 3V7 Canada

**LOCATION NOTICE FOR LODE MINING CLAIM**

Amendment BLM Serial # \_\_\_\_\_

NOTICE IS HEREBY GIVEN that the GRMC 29  
\_\_\_\_\_ lode mining claim has been located  
by Gold Road Mining Corp. whose current mailing  
address is Suite 450, 1090 West Georgia Street  
Vancouver, BC V6E 3V7 Canada

RECEIVED  
BLM AZ STATE OFFICE  
2017 DEC 20 A 10:53  
PHOENIX, ARIZONA  
BLM  
Date  
Stamp

The general course of this claim is Northwest-Southeast and it is situated in Mohave  
County, Arizona. This claim is 1500 feet in length and 600 feet in width.

20 Total Claim Acreage. This claim runs from the location monument on which this location notice  
is posted on the centerline of the claim approximately 20 feet in a NW direction to the NW  
end line and 1480 feet in a SE direction to the SE end line. This claim is marked by six  
monuments, one at each corner and one at the center of each end line of the claim.

The location monument on which this notice is posted is situated within Section 14, Township 19  
N, Range 20 W, Gila Salt River Base and Meridian, Arizona and this claim encompasses portions  
of the following quarter section(s), section(s), Township(s) and Range(s) \_\_\_\_\_  
NW1/4 SW1/4 Sec.13 NE1/4, SE1/4 Sec.14 T19N R20W

Gila Salt River Base and Meridian, Arizona.

The locality of this claim with reference to some natural object or permanent monument and additional information  
(if any) concerning its locality are as follows: \_\_\_\_\_  
381'W 2,625'N from SE corner Sec.14 T19N R20W to NW claim corner

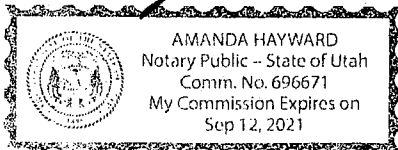
\_\_\_\_\_ The above information is shown on the attached map.

DATED AND POSTED on the ground this 17 day of October, 2017.

LOCATOR(s)  AGENT

Print Name(s) Stuart Burgess

Signature(s) \_\_\_\_\_



State of Utah Salt Lake  
County of \_\_\_\_\_

This instrument was signed and sworn to before me  
on 12/12/17 by Stuart Burgess  
(Name of signer)

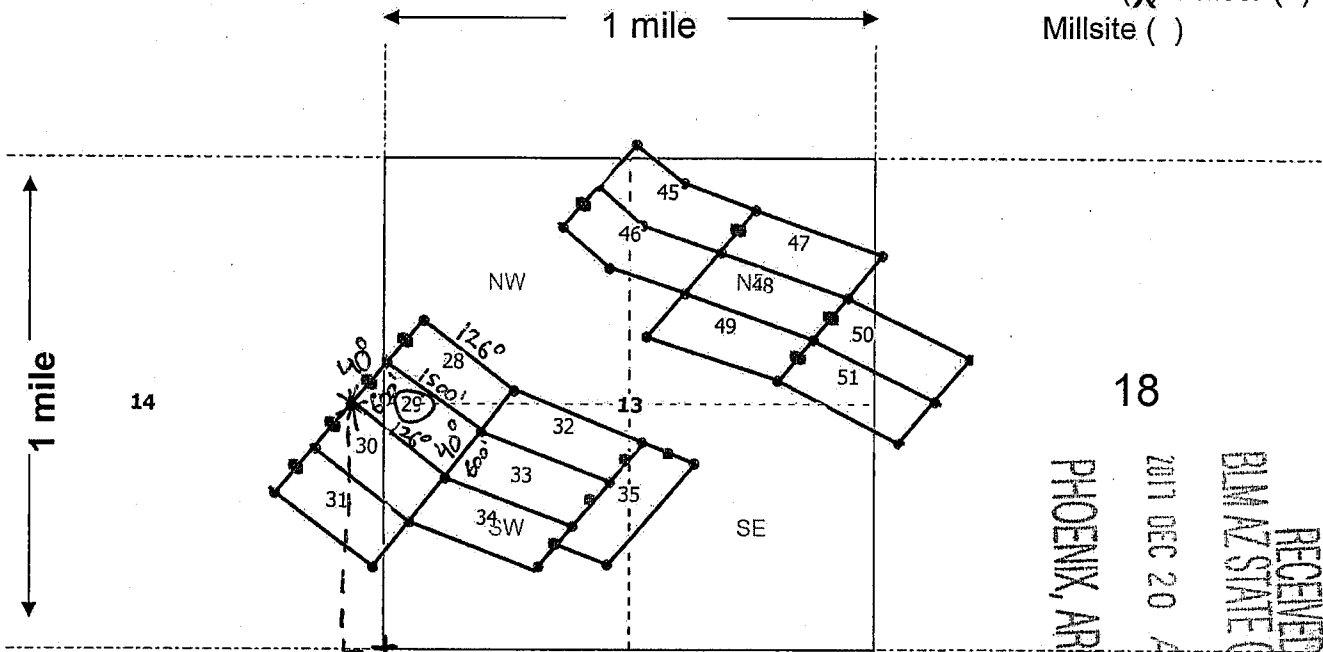
AH

(Notary Signature)  
[Affix seal/stamp to the left or below]

AMC 448224

**MINING CLAIM MAP**

Lode (X) Placer ( )  
Millsite ( )



NW claim corner is 381'W 2,625'N from SE cor S14

Scale: 1" = 2000 feet



PHOENIX, ARIZONA

18

2011 DEC 20 A 10:53

RECEIVED  
BIA AZ STATE OFFICE

RECEIVED

AMC 448224

1. The above map depicts the GRMC 29 mining claim, which is located in Section (s) 13,14, Township 19 N, Range 20 W, Gila and Salt River Base and Meridian, Mohave County, Arizona. Total claim acreage is 20

2. The type of corner and location monuments used are as follows: 2"X2"X50" wooden posts with metal tags or rock monument

3. The bearings and distances in degrees and feet between claim corners and to a public land survey monument are as depicted on the map.

4. If the claim is a placer or millsite claim with exterior limits conforming to legal subdivisions of the public survey, provide a legal description of the claim \_\_\_\_\_

Form MCF100a  
Revised July 2014

This form is available from the Arizona Geology Survey and may be reproduced.



2.E

Gold Road Mining Corp.  
Suite 450, 1090 West Georgia Street  
Vancouver, BC V6E 3V7 Canada



FEE# 2017062213

OFFICIAL RECORDS  
OF MOHAVE COUNTY  
KRISTI BLAIR,  
COUNTY RECORDER



12/26/2017 02:27 PM Fee: \$10.00

PAGE: 1 of 2

WHEN RECORDED MAIL TO (MC):

FENNEMORE CRAIG  
2394 EAST CAMELBACK RD  
SUITE 600  
PHOENIX AZ 85016

LOCATION NOTICE FOR LODE MINING CLAIM

Amendment BLM Serial # \_\_\_\_\_

NOTICE IS HEREBY GIVEN that the GRMC 30  
\_\_\_\_\_ lode mining claim has been located  
by Gold Road Mining Corp. whose current mailing  
address is Suite 450, 1090 West Georgia Street  
Vancouver, BC V6E 3V7 Canada

BLM  
Date  
Stamp

RECEIVED  
BLM STATE OFFICE  
PHOENIX, ARIZONA  
DEC 20 10 05 53

The general course of this claim is Northwest-Southeast and it is situated in Mohave  
County, Arizona. This claim is 1500 feet in length and 600 feet in width.

20 Total Claim Acreage. This claim runs from the location monument on which this location notice  
is posted on the centerline of the claim approximately 20 feet in a NW direction to the NW  
end line and 1480 feet in a SE direction to the SE end line. This claim is marked by six  
monuments, one at each corner and one at the center of each end line of the claim.

The location monument on which this notice is posted is situated within Section 14, Township 19  
N, Range 20 W, Gila Salt River Base and Meridian, Arizona and this claim encompasses portions  
of the following quarter section(s), section(s), Township(s) and Range(s) \_\_\_\_\_  
SW1/4 Sec. 13 NE1/4 SE1/4 Sec. 14 T19N R20W

Gila Salt River Base and Meridian, Arizona.

The locality of this claim with reference to some natural object or permanent monument and additional information  
(if any) concerning its locality are as follows: \_\_\_\_\_

761'W 2,161'N from SE corner Sec. 14 T19N R20W to NW claim corner

\_\_\_\_\_ The above information is shown on the attached map.

DATED AND POSTED on the ground this 17 day of October, 2017.

LOCATOR(s)  AGENT

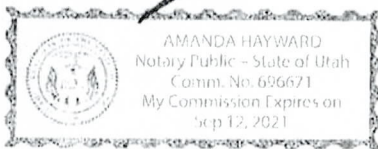
Print Name(s) Stuart Burgess

Signature(s) \_\_\_\_\_

State of Utah  
County of Salt Lake

This instrument was signed and sworn to before me  
on 12/2/17 by Stuart Burgess  
(Name of signer)

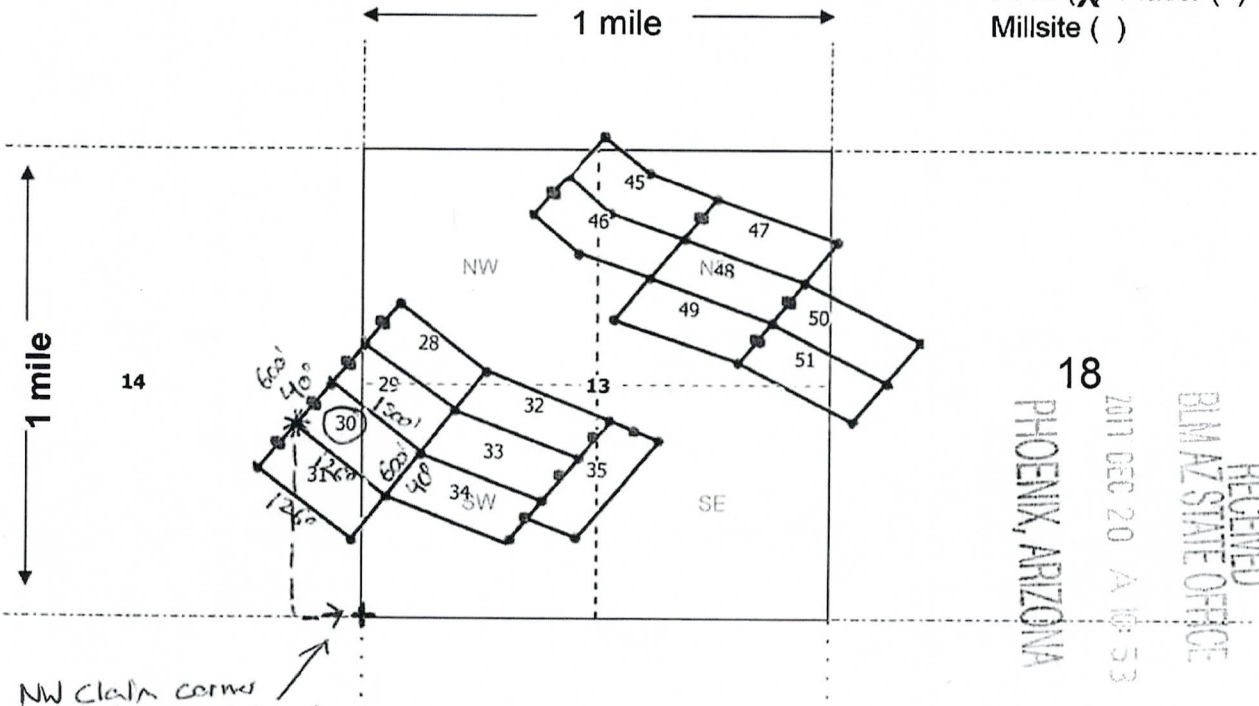
(Notary Signature)  
[Affix seal/stamp to the left or below]



AMC 448225

**MINING CLAIM MAP**

Lode (X) Placer ( )  
Millsite ( )



NW claim corner  
is 761' W 2,161' N from  
SE cor S14

Scale: 1" = 2000 feet



RECEIVED  
BLM AZ STATE OFFICE  
2011 DEC 20 A 10:53  
PHOENIX, ARIZONA

AMC448225

1. The above map depicts the GRMC 30 mining claim, which is located in Section (s) 13,14, Township 19 N, Range 20 W, Gila and Salt River Base and Meridian, Mohave County, Arizona. Total claim acreage is 20

2. The type of corner and location monuments used are as follows: 2"X2"X50" wooden posts with metal tags or rock monument

3. The bearings and distances in degrees and feet between claim corners and to a public land survey monument are as depicted on the map.

4. If the claim is a placer or millsite claim with exterior limits conforming to legal subdivisions of the public survey, provide a legal description of the claim \_\_\_\_\_

Form MCF100a  
Revised July 2014

This form is available from the Arizona Geology Survey and may be reproduced.

Gold Road Mining Corp.  
Suite 450, 1090 West Georgia Street  
Vancouver, BC V6E 3V7 Canada

LOCATION NOTICE FOR LODE MINING CLAIM

Amendment BLM Serial # \_\_\_\_\_

NOTICE IS HEREBY GIVEN that the GRMC 30  
\_\_\_\_\_ lode mining claim has been located  
by Gold Road Mining Corp. whose current mailing  
address is Suite 450, 1090 West Georgia Street  
Vancouver, BC V6E 3V7 Canada

RECEIVED  
BLM AZ STATE OFFICE  
PHOENIX, ARIZONA  
2017 DEC 20 A 10:53  
BLM  
Date  
Stamp

The general course of this claim is Northwest-Southeast and it is situated in Mohave  
County, Arizona. This claim is 1500 feet in length and 600 feet in width.

20 Total Claim Acreage. This claim runs from the location monument on which this location notice  
is posted on the centerline of the claim approximately 20 feet in a NW direction to the NW  
end line and 1480 feet in a SE direction to the SE end line. This claim is marked by six  
monuments, one at each corner and one at the center of each end line of the claim.

The location monument on which this notice is posted is situated within Section 14, Township 19  
N, Range 20 W, Gila Salt River Base and Meridian, Arizona and this claim encompasses portions  
of the following quarter section(s), section(s), Township(s) and Range(s) \_\_\_\_\_  
SW1/4 Sec.13 NE1/4 SE1/4 Sec.14 T19N R20W

Gila Salt River Base and Meridian, Arizona.

The locality of this claim with reference to some natural object or permanent monument and additional information  
(if any) concerning its locality are as follows: \_\_\_\_\_  
761'W 2,161'N from SE corner Sec.14 T19N R20W to NW claim corner

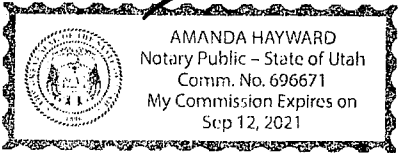
\_\_\_\_\_ The above information is shown on the attached map.

DATED AND POSTED on the ground this 17 day of October, 20 17.

LOCATOR(s)  AGENT  
Print Name(s) Stuart Burgess  
Signature(s) \_\_\_\_\_

State of Utah  
County of Salt Lake

This instrument was signed and sworn to before me  
on 12/2/17 by Stuart Burgess  
(Name of signer)

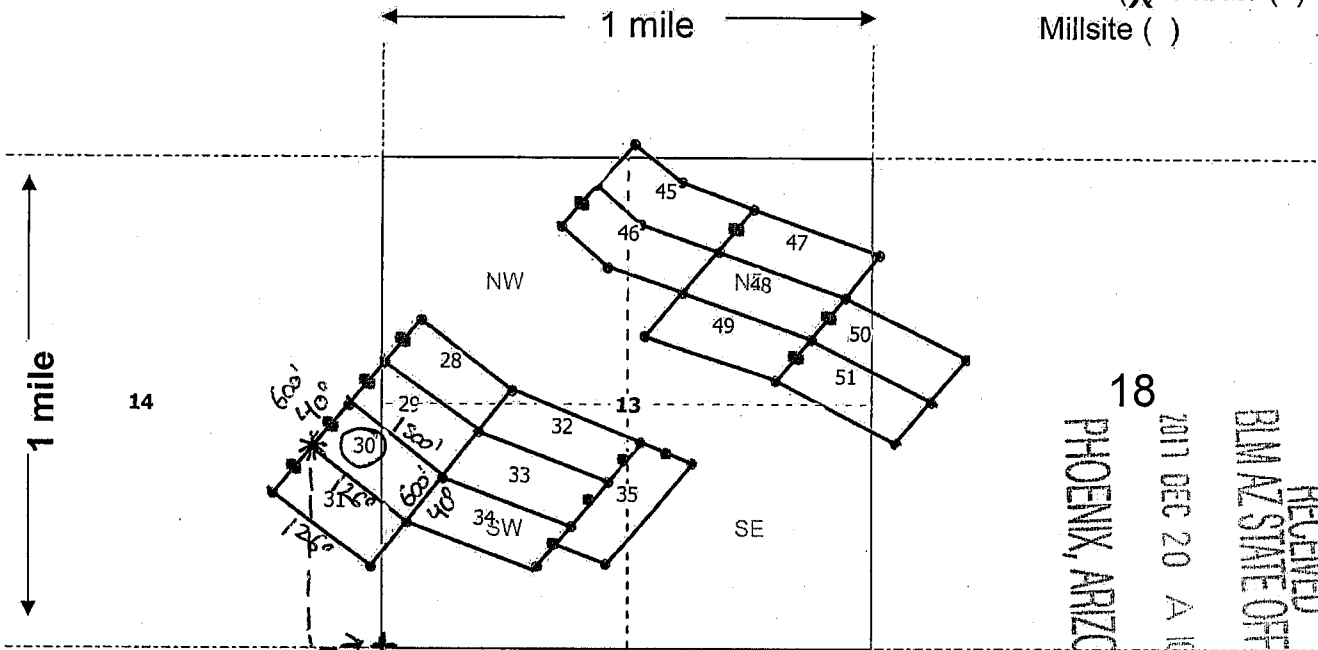


AMH  
(Notary Signature)  
[Affix seal/stamp to the left or below]

AMC448225

**MINING CLAIM MAP**

Lode (X) Placer ( )  
Millsite ( )



RECEIVED  
 BLM AZ STATE OFFICE  
 PHOENIX, ARIZONA  
 2017 DEC 20 A 10:53

NW claim corner  
is 761' W 2,161' N from  
SE cor S14

Scale: 1" = 2000 feet



1. The above map depicts the GRMC 30 mining claim, which is located in Section (s) 13,14, Township 19 N, Range 20 W, Gila and Salt River Base and Meridian, Mohave County, Arizona. Total claim acreage is 20

2. The type of corner and location monuments used are as follows: 2"X2"X50" wooden posts with metal tags or rock monument

3. The bearings and distances in degrees and feet between claim corners and to a public land survey monument are as depicted on the map.

4. If the claim is a placer or millsite claim with exterior limits conforming to legal subdivisions of the public survey, provide a legal description of the claim \_\_\_\_\_

Form MCF100a  
Revised July 2014

This form is available from the Arizona Geology Survey and may be reproduced.

AMC 448225

2E

Gold Road Mining Corp.  
Suite 450, 1090 West Georgia Street  
Vancouver, BC V6E 3V7 Canada



FEE# 2017062214

OFFICIAL RECORDS  
OF MOHAVE COUNTY  
KRISTI BLAIR,  
COUNTY RECORDER



12/26/2017 02:27 PM Fee: \$10.00

PAGE: 1 of 2

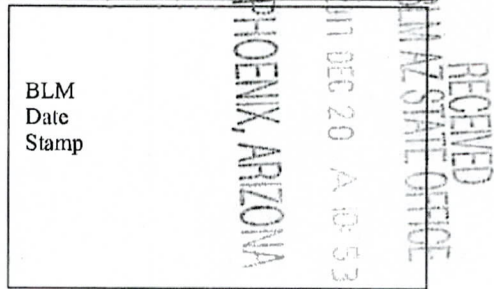
WHEN RECORDED MAIL TO (MC):

FENNEMORE CRAIG  
2394 EAST CAMELBACK RD  
SUITE 600  
PHOENIX AZ 85016

LOCATION NOTICE FOR LODE MINING CLAIM

Amendment BLM Serial # \_\_\_\_\_

NOTICE IS HEREBY GIVEN that the GRMC 31  
\_\_\_\_\_ lode mining claim has been located  
by Gold Road Mining Corp. whose current mailing  
address is Suite 450, 1090 West Georgia Street  
Vancouver, BC V6E 3V7 Canada



The general course of this claim is Northwest-Southeast and it is situated in Mohave  
County, Arizona. This claim is 1500 feet in length and 600 feet in width.

20 Total Claim Acreage. This claim runs from the location monument on which this location notice  
is posted on the centerline of the claim approximately 20 feet in a NW direction to the NW  
end line and 1480 feet in a SE direction to the SE end line. This claim is marked by six  
monuments, one at each corner and one at the center of each end line of the claim.

The location monument on which this notice is posted is situated within Section 14, Township 19  
N, Range 20 W, Gila Salt River Base and Meridian, Arizona and this claim encompasses portions  
of the following quarter section(s), section(s), Township(s) and Range(s) \_\_\_\_\_  
SE1/4 Sec.14 SW1/4 Sec.13 T19N R20W

Gila Salt River Base and Meridian, Arizona.

The locality of this claim with reference to some natural object or permanent monument and additional information  
(if any) concerning its locality are as follows: \_\_\_\_\_  
1,203'W 1,685'N from SE corner Sec.14 T19N R20W to NW claim corner

\_\_\_\_\_ The above information is shown on the attached map.

DATED AND POSTED on the ground this 17 day of October, 2017.

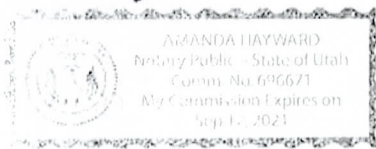
LOCATOR(s)  AGENT  
Print Name(s) Stuart Burgess  
Signature(s) \_\_\_\_\_

State of Utah  
County of Salt Lake

This instrument was signed and sworn to before me  
on 12/2/17 by Stuart Burgess  
(Name of signer)

AH  
(Notary Signature)

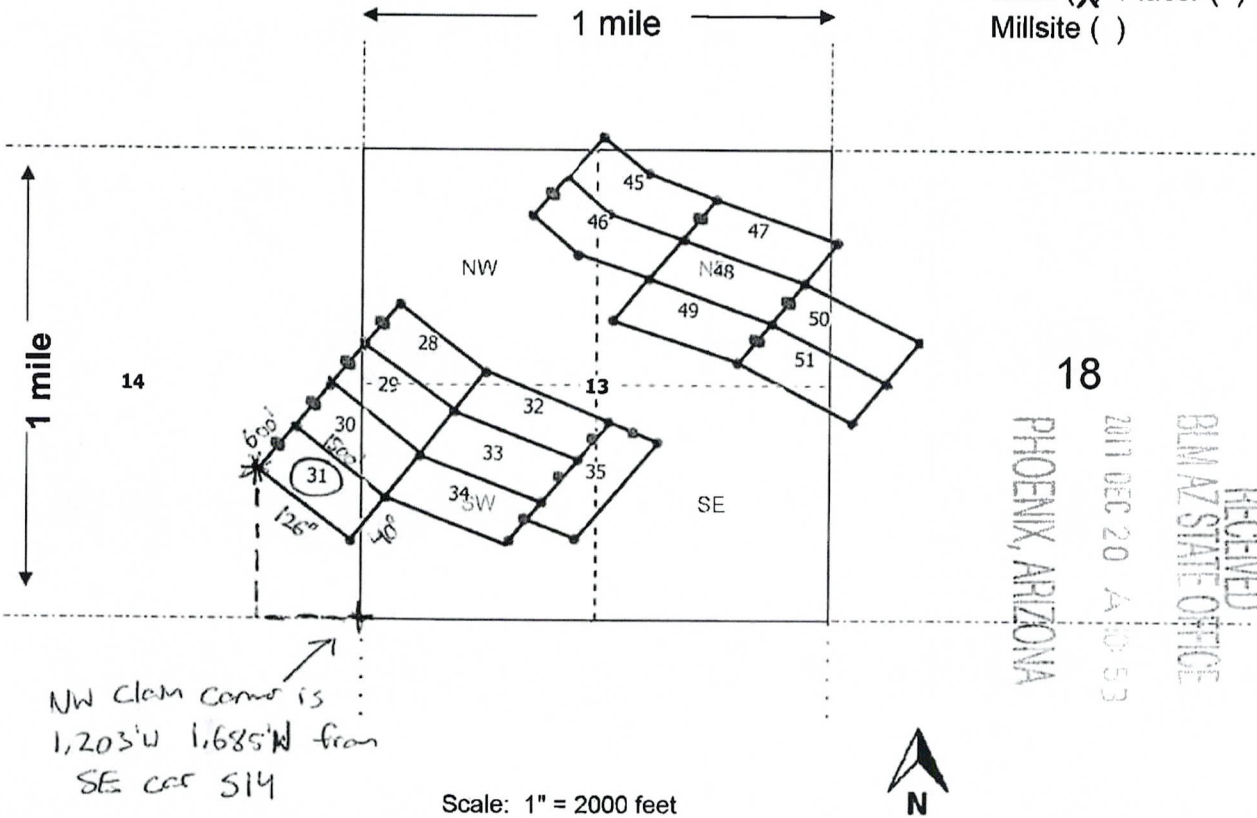
[Affix seal/stamp to the left or below]



AMC448226

**MINING CLAIM MAP**

Lode (X) Placer ( )  
Millsite ( )



NW claim corner is  
1,203'W 1,685'N from  
SE cor S14

Scale: 1" = 2000 feet



RECEIVED  
BLM AZ STATE OFFICE  
2011 DEC 20 4:10:53  
PHOENIX, ARIZONA

AMC44822b

- The above map depicts the GRMC 31 mining claim, which is located in Section (s) 13,14, Township 19 N, Range 20 W, Gila and Salt River Base and Meridian, Mohave County, Arizona. Total claim acreage is 20
- The type of corner and location monuments used are as follows: 2"X2"X50" wooden posts with metal tags or rock monument
- The bearings and distances in degrees and feet between claim corners and to a public land survey monument are as depicted on the map.
- If the claim is a placer or millsite claim with exterior limits conforming to legal subdivisions of the public survey, provide a legal description of the claim \_\_\_\_\_

Form MCF100a  
Revised July 2014

This form is available from the **Arizona Geology Survey** and may be reproduced.

Gold Road Mining Corp.  
Suite 450, 1090 West Georgia Street  
Vancouver, BC V6E 3V7 Canada

**LOCATION NOTICE FOR LODE MINING CLAIM**

Amendment BLM Serial # \_\_\_\_\_

NOTICE IS HEREBY GIVEN that the GRMC 31  
\_\_\_\_\_ lode mining claim has been located  
by Gold Road Mining Corp. whose current mailing  
address is Suite 450, 1090 West Georgia Street  
Vancouver, BC V6E 3V7 Canada

RECEIVED  
BLM AZ STATE OFFICE  
PHOENIX, ARIZONA  
DEC 20 A 10:53  
BLM  
Date  
Stamp

The general course of this claim is Northwest-Southeast and it is situated in Mohave  
County, Arizona. This claim is 1500 feet in length and 600 feet in width.

20 Total Claim Acreage. This claim runs from the location monument on which this location notice  
is posted on the centerline of the claim approximately 20 feet in a NW direction to the NW  
end line and 1480 feet in a SE direction to the SE end line. This claim is marked by six  
monuments, one at each corner and one at the center of each end line of the claim.

The location monument on which this notice is posted is situated within Section 14, Township 19  
N, Range 20 W, Gila Salt River Base and Meridian, Arizona and this claim encompasses portions  
of the following quarter section(s), section(s), Township(s) and Range(s) \_\_\_\_\_  
SE1/4 Sec.14 SW1/4 Sec.13 T19N R20W

Gila Salt River Base and Meridian, Arizona.

The locality of this claim with reference to some natural object or permanent monument and additional information  
(if any) concerning its locality are as follows: \_\_\_\_\_

1,203'W 1,685'N from SE corner Sec.14 T19N R20W to NW claim corner

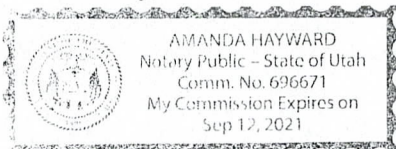
\_\_\_\_\_ The above information is shown on the attached map.

DATED AND POSTED on the ground this 17 day of October, 2017.

LOCATOR(s)  AGENT

Print Name(s) Stuart Burgess

Signature(s) \_\_\_\_\_



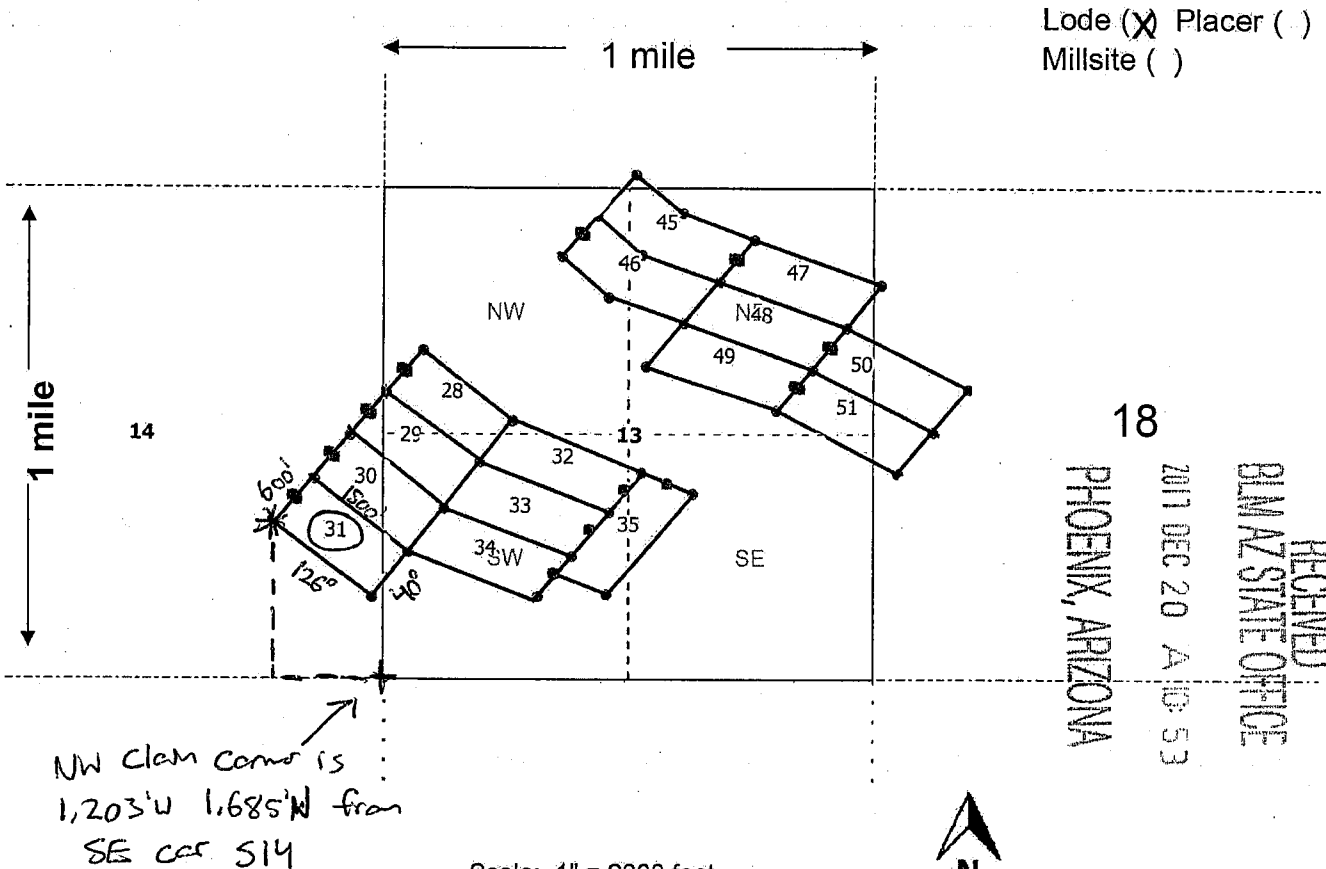
State of Utah Salt Lake  
County of \_\_\_\_\_

This instrument was signed and sworn to before me  
on 12/2/17 by Stuart Burgess  
(Name of signer)

AH  
(Notary Signature)  
[Affix seal/stamp to the left or below]

AMC448226

**MINING CLAIM MAP**



Lode (X) Placer (.)  
Millsite ( )

RECEIVED  
 BLM AZ STATE OFFICE  
 PHOENIX, ARIZONA  
 2017 DEC 20 A 10:53  
 18

NW claim corner is  
1,203'U 1,685'W from  
SE cor. S14

Scale: 1" = 2000 feet



1. The above map depicts the GRMC 31 mining claim, which is located in Section (s) 13,14, Township 19 N, Range 20 W, Gila and Salt River Base and Meridian, Mohave County, Arizona. Total claim acreage is 20
2. The type of corner and location monuments used are as follows: 2"X2"X50" wooden posts with metal tags or rock monument
3. The bearings and distances in degrees and feet between claim corners and to a public land survey monument are as depicted on the map.
4. If the claim is a placer or millsite claim with exterior limits conforming to legal subdivisions of the public survey, provide a legal description of the claim \_\_\_\_\_

Form MCF100a  
Revised July 2014

This form is available from the Arizona Geology Survey and may be reproduced.

AMC 448226





FEE# 2017062215

OFFICIAL RECORDS OF MOHAVE COUNTY KRISTI BLAIR COUNTY RECORDER



12/26/2017 02:27 PM Fee: \$10.00

PAGE: 1 of 2

2E

Gold Road Mining Corp. Suite 450, 1090 West Georgia Street Vancouver, BC V6E 3V7 Canada

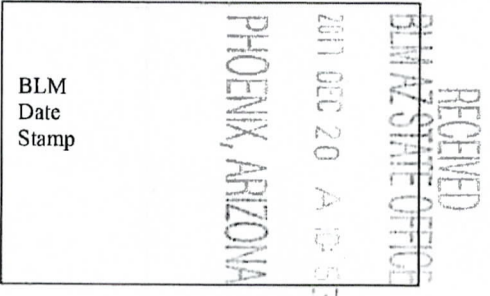
WHEN RECORDED MAIL TO (MC):

FENNEMORE CRAIG 2394 EAST CAMELBACK RD SUITE 600 PHOENIX AZ 85016

LOCATION NOTICE FOR LODE MINING CLAIM

Amendment BLM Serial #

NOTICE IS HEREBY GIVEN that the GRMC 32 lode mining claim has been located by Gold Road Mining Corp. whose current mailing address is Suite 450, 1090 West Georgia Street Vancouver, BC V6E 3V7 Canada



The general course of this claim is Northwest-Southeast and it is situated in Mohave County, Arizona. This claim is 1500 feet in length and 600 feet in width.

20 Total Claim Acreage. This claim runs from the location monument on which this location notice is posted on the centerline of the claim approximately 20 feet in a SE direction to the SE end line and 1480 feet in a NW direction to the NW end line. This claim is marked by six monuments, one at each corner and one at the center of each end line of the claim.

The location monument on which this notice is posted is situated within Section 13, Township 19 N, Range 20 W, Gila Salt River Base and Meridian, Arizona and this claim encompasses portions of the following quarter section(s), section(s), Township(s) and Range(s) NW1/4, SW1/4 SE1/4 Sec.13 T19N R20W

Gila Salt River Base and Meridian, Arizona.

The locality of this claim with reference to some natural object or permanent monument and additional information (if any) concerning its locality are as follows: 4,255'W 2,929'S from NE corner Sec.13 T19N R20W to NW claim corner

The above information is shown on the attached map.

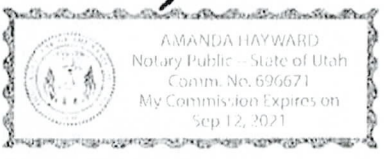
DATED AND POSTED on the ground this 18 day of October, 2017.

LOCATOR(s) AGENT Print Name(s) Stuart Burgess Signature(s)

State of Utah County of Salt Lake

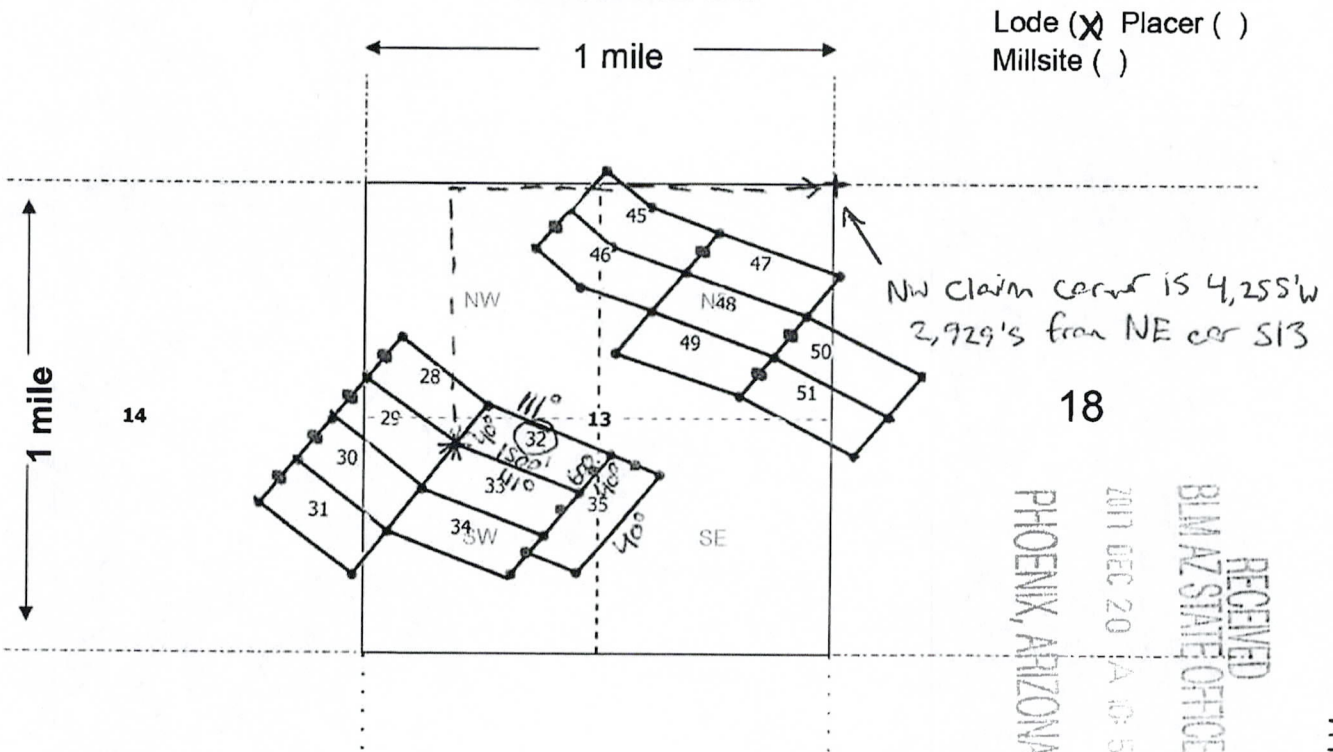
This instrument was signed and sworn to before me on 12/2/17 by Stuart Burgess (Name of signer)

(Notary Signature) [Signature]



AMC448227

**MINING CLAIM MAP**



Scale: 1" = 2000 feet

1. The above map depicts the GRMC 32 mining claim, which is located in Section (s) 13, Township 19 N, Range 20 W, Gila and Salt River Base and Meridian, Mohave County, Arizona. Total claim acreage is 20

2. The type of corner and location monuments used are as follows: 2"X2"X50" wooden posts with metal tags or rock monument

3. The bearings and distances in degrees and feet between claim corners and to a public land survey monument are as depicted on the map.

4. If the claim is a placer or millsite claim with exterior limits conforming to legal subdivisions of the public survey, provide a legal description of the claim \_\_\_\_\_

Form MCF100a  
Revised July 2014

This form is available from the **Arizona Geology Survey** and may be reproduced.

AMC448227

Gold Road Mining Corp.  
Suite 450, 1090 West Georgia Street  
Vancouver, BC V6E 3V7 Canada

**LOCATION NOTICE FOR LODE MINING CLAIM**

Amendment BLM Serial # \_\_\_\_\_

NOTICE IS HEREBY GIVEN that the GRMC 32  
\_\_\_\_\_ lode mining claim has been located  
by Gold Road Mining Corp. whose current mailing  
address is Suite 450, 1090 West Georgia Street  
Vancouver, BC V6E 3V7 Canada

RECEIVED  
BLM STATE OFFICE  
2017 DEC 20 A 10:53  
PHOENIX, ARIZONA  
BLM  
Date  
Stamp

The general course of this claim is Northwest-Southeast and it is situated in Mohave  
County, Arizona. This claim is 1500 feet in length and 600 feet in width.

20 Total Claim Acreage. This claim runs from the location monument on which this location notice  
is posted on the centerline of the claim approximately 20 feet in a SE direction to the SE  
end line and 1480 feet in a NW direction to the NW end line. This claim is marked by six  
monuments, one at each corner and one at the center of each end line of the claim.

The location monument on which this notice is posted is situated within Section 13, Township 19  
N, Range 20 W, Gila Salt River Base and Meridian, Arizona and this claim encompasses portions  
of the following quarter section(s), section(s), Township(s) and Range(s) \_\_\_\_\_  
NW1/4, SW1/4 SE1/4 Sec.13 T19N R20W

Gila Salt River Base and Meridian, Arizona.

The locality of this claim with reference to some natural object or permanent monument and additional information  
(if any) concerning its locality are as follows: \_\_\_\_\_

4,255'W 2,929'S from NE corner Sec.13 T19N R20W to NW claim corner

\_\_\_\_\_ The above information is shown on the attached map.

DATED AND POSTED on the ground this 18 day of October, 2017.

LOCATOR(s)  AGENT

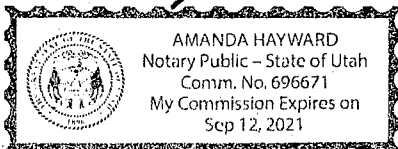
Print Name(s) Stuart Burgess

Signature(s) \_\_\_\_\_

State of Utah  
County of Salt Lake

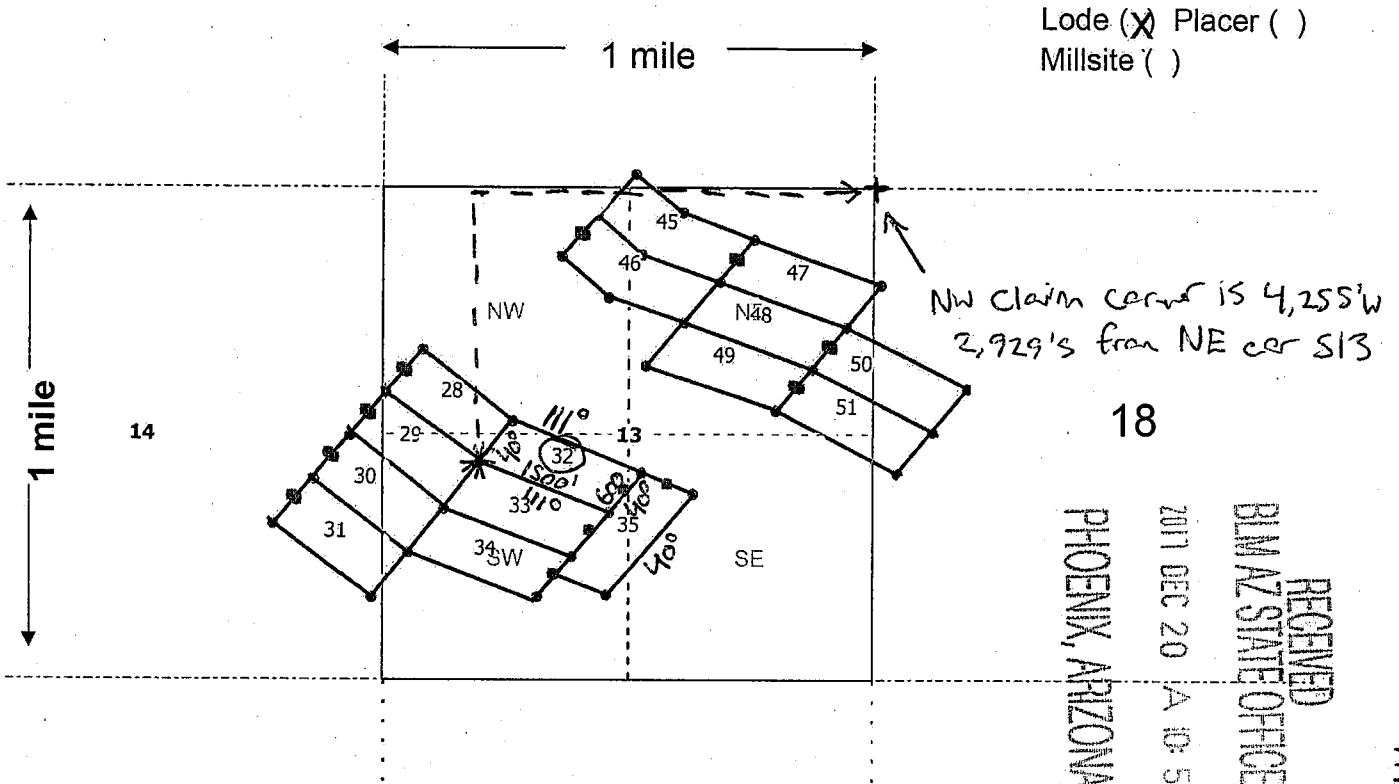
This instrument was signed and sworn to before me  
on 12/2/17 by Stuart Burgess  
(Name of signer)

AH  
(Notary Signature)  
[Affix seal/stamp to the left or below]



AMC 448227

**MINING CLAIM MAP**



Scale: 1" = 2000 feet



1. The above map depicts the GRMC 32 mining claim, which is located in Section (s) 13, Township 19 N, Range 20 W, Gila and Salt River Base and Meridian, Mohave County, Arizona. Total claim acreage is 20

2. The type of corner and location monuments used are as follows: 2"X2"X50" wooden posts with metal tags or rock monument

3. The bearings and distances in degrees and feet between claim corners and to a public land survey monument are as depicted on the map.

4. If the claim is a placer or millsite claim with exterior limits conforming to legal subdivisions of the public survey, provide a legal description of the claim \_\_\_\_\_

Form MCF100a  
Revised July 2014

This form is available from the Arizona Geology Survey and may be reproduced.

AMC 4482271

2E

Gold Road Mining Corp.  
Suite 450, 1090 West Georgia Street  
Vancouver, BC V6E 3V7 Canada

**FEE# 2017062216**

OFFICIAL RECORDS  
OF MOHAVE COUNTY  
KRISTI BLAIR,  
COUNTY RECORDER



12/26/2017 02:27 PM Fee: \$10.00

PAGE: 1 of 2

WHEN RECORDED MAIL TO (MC):

FENNEMORE CRAIG  
2394 EAST CAMELBACK RD  
SUITE 600  
PHOENIX AZ 85016

**LOCATION NOTICE FOR LODE MINING CLAIM**

Amendment BLM Serial # \_\_\_\_\_

NOTICE IS HEREBY GIVEN that the GRMC 33  
\_\_\_\_\_ lode mining claim has been located  
by Gold Road Mining Corp. whose current mailing  
address is Suite 450, 1090 West Georgia Street  
Vancouver, BC V6E 3V7 Canada

BLM  
Date  
Stamp  
PHOENIX, ARIZONA  
2017 DEC 20 A 10:53  
RECEIVED  
BLM AZ STATE OFFICE

The general course of this claim is Northwest-Southeast and it is situated in Mohave  
County, Arizona. This claim is 1500 feet in length and 600 feet in width.

20 Total Claim Acreage. This claim runs from the location monument on which this location notice  
is posted on the centerline of the claim approximately 20 feet in a SE direction to the SE  
end line and 1480 feet in a NW direction to the NW end line. This claim is marked by six  
monuments, one at each corner and one at the center of each end line of the claim.

The location monument on which this notice is posted is situated within Section 13, Township 19  
N, Range 20 W, Gila Salt River Base and Meridian, Arizona and this claim encompasses portions  
of the following quarter section(s), section(s), Township(s) and Range(s) \_\_\_\_\_  
SW1/4 Sec.13 T19N R20W

Gila Salt River Base and Meridian, Arizona.

The locality of this claim with reference to some natural object or permanent monument and additional information  
(if any) concerning its locality are as follows: \_\_\_\_\_

4,644'W 3,434'S from NE corner Sec.13 T19N R20W to NW claim corner

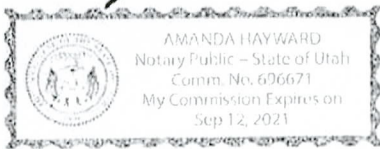
\_\_\_\_\_ The above information is shown on the attached map.

DATED AND POSTED on the ground this 17 day of October, 2017.

LOCATOR(s)  AGENT

Print Name(s) Stuart Burgess

Signature(s) \_\_\_\_\_



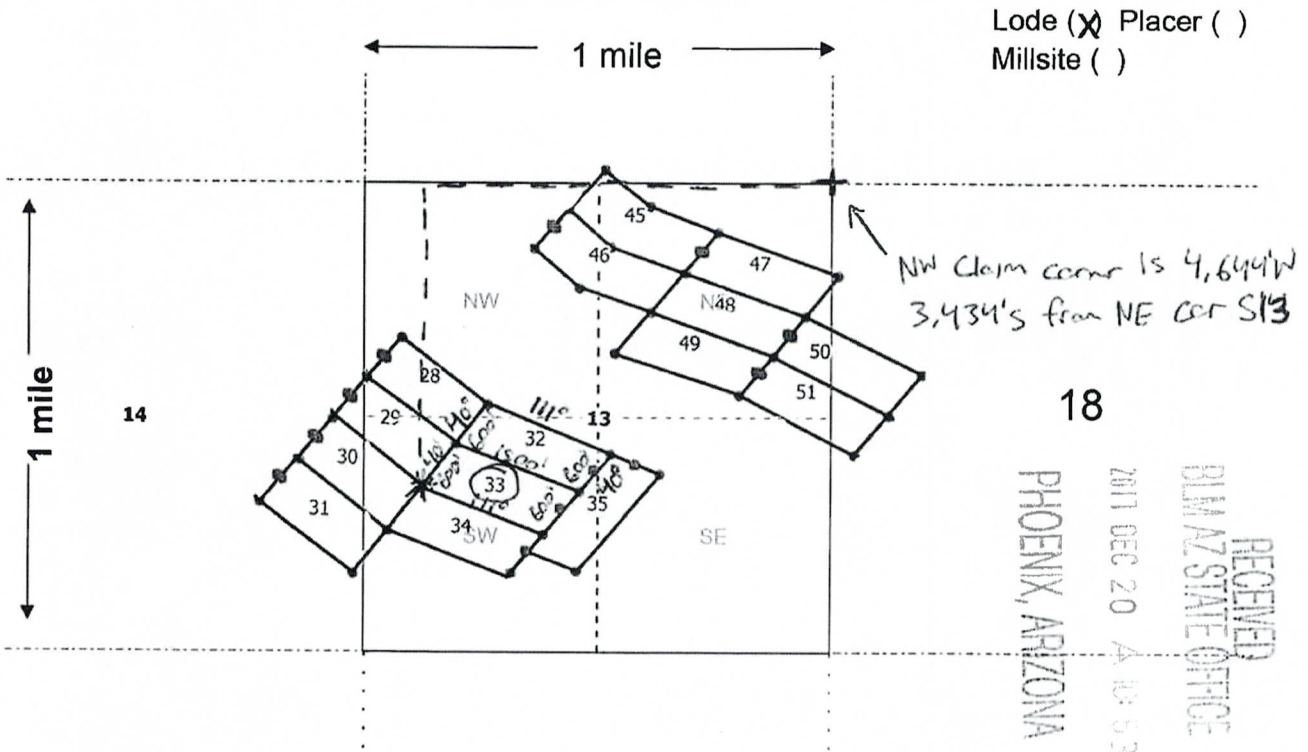
State of Utah  
County of Salt Lake

This instrument was signed and sworn to before me  
on 12/2/17 by Stuart Burgess  
(Name of signer)

AntH  
(Notary Signature)  
[Affix seal/stamp to the left or below]

AMC448228

**MINING CLAIM MAP**



Scale: 1" = 2000 feet



1. The above map depicts the GRMC 33 mining claim, which is located in Section (s) 13, Township 19 N, Range 20 W, Gila and Salt River Base and Meridian, Mohave County, Arizona. Total claim acreage is 20

2. The type of corner and location monuments used are as follows: 2"X2"X50" wooden posts with metal tags or rock monument

3. The bearings and distances in degrees and feet between claim corners and to a public land survey monument are as depicted on the map.

4. If the claim is a placer or millsite claim with exterior limits conforming to legal subdivisions of the public survey, provide a legal description of the claim \_\_\_\_\_

Form MCF100a  
Revised July 2014

This form is available from the Arizona Geology Survey and may be reproduced.

AMC 448228

Gold Road Mining Corp.  
Suite 450, 1090 West Georgia Street  
Vancouver, BC V6E 3V7 Canada

**LOCATION NOTICE FOR LODE MINING CLAIM**

Amendment BLM Serial # \_\_\_\_\_

NOTICE IS HEREBY GIVEN that the GRMC 33  
\_\_\_\_\_ lode mining claim has been located  
by Gold Road Mining Corp. whose current mailing  
address is Suite 450, 1090 West Georgia Street  
Vancouver, BC V6E 3V7 Canada

BLM  
Date  
Stamp

RECEIVED  
BLM STATE OFFICE  
PHOENIX, ARIZONA  
2017 DEC 20 A 10:53

The general course of this claim is Northwest-Southeast and it is situated in Mohave  
County, Arizona. This claim is 1500 feet in length and 600 feet in width.

20 Total Claim Acreage. This claim runs from the location monument on which this location notice  
is posted on the centerline of the claim approximately 20 feet in a SE direction to the SE  
end line and 1480 feet in a NW direction to the NW end line. This claim is marked by six  
monuments, one at each corner and one at the center of each end line of the claim.

The location monument on which this notice is posted is situated within Section 13, Township 19  
N, Range 20 W, Gila Salt River Base and Meridian, Arizona and this claim encompasses portions  
of the following quarter section(s), section(s), Township(s) and Range(s) \_\_\_\_\_  
SW1/4 Sec.13 T19N R20W

Gila Salt River Base and Meridian, Arizona.

The locality of this claim with reference to some natural object or permanent monument and additional information  
(if any) concerning its locality are as follows: \_\_\_\_\_

4,644'W 3,434'S from NE corner Sec.13 T19N R20W to NW claim corner

\_\_\_\_\_ The above information is shown on the attached map.

DATED AND POSTED on the ground this 17 day of October, 20 17.

LOCATOR(s)  AGENT

Print Name(s) Stuart Burgess

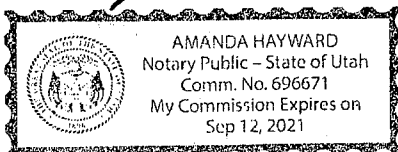
Signature(s) \_\_\_\_\_

State of Utah  
County of Salt Lake

This instrument was signed and sworn to before me  
on 12/2/17 by Stuart Burgess  
(Name of signer)

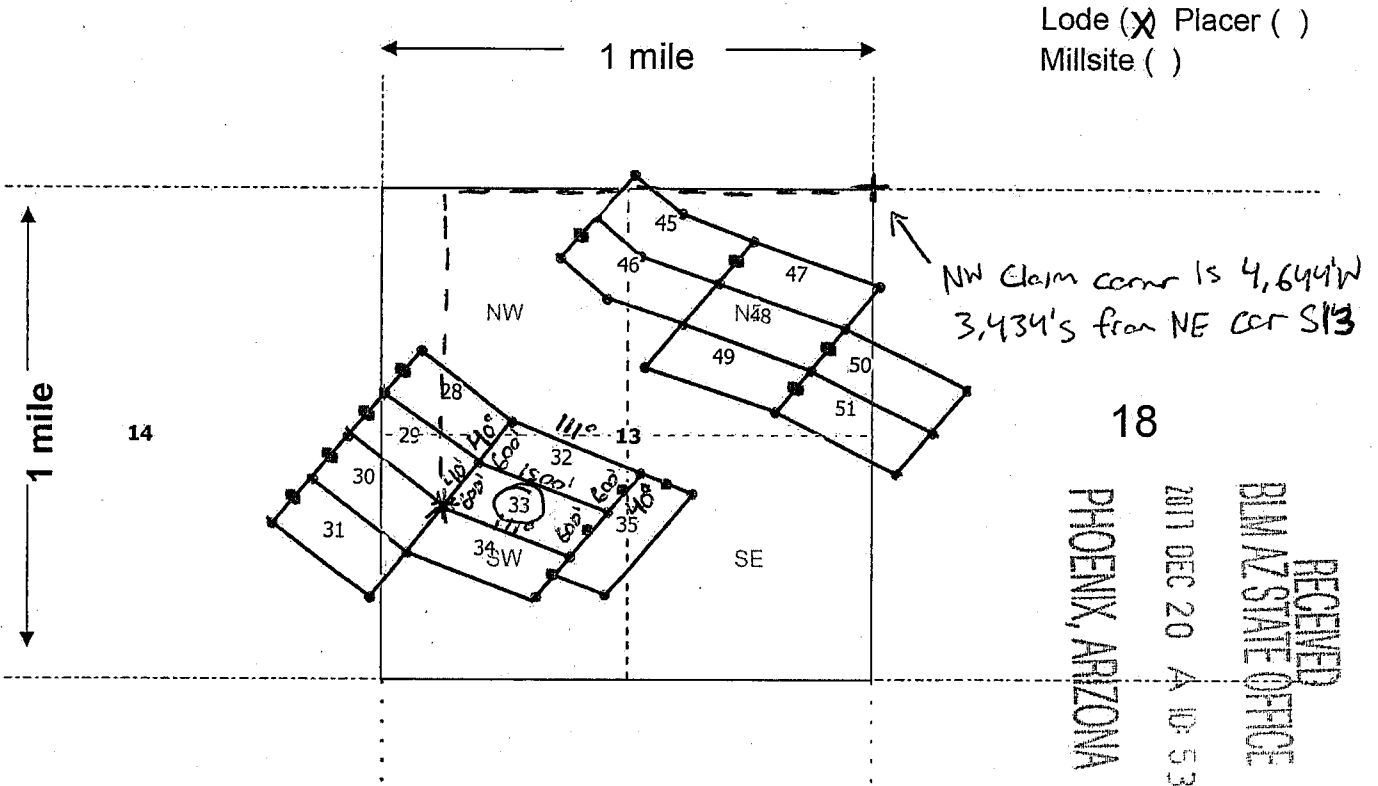
ANT

(Notary Signature)  
[Affix seal/stamp to the left or below]



AMC 448228

**MINING CLAIM MAP**



Scale: 1" = 2000 feet



1. The above map depicts the GRMC 33 mining claim, which is located in Section (s) 13, Township 19 N, Range 20 W, Gila and Salt River Base and Meridian, Mohave County, Arizona. Total claim acreage is 20

2. The type of corner and location monuments used are as follows: 2"X2"X50" wooden posts with metal tags or rock monument

3. The bearings and distances in degrees and feet between claim corners and to a public land survey monument are as depicted on the map.

4. If the claim is a placer or millsite claim with exterior limits conforming to legal subdivisions of the public survey, provide a legal description of the claim \_\_\_\_\_

Form MCF100a  
Revised July 2014

This form is available from the Arizona Geology Survey and may be reproduced.

AMC448228



2E

Gold Road Mining Corp.  
Suite 450, 1090 West Georgia Street  
Vancouver, BC V6E 3V7 Canada

**FEE# 2017062217**

OFFICIAL RECORDS  
OF MOHAVE COUNTY  
KRISTI BLAIR,  
COUNTY RECORDER



12/26/2017 02:27 PM Fee: \$10.00

PAGE: 1 of 2

WHEN RECORDED MAIL TO (MC):

FENNEMORE CRAIG  
2394 EAST CAMELBACK RD  
SUITE 600  
PHOENIX AZ 85016

**LOCATION NOTICE FOR LODE MINING CLAIM**

Amendment BLM Serial # \_\_\_\_\_

NOTICE IS HEREBY GIVEN that the GRMC 34  
\_\_\_\_\_ lode mining claim has been located  
by Gold Road Mining Corp. whose current mailing  
address is Suite 450, 1090 West Georgia Street  
Vancouver, BC V6E 3V7 Canada

BLM  
Date  
Stamp

RECEIVED  
BLM AZ STATE OFFICE  
PHOENIX, ARIZONA  
2017 DEC 20 A 10:53

The general course of this claim is Northwest-Southeast and it is situated in Mohave  
County, Arizona. This claim is 1500 feet in length and 600 feet in width.

20 Total Claim Acreage. This claim runs from the location monument on which this location notice  
is posted on the centerline of the claim approximately 20 feet in a SE direction to the SE  
end line and 1480 feet in a NW direction to the NW end line. This claim is marked by six  
monuments, one at each corner and one at the center of each end line of the claim.

The location monument on which this notice is posted is situated within Section 13, Township 19  
N, Range 20 W, Gila Salt River Base and Meridian, Arizona and this claim encompasses portions  
of the following quarter section(s), section(s), Township(s) and Range(s) \_\_\_\_\_  
SW1/4 Sec.13 T19N R20W

Gila Salt River Base and Meridian, Arizona.

The locality of this claim with reference to some natural object or permanent monument and additional information  
(if any) concerning its locality are as follows: \_\_\_\_\_  
5,029'W 3,914'S from NE corner Sec.13 T19N R20W to NW claim corner

\_\_\_\_\_ The above information is shown on the attached map.

DATED AND POSTED on the ground this 17 day of October, 2017.

LOCATOR(s)  AGENT

Print Name(s) Stuart Burgess

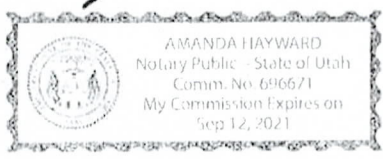
Signature(s) \_\_\_\_\_

State of Utah  
County of Salt Lake

This instrument was signed and sworn to before me  
on 12/2/17 by Stuart Burgess  
(Name of signer)

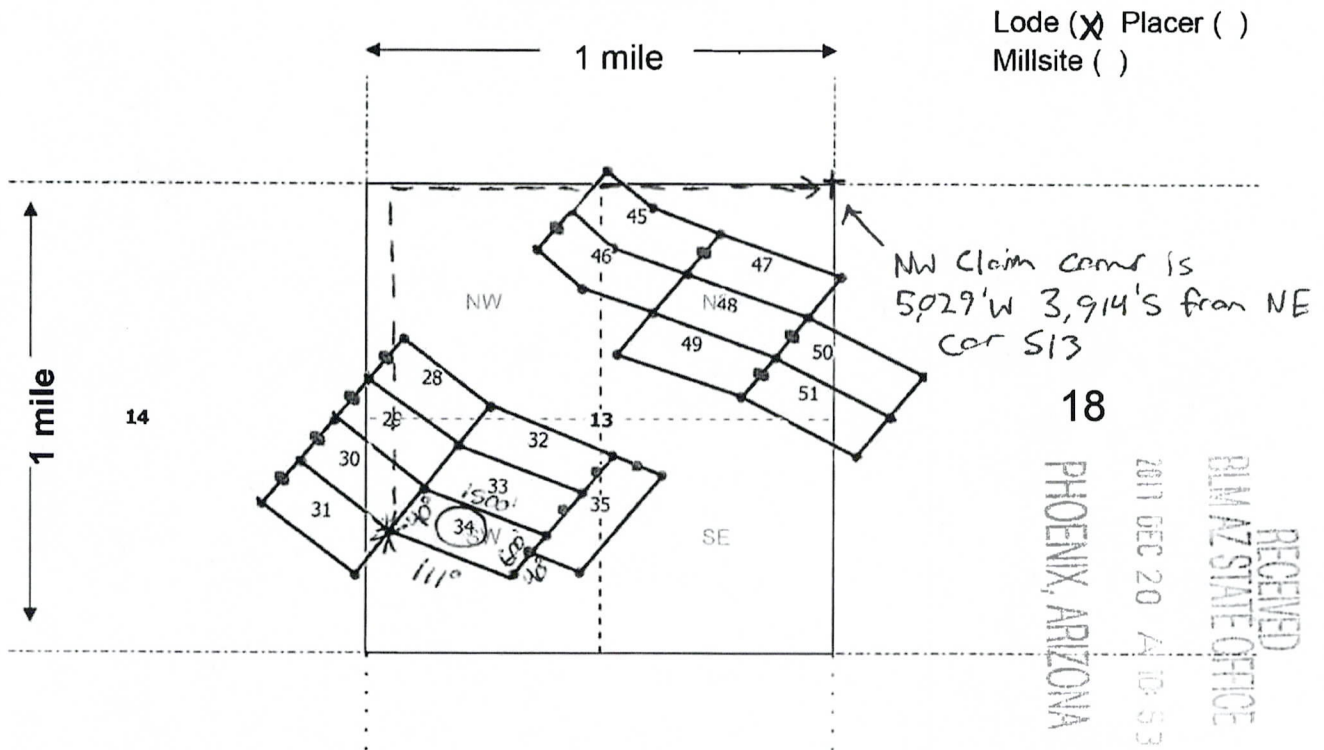
[Signature]  
(Notary Signature)

[Affix seal/stamp to the left or below]



AMC448229

**MINING CLAIM MAP**



Scale: 1" = 2000 feet



1. The above map depicts the GRMC 34 mining claim, which is located in Section (s) 13, Township 19 N, Range 20 W, Gila and Salt River Base and Meridian, Mohave County, Arizona. Total claim acreage is 20

2. The type of corner and location monuments used are as follows: 2"X2"X50" wooden posts with metal tags or rock monument

3. The bearings and distances in degrees and feet between claim corners and to a public land survey monument are as depicted on the map.

4. If the claim is a placer or millsite claim with exterior limits conforming to legal subdivisions of the public survey, provide a legal description of the claim \_\_\_\_\_

Form MCF100a  
Revised July 2014

This form is available from the **Arizona Geology Survey** and may be reproduced.

RECEIVED  
 BLM AZ STATE OFFICE  
 PHOENIX, ARIZONA  
 2017 DEC 20 AID: 53

AMC 448229

Gold Road Mining Corp.  
Suite 450, 1090 West Georgia Street  
Vancouver, BC V6E 3V7 Canada

**LOCATION NOTICE FOR LODE MINING CLAIM**

Amendment BLM Serial # \_\_\_\_\_

NOTICE IS HEREBY GIVEN that the GRMC 34  
\_\_\_\_\_ lode mining claim has been located  
by Gold Road Mining Corp. whose current mailing  
address is Suite 450, 1090 West Georgia Street  
Vancouver, BC V6E 3V7 Canada

RECEIVED  
BLM STATE OFFICE  
PHOENIX, ARIZONA  
2017 DEC 20 A 10:53  
BLM  
Date  
Stamp

The general course of this claim is Northwest-Southeast and it is situated in Mohave  
County, Arizona. This claim is 1500 feet in length and 600 feet in width.

20 Total Claim Acreage. This claim runs from the location monument on which this location notice  
is posted on the centerline of the claim approximately 20 feet in a SE direction to the SE  
end line and 1480 feet in a NW direction to the NW end line. This claim is marked by six  
monuments, one at each corner and one at the center of each end line of the claim.

The location monument on which this notice is posted is situated within Section 13, Township 19  
N, Range 20 W, Gila Salt River Base and Meridian, Arizona and this claim encompasses portions  
of the following quarter section(s), section(s), Township(s) and Range(s) \_\_\_\_\_  
SW1/4 Sec.13 T19N R20W

Gila Salt River Base and Meridian, Arizona.

The locality of this claim with reference to some natural object or permanent monument and additional information  
(if any) concerning its locality are as follows: \_\_\_\_\_

5,029'W 3,914'S from NE corner Sec.13 T19N R20W to NW claim corner

\_\_\_\_\_ The above information is shown on the attached map.

DATED AND POSTED on the ground this 17 day of October, 2017.

LOCATOR(s)  AGENT

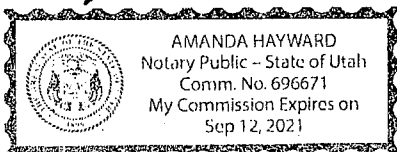
Print Name(s) Stuart Burgess

Signature(s) \_\_\_\_\_

State of Utah  
County of Salt Lake

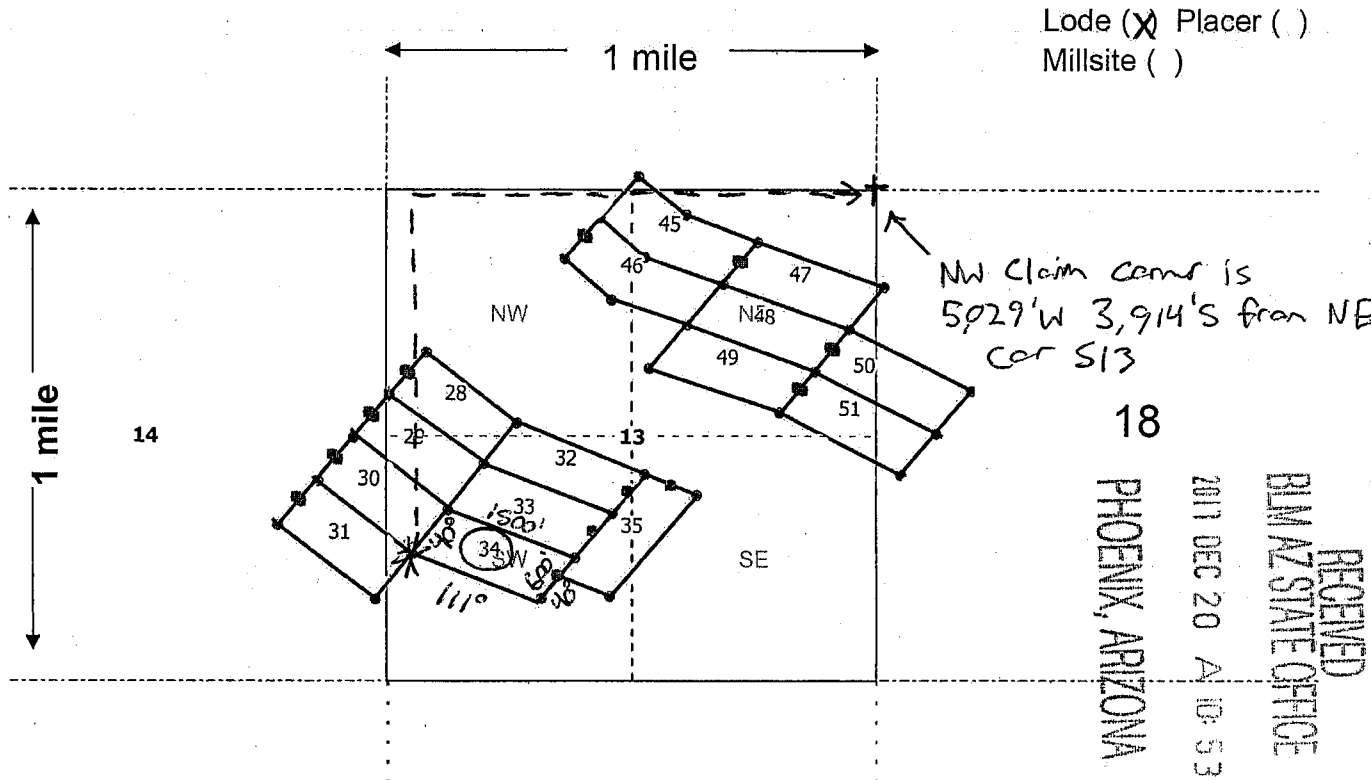
This instrument was signed and sworn to before me  
on 12/2/17 by Stuart Burgess  
(Name of signer)

[Signature]  
(Notary Signature)  
[Affix seal/stamp to the left or below]



AMC448229

**MINING CLAIM MAP**



Lode (X) Placer ( )  
Millsite ( )

NW Claim corner is  
5929' W 3,914' S from NE  
cor S13

18  
PHOENIX, ARIZONA  
2017 DEC 20 A 10:53  
RECEIVED  
BIA AZ STATE OFFICE

Scale: 1" = 2000 feet



1. The above map depicts the GRMC 34 mining claim, which is located in Section (s) 13, Township 19 N, Range 20 W, Gila and Salt River Base and Meridian, Mohave County, Arizona. Total claim acreage is 20
2. The type of corner and location monuments used are as follows: 2"X2"X50" wooden posts with metal tags or rock monument
3. The bearings and distances in degrees and feet between claim corners and to a public land survey monument are as depicted on the map.
4. If the claim is a placer or millsite claim with exterior limits conforming to legal subdivisions of the public survey, provide a legal description of the claim \_\_\_\_\_

Form MCF100a  
Revised July 2014

This form is available from the Arizona Geology Survey and may be reproduced.

AMC 448229

2E

Gold Road Mining Corp.  
Suite 450, 1090 West Georgia Street  
Vancouver, BC V6E 3V7 Canada

**FEE# 2017062218**

OFFICIAL RECORDS  
OF MOHAVE COUNTY  
KRISTI BLAIR,  
COUNTY RECORDER



12/26/2017 02:27 PM Fee: \$10.00

PAGE: 1 of 2

WHEN RECORDED MAIL TO (MC):

FENNEMORE CRAIG  
2394 EAST CAMELBACK RD  
SUITE 600  
PHOENIX AZ 85016

**LOCATION NOTICE FOR LODE MINING CLAIM**

Amendment BLM Serial # \_\_\_\_\_

NOTICE IS HEREBY GIVEN that the GRMC 35  
\_\_\_\_\_ lode mining claim has been located  
by Gold Road Mining Corp. whose current mailing  
address is Suite 450, 1090 West Georgia Street  
Vancouver, BC V6E 3V7 Canada

BLM  
Date  
Stamp  
2017 DEC 20 A 10:55  
PHOENIX, ARIZONA

RECEIVED  
BLM AZ STATE OFFICE

The general course of this claim is Northwest-Southeast and it is situated in Mohave  
County, Arizona. This claim is 1500 feet in length and 600 feet in width.

20 Total Claim Acreage. This claim runs from the location monument on which this location notice  
is posted on the centerline of the claim approximately 20 feet in a NE direction to the NE  
end line and 1480 feet in a SW direction to the SW end line. This claim is marked by six  
monuments, one at each corner and one at the center of each end line of the claim.

The location monument on which this notice is posted is situated within Section 13, Township 19  
N, Range 20 W, Gila Salt River Base and Meridian, Arizona and this claim encompasses portions  
of the following quarter section(s), section(s), Township(s) and Range(s) \_\_\_\_\_  
SW1/4, SE1/4 Sec.13 T19N R20W

Gila Salt River Base and Meridian, Arizona.

The locality of this claim with reference to some natural object or permanent monument and additional information  
(if any) concerning its locality are as follows: \_\_\_\_\_  
2,513'W 3,008'S from NE corner Sec.13 T19N R20W to NW claim corner

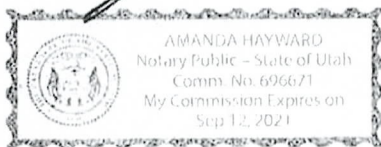
\_\_\_\_\_ The above information is shown on the attached map.

DATED AND POSTED on the ground this 18 day of October, 2017.

LOCATOR(s)  AGENT

Print Name(s) Stuart Burgess

Signature(s) \_\_\_\_\_



State of Utah  
County of Salt Lake

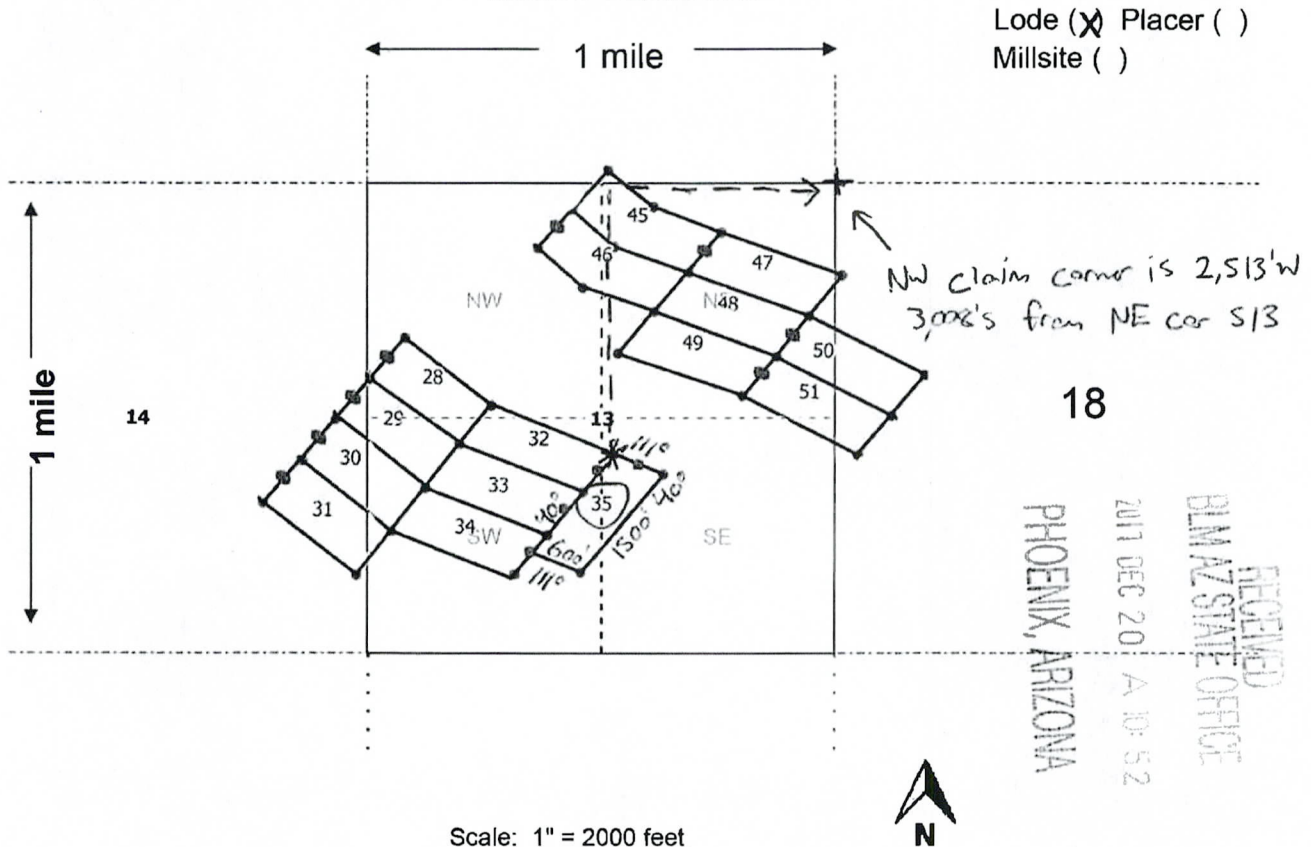
This instrument was signed and sworn to before me  
on 12/2/17 by Stuart Burgess  
(Name of signer)

AH  
(Notary Signature)

[Affix seal/stamp to the left or below]

AMC448230

**MINING CLAIM MAP**



Scale: 1" = 2000 feet

1. The above map depicts the GRMC 35 mining claim, which is located in Section (s) 13, Township 19 N, Range 20 W, Gila and Salt River Base and Meridian, Mohave County, Arizona. Total claim acreage is 20

2. The type of corner and location monuments used are as follows: 2"X2"X50" wooden posts with metal tags or rock monument

3. The bearings and distances in degrees and feet between claim corners and to a public land survey monument are as depicted on the map.

4. If the claim is a placer or millsite claim with exterior limits conforming to legal subdivisions of the public survey, provide a legal description of the claim \_\_\_\_\_

Form MCF100a  
Revised July 2014

This form is available from the Arizona Geology Survey and may be reproduced.

AMC 448230

Gold Road Mining Corp.  
Suite 450, 1090 West Georgia Street  
Vancouver, BC V6E 3V7 Canada

LOCATION NOTICE FOR LODE MINING CLAIM

Amendment BLM Serial # \_\_\_\_\_

NOTICE IS HEREBY GIVEN that the GRMC 35  
\_\_\_\_\_ lode mining claim has been located  
by Gold Road Mining Corp. whose current mailing  
address is Suite 450, 1090 West Georgia Street  
Vancouver, BC V6E 3V7 Canada

BLM  
Date  
Stamp  
2011 DEC 20 A 10:53  
PHOENIX, ARIZONA

RECEIVED  
BLM AZ STATE OFFICE

The general course of this claim is Northwest-Southeast and it is situated in Mohave  
County, Arizona. This claim is 1500 feet in length and 600 feet in width.

20 Total Claim Acreage. This claim runs from the location monument on which this location notice  
is posted on the centerline of the claim approximately 20 feet in a NE direction to the NE  
end line and 1480 feet in a SW direction to the SW end line. This claim is marked by six  
monuments, one at each corner and one at the center of each end line of the claim.

The location monument on which this notice is posted is situated within Section 13, Township 19  
N, Range 20 W, Gila Salt River Base and Meridian, Arizona and this claim encompasses portions  
of the following quarter section(s), section(s), Township(s) and Range(s) \_\_\_\_\_  
SW1/4, SE1/4 Sec.13 T19N R20W

Gila Salt River Base and Meridian, Arizona.

The locality of this claim with reference to some natural object or permanent monument and additional information  
(if any) concerning its locality are as follows: \_\_\_\_\_

2,513'W 3,008'S from NE corner Sec.13 T19N R20W to NW claim corner

\_\_\_\_\_ The above information is shown on the attached map.

DATED AND POSTED on the ground this 18 day of October, 20 17.

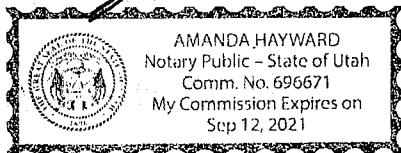
LOCATOR(s)  AGENT

Print Name(s) Stuart Burgess

Signature(s) \_\_\_\_\_

State of Utah  
County of Salt Lake

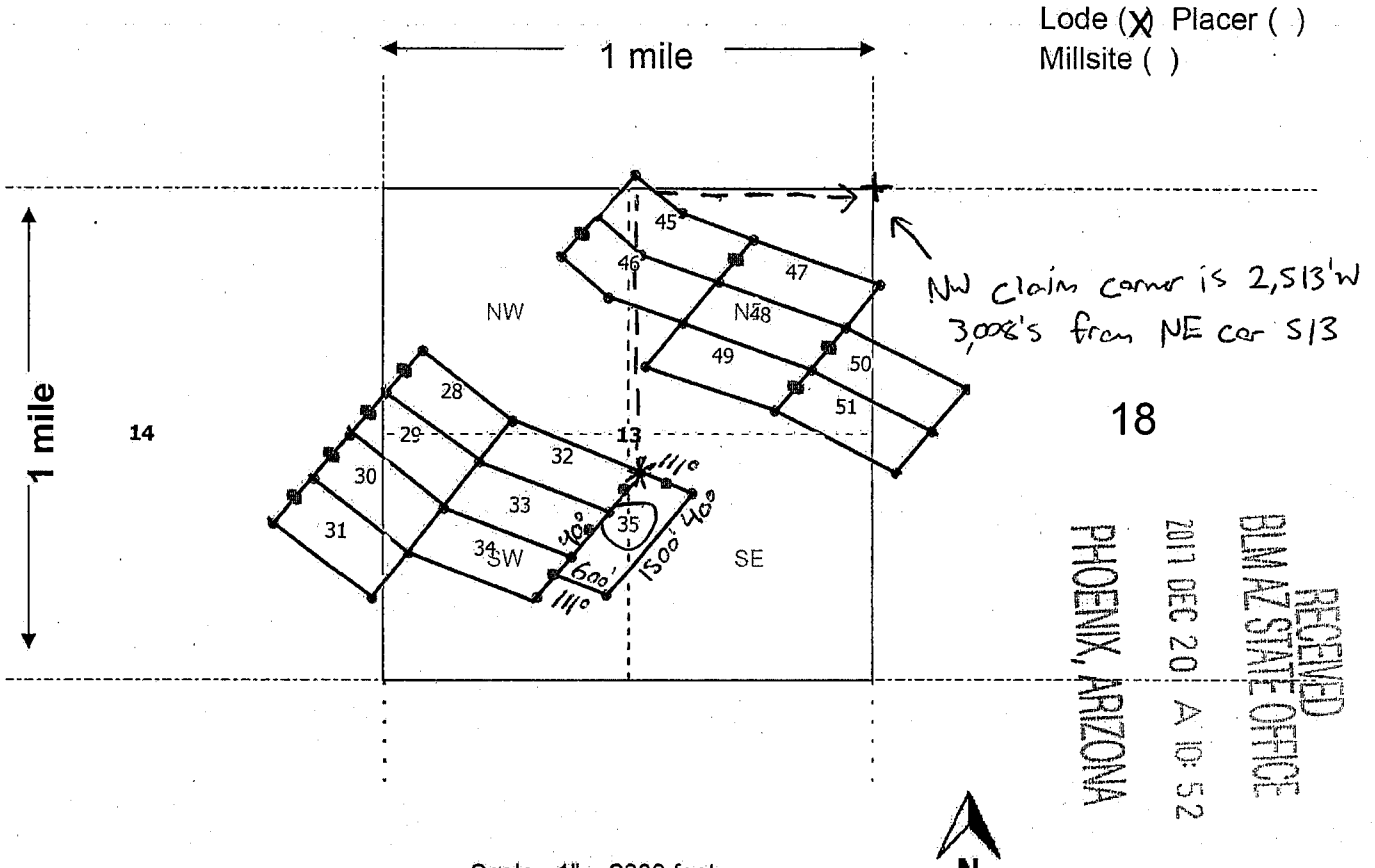
This instrument was signed and sworn to before me  
on 12/2/17 by Stuart Burgess  
(Name of signer)



AHW  
(Notary Signature)  
[Affix seal/stamp to the left or below]

AMC 448230

**MINING CLAIM MAP**



RECEIVED  
 BLM AZ STATE OFFICE  
 2017 DEC 20 A 10:52  
 PHOENIX, ARIZONA

Scale: 1" = 2000 feet

1. The above map depicts the GRMC 35 mining claim, which is located in Section (s) 13, Township 19 N, Range 20 W, Gila and Salt River Base and Meridian, Mohave County, Arizona. Total claim acreage is 20

2. The type of corner and location monuments used are as follows: 2"X2"X50" wooden posts with metal tags or rock monument

3. The bearings and distances in degrees and feet between claim corners and to a public land survey monument are as depicted on the map.

4. If the claim is a placer or millsite claim with exterior limits conforming to legal subdivisions of the public survey, provide a legal description of the claim \_\_\_\_\_

Form MCF100a  
 Revised July 2014

This form is available from the Arizona Geology Survey and may be reproduced.

AMC 448230



2E

Gold Road Mining Corp.  
Suite 450, 1090 West Georgia Street  
Vancouver, BC V6E 3V7 Canada

**FEE# 2017062219**

OFFICIAL RECORDS  
OF MOHAVE COUNTY  
KRISTI BLAIR,  
COUNTY RECORDER



12/26/2017 02:27 PM Fee: \$10.00

PAGE: 1 of 2

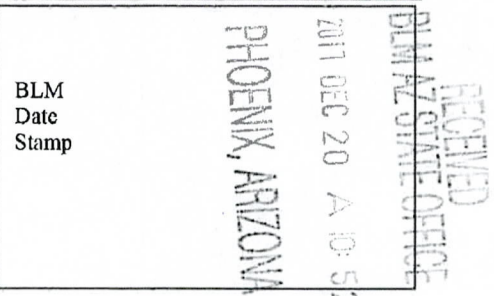
WHEN RECORDED MAIL TO (MC):

FENNEMORE CRAIG  
2394 EAST CAMELBACK RD  
SUITE 600  
PHOENIX AZ 85016

**LOCATION NOTICE FOR LODE MINING CLAIM**

Amendment BLM Serial # \_\_\_\_\_

NOTICE IS HEREBY GIVEN that the GRMC 36  
\_\_\_\_\_ lode mining claim has been located  
by Gold Road Mining Corp. whose current mailing  
address is Suite 450, 1090 West Georgia Street  
Vancouver, BC V6E 3V7 Canada



The general course of this claim is West-East and it is situated in Mohave  
County, Arizona. This claim is 1500 feet in length and 600 feet in width.

20 Total Claim Acreage. This claim runs from the location monument on which this location notice  
is posted on the centerline of the claim approximately 20 feet in a E direction to the E  
end line and 1480 feet in a W direction to the W end line. This claim is marked by six  
monuments, one at each corner and one at the center of each end line of the claim.

The location monument on which this notice is posted is situated within Section 18, Township 19  
N, Range 19 W, Gila Salt River Base and Meridian, Arizona and this claim encompasses portions  
of the following quarter section(s), section(s), Township(s) and Range(s) \_\_\_\_\_  
SW 1/4 Sec. 18 T19N R19W

Gila Salt River Base and Meridian, Arizona.

The locality of this claim with reference to some natural object or permanent monument and additional information  
(if any) concerning its locality are as follows: \_\_\_\_\_

0'E 1960'S from W1/2 Monument S18 T19N R19W to NW claim corner

\_\_\_\_\_ The above information is shown on the attached map.

DATED AND POSTED on the ground this 18 day of October, 2017.

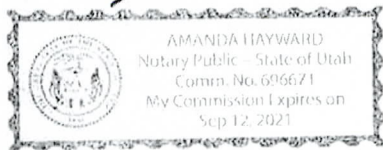
LOCATOR(s)  AGENT  
Print Name(s) Stuart Burgess  
Signature(s) \_\_\_\_\_

State of Utah  
County of Salt Lake

This instrument was signed and sworn to before me  
on 12/2/17 by Stuart Burgess  
(Name of signer)

AmH  
(Notary Signature)

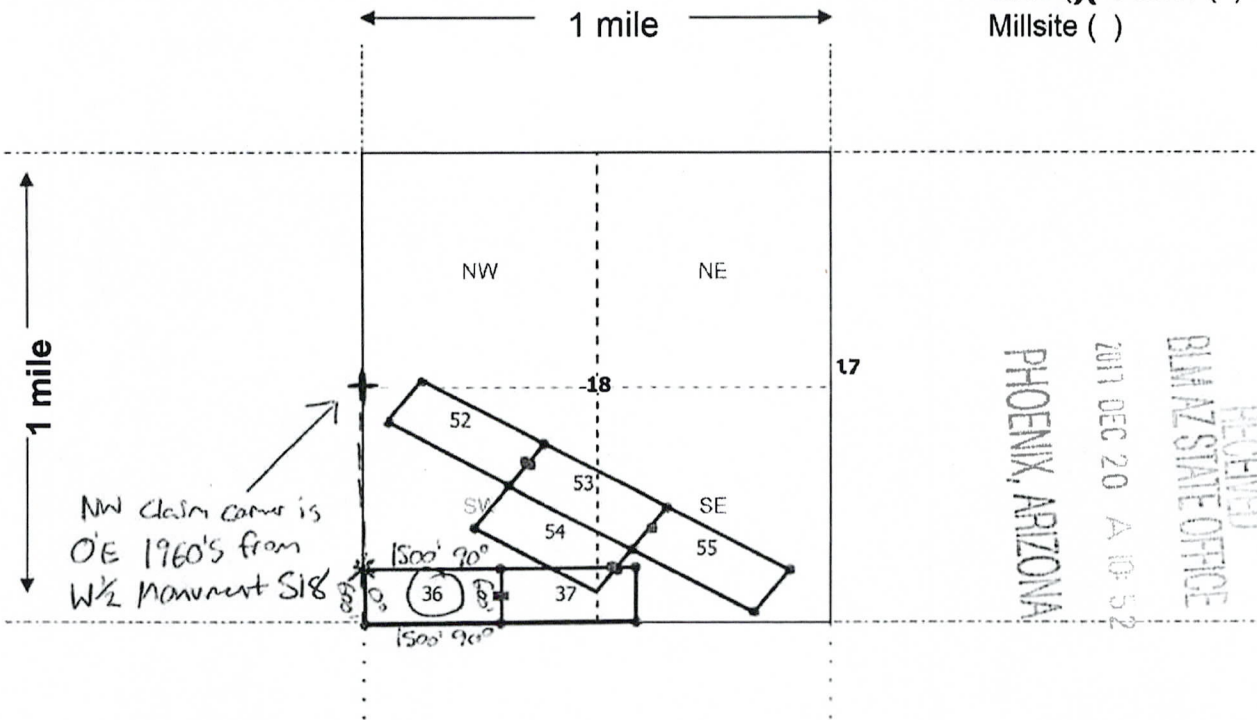
[Affix seal/stamp to the left or below]



AMC448231

**MINING CLAIM MAP**

Lode (X) Placer ( )  
Millsite ( )



RECEIVED  
 BLM AZ STATE OFFICE  
 2011 DEC 20 A 10:52  
 PHOENIX, ARIZONA

Scale: 1" = 2000 feet

1. The above map depicts the GRMC 36 mining claim, which is located in Section (s) 18, Township 19 N, Range 19 W, Gila and Salt River Base and Meridian, Mohave County, Arizona. Total claim acreage is 20

2. The type of corner and location monuments used are as follows: 2"X2"X50" wooden posts with metal tags or rock monument

3. The bearings and distances in degrees and feet between claim corners and to a public land survey monument are as depicted on the map.

4. If the claim is a placer or millsite claim with exterior limits conforming to legal subdivisions of the public survey, provide a legal description of the claim \_\_\_\_\_

Form MCF100a  
Revised July 2014

This form is available from the **Arizona Geology Survey** and may be reproduced.

AMC448231

Gold Road Mining Corp.  
Suite 450, 1090 West Georgia Street  
Vancouver, BC V6E 3V7 Canada

**LOCATION NOTICE FOR LODE MINING CLAIM**

Amendment BLM Serial # \_\_\_\_\_

NOTICE IS HEREBY GIVEN that the GRMC 36  
\_\_\_\_\_ lode mining claim has been located  
by Gold Road Mining Corp. whose current mailing  
address is Suite 450, 1090 West Georgia Street  
Vancouver, BC V6E 3V7 Canada

RECEIVED  
BLM AZ STATE OFFICE  
2017 DEC 20 A 10:52  
PHOENIX, ARIZONA  
BLM  
Date  
Stamp

The general course of this claim is West-East and it is situated in Mohave  
County, Arizona. This claim is 1500 feet in length and 600 feet in width.

20 Total Claim Acreage. This claim runs from the location monument on which this location notice  
is posted on the centerline of the claim approximately 20 feet in a E direction to the E  
end line and 1480 feet in a W direction to the W end line. This claim is marked by six  
monuments, one at each corner and one at the center of each end line of the claim.

The location monument on which this notice is posted is situated within Section 18, Township 19  
N, Range 19 W, Gila Salt River Base and Meridian, Arizona and this claim encompasses portions  
of the following quarter section(s), section(s), Township(s) and Range(s) \_\_\_\_\_  
SW 1/4 Sec.18 T19N R19W

Gila Salt River Base and Meridian, Arizona.

The locality of this claim with reference to some natural object or permanent monument and additional information  
(if any) concerning its locality are as follows: \_\_\_\_\_

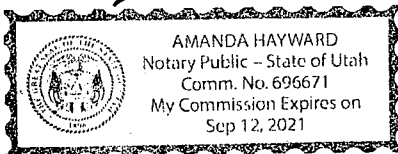
0'E 1960'S from W1/2 Monument S18 T19N R19W to NW claim corner  
\_\_\_\_\_ The above information is shown on the attached map.

DATED AND POSTED on the ground this 18 day of October, 20 17.

LOCATOR(s)  AGENT

Print Name(s) Stuart Burgess

Signature(s) \_\_\_\_\_



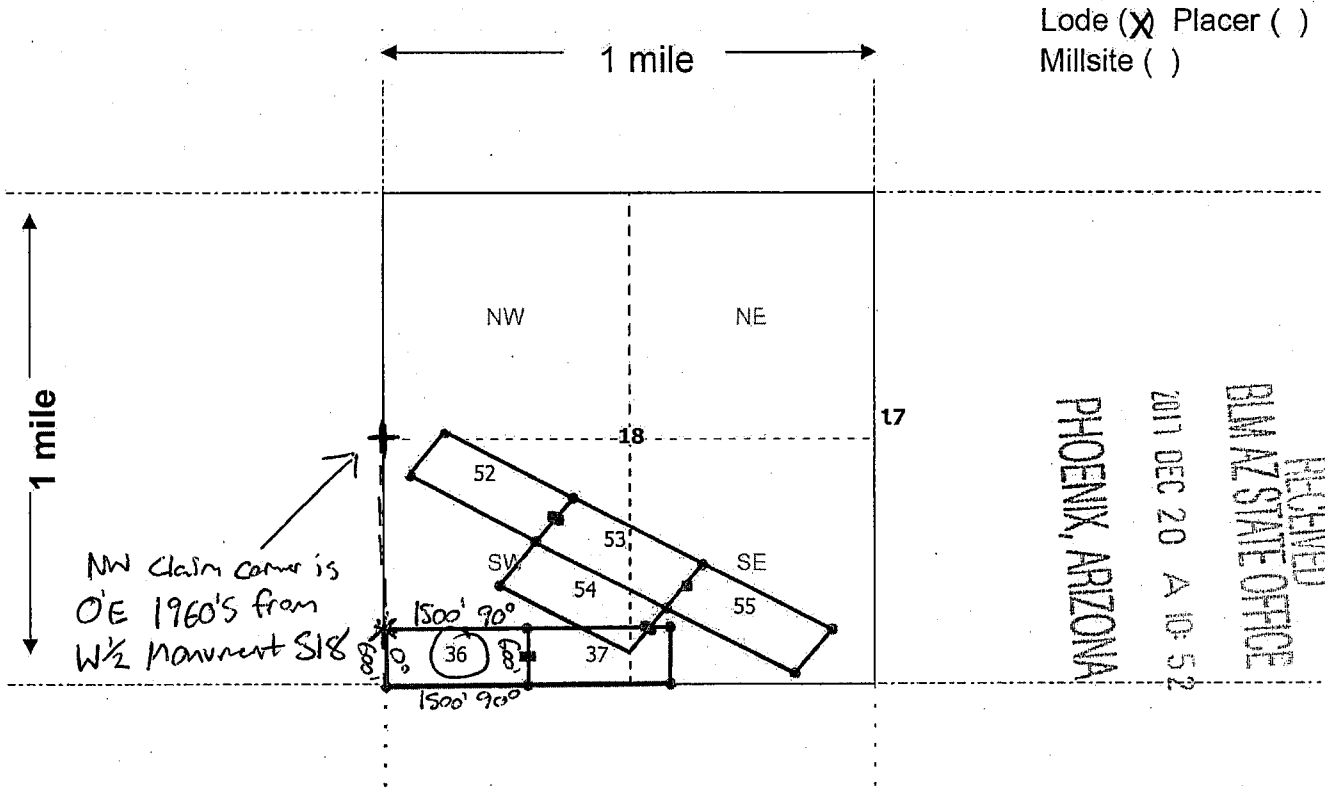
State of Utah  
County of Salt Lake

This instrument was signed and sworn to before me  
on 12/2/17 by Stuart Burgess  
(Name of signer)

AmH  
(Notary Signature)  
[Affix seal/stamp to the left or below]

AMC 448231

**MINING CLAIM MAP**



Scale: 1" = 2000 feet



1. The above map depicts the GRMC 36 mining claim, which is located in Section (s) 18, Township 19 N, Range 19 W, Gila and Salt River Base and Meridian, Mohave County, Arizona. Total claim acreage is 20

2. The type of corner and location monuments used are as follows: 2"X2"X50" wooden posts with metal tags or rock monument

3. The bearings and distances in degrees and feet between claim corners and to a public land survey monument are as depicted on the map.

4. If the claim is a placer or millsite claim with exterior limits conforming to legal subdivisions of the public survey, provide a legal description of the claim \_\_\_\_\_

Form MCF100a  
Revised July 2014

This form is available from the Arizona Geology Survey and may be reproduced.

AHC448231

2E  
Gold Road Mining Corp.  
Suite 450, 1090 West Georgia Street  
Vancouver, BC V6E 3V7 Canada

**FEE# 2017062220**

OFFICIAL RECORDS  
OF MOHAVE COUNTY  
KRISTI BLAIR,  
COUNTY RECORDER



12/26/2017 02:27 PM Fee: \$10.00

PAGE: 1 of 2

WHEN RECORDED MAIL TO (MC):

FENNEMORE CRAIG  
2394 EAST CAMELBACK RD  
SUITE 600  
PHOENIX AZ 85016

**LOCATION NOTICE FOR LODE MINING CLAIM**

Amendment BLM Serial # \_\_\_\_\_

NOTICE IS HEREBY GIVEN that the GRMC 37  
\_\_\_\_\_ lode mining claim has been located  
by Gold Road Mining Corp. whose current mailing  
address is Suite 450, 1090 West Georgia Street  
Vancouver, BC V6E 3V7 Canada

RECEIVED  
BLM AZ STATE OFFICE  
PHOENIX, ARIZONA  
DEC 20 A 10:52  
BLM  
Date  
Stamp

The general course of this claim is West-East and it is situated in Mohave  
County, Arizona. This claim is 1500 feet in length and 600 feet in width.

20 Total Claim Acreage. This claim runs from the location monument on which this location notice  
is posted on the centerline of the claim approximately 20 feet in a E direction to the E  
end line and 1480 feet in a W direction to the W end line. This claim is marked by six  
monuments, one at each corner and one at the center of each end line of the claim.

The location monument on which this notice is posted is situated within Section 18, Township 19  
N, Range 19 W, Gila Salt River Base and Meridian, Arizona and this claim encompasses portions  
of the following quarter section(s), section(s), Township(s) and Range(s) \_\_\_\_\_  
SW 1/4, SE1/4 Sec.18 T19N R19W

Gila Salt River Base and Meridian, Arizona.

The locality of this claim with reference to some natural object or permanent monument and additional information  
(if any) concerning its locality are as follows: \_\_\_\_\_

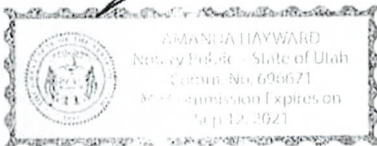
1,500'E 1,960'S from W1/2 Monument Sec.18 T19N R19W to NW claim corner  
\_\_\_\_\_ The above information is shown on the attached map.

DATED AND POSTED on the ground this 18 day of October, 2017.

LOCATOR(s)  AGENT

Print Name(s) Stuart Burgess

Signature(s) \_\_\_\_\_



State of Utah  
County of Salt Lake

This instrument was signed and sworn to before me  
on 12/2/17 by Stuart Burgess  
(Name of signer)

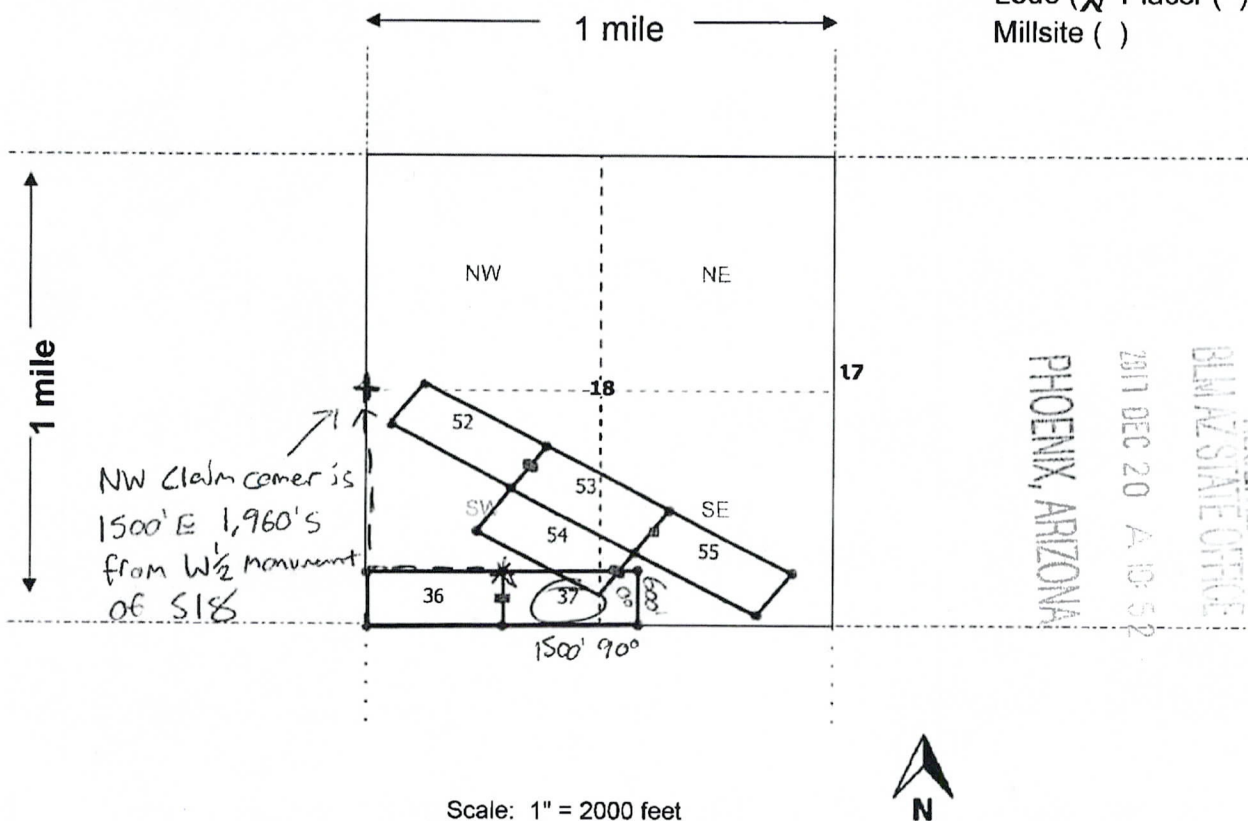
AH  
(Notary Signature)

[Affix seal/stamp to the left or below]

AMC 448232

**MINING CLAIM MAP**

Lode (X) Placer ( )  
Millsite ( )



RECEIVED  
 BLM/AZ STATE OFFICE  
 PHOENIX, ARIZONA  
 2011 DEC 20 A 10:52

Scale: 1" = 2000 feet

1. The above map depicts the GRMC 37 mining claim, which is located in Section (s) 18, Township 19 N, Range 19 W, Gila and Salt River Base and Meridian, Mohave County, Arizona. Total claim acreage is 20

2. The type of corner and location monuments used are as follows: 2"X2"X50" wooden posts with metal tags or rock monument

3. The bearings and distances in degrees and feet between claim corners and to a public land survey monument are as depicted on the map.

4. If the claim is a placer or millsite claim with exterior limits conforming to legal subdivisions of the public survey, provide a legal description of the claim \_\_\_\_\_

AMC 448232

Form MCF100a  
Revised July 2014

Gold Road Mining Corp.  
Suite 450, 1090 West Georgia Street  
Vancouver, BC V6E 3V7 Canada

LOCATION NOTICE FOR LODE MINING CLAIM

Amendment BLM Serial # \_\_\_\_\_

NOTICE IS HEREBY GIVEN that the GRMC 37  
\_\_\_\_\_ lode mining claim has been located  
by Gold Road Mining Corp. whose current mailing  
address is Suite 450, 1090 West Georgia Street  
Vancouver, BC V6E 3V7 Canada

BLM  
Date  
Stamp  
PHOENIX, ARIZONA  
DEC 20 A 10:52  
BLM STATE OFFICE

RECEIVED  
BLM STATE OFFICE

The general course of this claim is West-East and it is situated in Mohave  
County, Arizona. This claim is 1500 feet in length and 600 feet in width.

20 Total Claim Acreage. This claim runs from the location monument on which this location notice  
is posted on the centerline of the claim approximately 20 feet in a E direction to the E  
end line and 1480 feet in a W direction to the W end line. This claim is marked by six  
monuments, one at each corner and one at the center of each end line of the claim.

The location monument on which this notice is posted is situated within Section 18, Township 19  
N, Range 19 W, Gila Salt River Base and Meridian, Arizona and this claim encompasses portions  
of the following quarter section(s), section(s), Township(s) and Range(s) \_\_\_\_\_  
SW 1/4, SE1/4 Sec.18 T19N R19W

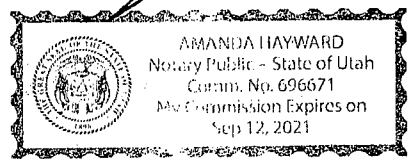
Gila Salt River Base and Meridian, Arizona.

The locality of this claim with reference to some natural object or permanent monument and additional information  
(if any) concerning its locality are as follows: \_\_\_\_\_

1,500'E 1,960'S from W1/2 Monument Sec.18 T19N R19W to NW claim corner  
\_\_\_\_\_ The above information is shown on the attached map.

DATED AND POSTED on the ground this 18 day of October, 2017.

LOCATOR(s)  AGENT  
Print Name(s) Stuart Burgess  
Signature(s) \_\_\_\_\_



State of Utah  
County of Salt Lake

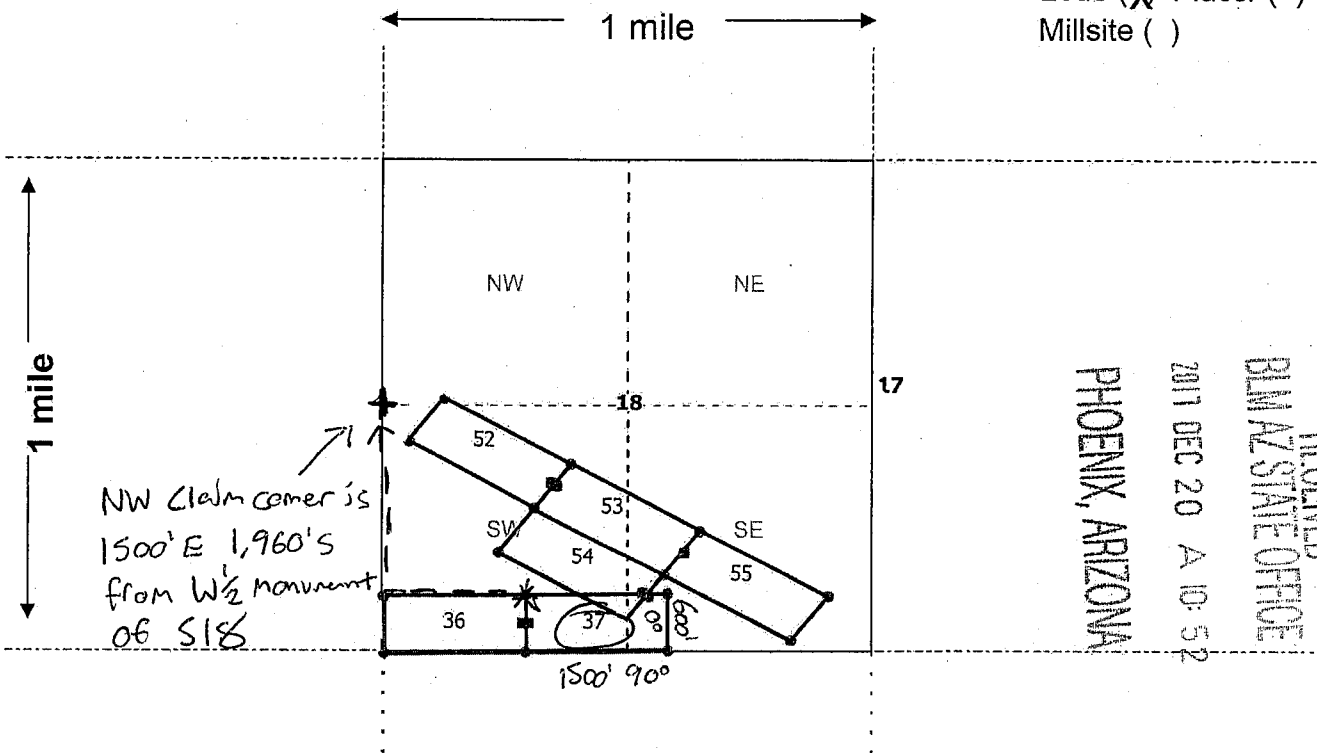
This instrument was signed and sworn to before me  
on 12/2/17 by Stuart Burgess  
(Name of signer)

AMH  
(Notary Signature)  
[Affix seal/stamp to the left or below]

AMC448232

**MINING CLAIM MAP**

Lode (X) Placer ( )  
Millsite ( )



RECEIVED  
 BLM AZ STATE OFFICE  
 2017 DEC 20 A 10:52  
 PHOENIX, ARIZONA

Scale: 1" = 2000 feet



1. The above map depicts the GRMC 37 mining claim, which is located in Section (s) 18, Township 19 N, Range 19 W, Gila and Salt River Base and Meridian, Mohave County, Arizona. Total claim acreage is 20

2. The type of corner and location monuments used are as follows: 2"X2"X50" wooden posts with metal tags or rock monument

3. The bearings and distances in degrees and feet between claim corners and to a public land survey monument are as depicted on the map.

4. If the claim is a placer or millsite claim with exterior limits conforming to legal subdivisions of the public survey, provide a legal description of the claim \_\_\_\_\_

Form MCF100a  
Revised July 2014

This form is available from the Arizona Geology Survey and may be reproduced.

AMC 448232



2F

Gold Road Mining Corp.  
Suite 450, 1090 West Georgia Street  
Vancouver, BC V6E 3V7 Canada



FEE# 2017062221

OFFICIAL RECORDS  
OF MOHAVE COUNTY  
KRISTI BLAIR,  
COUNTY RECORDER



12/26/2017 02:27 PM Fee: \$10.00

PAGE: 1 of 2

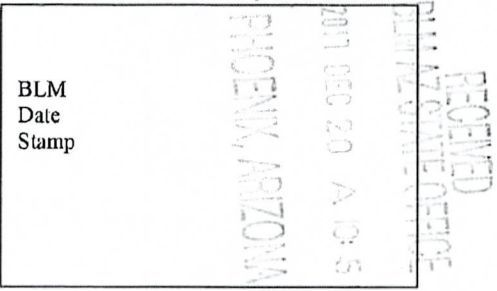
WHEN RECORDED MAIL TO (MC):

FENNEMORE CRAIG  
2394 EAST CAMELBACK RD  
SUITE 600  
PHOENIX AZ 85016

LOCATION NOTICE FOR LODE MINING CLAIM

Amendment BLM Serial # \_\_\_\_\_

NOTICE IS HEREBY GIVEN that the GRMC 42  
\_\_\_\_\_ lode mining claim has been located  
by Gold Road Mining Corp. whose current mailing  
address is Suite 450, 1090 West Georgia Street  
Vancouver, BC V6E 3V7 Canada



The general course of this claim is Northwest-Southeast and it is situated in Mohave  
County, Arizona. This claim is 1500 feet in length and 600 feet in width.

20 Total Claim Acreage. This claim runs from the location monument on which this location notice  
is posted on the centerline of the claim approximately 20 feet in a SE direction to the SE  
end line and 1480 feet in a NW direction to the NW end line. This claim is marked by six  
monuments, one at each corner and one at the center of each end line of the claim.

The location monument on which this notice is posted is situated within Section 12, Township 19  
N, Range 20 W, Gila Salt River Base and Meridian, Arizona and this claim encompasses portions  
of the following quarter section(s), section(s), Township(s) and Range(s) \_\_\_\_\_  
SW1/4 Sec.12 T19N R20W

Gila Salt River Base and Meridian, Arizona.

The locality of this claim with reference to some natural object or permanent monument and additional information  
(if any) concerning its locality are as follows: \_\_\_\_\_

164'E 1,768'N from SW corner Sec.12 T19N R20W to NW claim corner  
\_\_\_\_\_ The above information is shown on the attached map.

DATED AND POSTED on the ground this 18 day of October, 2017.

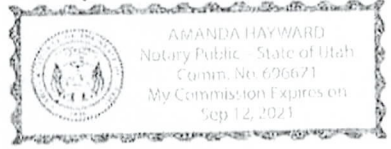
LOCATOR(s)  AGENT  
Print Name(s) Stuart Burgess

Signature(s) \_\_\_\_\_

State of Utah  
County of Salt Lake

This instrument was signed and sworn to before me  
on 12/2/17 by Stuart Burgess  
(Name of signer)

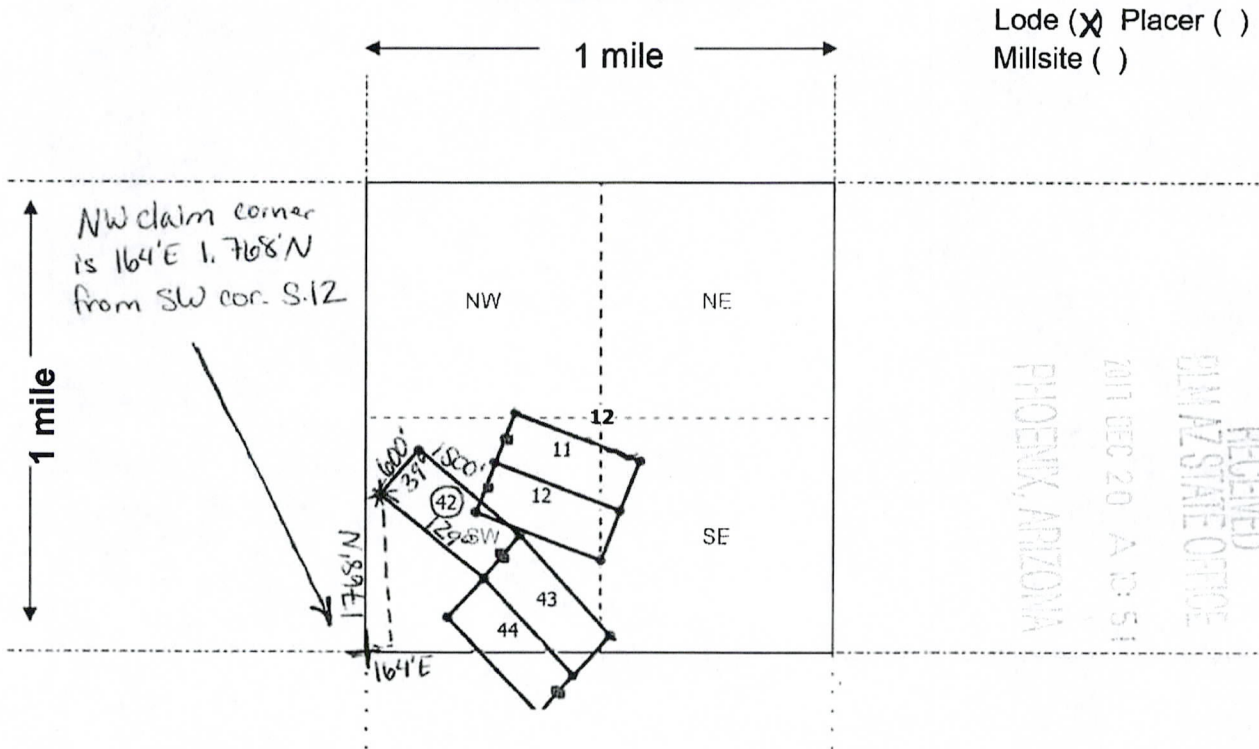
AH  
(Notary Signature)



[Affix seal/stamp to the left or below]

AMC448233

**MINING CLAIM MAP**



Lode (X) Placer ( )  
Millsite ( )

NW claim corner  
is 164'E 1,768'N  
from SW cor. S-12

RECEIVED  
BLM AZ STATE OFFICE  
PHOENIX, ARIZONA  
2017 DEC 20 A 10:51

Scale: 1" = 2000 feet



1. The above map depicts the GRMC 42 mining claim, which is located in Section (s) 12, Township 19 N, Range 20 W, Gila and Salt River Base and Meridian, Mohave County, Arizona. Total claim acreage is 20

2. The type of corner and location monuments used are as follows: 2"X2"X50" wooden posts with metal tags or rock monument

3. The bearings and distances in degrees and feet between claim corners and to a public land survey monument are as depicted on the map.

4. If the claim is a placer or millsite claim with exterior limits conforming to legal subdivisions of the public survey, provide a legal description of the claim \_\_\_\_\_

Form MCF100a  
Revised July 2014

This form is available from the **Arizona Geology Survey** and may be reproduced.

AMC 448233

Gold Road Mining Corp.  
Suite 450, 1090 West Georgia Street  
Vancouver, BC V6E 3V7 Canada

LOCATION NOTICE FOR LODE MINING CLAIM

Amendment BLM Serial # \_\_\_\_\_

NOTICE IS HEREBY GIVEN that the GRMC 42  
\_\_\_\_\_ lode mining claim has been located  
by Gold Road Mining Corp. whose current mailing  
address is Suite 450, 1090 West Georgia Street  
Vancouver, BC V6E 3V7 Canada

RECEIVED  
BLM AZ STATE OFFICE  
2017 DEC 20 A 10:5  
PHOENIX, ARIZONA  
BLM  
Date  
Stamp

The general course of this claim is Northwest-Southeast and it is situated in Mohave  
County, Arizona. This claim is 1500 feet in length and 600 feet in width.

20 Total Claim Acreage. This claim runs from the location monument on which this location notice  
is posted on the centerline of the claim approximately 20 feet in a SE direction to the SE  
end line and 1480 feet in a NW direction to the NW end line. This claim is marked by six  
monuments, one at each corner and one at the center of each end line of the claim.

The location monument on which this notice is posted is situated within Section 12, Township 19  
N, Range 20 W, Gila Salt River Base and Meridian, Arizona and this claim encompasses portions  
of the following quarter section(s), section(s), Township(s) and Range(s) \_\_\_\_\_  
SW1/4 Sec.12 T19N R20W

Gila Salt River Base and Meridian, Arizona.

The locality of this claim with reference to some natural object or permanent monument and additional information  
(if any) concerning its locality are as follows: \_\_\_\_\_

164'E 1,768'N from SW corner Sec.12 T19N R20W to NW claim corner

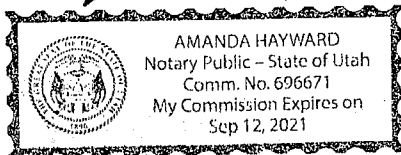
\_\_\_\_\_ The above information is shown on the attached map.

DATED AND POSTED on the ground this 18 day of October, 2017.

LOCATOR(s)  AGENT

Print Name(s) Stuart Burgess

Signature(s) \_\_\_\_\_



State of Utah  
County of Salt Lake

This instrument was signed and sworn to before me  
on 12/2/17 by Stuart Burgess  
(Name of signer)

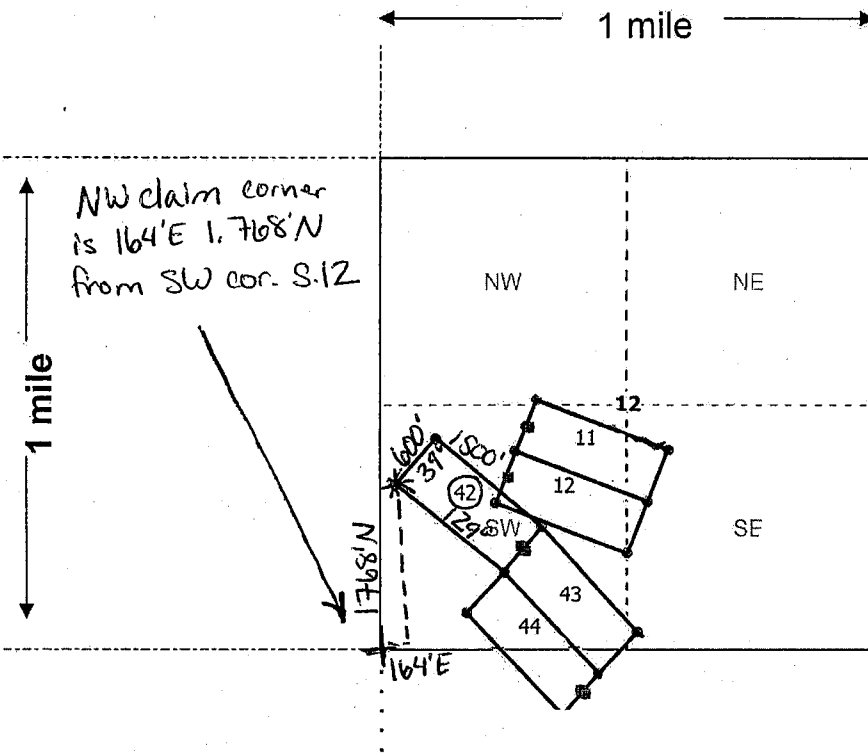
AH  
(Notary Signature)

[Affix seal/stamp to the left or below]

AMC 448233

**MINING CLAIM MAP**

Lode (X) Placer ( )  
Millsite ( )



RECEIVED  
 BLM AZ STATE OFFICE  
 2011 DEC 20 A 10:51  
 PHOENIX, ARIZONA

Scale: 1" = 2000 feet



1. The above map depicts the GRMC 42 mining claim, which is located in Section (s) 12, Township 19 N, Range 20 W, Gila and Salt River Base and Meridian, Mohave County, Arizona. Total claim acreage is 20

2. The type of corner and location monuments used are as follows: 2"X2"X50" wooden posts with metal tags or rock monument

3. The bearings and distances in degrees and feet between claim corners and to a public land survey monument are as depicted on the map.

4. If the claim is a placer or millsite claim with exterior limits conforming to legal subdivisions of the public survey, provide a legal description of the claim \_\_\_\_\_

Form MCF100a  
Revised July 2014

This form is available from the Arizona Geology Survey and may be reproduced.

AMC 448233

26

Gold Road Mining Corp.  
Suite 450, 1090 West Georgia Street  
Vancouver, BC V6E 3V7 Canada

**FEE# 2017062222**

OFFICIAL RECORDS  
OF MOHAVE COUNTY  
KRISTI BLAIR,  
COUNTY RECORDER



12/26/2017 02:27 PM Fee: \$10.00

PAGE: 1 of 2

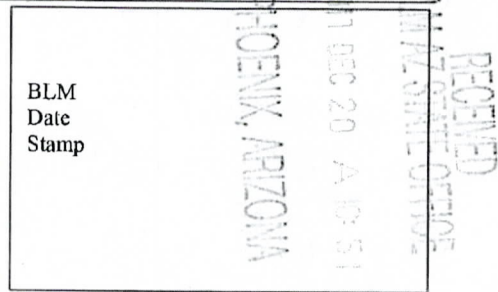
WHEN RECORDED MAIL TO (MC):

FENNEMORE CRAIG  
2394 EAST CAMELBACK RD  
SUITE 600  
PHOENIX AZ 85016

**LOCATION NOTICE FOR LODE MINING CLAIM**

Amendment BLM Serial # \_\_\_\_\_

NOTICE IS HEREBY GIVEN that the GRMC 43  
\_\_\_\_\_ lode mining claim has been located  
by Gold Road Mining Corp. whose current mailing  
address is Suite 450, 1090 West Georgia Street  
Vancouver, BC V6E 3V7 Canada



The general course of this claim is Northwest-Southeast and it is situated in Mohave  
County, Arizona. This claim is 1500 feet in length and 600 feet in width.

20 Total Claim Acreage. This claim runs from the location monument on which this location notice  
is posted on the centerline of the claim approximately 20 feet in a NW direction to the NW  
end line and 1480 feet in a SE direction to the SE end line. This claim is marked by six  
monuments, one at each corner and one at the center of each end line of the claim.

The location monument on which this notice is posted is situated within Section 12, Township 19  
N, Range 20 W, Gila Salt River Base and Meridian, Arizona and this claim encompasses portions  
of the following quarter section(s), section(s), Township(s) and Range(s) \_\_\_\_\_  
SW1/4 Sec.12, NW1/4 Sec.13 T19N R20W

Gila Salt River Base and Meridian, Arizona.

The locality of this claim with reference to some natural object or permanent monument and additional information  
(if any) concerning its locality are as follows: \_\_\_\_\_

1,311'E 835'N from SW corner Sec.12 T19N R20W to NW claim corner

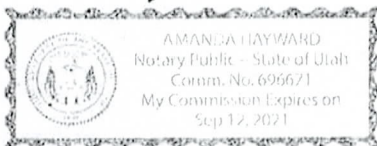
\_\_\_\_\_ The above information is shown on the attached map.

DATED AND POSTED on the ground this 18 day of October, 20 17.

LOCATOR(s)  AGENT

Print Name(s) Stuart Burgess

Signature(s) \_\_\_\_\_



State of Utah  
County of Salt Lake

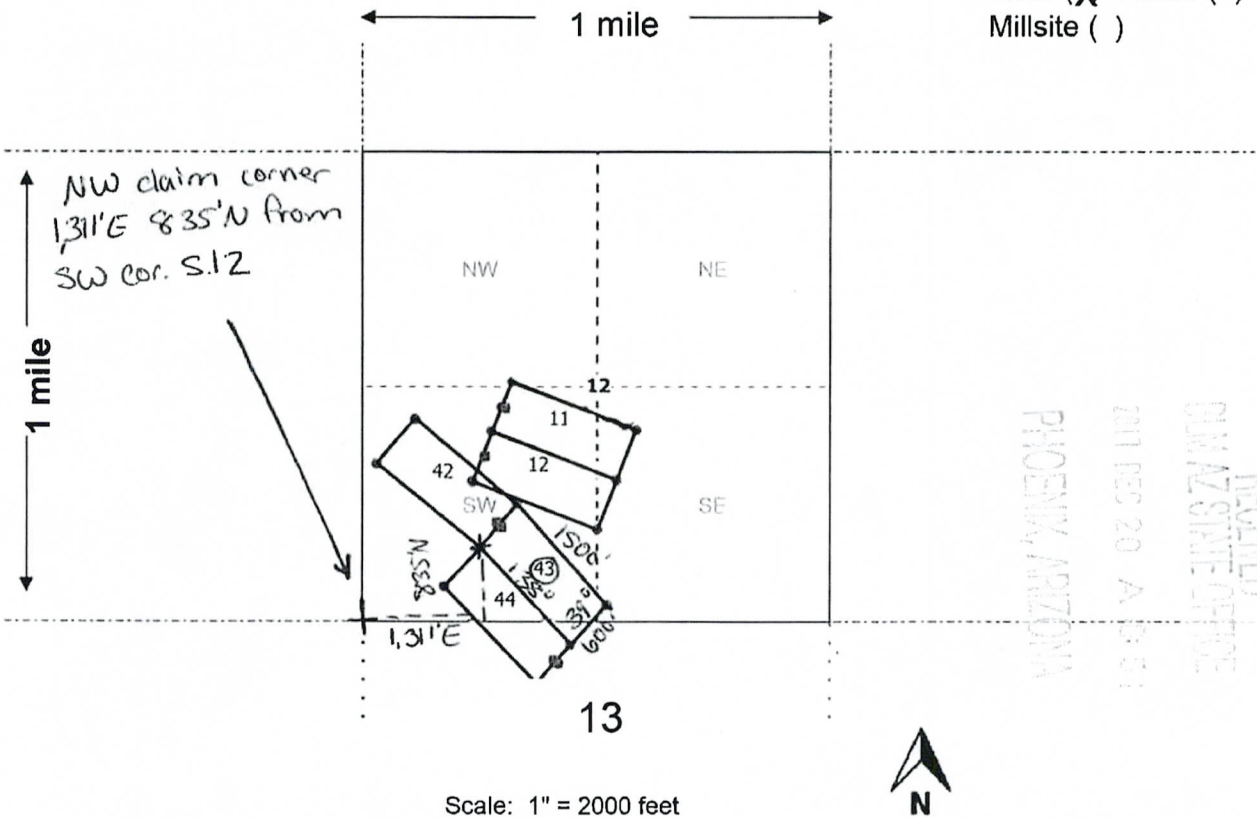
This instrument was signed and sworn to before me  
on 12/2/17 by Stuart Burgess  
(Name of signer)

AH  
(Notary Signature)  
[Affix seal/stamp to the left or below]

AMC448234

**MINING CLAIM MAP**

Lode (X) Placer ( )  
Millsite ( )



RECEIVED  
DIMA AZ STATE OFFICE  
2011 DEC 20 A 10:51  
PHOENIX, ARIZONA

AMC 448234

Scale: 1" = 2000 feet

- The above map depicts the GRMC 43 mining claim, which is located in Section (s) 12, 13, Township 19 N, Range 20 W, Gila and Salt River Base and Meridian, Mohave County, Arizona. Total claim acreage is 20
- The type of corner and location monuments used are as follows: 2"X2"X50" wooden posts with metal tags or rock monument
- The bearings and distances in degrees and feet between claim corners and to a public land survey monument are as depicted on the map.
- If the claim is a placer or millsite claim with exterior limits conforming to legal subdivisions of the public survey, provide a legal description of the claim \_\_\_\_\_

Form MCF100a  
Revised July 2014

Gold Road Mining Corp.  
Suite 450, 1090 West Georgia Street  
Vancouver, BC V6E 3V7 Canada

LOCATION NOTICE FOR LODE MINING CLAIM

Amendment BLM Serial # \_\_\_\_\_

NOTICE IS HEREBY GIVEN that the GRMC 43  
\_\_\_\_\_ lode mining claim has been located  
by Gold Road Mining Corp. whose current mailing  
address is Suite 450, 1090 West Georgia Street  
Vancouver, BC V6E 3V7 Canada

BLM  
Date  
Stamp  
2011 DEC 20 A 10:51  
PHOENIX, ARIZONA  
BLM AZ STATE OFFICE  
RECEIVED

The general course of this claim is Northwest-Southeast and it is situated in Mohave  
County, Arizona. This claim is 1500 feet in length and 600 feet in width.

20 Total Claim Acreage. This claim runs from the location monument on which this location notice  
is posted on the centerline of the claim approximately 20 feet in a NW direction to the NW  
end line and 1480 feet in a SE direction to the SE end line. This claim is marked by six  
monuments, one at each corner and one at the center of each end line of the claim.

The location monument on which this notice is posted is situated within Section 12, Township 19  
N, Range 20 W, Gila Salt River Base and Meridian, Arizona and this claim encompasses portions  
of the following quarter section(s), section(s), Township(s) and Range(s) \_\_\_\_\_  
SW1/4 Sec.12, NW1/4 Sec.13 T19N R20W

Gila Salt River Base and Meridian, Arizona.

The locality of this claim with reference to some natural object or permanent monument and additional information  
(if any) concerning its locality are as follows: \_\_\_\_\_

1,311'E 835'N from SW corner Sec.12 T19N R20W to NW claim corner

\_\_\_\_\_ The above information is shown on the attached map.

DATED AND POSTED on the ground this 18 day of October, 2017.

LOCATOR(s)  AGENT

Print Name(s) Stuart Burgess

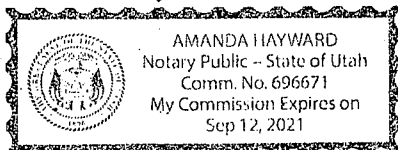
Signature(s) \_\_\_\_\_

State of Utah  
County of Salt Lake

This instrument was signed and sworn to before me  
on 12/2/17 by Stuart Burgess  
(Name of signer)

ASH

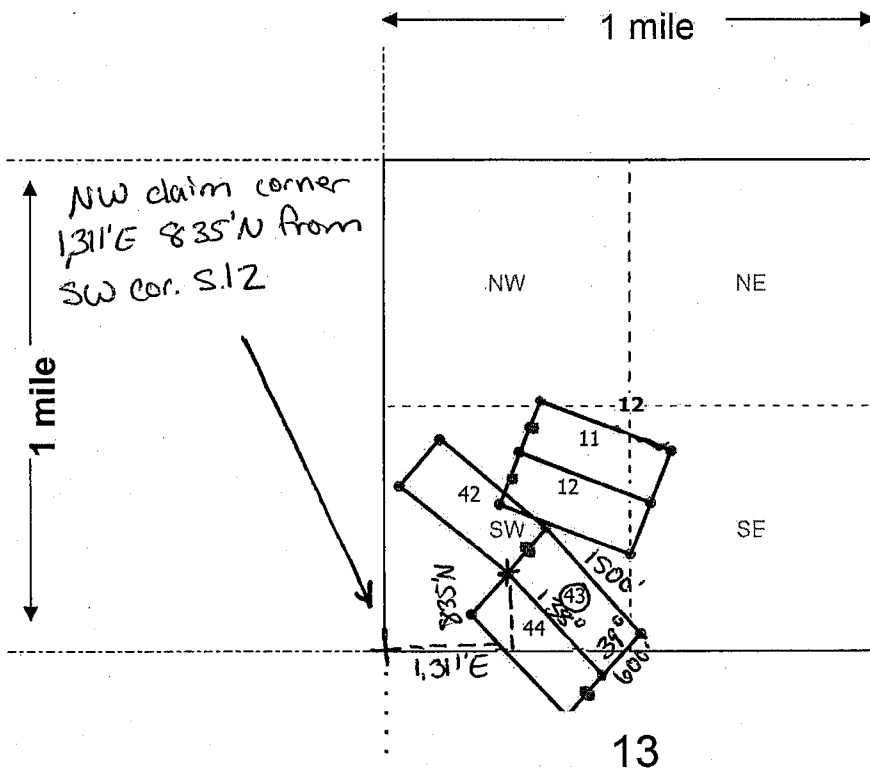
(Notary Signature)  
[Affix seal/stamp to the left or below]



AMC448234

**MINING CLAIM MAP**

Lode (X) Placer ( )  
Millsite ( . )



RECEIVED  
 PHOENIX, ARIZONA  
 2011 DEC 20 A.D. 51  
 D.M. AZ STATE OFFICE

Scale: 1" = 2000 feet

1. The above map depicts the GRMC 43 mining claim, which is located in Section (s) 12, 13, Township 19 N, Range 20 W, Gila and Salt River Base and Meridian, Mohave County, Arizona. Total claim acreage is 20

2. The type of corner and location monuments used are as follows: 2"X2"X50" wooden posts with metal tags or rock monument

3. The bearings and distances in degrees and feet between claim corners and to a public land survey monument are as depicted on the map.

4. If the claim is a placer or millsite claim with exterior limits conforming to legal subdivisions of the public survey, provide a legal description of the claim \_\_\_\_\_

Form MCF100a  
Revised July 2014

This form is available from the Arizona Geology Survey and may be reproduced.

AMC 4 8 2 3 4





FEE# 2017062223

OFFICIAL RECORDS OF MOHAVE COUNTY KRISTI BLAIR COUNTY RECORDER



12/26/2017 02:27 PM Fee: \$10.00

PAGE: 1 of 2

24

Gold Road Mining Corp. Suite 450, 1090 West Georgia Street Vancouver, BC V6E 3V7 Canada

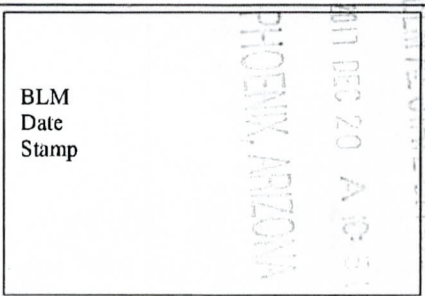
WHEN RECORDED MAIL TO (MC):

FENNEMORE CRAIG 2394 EAST CAMELBACK RD SUITE 600 PHOENIX AZ 85016

LOCATION NOTICE FOR LODE MINING CLAIM

Amendment BLM Serial #

NOTICE IS HEREBY GIVEN that the GRMC 44 lode mining claim has been located by Gold Road Mining Corp. whose current mailing address is Suite 450, 1090 West Georgia Street Vancouver, BC V6E 3V7 Canada



The general course of this claim is Northwest-Southeast and it is situated in Mohave County, Arizona. This claim is 1500 feet in length and 600 feet in width.

20 Total Claim Acreage. This claim runs from the location monument on which this location notice is posted on the centerline of the claim approximately 20 feet in a SE direction to the SE end line and 1480 feet in a NW direction to the NW end line. This claim is marked by six monuments, one at each corner and one at the center of each end line of the claim.

The location monument on which this notice is posted is situated within Section 13, Township 19 N, Range 20 W, Gila Salt River Base and Meridian, Arizona and this claim encompasses portions of the following quarter section(s), section(s), Township(s) and Range(s) SW1/4 Sec.12, NW1/4 Sec.13 T19N R20W

Gila Salt River Base and Meridian, Arizona.

The locality of this claim with reference to some natural object or permanent monument and additional information (if any) concerning its locality are as follows:

900'E 396'N from SW corner Sec.12 T19N R20W to NW claim corner

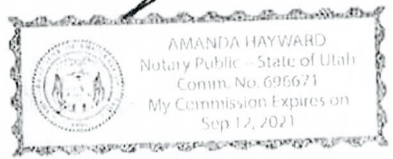
The above information is shown on the attached map.

DATED AND POSTED on the ground this 18 day of October, 2017.

LOCATOR(s) AGENT

Print Name(s) Stuart Burgess

Signature(s)



State of Utah County of Salt Lake

This instrument was signed and sworn to before me on 12/2/17 by Stuart Burgess (Name of signer)

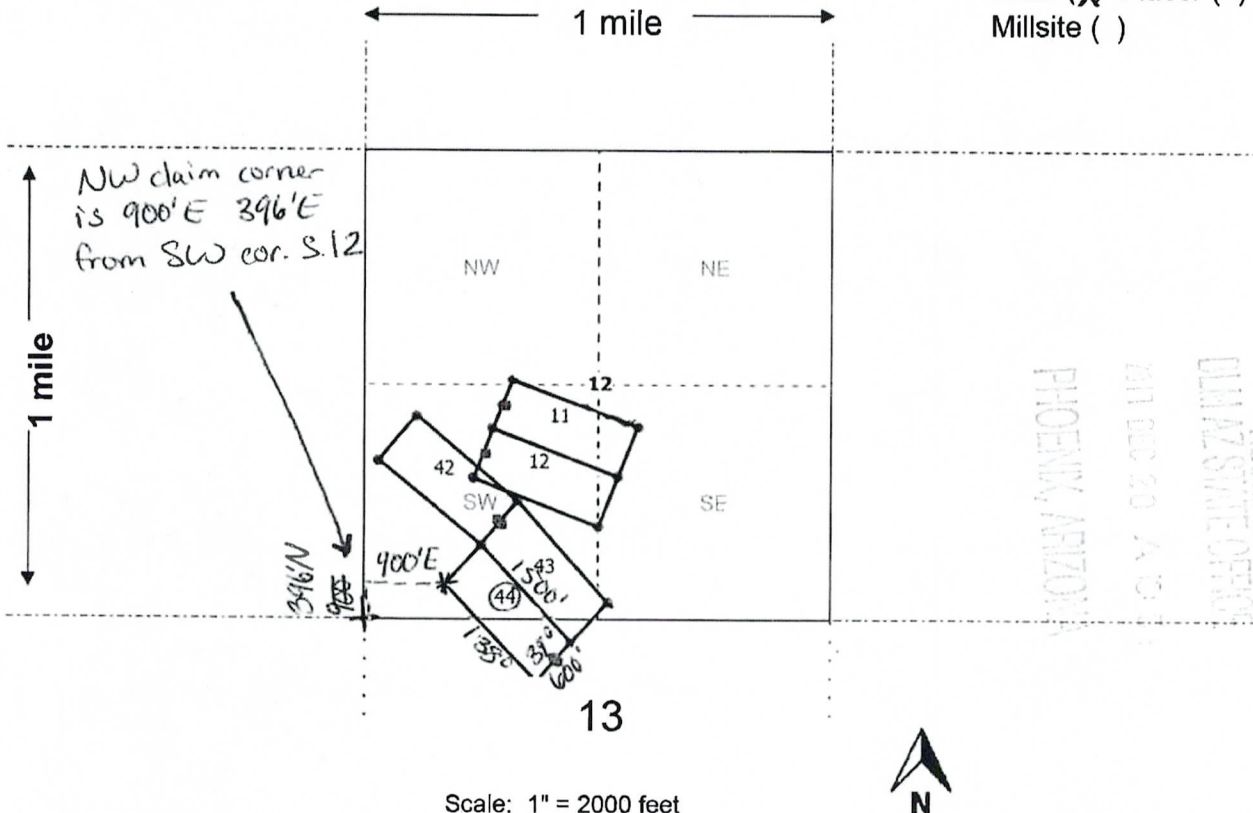
[Signature] (Notary Signature)

[Affix seal/stamp to the left or below]

AMC448235

**MINING CLAIM MAP**

Lode (X) Placer ( )  
Millsite ( )



Scale: 1" = 2000 feet

1. The above map depicts the GRMC 44 mining claim, which is located in Section (s) 12, 13, Township 19 N, Range 20 W, Gila and Salt River Base and Meridian, Mohave County, Arizona. Total claim acreage is 20

2. The type of corner and location monuments used are as follows: 2"X2"X50" wooden posts with metal tags or rock monument

3. The bearings and distances in degrees and feet between claim corners and to a public land survey monument are as depicted on the map.

4. If the claim is a placer or millsite claim with exterior limits conforming to legal subdivisions of the public survey, provide a legal description of the claim \_\_\_\_\_

Form MCF100a  
Revised July 2014

This form is available from the **Arizona Geology Survey** and may be reproduced.

AMC448235

Gold Road Mining Corp.  
Suite 450, 1090 West Georgia Street  
Vancouver, BC V6E 3V7 Canada

**LOCATION NOTICE FOR LODE MINING CLAIM**

Amendment BLM Serial # \_\_\_\_\_

NOTICE IS HEREBY GIVEN that the GRMC 44  
\_\_\_\_\_ lode mining claim has been located  
by Gold Road Mining Corp. whose current mailing  
address is Suite 450, 1090 West Georgia Street  
Vancouver, BC V6E 3V7 Canada

BLM  
Date  
Stamp  
PHOENIX, ARIZONA  
DEC 20 A 10:51  
BLM AZ STATE OFFICE

RECEIVED  
BLM AZ STATE OFFICE

The general course of this claim is Northwest-Southeast and it is situated in Mohave  
County, Arizona. This claim is 1500 feet in length and 600 feet in width.

20 Total Claim Acreage. This claim runs from the location monument on which this location notice  
is posted on the centerline of the claim approximately 20 feet in a SE direction to the SE  
end line and 1480 feet in a NW direction to the NW end line. This claim is marked by six  
monuments, one at each corner and one at the center of each end line of the claim.

The location monument on which this notice is posted is situated within Section 13, Township 19  
N, Range 20 W, Gila Salt River Base and Meridian, Arizona and this claim encompasses portions  
of the following quarter section(s), section(s), Township(s) and Range(s) \_\_\_\_\_  
SW1/4 Sec.12, NW1/4 Sec.13 T19N R20W

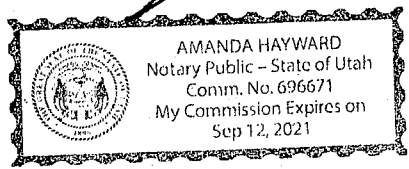
Gila Salt River Base and Meridian, Arizona.

The locality of this claim with reference to some natural object or permanent monument and additional information  
(if any) concerning its locality are as follows: \_\_\_\_\_  
900'E 396'N from SW corner Sec.12 T19N R20W to NW claim corner

\_\_\_\_\_ The above information is shown on the attached map.

DATED AND POSTED on the ground this 18 day of October, 2017.

LOCATOR(s)  AGENT  
Print Name(s) Stuart Burgess  
Signature(s) \_\_\_\_\_



State of Utah  
County of Salt Lake

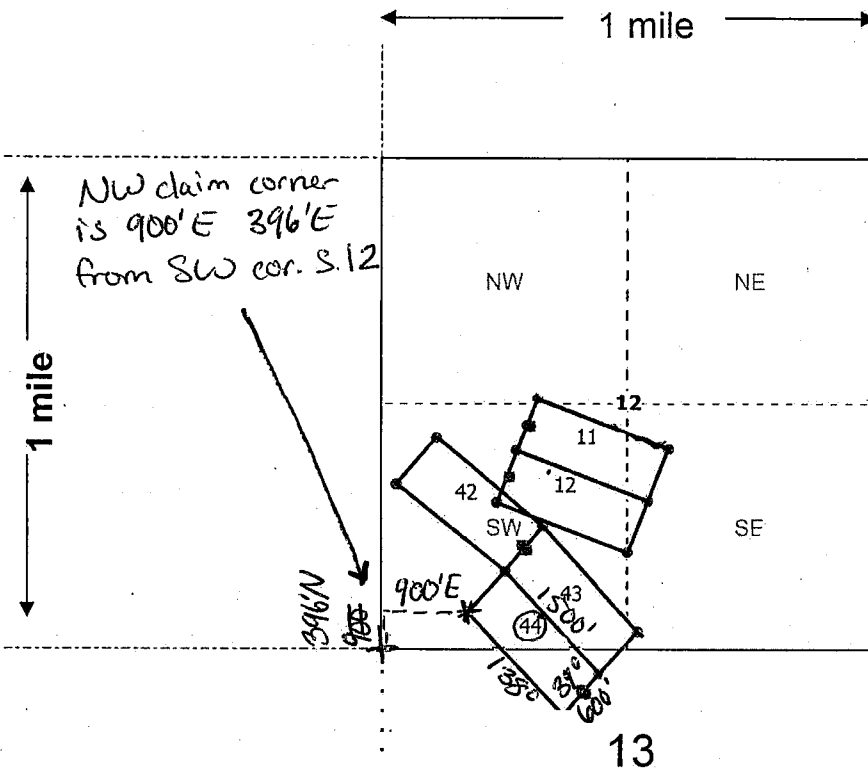
This instrument was signed and sworn to before me  
on 12/2/17 by Stuart Burgess  
(Name of signer)

ASH  
(Notary Signature)  
[Affix seal/stamp to the left or below]

AMC448235

**MINING CLAIM MAP**

Lode (X) Placer ( )  
Millsite ( )



RECEIVED  
 DEPARTMENT OF  
 MINES AND METALS  
 PHOENIX, ARIZONA  
 2011 DEC 20 A 10:51

AMC 448235

Scale: 1" = 2000 feet



1. The above map depicts the GRMC 44 mining claim, which is located in Section (s) 12, 13, Township 19 N, Range 20 W, Gila and Salt River Base and Meridian, Mohave County, Arizona. Total claim acreage is 20

2. The type of corner and location monuments used are as follows: 2"X2"X50" wooden posts with metal tags or rock monument

3. The bearings and distances in degrees and feet between claim corners and to a public land survey monument are as depicted on the map.

4. If the claim is a placer or millsite claim with exterior limits conforming to legal subdivisions of the public survey, provide a legal description of the claim \_\_\_\_\_

Form MCF100a  
Revised July 2014

2E

Gold Road Mining Corp.  
Suite 450, 1090 West Georgia Street  
Vancouver, BC V6E 3V7 Canada

**FEE# 2017062224**

OFFICIAL RECORDS  
OF MOHAVE COUNTY  
KRISTI BLAIR,  
COUNTY RECORDER



12/26/2017 02:27 PM Fee: \$10.00

PAGE: 1 of 2

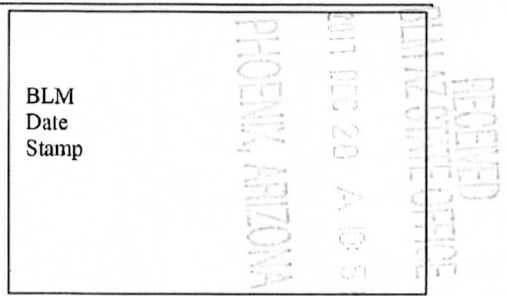
WHEN RECORDED MAIL TO (MC):

FENNEMORE CRAIG  
2394 EAST CAMELBACK RD  
SUITE 600  
PHOENIX AZ 85016

**LOCATION NOTICE FOR LODE MINING CLAIM**

Amendment BLM Serial # \_\_\_\_\_

NOTICE IS HEREBY GIVEN that the GRMC 45  
\_\_\_\_\_ lode mining claim has been located  
by Gold Road Mining Corp. whose current mailing  
address is Suite 450, 1090 West Georgia Street  
Vancouver, BC V6E 3V7 Canada



The general course of this claim is Northwest-Southeast and it is situated in Mohave  
County, Arizona. This claim is 1500 feet in length and 600 feet in width.

20 Total Claim Acreage. This claim runs from the location monument on which this location notice  
is posted on the centerline of the claim approximately 20 feet in a SE direction to the SE  
end line and 1480 feet in a NW direction to the NW end line. This claim is marked by six  
monuments, one at each corner and one at the center of each end line of the claim.

The location monument on which this notice is posted is situated within Section 13, Township 19  
N, Range 20 W, Gila Salt River Base and Meridian, Arizona and this claim encompasses portions  
of the following quarter section(s), section(s), Township(s) and Range(s) \_\_\_\_\_  
SE1/4 Sec.12 NW1/4, NE1/4 Sec.13 T19N R20W

Gila Salt River Base and Meridian, Arizona.

The locality of this claim with reference to some natural object or permanent monument and additional information  
(if any) concerning its locality are as follows: \_\_\_\_\_

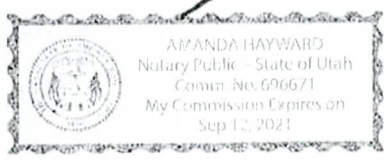
2,997'W 250'S from NE corner Sec.13 T19N R20W to NW claim corner  
\_\_\_\_\_ The above information is shown on the attached map.

DATED AND POSTED on the ground this 18 day of October, 2017.

LOCATOR(s)  AGENT

Print Name(s) Stuart Burgess

Signature(s) \_\_\_\_\_



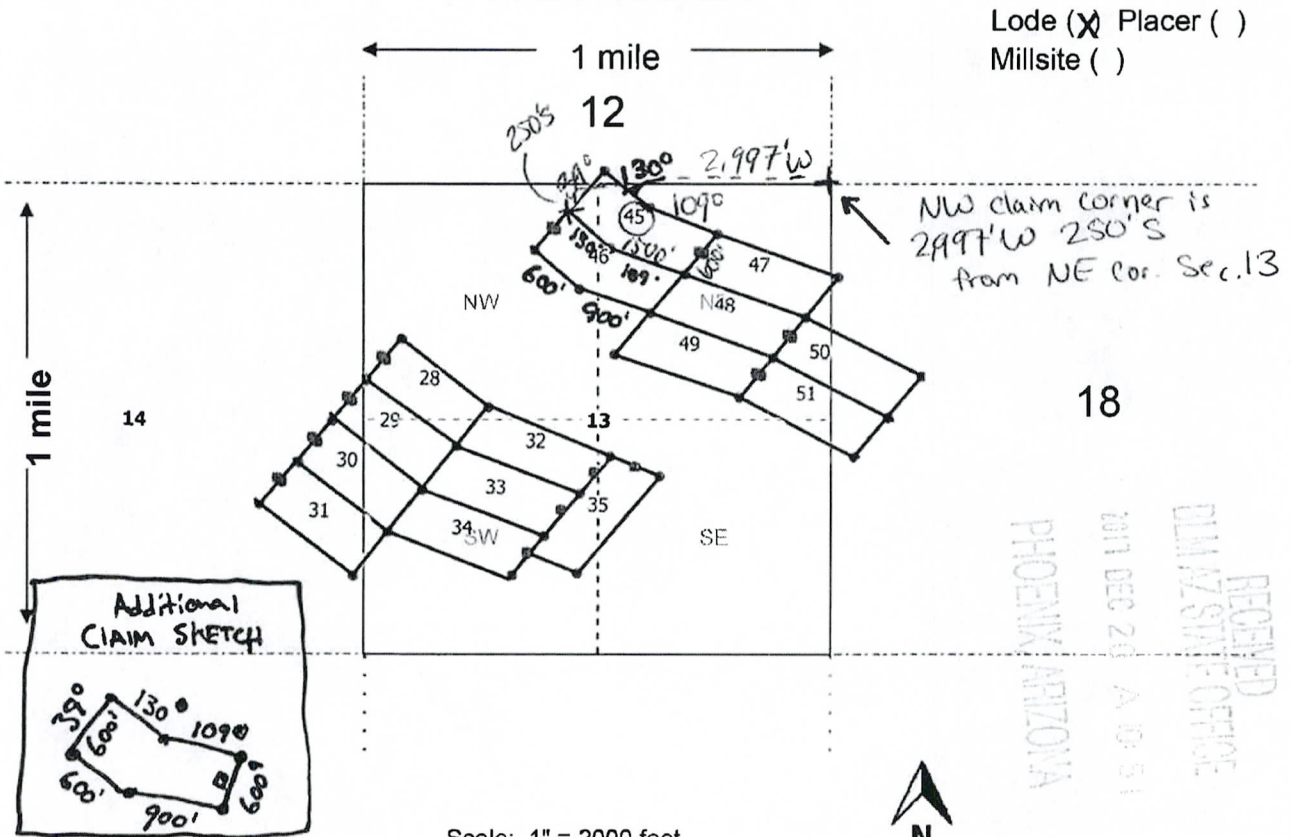
State of Utah  
County of Salt Lake

This instrument was signed and sworn to before me  
on 12/2/17 by Stuart Burgess  
(Name of signer)

AH  
(Notary Signature)  
[Affix seal/stamp to the left or below]

AMC448236

**MINING CLAIM MAP**



Lode (X) Placer ( )  
Millsite ( )

Scale: 1" = 2000 feet

1. The above map depicts the GRMC 45 mining claim, which is located in Section (s) 12, 13, Township 19 N, Range 20 W, Gila and Salt River Base and Meridian, Mohave County, Arizona. Total claim acreage is 20

2. The type of corner and location monuments used are as follows: 2"X2"X50" wooden posts with metal tags or rock monument

3. The bearings and distances in degrees and feet between claim corners and to a public land survey monument are as depicted on the map.

4. If the claim is a placer or millsite claim with exterior limits conforming to legal subdivisions of the public survey, provide a legal description of the claim \_\_\_\_\_

**Form MCF100a**  
Revised July 2014

This form is available from the **Arizona Geology Survey** and may be reproduced.

AMC 448236

Gold Road Mining Corp.  
Suite 450, 1090 West Georgia Street  
Vancouver, BC V6E 3V7 Canada

**LOCATION NOTICE FOR LODE MINING CLAIM**

Amendment BLM Serial # \_\_\_\_\_

NOTICE IS HEREBY GIVEN that the GRMC 45  
\_\_\_\_\_ lode mining claim has been located  
by Gold Road Mining Corp. whose current mailing  
address is Suite 450, 1090 West Georgia Street  
Vancouver, BC V6E 3V7 Canada

RECEIVED  
BLM AZONIAN OFFICE  
2017 DEC 20 A 10:51  
PHOENIX, ARIZONA  
BLM  
Date  
Stamp

The general course of this claim is Northwest-Southeast and it is situated in Mohave  
County, Arizona. This claim is 1500 feet in length and 600 feet in width.

20 Total Claim Acreage. This claim runs from the location monument on which this location notice  
is posted on the centerline of the claim approximately 20 feet in a SE direction to the SE  
end line and 1480 feet in a NW direction to the NW end line. This claim is marked by six  
monuments, one at each corner and one at the center of each end line of the claim.

The location monument on which this notice is posted is situated within Section 13, Township 19  
N, Range 20 W, Gila Salt River Base and Meridian, Arizona and this claim encompasses portions  
of the following quarter section(s), section(s), Township(s) and Range(s) \_\_\_\_\_  
SE1/4 Sec.12 NW1/4, NE1/4 Sec.13 T19N R20W

Gila Salt River Base and Meridian, Arizona.

The locality of this claim with reference to some natural object or permanent monument and additional information  
(if any) concerning its locality are as follows: \_\_\_\_\_  
2,997'W 250'S from NE corner Sec.13 T19N R20W to NW claim corner

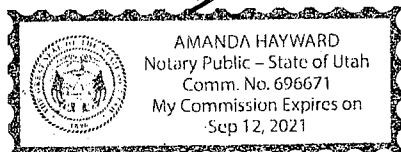
\_\_\_\_\_ The above information is shown on the attached map.

DATED AND POSTED on the ground this 18 day of October, 20 17.

LOCATOR(s)  AGENT

Print Name(s) Stuart Burgess

Signature(s) \_\_\_\_\_



State of Utah  
County of Salt Lake

This instrument was signed and sworn to before me  
on 12/2/17 by Stuart Burgess  
(Name of signer)

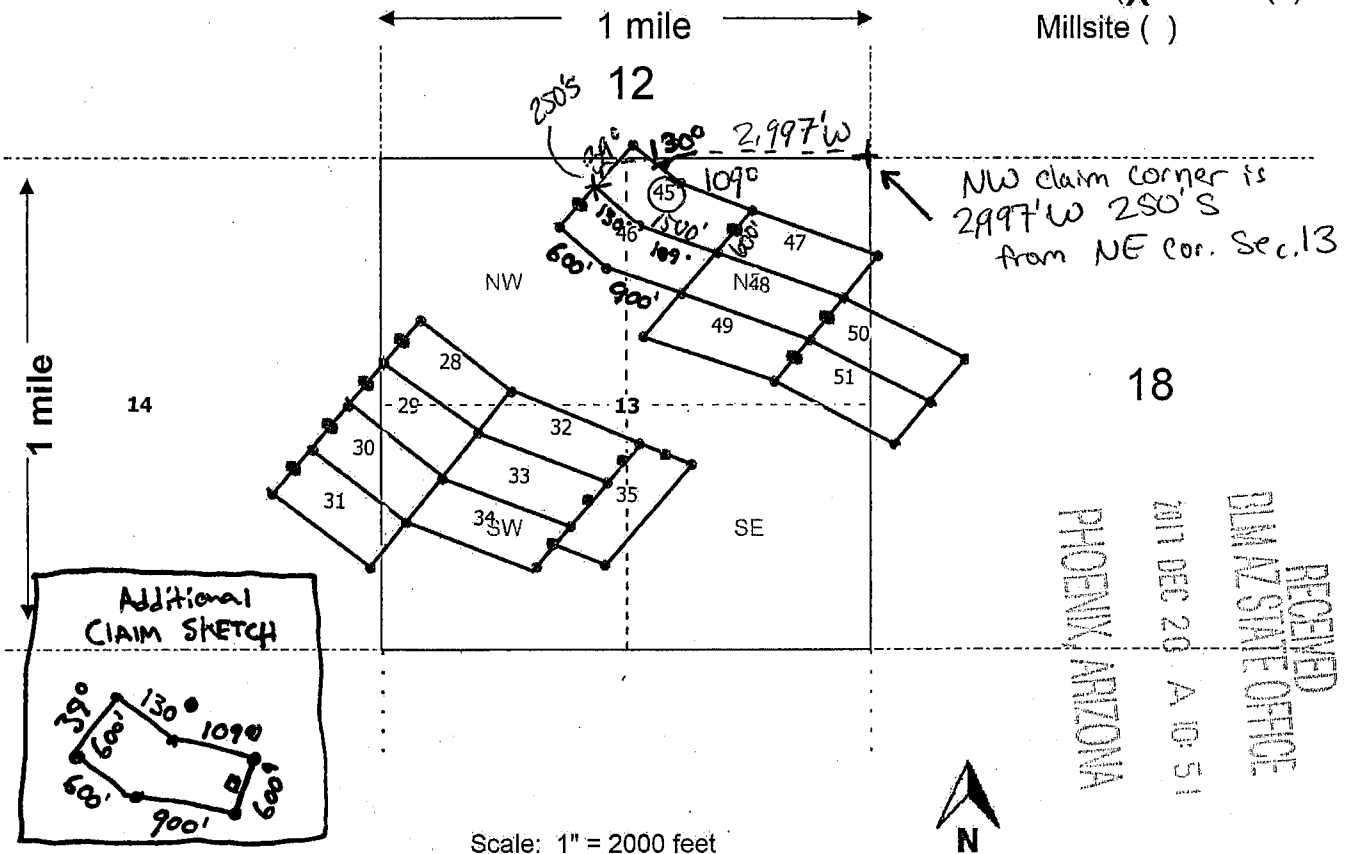
AH

(Notary Signature)  
[Affix seal/stamp to the left or below]

AMC448236

**MINING CLAIM MAP**

Lode (X) Placer ( )  
Millsite ( )



1. The above map depicts the GRMC 45 mining claim, which is located in Section (s) 12, 13, Township 19 N, Range 20 W, Gila and Salt River Base and Meridian, Mohave County, Arizona. Total claim acreage is 20

2. The type of corner and location monuments used are as follows: 2"X2"X50" wooden posts with metal tags or rock monument

3. The bearings and distances in degrees and feet between claim corners and to a public land survey monument are as depicted on the map.

4. If the claim is a placer or millsite claim with exterior limits conforming to legal subdivisions of the public survey, provide a legal description of the claim \_\_\_\_\_

Form MCF100a  
Revised July 2014

This form is available from the Arizona Geology Survey and may be reproduced.

AMC 448236



2E

Gold Road Mining Corp.  
Suite 450, 1090 West Georgia Street  
Vancouver, BC V6E 3V7 Canada

**FEE# 2017062225**

OFFICIAL RECORDS  
OF MOHAVE COUNTY  
KRISTI BLAIR,  
COUNTY RECORDER



12/26/2017 02:27 PM Fee: \$10.00

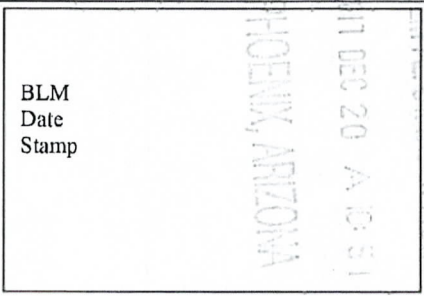
PAGE: 1 of 2

WHEN RECORDED MAIL TO (MC):

FENNEMORE CRAIG  
2394 EAST CAMELBACK RD  
SUITE 600  
PHOENIX AZ 85016

**LOCATION NOTICE FOR LODE MINING CLAIM**

Amendment BLM Serial # \_\_\_\_\_  
NOTICE IS HEREBY GIVEN that the GRMC 46  
\_\_\_\_\_ lode mining claim has been located  
by Gold Road Mining Corp. whose current mailing  
address is Suite 450, 1090 West Georgia Street  
Vancouver, BC V6E 3V7 Canada



The general course of this claim is Northwest-Southeast and it is situated in Mohave  
County, Arizona. This claim is 1500 feet in length and 600 feet in width.

20 Total Claim Acreage. This claim runs from the location monument on which this location notice  
is posted on the centerline of the claim approximately 20 feet in a NW direction to the NW  
end line and 1480 feet in a SE direction to the SE end line. This claim is marked by six  
monuments, one at each corner and one at the center of each end line of the claim.

The location monument on which this notice is posted is situated within Section 13, Township 19  
N, Range 20 W, Gila Salt River Base and Meridian, Arizona and this claim encompasses portions  
of the following quarter section(s), section(s), Township(s) and Range(s) \_\_\_\_\_  
NW1/4, NE1/4 Sec.13 T19N R20W

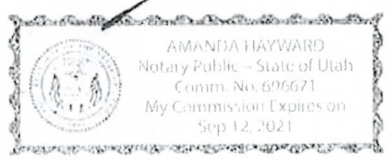
Gila Salt River Base and Meridian, Arizona.

The locality of this claim with reference to some natural object or permanent monument and additional information  
(if any) concerning its locality are as follows: \_\_\_\_\_

3,337' x 702'S from NE corner Sec.13 T19N R20W to NW claim corner  
W \_\_\_\_\_ The above information is shown on the attached map.

DATED AND POSTED on the ground this 18 day of October, 2017.

LOCATOR(s)  AGENT  
Print Name(s) Stuart Burgess  
Signature(s) \_\_\_\_\_



State of Utah  
County of Salt Lake

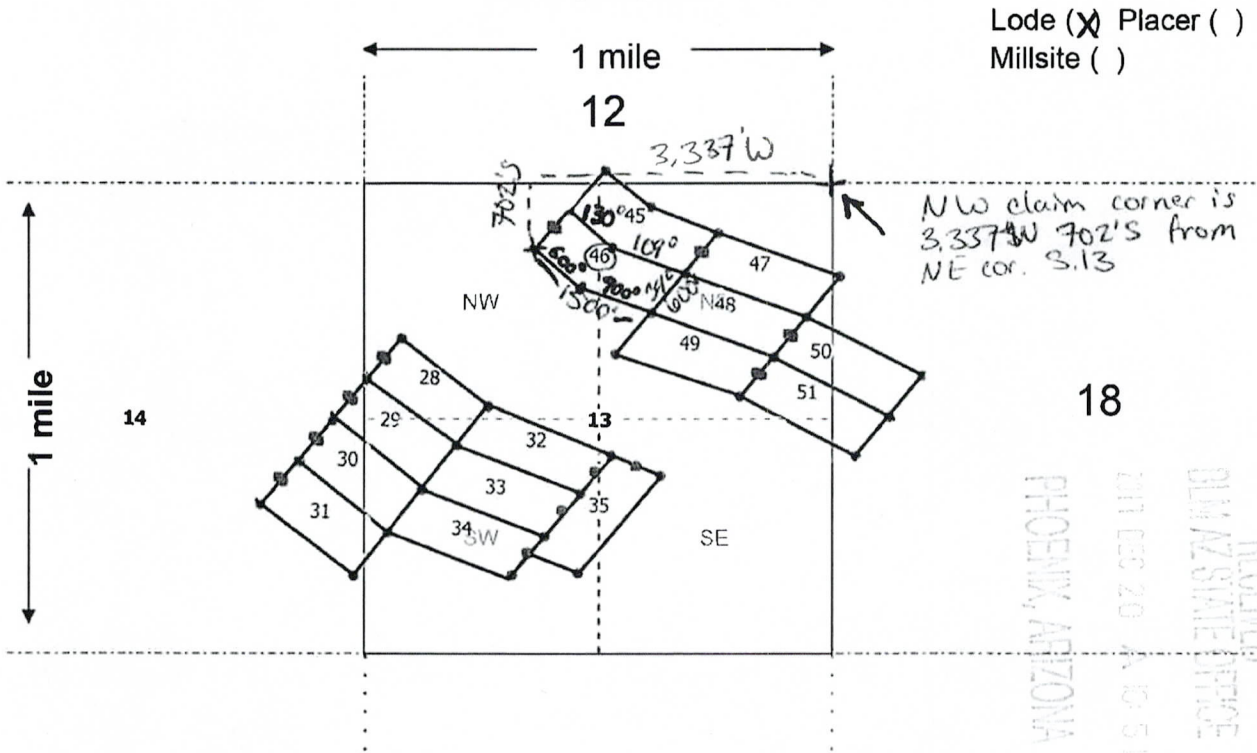
This instrument was signed and sworn to before me  
on 12/2/17 by Stuart Burgess  
(Name of signer)

[Signature]  
(Notary Signature)

[Affix seal/stamp to the left or below]

AMC448231

**MINING CLAIM MAP**



Lode (X) Placer ( )  
Millsite ( )

NW claim corner is  
3,337' W 702'S from  
NE cor. S. 13

RECEIVED  
DLM AZ STATE OFFICE  
2017 DEC 20 11:10:51  
PHOENIX, ARIZONA

Scale: 1" = 2000 feet



1. The above map depicts the GRMC 46 mining claim, which is located in Section (s) 13, Township 19 N, Range 20 W, Gila and Salt River Base and Meridian, Mohave County, Arizona. Total claim acreage is 20
2. The type of corner and location monuments used are as follows: 2"X2"X50" wooden posts with metal tags or rock monument
3. The bearings and distances in degrees and feet between claim corners and to a public land survey monument are as depicted on the map.
4. If the claim is a placer or millsite claim with exterior limits conforming to legal subdivisions of the public survey, provide a legal description of the claim \_\_\_\_\_

Form MCF100a  
Revised July 2014

This form is available from the Arizona Geology Survey and may be reproduced.

AMC448237

Gold Road Mining Corp.  
Suite 450, 1090 West Georgia Street  
Vancouver, BC V6E 3V7 Canada

LOCATION NOTICE FOR LODE MINING CLAIM

Amendment BLM Serial # \_\_\_\_\_

NOTICE IS HEREBY GIVEN that the GRMC 46  
\_\_\_\_\_ lode mining claim has been located  
by Gold Road Mining Corp. whose current mailing  
address is Suite 450, 1090 West Georgia Street  
Vancouver, BC V6E 3V7 Canada

BLM.  
Date  
Stamp  
2017 DEC 20 A 10:51  
PHOENIX, ARIZONA  
BLM STATE OFFICE

RECEIVED  
BLM STATE OFFICE

The general course of this claim is Northwest-Southeast and it is situated in Mohave  
County, Arizona. This claim is 1500 feet in length and 600 feet in width.

20 Total Claim Acreage. This claim runs from the location monument on which this location notice  
is posted on the centerline of the claim approximately 20 feet in a NW direction to the NW  
end line and 1480 feet in a SE direction to the SE end line. This claim is marked by six  
monuments, one at each corner and one at the center of each end line of the claim.

The location monument on which this notice is posted is situated within Section 13, Township 19  
N, Range 20 W, Gila Salt River Base and Meridian, Arizona and this claim encompasses portions  
of the following quarter section(s), section(s), Township(s) and Range(s) \_\_\_\_\_  
NW1/4, NE1/4 Sec.13 T19N R20W

Gila Salt River Base and Meridian, Arizona.

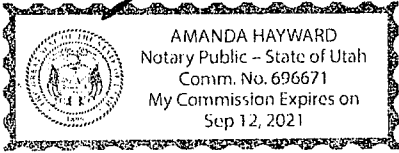
The locality of this claim with reference to some natural object or permanent monument and additional information  
(if any) concerning its locality are as follows: \_\_\_\_\_

3,337' <sup>W</sup> 702'S from NE corner Sec.13 T19N R20W to NW claim corner  
\_\_\_\_\_ The above information is shown on the attached map.

DATED AND POSTED on the ground this 18 day of October, 2017.

LOCATOR(s)  AGENT  
Print Name(s) Stuart Burgess  
Signature(s) \_\_\_\_\_

State of Utah  
County of Salt Lake



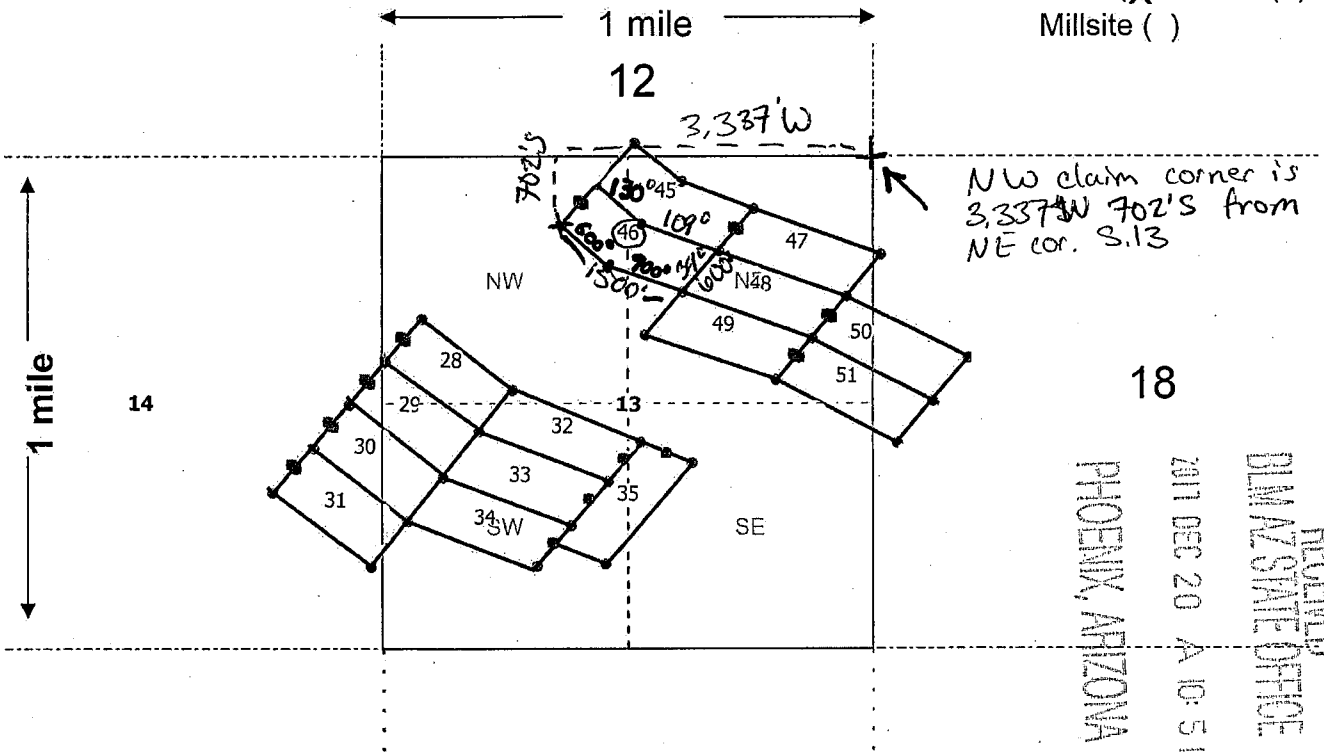
This instrument was signed and sworn to before me  
on 12/2/17 by Stuart Burgess  
(Name of signer)

ASH  
(Notary Signature)  
[Affix seal/stamp to the left or below]

AMC448237

**MINING CLAIM MAP**

Lode (X) Placer ( )  
Millsite ( )



RECEIVED  
 PHOENIX, ARIZONA  
 2017 DEC 20 A 10:51  
 DMM AZ STATE OFFICE

Scale: 1" = 2000 feet

1. The above map depicts the GRMC 46 mining claim, which is located in Section (s) 13, Township 19 N, Range 20 W, Gila and Salt River Base and Meridian, Mohave County, Arizona. Total claim acreage is 20

2. The type of corner and location monuments used are as follows: 2"X2"X50" wooden posts with metal tags or rock monument

3. The bearings and distances in degrees and feet between claim corners and to a public land survey monument are as depicted on the map.

4. If the claim is a placer or millsite claim with exterior limits conforming to legal subdivisions of the public survey, provide a legal description of the claim \_\_\_\_\_

Form MCF100a  
Revised July 2014

This form is available from the Arizona Geology Survey and may be reproduced.

AMC 448237

ZE

Gold Road Mining Corp.  
Suite 450, 1090 West Georgia Street  
Vancouver, BC V6E 3V7 Canada

FEE# 2017062226

OFFICIAL RECORDS  
OF MOHAVE COUNTY  
KRISTI BLAIR,  
COUNTY RECORDER



12/26/2017 02:27 PM Fee: \$10.00

PAGE: 1 of 2

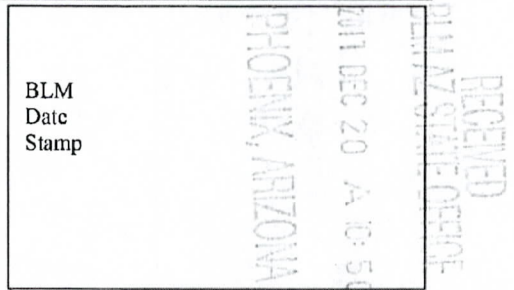
WHEN RECORDED MAIL TO (MC):

FENNEMORE CRAIG  
2394 EAST CAMELBACK RD  
SUITE 600  
PHOENIX AZ 85016

LOCATION NOTICE FOR LODE MINING CLAIM

Amendment BLM Serial # \_\_\_\_\_

NOTICE IS HEREBY GIVEN that the GRMC 47  
\_\_\_\_\_ lode mining claim has been located  
by Gold Road Mining Corp. whose current mailing  
address is Suite 450, 1090 West Georgia Street  
Vancouver, BC V6E 3V7 Canada



The general course of this claim is Northwest-Southeast and it is situated in Mohave  
County, Arizona. This claim is 1500 feet in length and 600 feet in width.

20 Total Claim Acreage. This claim runs from the location monument on which this location notice  
is posted on the centerline of the claim approximately 20 feet in a NW direction to the NW  
end line and 1480 feet in a SE direction to the SE end line. This claim is marked by six  
monuments, one at each corner and one at the center of each end line of the claim.

The location monument on which this notice is posted is situated within Section 13, Township 19  
N, Range 20 W, Gila Salt River Base and Meridian, Arizona and this claim encompasses portions  
of the following quarter section(s), section(s), Township(s) and Range(s) \_\_\_\_\_  
NE1/4 Sec.13 T19N R20W NW1/4 Sec.18 T19N R19W

Gila Salt River Base and Meridian, Arizona.

The locality of this claim with reference to some natural object or permanent monument and additional information  
(if any) concerning its locality are as follows: \_\_\_\_\_

1,167'W 938'S from NE corner Sec.13 T19N R20W to NW claim corner  
\_\_\_\_\_ The above information is shown on the attached map.

DATED AND POSTED on the ground this 18 day of October, 2017.

LOCATOR(s)  AGENT

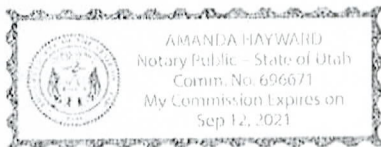
Print Name(s) Stuart Burgess

Signature(s) \_\_\_\_\_

State of Utah  
County of Salt Lake

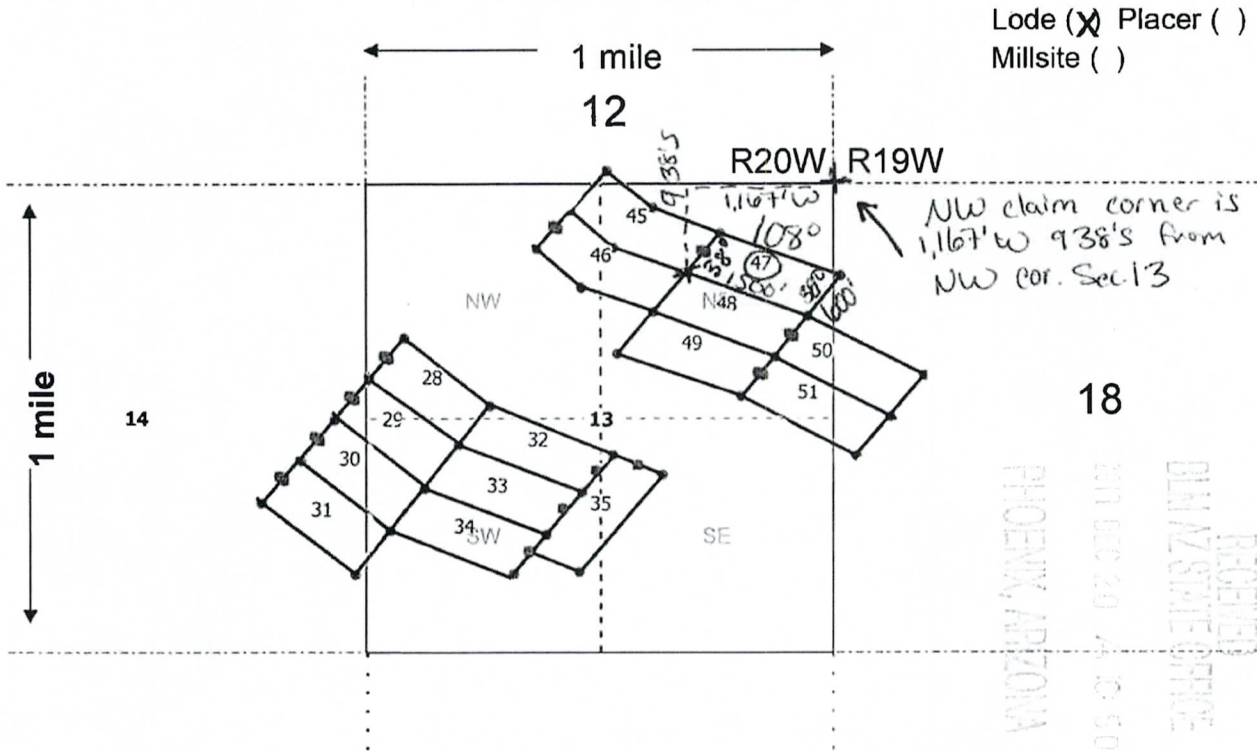
This instrument was signed and sworn to before me  
on 12/2/17 by Stuart Burgess  
(Name of signer)

AH  
(Notary Signature)  
[Affix seal/stamp to the left or below]



AMC 448238

**MINING CLAIM MAP**



Scale: 1" = 2000 feet



1. The above map depicts the GRMC 47 mining claim, which is located in Section (s) 13,18, Township 19 N, Range 20,19 W, Gila and Salt River Base and Meridian, Mohave County, Arizona. Total claim acreage is 20

2. The type of corner and location monuments used are as follows: 2"X2"X50" wooden posts with metal tags or rock monument

3. The bearings and distances in degrees and feet between claim corners and to a public land survey monument are as depicted on the map.

4. If the claim is a placer or millsite claim with exterior limits conforming to legal subdivisions of the public survey, provide a legal description of the claim \_\_\_\_\_

Form MCF100a  
Revised July 2014

This form is available from the Arizona Geology Survey and may be reproduced.

AMC448238

Gold Road Mining Corp.  
Suite 450, 1090 West Georgia Street  
Vancouver, BC V6E 3V7 Canada

**LOCATION NOTICE FOR LODE MINING CLAIM**

Amendment BLM Serial # \_\_\_\_\_

NOTICE IS HEREBY GIVEN that the GRMC 47  
\_\_\_\_\_ lode mining claim has been located  
by Gold Road Mining Corp. whose current mailing  
address is Suite 450, 1090 West Georgia Street  
Vancouver, BC V6E 3V7 Canada

BLM  
Date  
Stamp  
2017 DEC 20 A 10:50  
PHOENIX, ARIZONA  
BLM AZ STATE OFFICE

RECEIVED  
BLM AZ STATE OFFICE

The general course of this claim is Northwest-Southeast and it is situated in Mohave  
County, Arizona. This claim is 1500 feet in length and 600 feet in width.

20 Total Claim Acreage. This claim runs from the location monument on which this location notice  
is posted on the centerline of the claim approximately 20 feet in a NW direction to the NW  
end line and 1480 feet in a SE direction to the SE end line. This claim is marked by six  
monuments, one at each corner and one at the center of each end line of the claim.

The location monument on which this notice is posted is situated within Section 13, Township 19  
N, Range 20 W, Gila Salt River Base and Meridian, Arizona and this claim encompasses portions  
of the following quarter section(s), section(s), Township(s) and Range(s) \_\_\_\_\_  
NE1/4 Sec.13 T19N R20W NW1/4 Sec.18 T19N R19W

Gila Salt River Base and Meridian, Arizona.

The locality of this claim with reference to some natural object or permanent monument and additional information  
(if any) concerning its locality are as follows: \_\_\_\_\_

1,167'W 938'S from NE corner Sec.13 T19N R20W to NW claim corner

\_\_\_\_\_ The above information is shown on the attached map.

DATED AND POSTED on the ground this 18 day of October, 2017.

LOCATOR(s)  AGENT

Print Name(s) Stuart Burgess

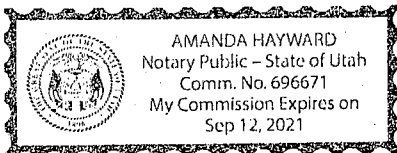
Signature(s) \_\_\_\_\_

State of Utah  
County of Salt Lake

This instrument was signed and sworn to before me  
on 12/2/17 by Stuart Burgess  
(Name of signer)

[Signature]  
(Notary Signature)

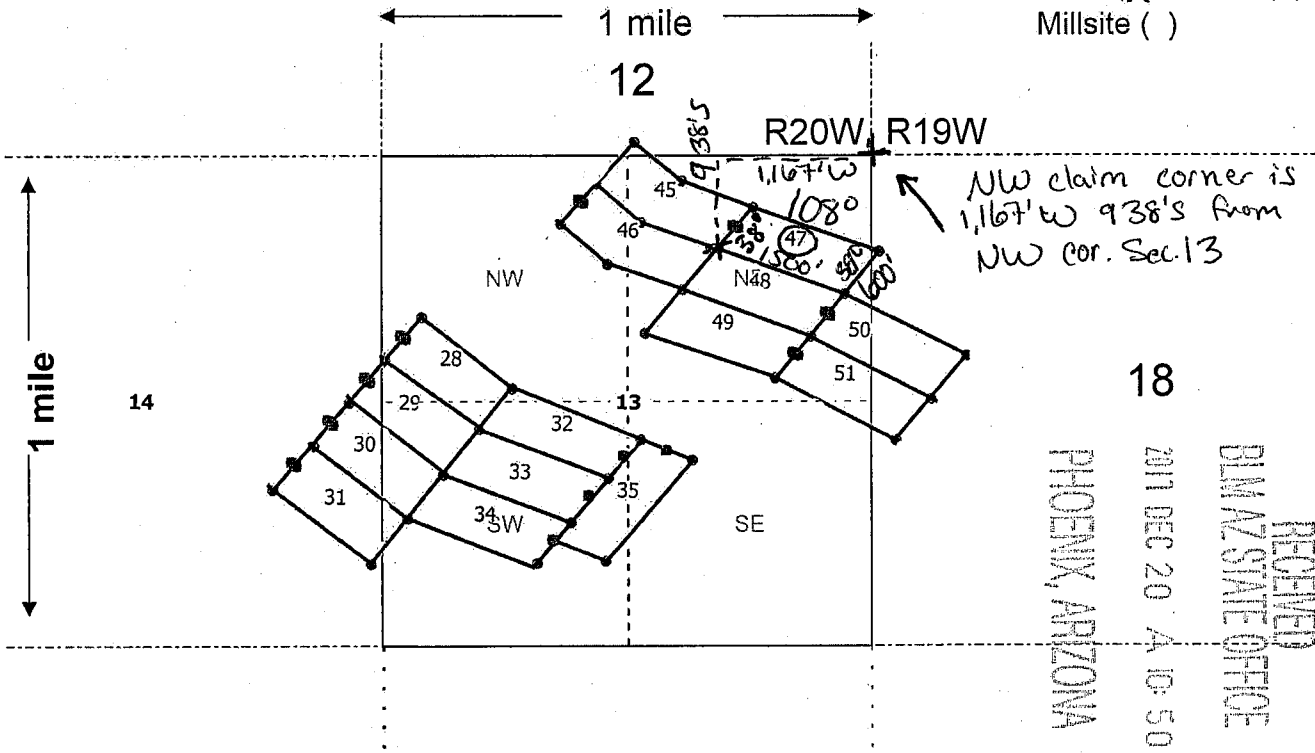
[Affix seal/stamp to the left or below]



AMC 448238

**MINING CLAIM MAP**

Lode (X) Placer ( )  
Millsite ( )



Scale: 1" = 2000 feet



1. The above map depicts the GRMC 47 mining claim, which is located in Section (s) 13,18, Township 19 N, Range 20,19 W, Gila and Salt River Base and Meridian, Mohave County, Arizona. Total claim acreage is 20

2. The type of corner and location monuments used are as follows: 2"X2"X50" wooden posts with metal tags or rock monument

3. The bearings and distances in degrees and feet between claim corners and to a public land survey monument are as depicted on the map.

4. If the claim is a placer or millsite claim with exterior limits conforming to legal subdivisions of the public survey, provide a legal description of the claim \_\_\_\_\_

Form MCF100a  
Revised July 2014

This form is available from the Arizona Geology Survey and may be reproduced.

AMC448238



2E

Gold Road Mining Corp.  
Suite 450, 1090 West Georgia Street  
Vancouver, BC V6E 3V7 Canada

**FEE# 2017062227**

OFFICIAL RECORDS  
OF MOHAVE COUNTY  
KRISTI BLAIR,  
COUNTY RECORDER



12/26/2017 02:27 PM Fee: \$10.00

PAGE: 1 of 2

WHEN RECORDED MAIL TO (MC):

FENNEMORE CRAIG  
2394 EAST CAMELBACK RD  
SUITE 600  
PHOENIX AZ 85016

**LOCATION NOTICE FOR LODE MINING CLAIM**

Amendment BLM Serial # \_\_\_\_\_

NOTICE IS HEREBY GIVEN that the GRMC 48  
\_\_\_\_\_ lode mining claim has been located  
by Gold Road Mining Corp. whose current mailing  
address is Suite 450, 1090 West Georgia Street  
Vancouver, BC V6E 3V7 Canada

BLM  
Date  
Stamp  
PHOENIX, ARIZONA  
2017 DEC 20 A.M. 10:10  
DEPT. OF THE INTERIOR  
PROVED

The general course of this claim is Northwest-Southeast and it is situated in Mohave  
County, Arizona. This claim is 1500 feet in length and 600 feet in width.

20 Total Claim Acreage. This claim runs from the location monument on which this location notice  
is posted on the centerline of the claim approximately 20 feet in a SE direction to the SE  
end line and 1480 feet in a NW direction to the NW end line. This claim is marked by six  
monuments, one at each corner and one at the center of each end line of the claim.

The location monument on which this notice is posted is situated within Section 13, Township 19  
N, Range 20 W, Gila Salt River Base and Meridian, Arizona and this claim encompasses portions  
of the following quarter section(s), section(s), Township(s) and Range(s) \_\_\_\_\_  
NE1/4 Sec.13 T19N R20W

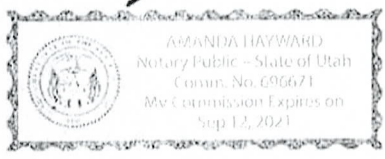
Gila Salt River Base and Meridian, Arizona.

The locality of this claim with reference to some natural object or permanent monument and additional information  
(if any) concerning its locality are as follows: \_\_\_\_\_

2,059'W 1,385'S from NE corner Sec.13 T19N R20W to NW claim corner  
\_\_\_\_\_ The above information is shown on the attached map.

DATED AND POSTED on the ground this 18 day of October, 2017.

LOCATOR(s)  AGENT  
Print Name(s) Stuart Burgess  
Signature(s) \_\_\_\_\_



State of Utah Salt Lake  
County of \_\_\_\_\_

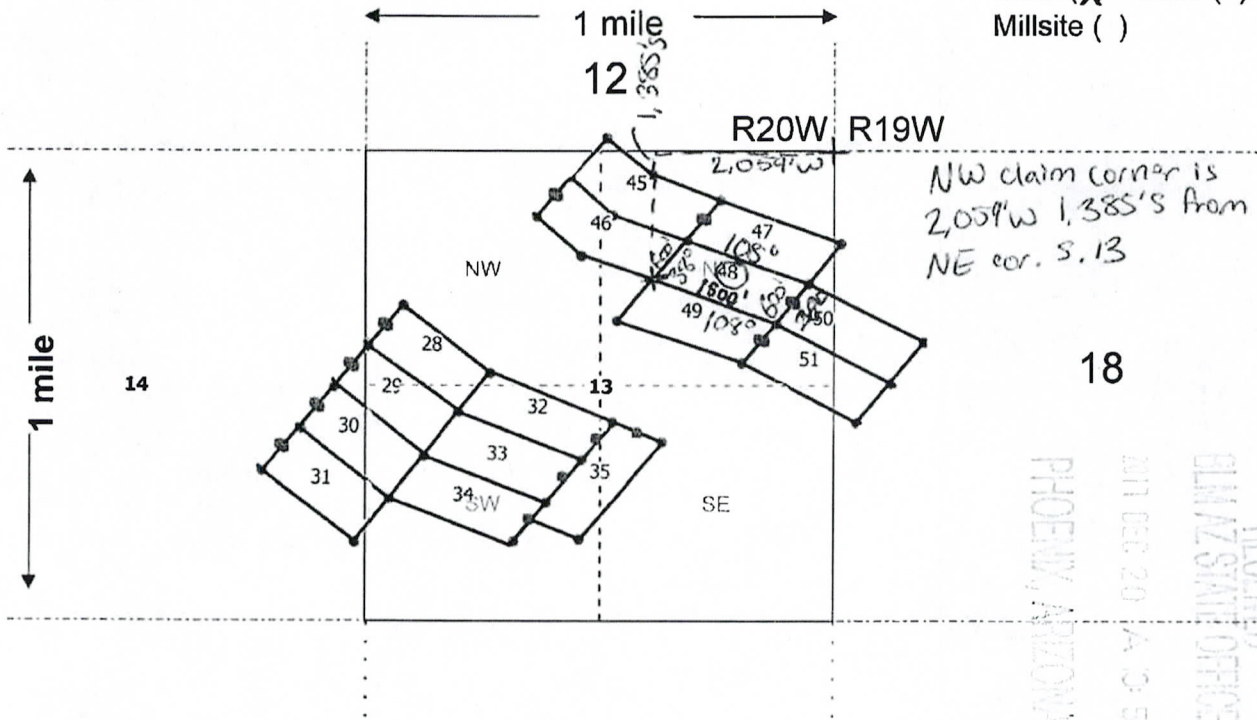
This instrument was signed and sworn to before me  
on 12/2/17 by Stuart Burgess  
(Name of signer)

AH  
(Notary Signature)  
[Affix seal/stamp to the left or below]

AMC448239

**MINING CLAIM MAP**

Lode (X) Placer ( )  
Millsite ( )



RECEIVED  
 GILMARTIN STATE OFFICE  
 PHOENIX, ARIZONA  
 2011 DEC 20 PM 3:50

Scale: 1" = 2000 feet



AMC 448239

1. The above map depicts the GRMC 48 mining claim, which is located in Section (s) 13, Township 19 N, Range 20 W, Gila and Salt River Base and Meridian, Mohave County, Arizona. Total claim acreage is 20
2. The type of corner and location monuments used are as follows: 2"X2"X50" wooden posts with metal tags or rock monument
3. The bearings and distances in degrees and feet between claim corners and to a public land survey monument are as depicted on the map.
4. If the claim is a placer or millsite claim with exterior limits conforming to legal subdivisions of the public survey, provide a legal description of the claim \_\_\_\_\_

Form MCF100a  
Revised July 2014

Gold Road Mining Corp.  
Suite 450, 1090 West Georgia Street  
Vancouver, BC V6E 3V7 Canada

**LOCATION NOTICE FOR LODE MINING CLAIM**

Amendment BLM Serial # \_\_\_\_\_

NOTICE IS HEREBY GIVEN that the GRMC 48  
\_\_\_\_\_ lode mining claim has been located  
by Gold Road Mining Corp. whose current mailing  
address is Suite 450, 1090 West Georgia Street  
Vancouver, BC V6E 3V7 Canada

BLM  
Date  
Stamp  
2011 DEC 20 A 10:50  
PHOENIX ARIZONA  
DIVISIONAL OFFICE

RECEIVED  
DIVISIONAL OFFICE

The general course of this claim is Northwest-Southeast and it is situated in Mohave  
County, Arizona. This claim is 1500 feet in length and 600 feet in width.

20 Total Claim Acreage. This claim runs from the location monument on which this location notice  
is posted on the centerline of the claim approximately 20 feet in a SE direction to the SE  
end line and 1480 feet in a NW direction to the NW end line. This claim is marked by six  
monuments, one at each corner and one at the center of each end line of the claim.

The location monument on which this notice is posted is situated within Section 13, Township 19  
N, Range 20 W, Gila Salt River Base and Meridian, Arizona and this claim encompasses portions  
of the following quarter section(s), section(s), Township(s) and Range(s) \_\_\_\_\_  
NE1/4 Sec.13 T19N R20W

Gila Salt River Base and Meridian, Arizona.

The locality of this claim with reference to some natural object or permanent monument and additional information  
(if any) concerning its locality are as follows: \_\_\_\_\_

2,059'W 1,385'S from NE corner Sec.13 T19N R20W to NW claim corner

\_\_\_\_\_ The above information is shown on the attached map.

DATED AND POSTED on the ground this 18 day of October, 2017.

LOCATOR(s)  AGENT

Print Name(s) Stuart Burgess

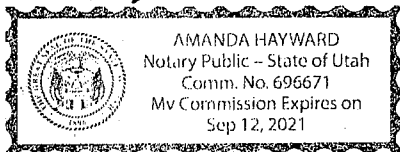
Signature(s) \_\_\_\_\_

State of Utah Salt Lake  
County of \_\_\_\_\_

This instrument was signed and sworn to before me  
on 12/2/17 by Stuart Burgess  
(Name of signer)

AH  
(Notary Signature)

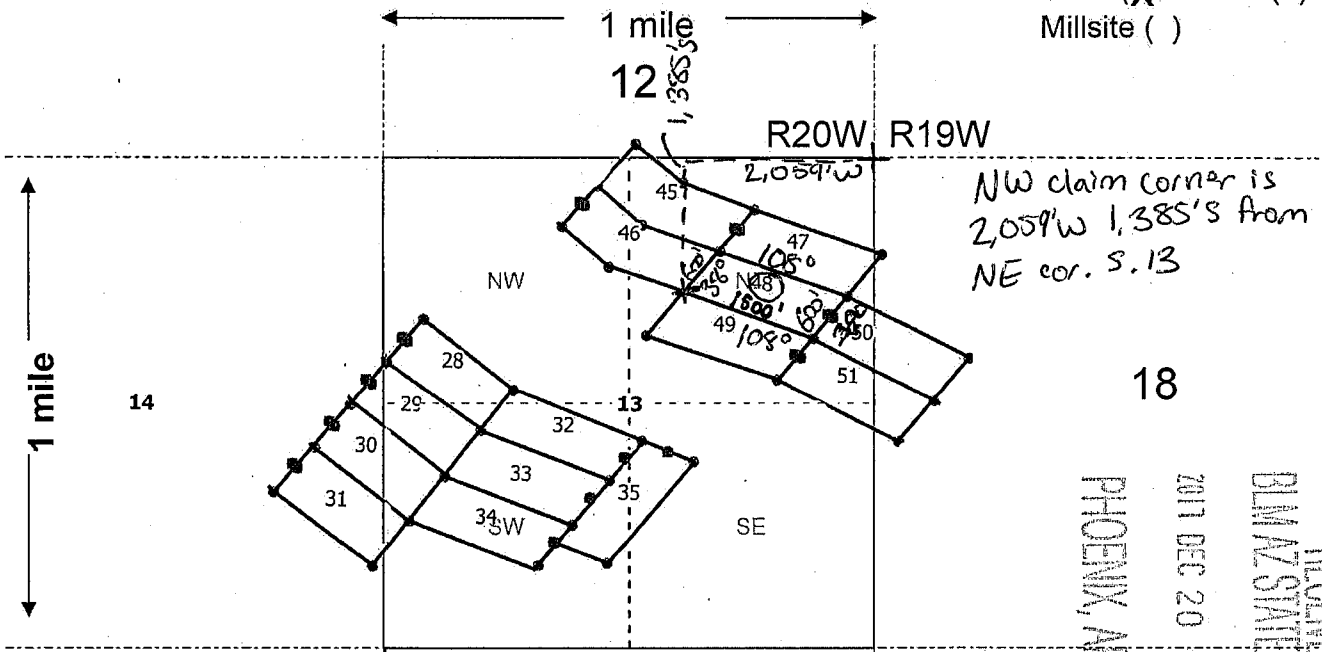
[Affix seal/stamp to the left or below]



AMC448239

**MINING CLAIM MAP**

Lode (X) Placer ( )  
Millsite ( )



RECEIVED  
 BLM AZONA OFFICE  
 2017 DEC 20 A 10:50  
 PHOENIX, ARIZONA

Scale: 1" = 2000 feet



1. The above map depicts the GRMC 48 mining claim, which is located in Section (s) 13, Township 19 N, Range 20 W, Gila and Salt River Base and Meridian, Mohave County, Arizona. Total claim acreage is 20

2. The type of corner and location monuments used are as follows: 2"X2"X50" wooden posts with metal tags or rock monument

3. The bearings and distances in degrees and feet between claim corners and to a public land survey monument are as depicted on the map.

4. If the claim is a placer or millsite claim with exterior limits conforming to legal subdivisions of the public survey, provide a legal description of the claim \_\_\_\_\_

Form MCF100a  
Revised July 2014

This form is available from the Arizona Geology Survey and may be reproduced.

AMC 448239

2E

Gold Road Mining Corp.  
Suite 450, 1090 West Georgia Street  
Vancouver, BC V6E 3V7 Canada

**FEE# 2017062228**

OFFICIAL RECORDS  
OF MOHAVE COUNTY  
KRISTI BLAIR,  
COUNTY RECORDER



12/26/2017 02:27 PM Fee: \$10.00

PAGE: 1 of 2

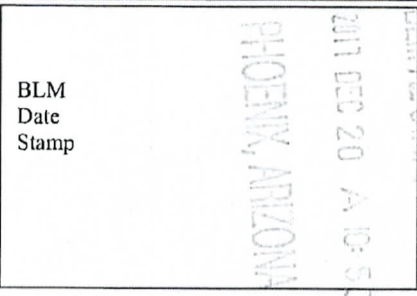
WHEN RECORDED MAIL TO (MC):

FENNEMORE CRAIG  
2394 EAST CAMELBACK RD  
SUITE 600  
PHOENIX AZ 85016

**LOCATION NOTICE FOR LODE MINING CLAIM**

Amendment BLM Serial # \_\_\_\_\_

NOTICE IS HEREBY GIVEN that the GRMC 49  
\_\_\_\_\_ lode mining claim has been located  
by Gold Road Mining Corp. whose current mailing  
address is Suite 450, 1090 West Georgia Street  
Vancouver, BC V6E 3V7 Canada



The general course of this claim is Northwest-Southeast and it is situated in Mohave  
County, Arizona. This claim is 1500 feet in length and 600 feet in width.

20 Total Claim Acreage. This claim runs from the location monument on which this location notice  
is posted on the centerline of the claim approximately 20 feet in a SE direction to the SE  
end line and 1480 feet in a NW direction to the NW end line. This claim is marked by six  
monuments, one at each corner and one at the center of each end line of the claim.

The location monument on which this notice is posted is situated within Section 13, Township 19  
N, Range 20 W, Gila Salt River Base and Meridian, Arizona and this claim encompasses portions  
of the following quarter section(s), section(s), Township(s) and Range(s) \_\_\_\_\_  
NE1/4 Sec.13 T19N R20W

Gila Salt River Base and Meridian, Arizona.

The locality of this claim with reference to some natural object or permanent monument and additional information  
(if any) concerning its locality are as follows: \_\_\_\_\_

2,468'W 1,861'S from NE corner Sec.13 T19N R20W to NW claim corner

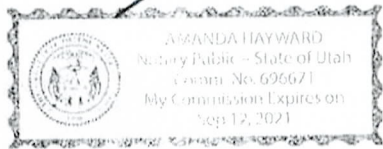
\_\_\_\_\_ The above information is shown on the attached map.

DATED AND POSTED on the ground this 18 day of October, 2017.

LOCATOR(s)  AGENT

Print Name(s) Stuart Burgess

Signature(s) \_\_\_\_\_



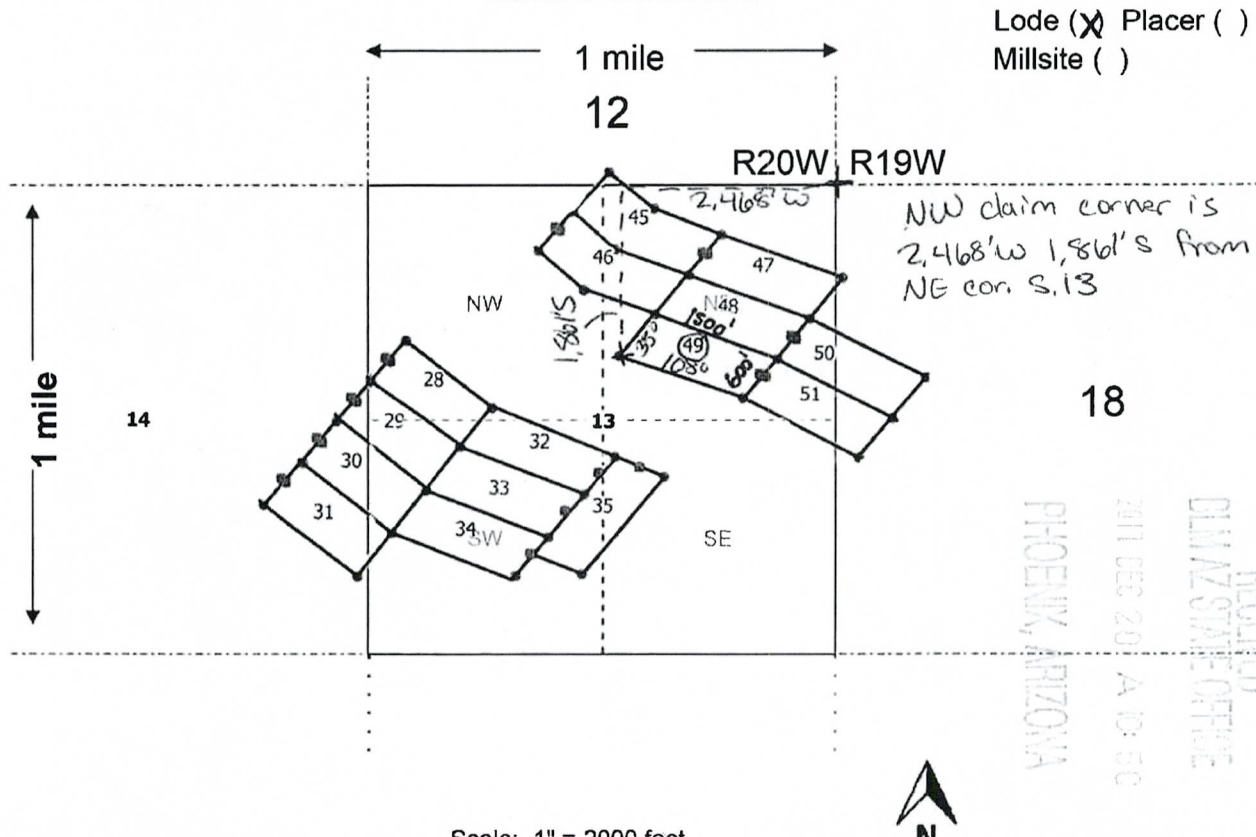
State of Utah  
County of Salt Lake

This instrument was signed and sworn to before me  
on 12/2/17 by Stuart Burgess  
(Name of signer)

AH  
(Notary Signature)  
[Affix seal/stamp to the left or below]

AMC448240

**MINING CLAIM MAP**



Scale: 1" = 2000 feet

1. The above map depicts the GRMC 49 mining claim, which is located in Section (s) 13, Township 19 N, Range 20 W, Gila and Salt River Base and Meridian, Mohave County, Arizona. Total claim acreage is 20
2. The type of corner and location monuments used are as follows: 2"X2"X50" wooden posts with metal tags or rock monument
3. The bearings and distances in degrees and feet between claim corners and to a public land survey monument are as depicted on the map.
4. If the claim is a placer or millsite claim with exterior limits conforming to legal subdivisions of the public survey, provide a legal description of the claim \_\_\_\_\_

Form MCF100a  
Revised July 2014

This form is available from the Arizona Geology Survey and may be reproduced.

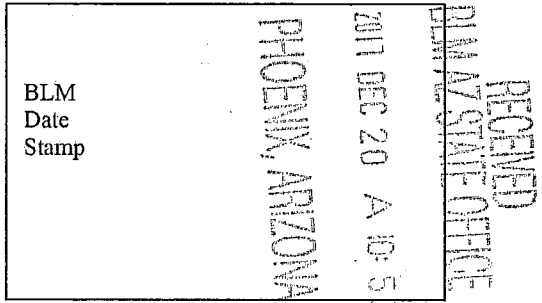
AMC 448240

Gold Road Mining Corp.  
Suite 450, 1090 West Georgia Street  
Vancouver, BC V6E 3V7 Canada

**LOCATION NOTICE FOR LODE MINING CLAIM**

Amendment BLM Serial # \_\_\_\_\_

NOTICE IS HEREBY GIVEN that the GRMC 49  
\_\_\_\_\_ lode mining claim has been located  
by Gold Road Mining Corp. whose current mailing  
address is Suite 450, 1090 West Georgia Street  
Vancouver, BC V6E 3V7 Canada



The general course of this claim is Northwest-Southeast and it is situated in Mohave  
County, Arizona. This claim is 1500 feet in length and 600 feet in width.

20 Total Claim Acreage. This claim runs from the location monument on which this location notice  
is posted on the centerline of the claim approximately 20 feet in a SE direction to the SE  
end line and 1480 feet in a NW direction to the NW end line. This claim is marked by six  
monuments, one at each corner and one at the center of each end line of the claim.

The location monument on which this notice is posted is situated within Section 13, Township 19  
N, Range 20 W, Gila Salt River Base and Meridian, Arizona and this claim encompasses portions  
of the following quarter section(s), section(s), Township(s) and Range(s) \_\_\_\_\_  
NE1/4 Sec.13 T19N R20W

Gila Salt River Base and Meridian, Arizona.

The locality of this claim with reference to some natural object or permanent monument and additional information  
(if any) concerning its locality are as follows: \_\_\_\_\_

2,468'W 1,861'S from NE corner Sec.13 T19N R20W to NW claim corner

\_\_\_\_\_ The above information is shown on the attached map.

DATED AND POSTED on the ground this 18 day of October, 2017.

LOCATOR(s)  AGENT

Print Name(s) Stuart Burgess

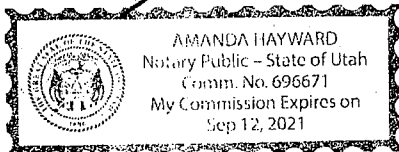
Signature(s) \_\_\_\_\_

State of Utah Salt Lake  
County of \_\_\_\_\_

This instrument was signed and sworn to before me  
on 12/12/17 by Stuart Burgess  
(Name of signer)

AH

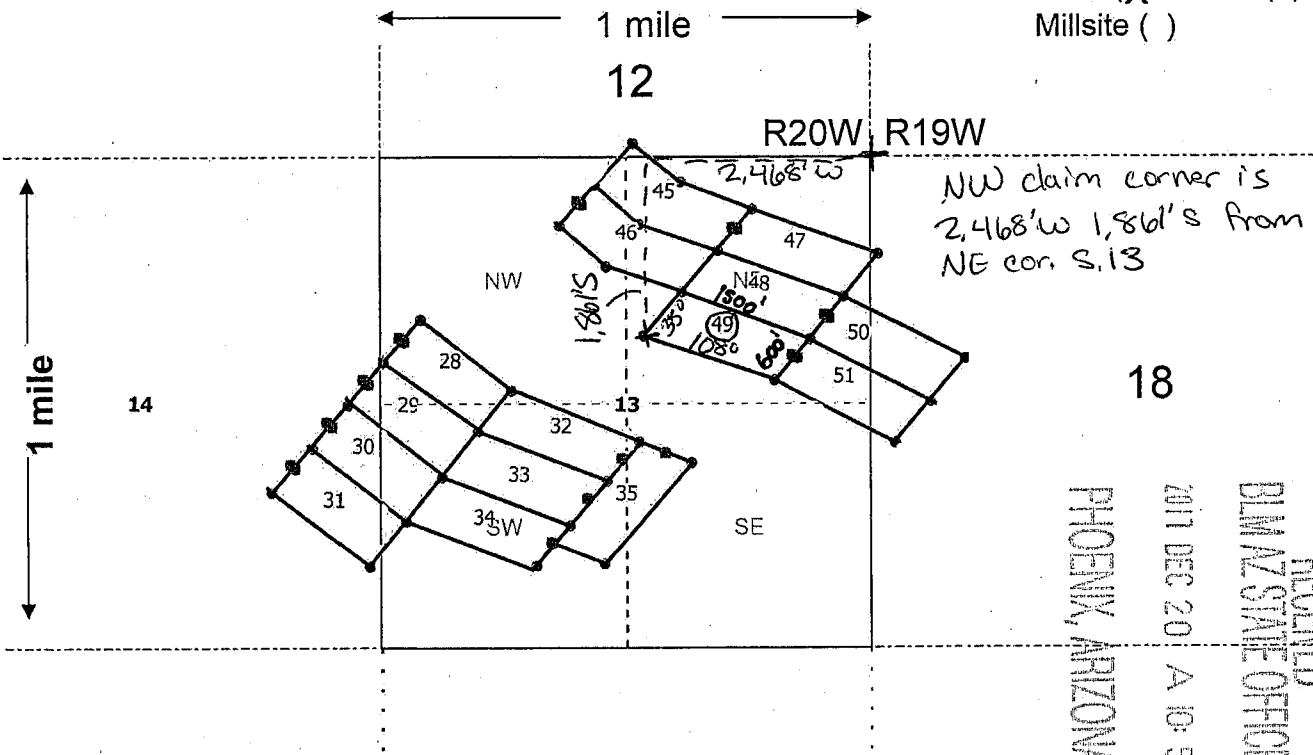
(Notary Signature)  
[Affix seal/stamp to the left or below]



AMC448240

**MINING CLAIM MAP**

Lode (X) Placer ( )  
Millsite ( )



RECEIVED  
 DIMAZ STATE OFFICE  
 2017 DEC 20 10:50  
 PHOENIX ARIZONA

Scale: 1" = 2000 feet

1. The above map depicts the GRMC 49 mining claim, which is located in Section (s) 13, Township 19 N, Range 20 W, Gila and Salt River Base and Meridian, Mohave County, Arizona. Total claim acreage is 20

2. The type of corner and location monuments used are as follows: 2"X2"X50" wooden posts with metal tags or rock monument

3. The bearings and distances in degrees and feet between claim corners and to a public land survey monument are as depicted on the map.

4. If the claim is a placer or millsite claim with exterior limits conforming to legal subdivisions of the public survey, provide a legal description of the claim \_\_\_\_\_

Form MCF100a  
Revised July 2014

This form is available from the Arizona Geology Survey and may be reproduced.

AMC448240



25

Gold Road Mining Corp.  
Suite 450, 1090 West Georgia Street  
Vancouver, BC V6E 3V7 Canada

**FEE# 2017062229**

OFFICIAL RECORDS  
OF MOHAVE COUNTY  
KRISTI BLAIR,  
COUNTY RECORDER



12/26/2017 02:27 PM Fee: \$10.00

PAGE: 1 of 2

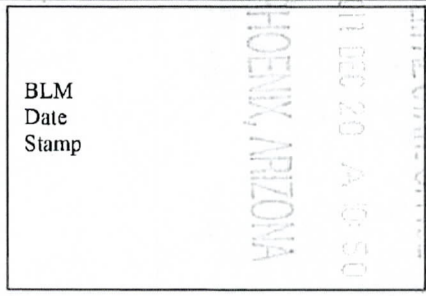
WHEN RECORDED MAIL TO (MC):

FENNEMORE CRAIG  
2394 EAST CAMELBACK RD  
SUITE 600  
PHOENIX AZ 85016

**LOCATION NOTICE FOR LODE MINING CLAIM**

Amendment BLM Serial # \_\_\_\_\_

NOTICE IS HEREBY GIVEN that the GRMC 50  
\_\_\_\_\_ lode mining claim has been located  
by Gold Road Mining Corp. whose current mailing  
address is Suite 450, 1090 West Georgia Street  
Vancouver, BC V6E 3V7 Canada



RECEIVED  
D.M. AZ STATE OFFICE

The general course of this claim is Northwest-Southeast and it is situated in Mohave  
County, Arizona. This claim is 1500 feet in length and 600 feet in width.

20 Total Claim Acreage. This claim runs from the location monument on which this location notice  
is posted on the centerline of the claim approximately 20 feet in a NW direction to the NW  
end line and 1480 feet in a SE direction to the SE end line. This claim is marked by six  
monuments, one at each corner and one at the center of each end line of the claim.

The location monument on which this notice is posted is situated within Section 13, Township 19  
N, Range 20 W, Gila Salt River Base and Meridian, Arizona and this claim encompasses portions  
of the following quarter section(s), section(s), Township(s) and Range(s) \_\_\_\_\_  
NE1/4 Sec.13 T19N R20W, NW1/4 Sec.18 T19N R19W

Gila Salt River Base and Meridian, Arizona.

The locality of this claim with reference to some natural object or permanent monument and additional information  
(if any) concerning its locality are as follows: \_\_\_\_\_

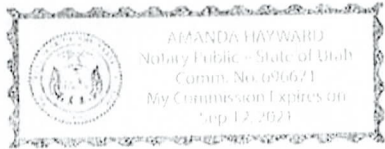
662'W 1,858'S from NE corner Sec.13 T19N R20W to NW claim corner  
\_\_\_\_\_ The above information is shown on the attached map.

DATED AND POSTED on the ground this 18 day of October, 2017.

LOCATOR(s)  AGENT  
Print Name(s) Stuart Burgess  
Signature(s) \_\_\_\_\_

State of Utah  
County of Salt Lake

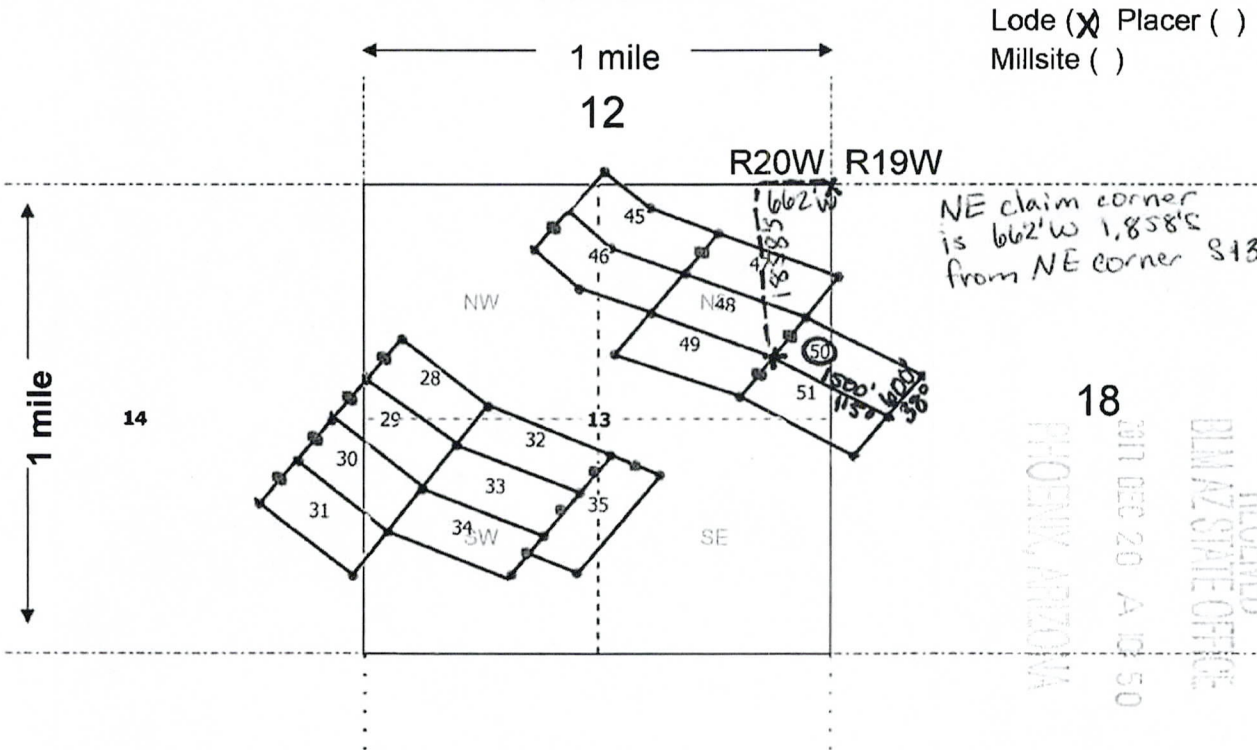
This instrument was signed and sworn to before me  
on 12/2/17 by Stuart Burgess  
(Name of signer)



\_\_\_\_\_  
(Notary Signature)  
[Affix seal/stamp to the left or below]

AMC448241

**MINING CLAIM MAP**



1. The above map depicts the GRMC 50 mining claim, which is located in Section (s) 13, 18, Township 19 N, Range 19, 20 W, Gila and Salt River Base and Meridian, Mohave County, Arizona. Total claim acreage is 20

2. The type of corner and location monuments used are as follows: 2"X2"X50" wooden posts with metal tags or rock monument

3. The bearings and distances in degrees and feet between claim corners and to a public land survey monument are as depicted on the map.

4. If the claim is a placer or millsite claim with exterior limits conforming to legal subdivisions of the public survey, provide a legal description of the claim \_\_\_\_\_

Form MCF100a  
Revised July 2014

This form is available from the Arizona Geology Survey and may be reproduced.

AHC448241

Gold Road Mining Corp.  
Suite 450, 1090 West Georgia Street  
Vancouver, BC V6E 3V7 Canada

**LOCATION NOTICE FOR LODE MINING CLAIM**

Amendment BLM Serial # \_\_\_\_\_

NOTICE IS HEREBY GIVEN that the GRMC 50  
\_\_\_\_\_ lode mining claim has been located  
by Gold Road Mining Corp. whose current mailing  
address is Suite 450, 1090 West Georgia Street  
Vancouver, BC V6E 3V7 Canada

BLM  
Date  
Stamp  
2017 DEC 20 A 10:50  
MOHAVE, ARIZONA  
BLM AZ STATE OFFICE

RECEIVED  
BLM AZ STATE OFFICE

The general course of this claim is Northwest-Southeast and it is situated in Mohave  
County, Arizona. This claim is 1500 feet in length and 600 feet in width.

20 Total Claim Acreage. This claim runs from the location monument on which this location notice  
is posted on the centerline of the claim approximately 20 feet in a NW direction to the NW  
end line and 1480 feet in a SE direction to the SE end line. This claim is marked by six  
monuments, one at each corner and one at the center of each end line of the claim.

The location monument on which this notice is posted is situated within Section 13, Township 19  
N, Range 20 W, Gila Salt River Base and Meridian, Arizona and this claim encompasses portions  
of the following quarter section(s), section(s), Township(s) and Range(s) \_\_\_\_\_  
NE1/4 Sec.13 T19N R20W, NW1/4 Sec.18 T19N R19W

Gila Salt River Base and Meridian, Arizona.

The locality of this claim with reference to some natural object or permanent monument and additional information  
(if any) concerning its locality are as follows: \_\_\_\_\_

662'W 1,858'S from NE corner Sec.13 T19N R20W to NW claim corner

\_\_\_\_\_ The above information is shown on the attached map.

DATED AND POSTED on the ground this 18 day of October, 2017.

LOCATOR(s)  AGENT

Print Name(s) Stuart Burgess

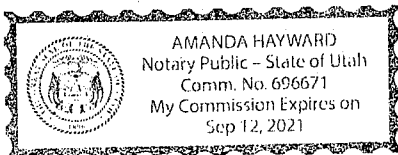
Signature(s) \_\_\_\_\_

State of Utah  
County of Salt Lake

This instrument was signed and sworn to before me  
on 12/2/17 by Stuart Burgess  
(Name of signer)

AMH  
(Notary Signature)

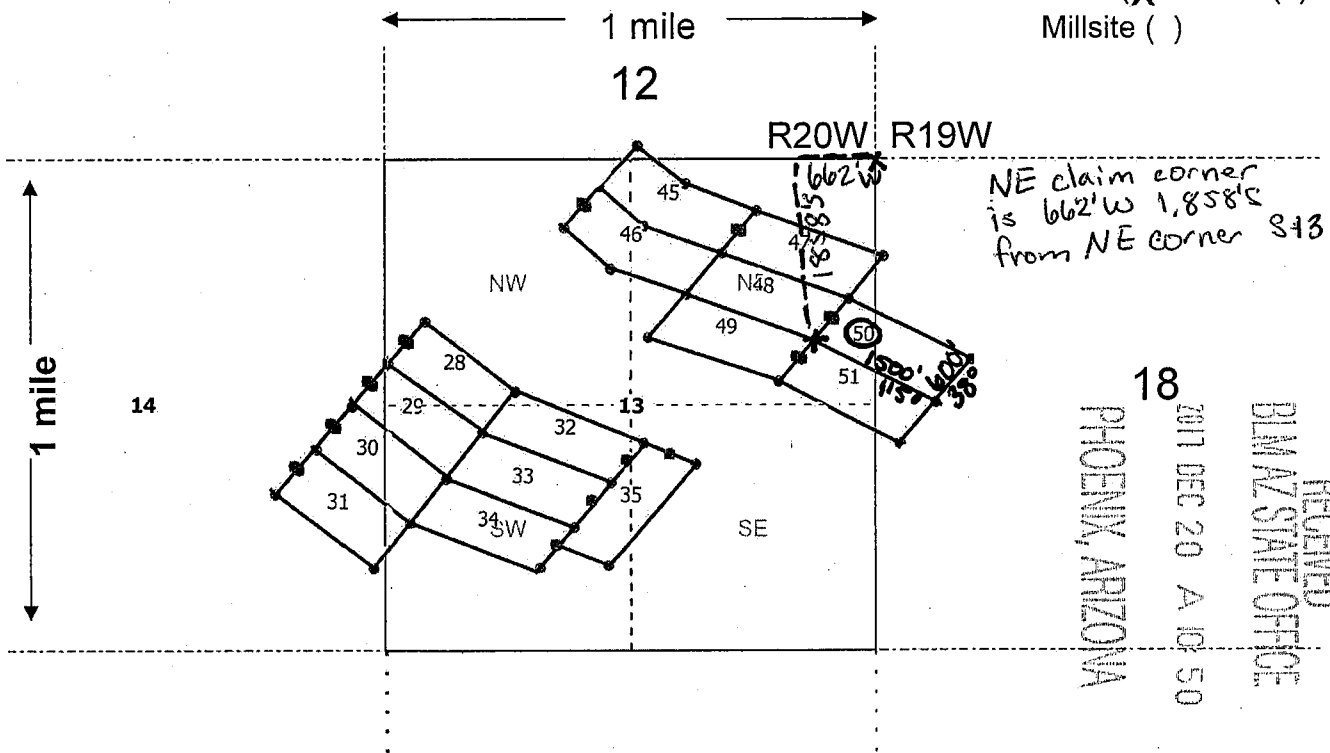
[Affix seal/stamp to the left or below]



AMC448241

**MINING CLAIM MAP**

Lode (X) Placer ( )  
Millsite ( )



18  
2011 DEC 20 A 10:50  
RECEIVED  
BLM AZ STATE OFFICE  
PHOENIX, ARIZONA

Scale: 1" = 2000 feet



- The above map depicts the GRMC 50 mining claim, which is located in Section (s) 13,18, Township 19 N, Range 19,20 W, Gila and Salt River Base and Meridian, Mohave County, Arizona. Total claim acreage is 20
- The type of corner and location monuments used are as follows: 2"X2"X50" wooden posts with metal tags or rock monument
- The bearings and distances in degrees and feet between claim corners and to a public land survey monument are as depicted on the map.
- If the claim is a placer or millsite claim with exterior limits conforming to legal subdivisions of the public survey, provide a legal description of the claim \_\_\_\_\_

AMC 448241

Form MCF100a  
Revised July 2014

This form is available from the Arizona Geology Survey and may be reproduced.

2E

Gold Road Mining Corp.  
Suite 450, 1090 West Georgia Street  
Vancouver, BC V6E 3V7 Canada

**FEE# 2017062230**

OFFICIAL RECORDS  
OF MOHAVE COUNTY  
KRISTI BLAIR,  
COUNTY RECORDER



12/26/2017 02:27 PM Fee: \$10.00

PAGE: 1 of 2

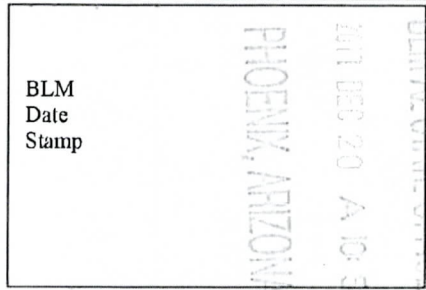
WHEN RECORDED MAIL TO (MC):

FENNEMORE CRAIG  
2394 EAST CAMELBACK RD  
SUITE 600  
PHOENIX AZ 85016

**LOCATION NOTICE FOR LODE MINING CLAIM**

Amendment BLM Serial # \_\_\_\_\_

NOTICE IS HEREBY GIVEN that the GRMC 51  
\_\_\_\_\_ lode mining claim has been located  
by Gold Road Mining Corp. whose current mailing  
address is Suite 450, 1090 West Georgia Street  
Vancouver, BC V6E 3V7 Canada



RECEIVED  
DATA ACQUISITION OFFICE  
DEPT. OF THE INTERIOR

The general course of this claim is Northwest-Southeast and it is situated in Mohave  
County, Arizona. This claim is 1500 feet in length and 600 feet in width.

20 Total Claim Acreage. This claim runs from the location monument on which this location notice  
is posted on the centerline of the claim approximately 20 feet in a NW direction to the NW  
end line and 1480 feet in a SE direction to the SE end line. This claim is marked by six  
monuments, one at each corner and one at the center of each end line of the claim.

The location monument on which this notice is posted is situated within Section 13, Township 19  
N, Range 20 W, Gila Salt River Base and Meridian, Arizona and this claim encompasses portions  
of the following quarter section(s), section(s), Township(s) and Range(s) \_\_\_\_\_  
NE1/4 SE1/4 Sec.13 T19N R20W, NW1/4, SW1/4 Sec.18 T19N R19W

Gila Salt River Base and Meridian, Arizona.

The locality of this claim with reference to some natural object or permanent monument and additional information  
(if any) concerning its locality are as follows: \_\_\_\_\_

1,050'S 2,310'S from NE corner Sec.13 T19N R20W to NW claim corner

\_\_\_\_\_ The above information is shown on the attached map.

DATED AND POSTED on the ground this 18 day of October, 2017.

LOCATOR(s)  AGENT

Print Name(s) Stuart Burgess

Signature(s) \_\_\_\_\_

State of Utah  
County of Salt Lake

This instrument was signed and sworn to before me  
on 12/2/17 by Stuart Burgess  
(Name of signer)

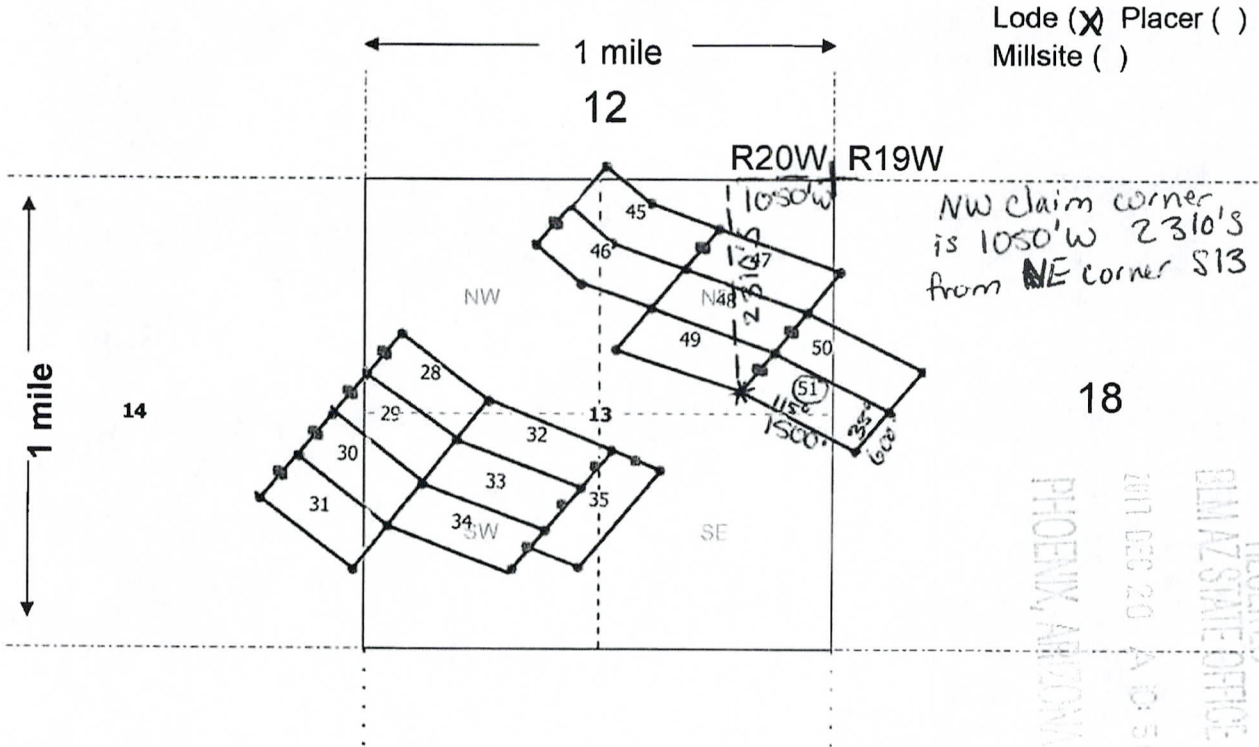
\_\_\_\_\_  
(Notary Signature)

[Affix seal/stamp to the left or below]



AMC448242

**MINING CLAIM MAP**



- The above map depicts the GRMC 51 mining claim, which is located in Section (s) 13,18, Township 19 N, Range 19,20 W, Gila and Salt River Base and Meridian, Mohave County, Arizona. Total claim acreage is 20
- The type of corner and location monuments used are as follows: 2"X2"X50" wooden posts with metal tags or rock monument
- The bearings and distances in degrees and feet between claim corners and to a public land survey monument are as depicted on the map.
- If the claim is a placer or millsite claim with exterior limits conforming to legal subdivisions of the public survey, provide a legal description of the claim \_\_\_\_\_

Form MCF100a  
Revised July 2014

This form is available from the **Arizona Geology Survey** and may be reproduced.

AMC448242

Gold Road Mining Corp.  
Suite 450, 1090 West Georgia Street  
Vancouver, BC V6E 3V7 Canada

**LOCATION NOTICE FOR LODE MINING CLAIM**

Amendment BLM Serial # \_\_\_\_\_

NOTICE IS HEREBY GIVEN that the GRMC 51  
\_\_\_\_\_ lode mining claim has been located  
by Gold Road Mining Corp. whose current mailing  
address is Suite 450, 1090 West Georgia Street  
Vancouver, BC V6E 3V7 Canada

BLM  
Date  
Stamp

RECEIVED  
BLM STATE OFFICE  
PHOENIX, ARIZONA  
2017 DEC 20 A 10:50

The general course of this claim is Northwest-Southeast and it is situated in Mohave  
County, Arizona. This claim is 1500 feet in length and 600 feet in width.

20 Total Claim Acreage. This claim runs from the location monument on which this location notice  
is posted on the centerline of the claim approximately 20 feet in a NW direction to the NW  
end line and 1480 feet in a SE direction to the SE end line. This claim is marked by six  
monuments, one at each corner and one at the center of each end line of the claim.

The location monument on which this notice is posted is situated within Section 13, Township 19  
N, Range 20 W, Gila Salt River Base and Meridian, Arizona and this claim encompasses portions  
of the following quarter section(s), section(s), Township(s) and Range(s) \_\_\_\_\_  
NE1/4 SE1/4 Sec.13 T19N R20W, NW1/4, SW1/4 Sec.18 T19N R19W

Gila Salt River Base and Meridian, Arizona.

The locality of this claim with reference to some natural object or permanent monument and additional information  
(if any) concerning its locality are as follows: \_\_\_\_\_

1,050' <sup>W</sup> 2,310'S from NE corner Sec.13 T19N R20W to NW claim corner

\_\_\_\_\_ The above information is shown on the attached map.

DATED AND POSTED on the ground this 18 day of October, 2017.

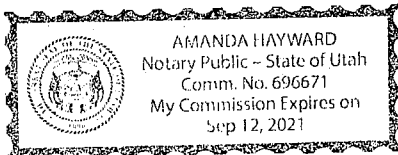
LOCATOR(s)  AGENT

Print Name(s) Stuart Burgess

Signature(s) \_\_\_\_\_

State of Utah  
County of Salt Lake

This instrument was signed and sworn to before me  
on 12/2/17 by Stuart Burgess  
(Name of signer)

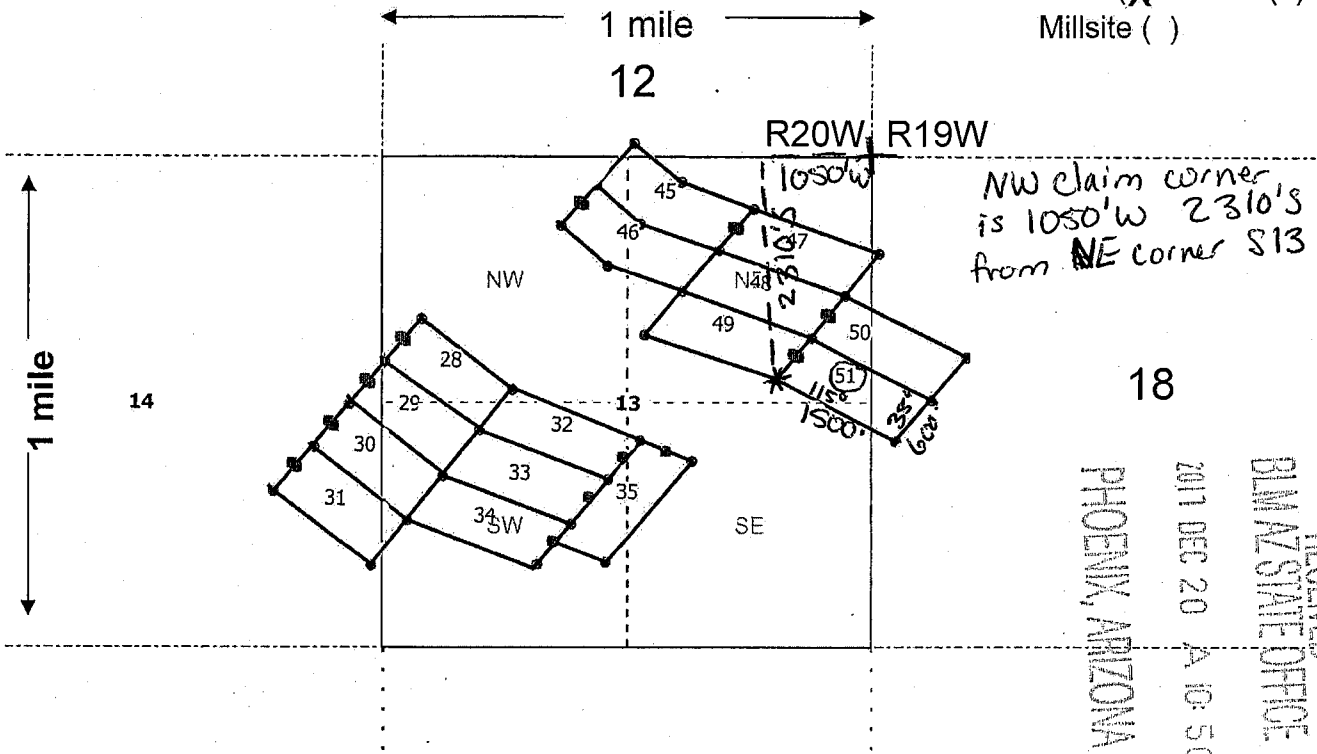


\_\_\_\_\_  
(Notary Signature)  
[Affix seal/stamp to the left or below]

AMC448242

**MINING CLAIM MAP**

Lode (X) Placer ( )  
Millsite ( )



RECEIVED  
 BLM AZ STATE OFFICE  
 2011 DEC 20 4:10:50  
 PHOENIX, ARIZONA

Scale: 1" = 2000 feet

- The above map depicts the GRMC 51 mining claim, which is located in Section (s) 13, 18, Township 19 N, Range 19, 20 W, Gila and Salt River Base and Meridian, Mohave County, Arizona. Total claim acreage is 20
- The type of corner and location monuments used are as follows: 2"X2"X50" wooden posts with metal tags or rock monument
- The bearings and distances in degrees and feet between claim corners and to a public land survey monument are as depicted on the map.
- If the claim is a placer or millsite claim with exterior limits conforming to legal subdivisions of the public survey, provide a legal description of the claim \_\_\_\_\_

AMC 448242

Form MCF100a  
Revised July 2014



2E

Gold Road Mining Corp.  
Suite 450, 1090 West Georgia Street  
Vancouver, BC V6E 3V7 Canada

**FEE# 2017062231**

OFFICIAL RECORDS  
OF MOHAVE COUNTY  
KRISTI BLAIR,  
COUNTY RECORDER



12/26/2017 02:27 PM Fee: \$10.00

PAGE: 1 of 2

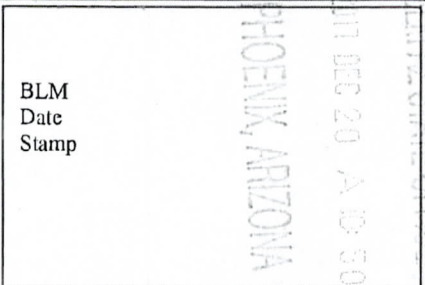
WHEN RECORDED MAIL TO (MC):

FENNEMORE CRAIG  
2394 EAST CAMELBACK RD  
SUITE 600  
PHOENIX AZ 85016

**LOCATION NOTICE FOR LODE MINING CLAIM**

Amendment BLM Serial # \_\_\_\_\_

NOTICE IS HEREBY GIVEN that the GRMC 52  
\_\_\_\_\_ lode mining claim has been located  
by Gold Road Mining Corp. whose current mailing  
address is Suite 450, 1090 West Georgia Street  
Vancouver, BC V6E 3V7 Canada



RECEIVED  
PHOENIX, ARIZONA  
JUN DEC 20 A.D. 50

The general course of this claim is Northwest-Southeast and it is situated in Mohave  
County, Arizona. This claim is 1500 feet in length and 600 feet in width.

20 Total Claim Acreage. This claim runs from the location monument on which this location notice  
is posted on the centerline of the claim approximately 20 feet in a SE direction to the SE  
end line and 1480 feet in a NW direction to the NW end line. This claim is marked by six  
monuments, one at each corner and one at the center of each end line of the claim.

The location monument on which this notice is posted is situated within Section 18, Township 19  
N, Range 19 W, Gila Salt River Base and Meridian, Arizona and this claim encompasses portions  
of the following quarter section(s), section(s), Township(s) and Range(s) \_\_\_\_\_  
NW1/4, SW1/4 Sec.18 T19N R19W

Gila Salt River Base and Meridian, Arizona.

The locality of this claim with reference to some natural object or permanent monument and additional information  
(if any) concerning its locality are as follows: \_\_\_\_\_  
259'E 2,965'S from NW corner Sec.18 T19N R19W to NW claim corner

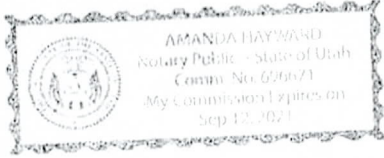
\_\_\_\_\_ The above information is shown on the attached map.

DATED AND POSTED on the ground this 18 day of October, 2017.

LOCATOR(s)  AGENT  
Print Name(s) Stuart Burgess  
Signature(s) \_\_\_\_\_

State of Utah  
County of Salt Lake

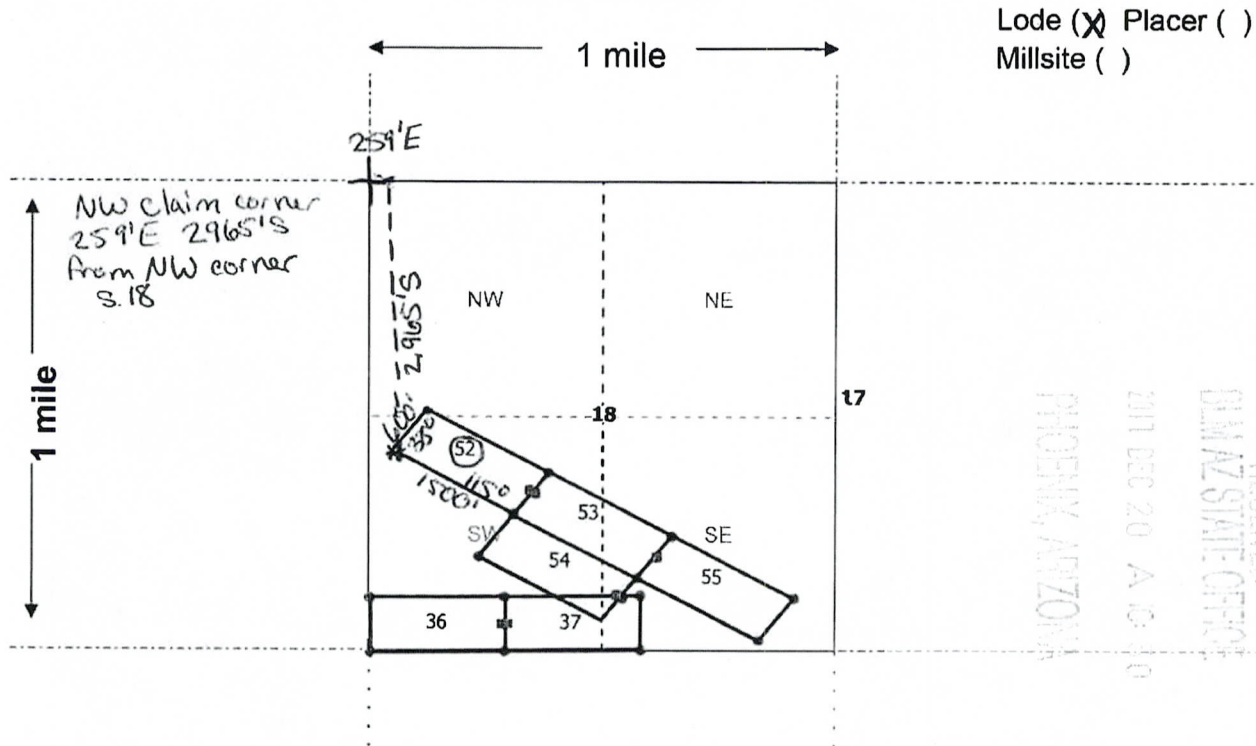
This instrument was signed and sworn to before me  
on 12/2/17 by Stuart Burgess  
(Name of signer)



AMH  
(Notary Signature)  
[Affix seal/stamp to the left or below]

AMC448243

**MINING CLAIM MAP**



- Scale: 1" = 2000 feet
1. The above map depicts the GRMC 52 mining claim, which is located in Section (s) 18, Township 19 N, Range 19 W, Gila and Salt River Base and Meridian, Mohave County, Arizona. Total claim acreage is 20
2. The type of corner and location monuments used are as follows: 2"X2"X50" wooden posts with metal tags or rock monument
3. The bearings and distances in degrees and feet between claim corners and to a public land survey monument are as depicted on the map.
4. If the claim is a placer or millsite claim with exterior limits conforming to legal subdivisions of the public survey, provide a legal description of the claim \_\_\_\_\_

AMC448243

Form MCF100a  
Revised July 2014

This form is available from the Arizona Geology Survey and may be reproduced.

Gold Road Mining Corp.  
Suite 450, 1090 West Georgia Street  
Vancouver, BC V6E 3V7 Canada

LOCATION NOTICE FOR LODE MINING CLAIM

Amendment BLM Serial # \_\_\_\_\_

NOTICE IS HEREBY GIVEN that the GRMC 52  
\_\_\_\_\_ lode mining claim has been located  
by Gold Road Mining Corp. whose current mailing  
address is Suite 450, 1090 West Georgia Street  
Vancouver, BC V6E 3V7 Canada

BLM  
Date  
Stamp  
PHOENIX ARIZONA  
DEC 20 10:50  
BLM STATE OFFICE

RECEIVED  
BLM STATE OFFICE  
PHOENIX ARIZONA

The general course of this claim is Northwest-Southeast and it is situated in Mohave  
County, Arizona. This claim is 1500 feet in length and 600 feet in width.

20 Total Claim Acreage. This claim runs from the location monument on which this location notice  
is posted on the centerline of the claim approximately 20 feet in a SE direction to the SE  
end line and 1480 feet in a NW direction to the NW end line. This claim is marked by six  
monuments, one at each corner and one at the center of each end line of the claim.

The location monument on which this notice is posted is situated within Section 18, Township 19  
N, Range 19 W, Gila Salt River Base and Meridian, Arizona and this claim encompasses portions  
of the following quarter section(s), section(s), Township(s) and Range(s) \_\_\_\_\_  
NW1/4, SW1/4 Sec.18 T19N R19W

Gila Salt River Base and Meridian, Arizona.

The locality of this claim with reference to some natural object or permanent monument and additional information  
(if any) concerning its locality are as follows: \_\_\_\_\_

259'E 2,965'S from NW corner Sec.18 T19N R19W to NW claim corner

\_\_\_\_\_ The above information is shown on the attached map.

DATED AND POSTED on the ground this 18 day of October, 2017.

LOCATOR(s)  AGENT

Print Name(s) Stuart Burgess

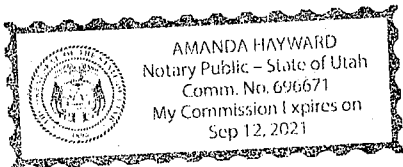
Signature(s) \_\_\_\_\_

State of Utah  
County of Salt Lake

This instrument was signed and sworn to before me  
on 12/2/17 by Stuart Burgess  
(Name of signer)

AMH  
(Notary Signature)

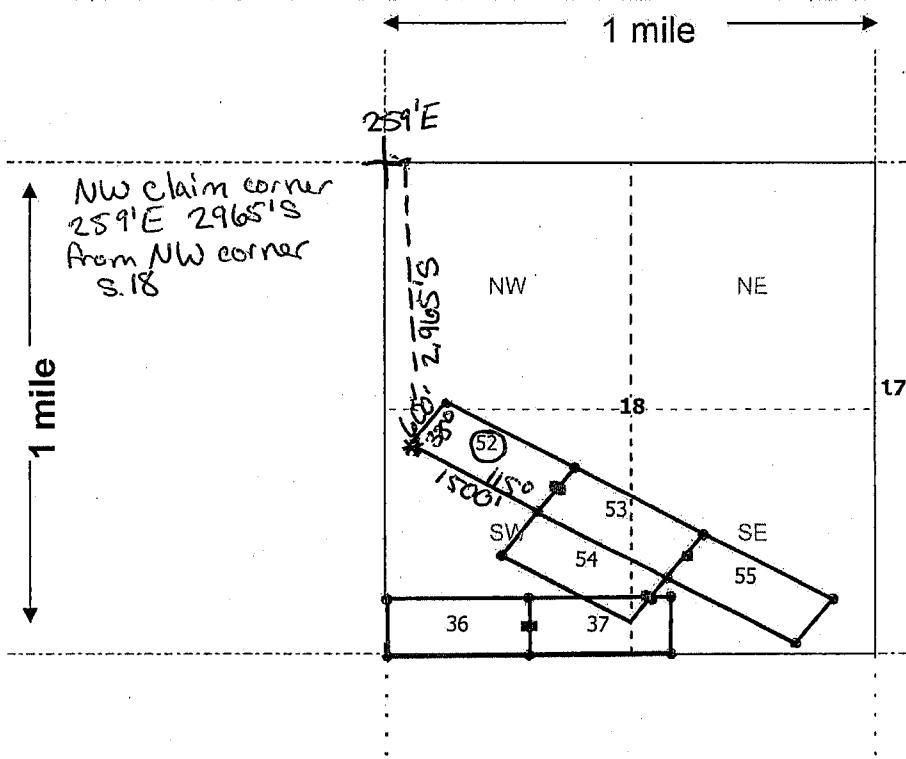
[Affix seal/stamp to the left or below]



AMC448243

**MINING CLAIM MAP**

Lode (X) Placer ( )  
Millsite ( )



RECEIVED  
 DLM AZ STATE OFFICE  
 PHOENIX, ARIZONA  
 2011 DEC 20 A 10:50

Scale: 1" = 2000 feet



- The above map depicts the GRMC 52 mining claim, which is located in Section (s) 18, Township 19 N, Range 19 W, Gila and Salt River Base and Meridian, Mohave County, Arizona. Total claim acreage is 20
- The type of corner and location monuments used are as follows: 2"X2"X50" wooden posts with metal tags or rock monument
- The bearings and distances in degrees and feet between claim corners and to a public land survey monument are as depicted on the map.
- If the claim is a placer or millsite claim with exterior limits conforming to legal subdivisions of the public survey, provide a legal description of the claim \_\_\_\_\_

AMC 448243

Form MCF100a  
Revised July 2014

2E

Gold Road Mining Corp.  
Suite 450, 1090 West Georgia Street  
Vancouver, BC V6E 3V7 Canada

**FEE# 2017062232**

OFFICIAL RECORDS  
OF MOHAVE COUNTY  
KRISTI BLAIR,  
COUNTY RECORDER



12/26/2017 02:27 PM Fee: \$10.00

PAGE: 1 of 2

WHEN RECORDED MAIL TO (MC):

FENNEMORE CRAIG  
2394 EAST CAMELBACK RD  
SUITE 600  
PHOENIX AZ 85016

**LOCATION NOTICE FOR LODE MINING CLAIM**

Amendment BLM Serial # \_\_\_\_\_  
NOTICE IS HEREBY GIVEN that the GRMC 53  
\_\_\_\_\_ lode mining claim has been located  
by Gold Road Mining Corp. whose current mailing  
address is Suite 450, 1090 West Georgia Street  
Vancouver, BC V6E 3V7 Canada

BLM  
Date  
Stamp  
PHOENIX, ARIZONA  
DEC 20 4 03 50  
RECEIVED  
COUNTY RECORDER  
MOHAVE COUNTY ARIZONA

The general course of this claim is Northwest-Southeast and it is situated in Mohave  
County, Arizona. This claim is 1500 feet in length and 600 feet in width.

20 Total Claim Acreage. This claim runs from the location monument on which this location notice  
is posted on the centerline of the claim approximately 20 feet in a NW direction to the NW  
end line and 1480 feet in a SE direction to the SE end line. This claim is marked by six  
monuments, one at each corner and one at the center of each end line of the claim.

The location monument on which this notice is posted is situated within Section 18, Township 19  
N, Range 19 W, Gila Salt River Base and Meridian, Arizona and this claim encompasses portions  
of the following quarter section(s), section(s), Township(s) and Range(s) \_\_\_\_\_  
SE1/4, SW1/4 Sec.18 T19N R19W

Gila Salt River Base and Meridian, Arizona.

The locality of this claim with reference to some natural object or permanent monument and additional information  
(if any) concerning its locality are as follows: \_\_\_\_\_

1,594'E 3,701'S from NW corner Sec.18 T19N R19W to NW claim corner

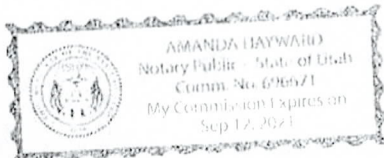
\_\_\_\_\_ The above information is shown on the attached map.

DATED AND POSTED on the ground this 18 day of October, 20 17.

LOCATOR(s)  AGENT  
Print Name(s) Stuart Burgess  
Signature(s) \_\_\_\_\_

State of Utah  
County of Salt Lake

This instrument was signed and sworn to before me  
on 12/2/17 by Stuart Burgess  
(Name of signer)

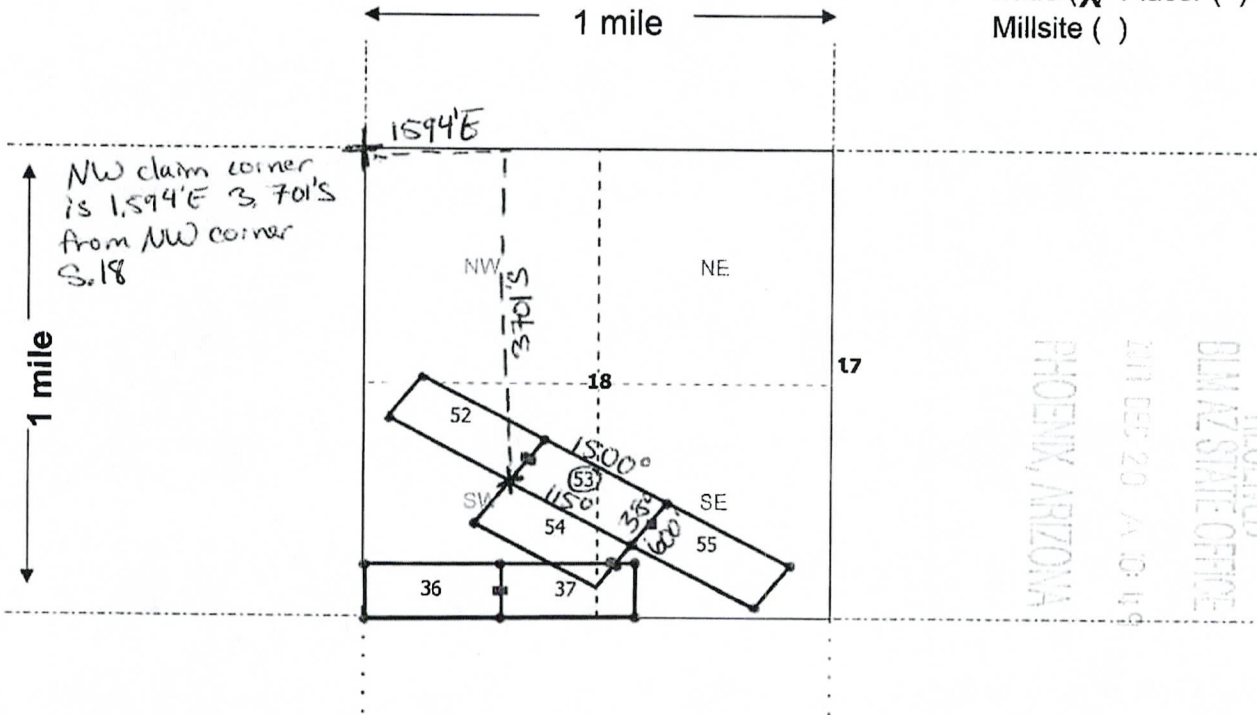


\_\_\_\_\_  
(Notary Signature)  
[Affix seal/stamp to the left or below]

AMC 448244

**MINING CLAIM MAP**

Lode (X) Placer ( )  
Millsite ( )



RECEIVED  
BLM AZ STATE OFFICE  
2017 DEC 20 AM 10:46  
PHOENIX, ARIZONA

Scale: 1" = 2000 feet



1. The above map depicts the GRMC 53 mining claim, which is located in Section (s) 18, Township 19 N, Range 19 W, Gila and Salt River Base and Meridian, Mohave County, Arizona. Total claim acreage is 20

2. The type of corner and location monuments used are as follows: 2"X2"X50" wooden posts with metal tags or rock monument

3. The bearings and distances in degrees and feet between claim corners and to a public land survey monument are as depicted on the map.

4. If the claim is a placer or millsite claim with exterior limits conforming to legal subdivisions of the public survey, provide a legal description of the claim \_\_\_\_\_

Form MCF100a  
Revised July 2014

This form is available from the **Arizona Geology Survey** and may be reproduced.

AMC 448244

Gold Road Mining Corp.  
Suite 450, 1090 West Georgia Street  
Vancouver, BC V6E 3V7 Canada

**LOCATION NOTICE FOR LODE MINING CLAIM**

Amendment BLM Serial # \_\_\_\_\_

NOTICE IS HEREBY GIVEN that the GRMC 53  
\_\_\_\_\_ lode mining claim has been located  
by Gold Road Mining Corp. whose current mailing  
address is Suite 450, 1090 West Georgia Street  
Vancouver, BC V6E 3V7 Canada

BLM  
Date  
Stamp  
PHOENIX ARIZONA  
DEC 20 10 50  
BLM STATE OFFICE

The general course of this claim is Northwest-Southeast and it is situated in Mohave  
County, Arizona. This claim is 1500 feet in length and 600 feet in width.

20 Total Claim Acreage. This claim runs from the location monument on which this location notice  
is posted on the centerline of the claim approximately 20 feet in a NW direction to the NW  
end line and 1480 feet in a SE direction to the SE end line. This claim is marked by six  
monuments, one at each corner and one at the center of each end line of the claim.

The location monument on which this notice is posted is situated within Section 18, Township 19  
N, Range 19 W, Gila Salt River Base and Meridian, Arizona and this claim encompasses portions  
of the following quarter section(s), section(s), Township(s) and Range(s) \_\_\_\_\_  
SE1/4, SW1/4 Sec.18 T19N R19W

Gila Salt River Base and Meridian, Arizona.

The locality of this claim with reference to some natural object or permanent monument and additional information  
(if any) concerning its locality are as follows: \_\_\_\_\_

1,594'E 3,701'S from NW corner Sec.18 T19N R19W to NW claim corner

\_\_\_\_\_ The above information is shown on the attached map.

DATED AND POSTED on the ground this 18 day of October, 20 17.

LOCATOR(s)  AGENT

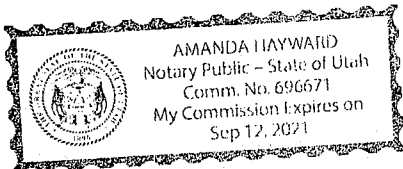
Print Name(s) Stuart Burgess

Signature(s) \_\_\_\_\_

State of Utah  
County of Salt Lake

This instrument was signed and sworn to before me  
on 12/2/17 by Stuart Burgess  
(Name of signer)

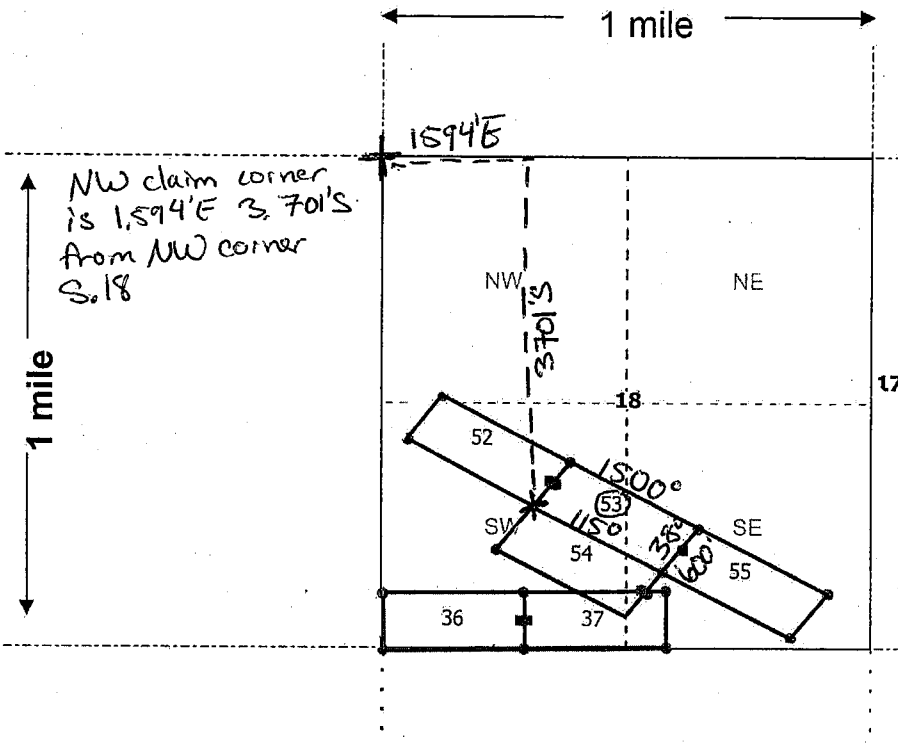
\_\_\_\_\_  
(Notary Signature)  
[Affix seal/stamp to the left or below]



AMC 448244

**MINING CLAIM MAP**

Lode (X) Placer ( )  
Millsite ( )



RECEIVED  
 DEPARTMENT OF  
 MINES AND METALS  
 PHOENIX, ARIZONA  
 2017 DEC 20 A 10:14

Scale: 1" = 2000 feet



1. The above map depicts the GRMC 53 mining claim, which is located in Section (s) 18, Township 19 N, Range 19 W, Gila and Salt River Base and Meridian, Mohave County, Arizona. Total claim acreage is 20

2. The type of corner and location monuments used are as follows: 2"X2"X50" wooden posts with metal tags or rock monument

3. The bearings and distances in degrees and feet between claim corners and to a public land survey monument are as depicted on the map.

4. If the claim is a placer or millsite claim with exterior limits conforming to legal subdivisions of the public survey, provide a legal description of the claim \_\_\_\_\_

Form MCF100a  
Revised July 2014

This form is available from the Arizona Geology Survey and may be reproduced.

AMC 448244



2E

Gold Road Mining Corp.  
Suite 450, 1090 West Georgia Street  
Vancouver, BC V6E 3V7 Canada

**FEE# 2017062233**

OFFICIAL RECORDS  
OF MOHAVE COUNTY  
KRISTI BLAIR,  
COUNTY RECORDER



12/26/2017 02:27 PM Fee: \$10.00

PAGE: 1 of 2

WHEN RECORDED MAIL TO (MC):

FENNEMORE CRAIG  
2394 EAST CAMELBACK RD  
SUITE 600  
PHOENIX AZ 85016

**LOCATION NOTICE FOR LODE MINING CLAIM**

Amendment BLM Serial # \_\_\_\_\_

NOTICE IS HEREBY GIVEN that the GRMC 54  
\_\_\_\_\_ lode mining claim has been located  
by Gold Road Mining Corp. whose current mailing  
address is Suite 450, 1090 West Georgia Street  
Vancouver, BC V6E 3V7 Canada

|       |
|-------|
| BLM   |
| Date  |
| Stamp |

PHOENIX, ARIZONA  
DEC 20 A 10:19  
RECEIVED  
BLM AZ STATE OFFICE

The general course of this claim is Northwest-Southeast and it is situated in Mohave  
County, Arizona. This claim is 1500 feet in length and 600 feet in width.

20 Total Claim Acreage. This claim runs from the location monument on which this location notice  
is posted on the centerline of the claim approximately 20 feet in a SE direction to the SE  
end line and 1480 feet in a NW direction to the NW end line. This claim is marked by six  
monuments, one at each corner and one at the center of each end line of the claim.

The location monument on which this notice is posted is situated within Section 18, Township 19  
N, Range 19 W, Gila Salt River Base and Meridian, Arizona and this claim encompasses portions  
of the following quarter section(s), section(s), Township(s) and Range(s) \_\_\_\_\_  
SE1/4, SW1/4 Sec. 18 T19N R19W

Gila Salt River Base and Meridian, Arizona.

The locality of this claim with reference to some natural object or permanent monument and additional information  
(if any) concerning its locality are as follows: \_\_\_\_\_

1,209'E 4,162'S from NW corner Sec. 18 T19N R19W to NW claim corner

\_\_\_\_\_ The above information is shown on the attached map.

DATED AND POSTED on the ground this 18 day of October, 2017.

LOCATOR(s)  AGENT

Print Name(s) Stuart Burgess

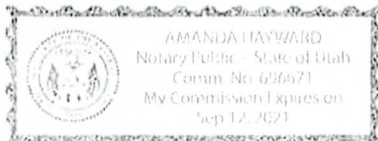
Signature(s) \_\_\_\_\_

State of Utah  
County of Salt Lake

This instrument was signed and sworn to before me  
on 12/21/17 by Stuart Burgess  
(Name of signer)

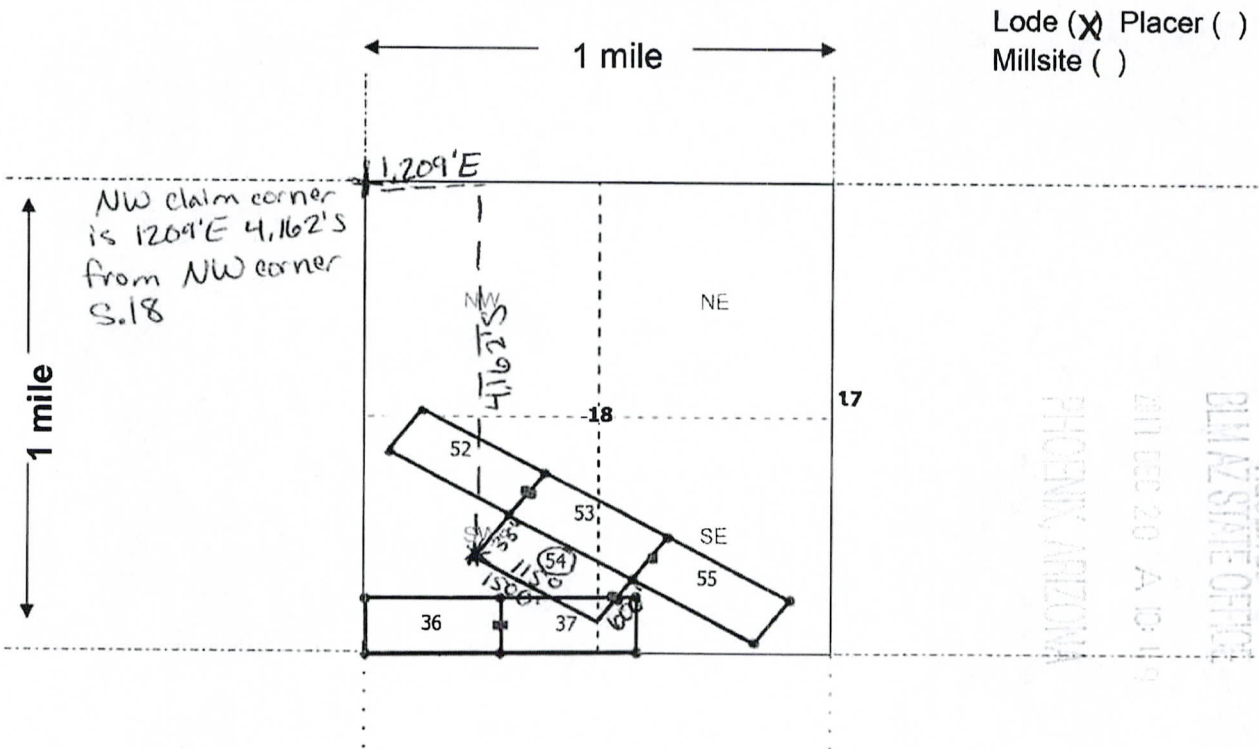
[Signature]  
(Notary Signature)

[Affix seal/stamp to the left or below]



AMC 448245

**MINING CLAIM MAP**



Lode (X) Placer ( )  
Millsite ( )



1. The above map depicts the GRMC 54 mining claim, which is located in Section (s) 18, Township 19 N, Range 19 W, Gila and Salt River Base and Meridian, Mohave County, Arizona. Total claim acreage is 20

2. The type of corner and location monuments used are as follows: 2"X2"X50" wooden posts with metal tags or rock monument

3. The bearings and distances in degrees and feet between claim corners and to a public land survey monument are as depicted on the map.

4. If the claim is a placer or millsite claim with exterior limits conforming to legal subdivisions of the public survey, provide a legal description of the claim \_\_\_\_\_

Form MCF100a  
Revised July 2014

This form is available from the Arizona Geology Survey and may be reproduced.

AMC 448245

Gold Road Mining Corp.  
Suite 450, 1090 West Georgia Street  
Vancouver, BC V6E 3V7 Canada

LOCATION NOTICE FOR LODE MINING CLAIM

Amendment BLM Serial # \_\_\_\_\_

NOTICE IS HEREBY GIVEN that the GRMC 54  
\_\_\_\_\_ lode mining claim has been located  
by Gold Road Mining Corp. whose current mailing  
address is Suite 450, 1090 West Georgia Street  
Vancouver, BC V6E 3V7 Canada

BLM  
Date  
Stamp  
2017 DEC 20 A 10:19  
PHOENIX, ARIZONA  
BLM AZ STATE OFFICE

RECEIVED  
BLM AZ STATE OFFICE

The general course of this claim is Northwest-Southeast and it is situated in Mohave  
County, Arizona. This claim is 1500 feet in length and 600 feet in width.

20 Total Claim Acreage. This claim runs from the location monument on which this location notice  
is posted on the centerline of the claim approximately 20 feet in a SE direction to the SE  
end line and 1480 feet in a NW direction to the NW end line. This claim is marked by six  
monuments, one at each corner and one at the center of each end line of the claim.

The location monument on which this notice is posted is situated within Section 18, Township 19  
N, Range 19 W, Gila Salt River Base and Meridian, Arizona and this claim encompasses portions  
of the following quarter section(s), section(s), Township(s) and Range(s) \_\_\_\_\_  
SE1/4, SW1/4 Sec.18 T19N R19W

Gila Salt River Base and Meridian, Arizona.

The locality of this claim with reference to some natural object or permanent monument and additional information  
(if any) concerning its locality are as follows: \_\_\_\_\_

1,209'E 4,162'S from NW corner Sec.18 T19N R19W to NW claim corner

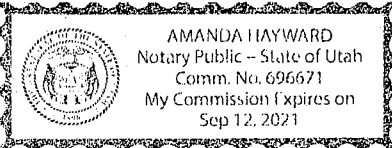
\_\_\_\_\_ The above information is shown on the attached map.

DATED AND POSTED on the ground this 18 day of October, 2017.

LOCATOR(s)  AGENT  
Print Name(s) Stuart Burgess  
Signature(s) \_\_\_\_\_

State of Utah  
County of Salt Lake

This instrument was signed and sworn to before me  
on 12/21/17 by Stuart Burgess  
(Name of signer)

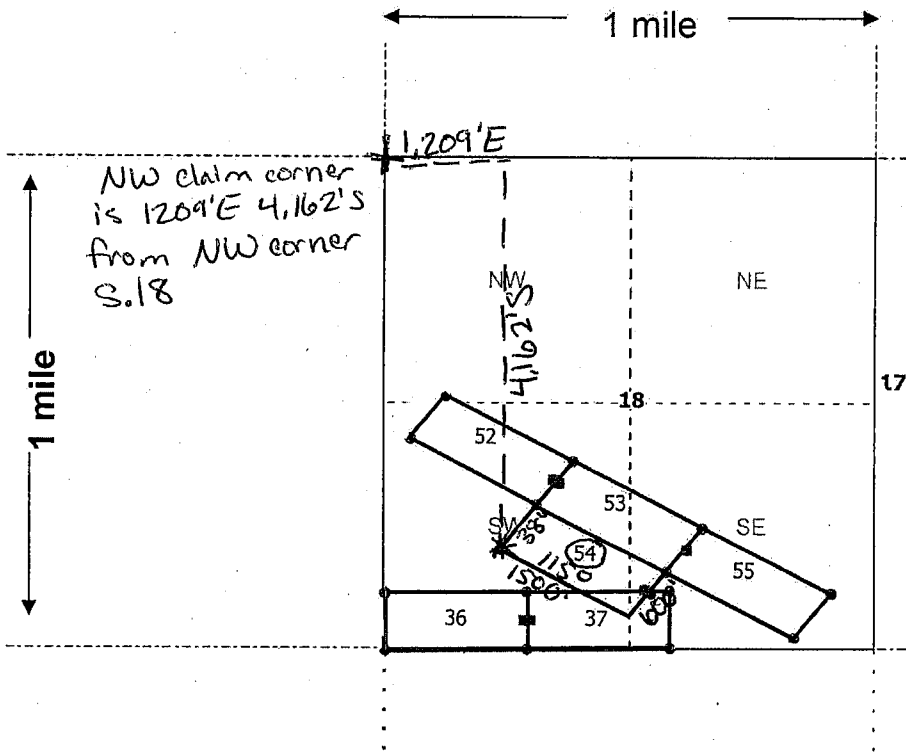


AH  
(Notary Signature)  
[Affix seal/stamp to the left or below]

AMC 448245

**MINING CLAIM MAP**

Lode (X) Placer ( )  
Millsite ( )



RECEIVED  
 BLM/ASST/EO/HOT  
 PHOENIX, ARIZONA  
 2011 DEC 20 A 10:19

Scale: 1" = 2000 feet



1. The above map depicts the GRMC 54 mining claim, which is located in Section (s) 18, Township 19 N, Range 19 W, Gila and Salt River Base and Meridian, Mohave County, Arizona. Total claim acreage is 20

2. The type of corner and location monuments used are as follows: 2"X2"X50" wooden posts with metal tags or rock monument

3. The bearings and distances in degrees and feet between claim corners and to a public land survey monument are as depicted on the map.

4. If the claim is a placer or millsite claim with exterior limits conforming to legal subdivisions of the public survey, provide a legal description of the claim \_\_\_\_\_

Form MCF100a  
Revised July 2014

This form is available from the Arizona Geology Survey and may be reproduced.

AMC 448245

2E

Gold Road Mining Corp.  
Suite 450, 1090 West Georgia Street  
Vancouver, BC V6E 3V7 Canada

**FEE# 2017062234**

OFFICIAL RECORDS  
OF MOHAVE COUNTY  
KRISTI BLAIR,  
COUNTY RECORDER



12/26/2017 02:27 PM Fee: \$10.00

PAGE: 1 of 2

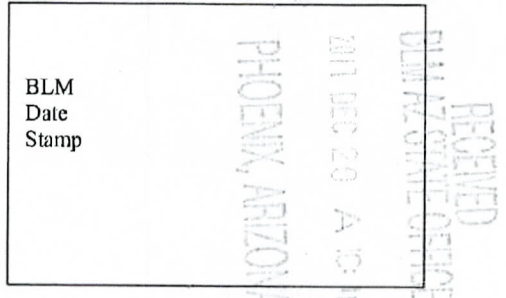
WHEN RECORDED MAIL TO (MC):

FENNEMORE CRAIG  
2394 EAST CAMELBACK RD  
SUITE 600  
PHOENIX AZ 85016

**LOCATION NOTICE FOR LODE MINING CLAIM**

Amendment BLM Serial # \_\_\_\_\_

NOTICE IS HEREBY GIVEN that the GRMC 55  
\_\_\_\_\_ lode mining claim has been located  
by Gold Road Mining Corp. whose current mailing  
address is Suite 450, 1090 West Georgia Street  
Vancouver, BC V6E 3V7 Canada



The general course of this claim is Northwest-Southeast and it is situated in Mohave  
County, Arizona. This claim is 1500 feet in length and 600 feet in width.

20 Total Claim Acreage. This claim runs from the location monument on which this location notice  
is posted on the centerline of the claim approximately 20 feet in a NW direction to the NW  
end line and 1480 feet in a SE direction to the SE end line. This claim is marked by six  
monuments, one at each corner and one at the center of each end line of the claim.

The location monument on which this notice is posted is situated within Section 18, Township 19  
N, Range 19 W, Gila Salt River Base and Meridian, Arizona and this claim encompasses portions  
of the following quarter section(s), section(s), Township(s) and Range(s) \_\_\_\_\_  
SE1/4 Sec.18 T19N R19W

Gila Salt River Base and Meridian, Arizona.

The locality of this claim with reference to some natural object or permanent monument and additional information  
(if any) concerning its locality are as follows: \_\_\_\_\_  
2,227'W 812'N from SE corner Sec.18 T19N R19W to NW claim corner

\_\_\_\_\_ The above information is shown on the attached map.

DATED AND POSTED on the ground this 18 day of October, 20 17.

LOCATOR(s)  AGENT  
Print Name(s) Stuart Burgess  
Signature(s) \_\_\_\_\_

State of Utah  
County of Salt Lake

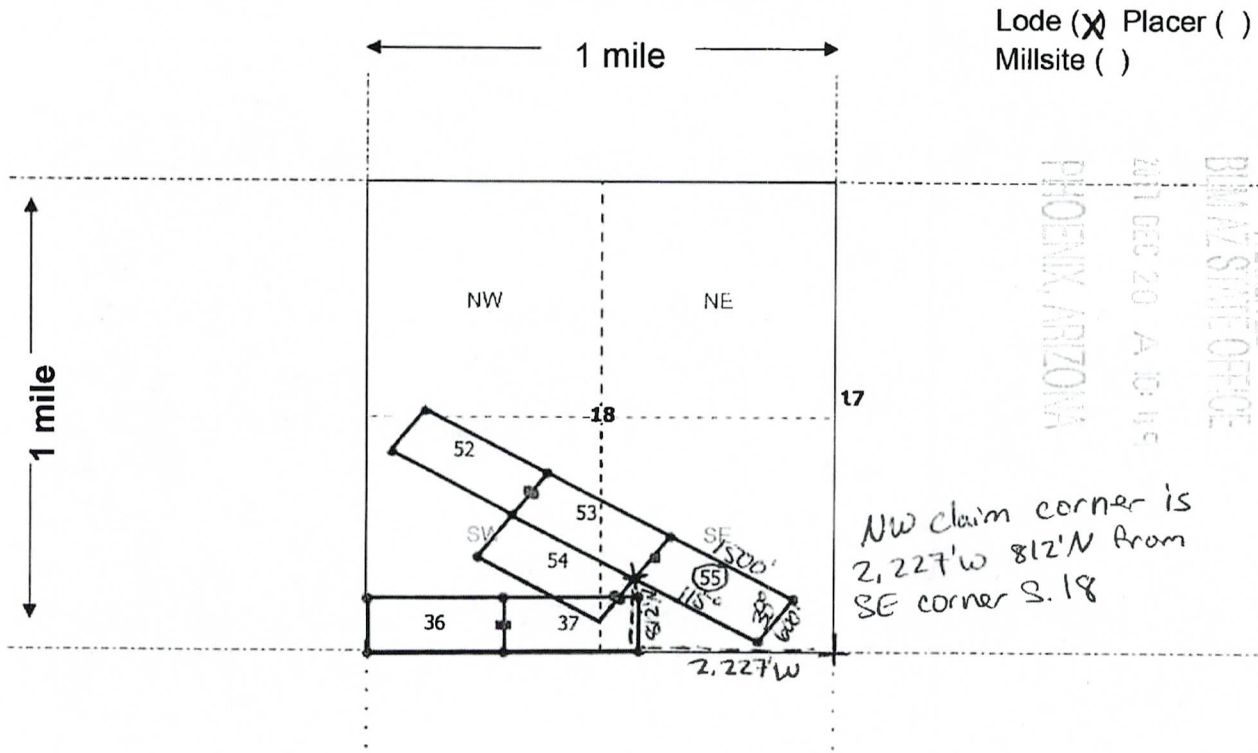
This instrument was signed and sworn to before me  
on 12/21/17 by Stuart Burgess  
(Name of signer)



AH  
(Notary Signature)  
[Affix seal/stamp to the left or below]

AMC448246

**MINING CLAIM MAP**



Lode (X) Placer ( )  
Millsite ( )

RECEIVED  
 BLM AZ STATE OFFICE  
 2011 DEC 20 A 10:16  
 PHOENIX, ARIZONA

NW claim corner is  
2,227'W 812'N from  
SE corner S. 18

Scale: 1" = 2000 feet



1. The above map depicts the GRMC 55 mining claim, which is located in Section (s) 18, Township 19 N, Range 19 W, Gila and Salt River Base and Meridian, Mohave County, Arizona. Total claim acreage is 20

2. The type of corner and location monuments used are as follows: 2"X2"X50" wooden posts with metal tags or rock monument

3. The bearings and distances in degrees and feet between claim corners and to a public land survey monument are as depicted on the map.

4. If the claim is a placer or millsite claim with exterior limits conforming to legal subdivisions of the public survey, provide a legal description of the claim \_\_\_\_\_

**Form MCF100a**  
Revised July 2014

This form is available from the **Arizona Geology Survey** and may be reproduced.

AMC448246

Gold Road Mining Corp.  
Suite 450, 1090 West Georgia Street  
Vancouver, BC V6E 3V7 Canada

**LOCATION NOTICE FOR LODE MINING CLAIM**

Amendment BLM Serial # \_\_\_\_\_

NOTICE IS HEREBY GIVEN that the GRMC 55  
\_\_\_\_\_ lode mining claim has been located  
by Gold Road Mining Corp. whose current mailing  
address is Suite 450, 1090 West Georgia Street  
Vancouver, BC V6E 3V7 Canada

RECEIVED  
BLM STATE OFFICE  
2017 DEC 20 A 10:11 AM  
PHOENIX, ARIZONA  
BLM  
Date  
Stamp

The general course of this claim is Northwest-Southeast and it is situated in Mohave  
County, Arizona. This claim is 1500 feet in length and 600 feet in width.

20 Total Claim Acreage. This claim runs from the location monument on which this location notice  
is posted on the centerline of the claim approximately 20 feet in a NW direction to the NW  
end line and 1480 feet in a SE direction to the SE end line. This claim is marked by six  
monuments, one at each corner and one at the center of each end line of the claim.

The location monument on which this notice is posted is situated within Section 18, Township 19  
N, Range 19 W, Gila Salt River Base and Meridian, Arizona and this claim encompasses portions  
of the following quarter section(s), section(s), Township(s) and Range(s) \_\_\_\_\_  
SE1/4 Sec.18 T19N R19W

Gila Salt River Base and Meridian, Arizona.

The locality of this claim with reference to some natural object or permanent monument and additional information  
(if any) concerning its locality are as follows: \_\_\_\_\_

2,227'W 812'N from SE corner Sec.18 T19N R19W to NW claim corner

\_\_\_\_\_ The above information is shown on the attached map.

DATED AND POSTED on the ground this 18 day of October, 20 17.

LOCATOR(s)  AGENT

Print Name(s) Stuart Burgess

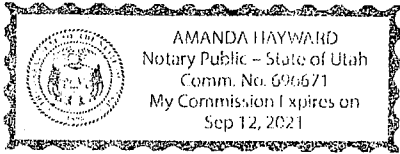
Signature(s) \_\_\_\_\_

State of Utah  
County of Salt Lake

This instrument was signed and sworn to before me  
on 12/2/17 by Stuart Burgess  
(Name of signer)

SH

(Notary Signature)  
[Affix seal/stamp to the left or below]

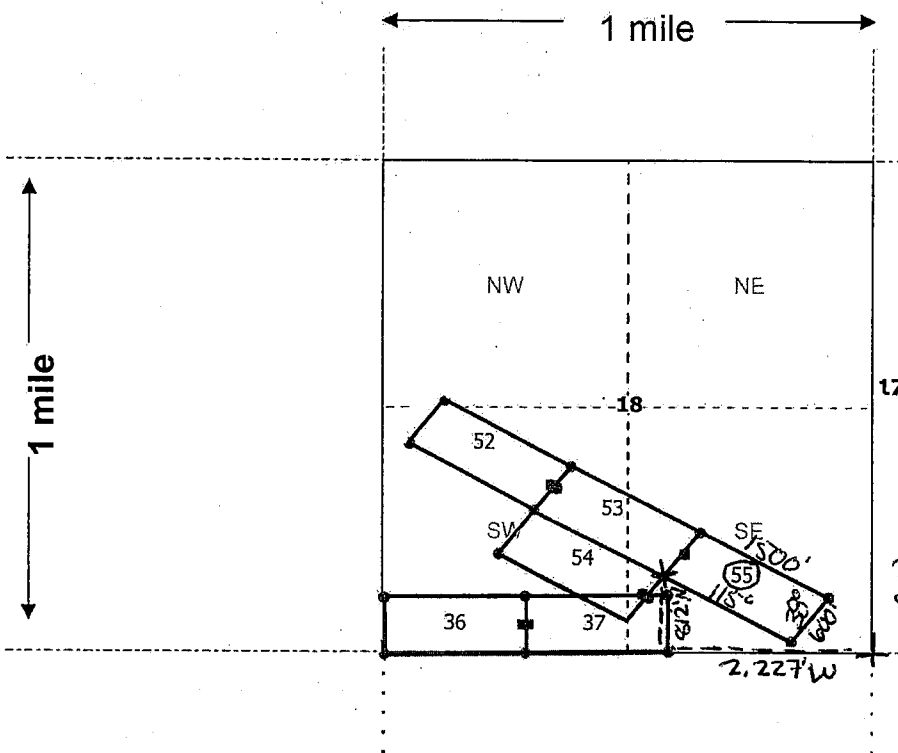


AMC448246

**MINING CLAIM MAP**

Lode (X) Placer ( )  
Millsite ( )

RECEIVED  
 BLM AZ STATE OFFICE  
 2011 DEC 20 A 10:19  
 PHOENIX, ARIZONA



NW claim corner is  
2,227' W 812' N from  
SE corner S. 18

Scale: 1" = 2000 feet



1. The above map depicts the GRMC 55 mining claim, which is located in Section (s) 18, Township 19 N, Range 19 W, Gila and Salt River Base and Meridian, Mohave County, Arizona. Total claim acreage is 20

2. The type of corner and location monuments used are as follows: 2"X2"X50" wooden posts with metal tags or rock monument

3. The bearings and distances in degrees and feet between claim corners and to a public land survey monument are as depicted on the map.

4. If the claim is a placer or millsite claim with exterior limits conforming to legal subdivisions of the public survey, provide a legal description of the claim \_\_\_\_\_

Form MCF100a  
Revised July 2014

This form is available from the Arizona Geology Survey and may be reproduced.

AMC 448246



ZE

Gold Road Mining Corp.  
Suite 450, 1090 West Georgia Street  
Vancouver, BC V6E 3V7 Canada

**FEE# 2017062235**

OFFICIAL RECORDS  
OF MOHAVE COUNTY  
KRISTI BLAIR,  
COUNTY RECORDER



12/26/2017 02:27 PM Fee: \$10.00

PAGE: 1 of 2

WHEN RECORDED MAIL TO (MC):

FENNEMORE CRAIG  
2394 EAST CAMELBACK RD  
SUITE 600  
PHOENIX AZ 85016

**LOCATION NOTICE FOR LODE MINING CLAIM**

Amendment BLM Serial # \_\_\_\_\_

NOTICE IS HEREBY GIVEN that the GRMC 56  
\_\_\_\_\_ lode mining claim has been located  
by Gold Road Mining Corp. whose current mailing  
address is Suite 450, 1090 West Georgia Street  
Vancouver, BC V6E 3V7 Canada

|  |                      |
|--|----------------------|
| RECEIVED<br>BLM STATE OFFICE<br>PHOENIX, ARIZONA<br>DEC 20 A 10:49 | BLM<br>Date<br>Stamp |
|--|----------------------|

The general course of this claim is Northwest-Southeast and it is situated in Mohave  
County, Arizona. This claim is 1500 feet in length and 600 feet in width.

20 Total Claim Acreage. This claim runs from the location monument on which this location notice  
is posted on the centerline of the claim approximately 20 feet in a SE direction to the SE  
end line and 1480 feet in a NW direction to the NW end line. This claim is marked by six  
monuments, one at each corner and one at the center of each end line of the claim.

The location monument on which this notice is posted is situated within Section 9, Township 19  
N, Range 20 W, Gila Salt River Base and Meridian, Arizona and this claim encompasses portions  
of the following quarter section(s), section(s), Township(s) and Range(s) \_\_\_\_\_  
NE 1/4 of Sec. 9 and SE 1/4 Sec.4 T19N R20W

Gila Salt River Base and Meridian, Arizona.

The locality of this claim with reference to some natural object or permanent monument and additional information  
(if any) concerning its locality are as follows: \_\_\_\_\_

NW claim corner is 1,795' W 60' S from NE corner of Sec. 9 T19N R20W

\_\_\_\_\_ The above information is shown on the attached map.

DATED AND POSTED on the ground this 28th day of November, 2017.

LOCATOR(s)  AGENT

Print Name(s) Stuart Burgess

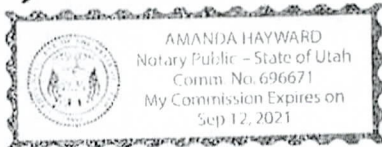
Signature(s) \_\_\_\_\_

State of Utah  
County of Salt Lake

This instrument was signed and sworn to before me  
on 12/2/17 by Stuart Burgess  
(Name of signer)

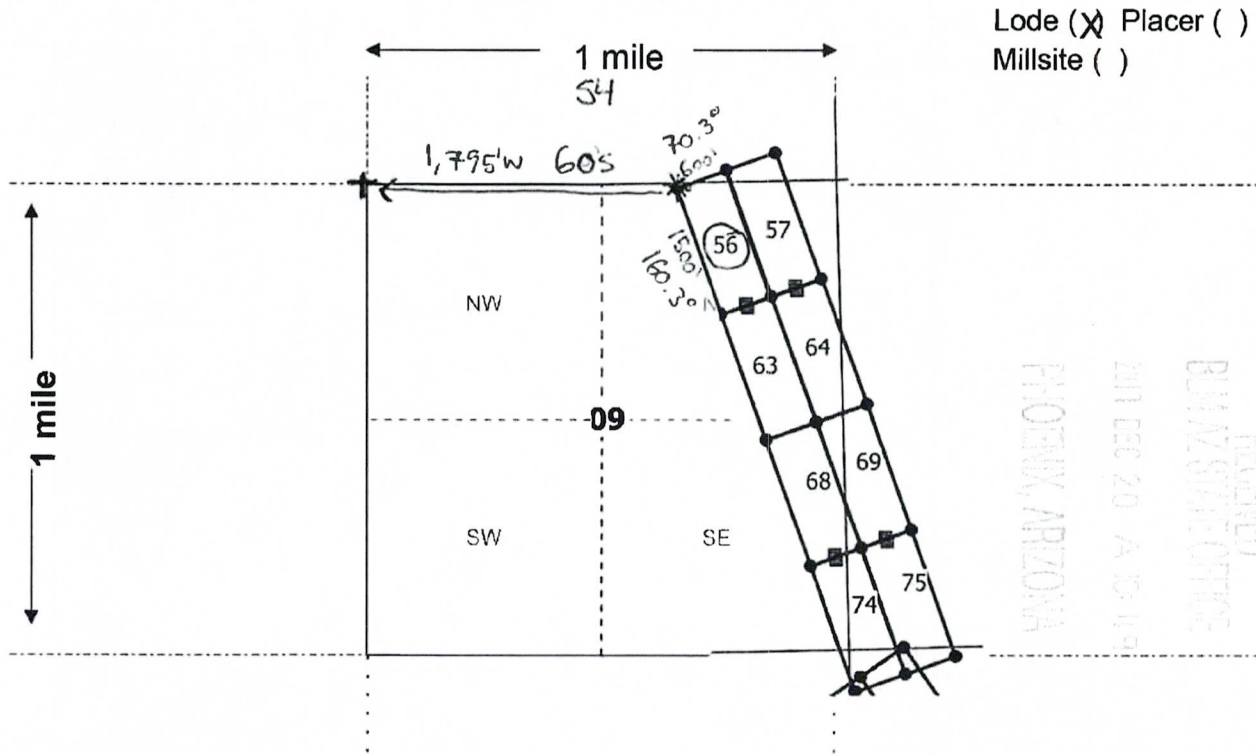
\_\_\_\_\_  
(Notary Signature)

[Affix seal/stamp to the left or below]



AMC448247

**MINING CLAIM MAP**



Scale: 1" = 2000 feet



1. The above map depicts the GRMC 56 mining claim, which is located in Section (s) 4,9, Township 19 N, Range 20 W, Gila and Salt River Base and Meridian, Mohave County, Arizona. Total claim acreage is 20

2. The type of corner and location monuments used are as follows: 2"X2"X50" wooden posts with metal tags or rock monument

3. The bearings and distances in degrees and feet between claim corners and to a public land survey monument are as depicted on the map.

4. If the claim is a placer or millsite claim with exterior limits conforming to legal subdivisions of the public survey, provide a legal description of the claim \_\_\_\_\_

Form MCF100a  
Revised July 2014

This form is available from the **Arizona Geology Survey** and may be reproduced.

AMC448247

Gold Road Mining Corp.  
Suite 450, 1090 West Georgia Street  
Vancouver, BC V6E 3V7 Canada

LOCATION NOTICE FOR LODE MINING CLAIM

Amendment BLM Serial # \_\_\_\_\_

NOTICE IS HEREBY GIVEN that the GRMC 56  
\_\_\_\_\_ lode mining claim has been located  
by Gold Road Mining Corp whose current mailing  
address is Suite 450, 1090 West Georgia Street  
Vancouver, BC V6E 3V7 Canada

BLM  
Date  
Stamp

RECEIVED  
DIAZ STATE OFFICE  
PHOENIX, ARIZONA  
2017 DEC 20 A 10:49

The general course of this claim is Northwest-Southeast and it is situated in Mohave  
County, Arizona. This claim is 1500 feet in length and 600 feet in width.

20 Total Claim Acreage. This claim runs from the location monument on which this location notice  
is posted on the centerline of the claim approximately 20 feet in a SE direction to the SE  
end line and 1480 feet in a NW direction to the NW end line. This claim is marked by six  
monuments, one at each corner and one at the center of each end line of the claim.

The location monument on which this notice is posted is situated within Section 9, Township 19  
N, Range 20 W, Gila Salt River Base and Meridian, Arizona and this claim encompasses portions  
of the following quarter section(s), section(s), Township(s) and Range(s) \_\_\_\_\_

NE 1/4 of Sec. 9 and SE 1/4 Sec.4 T19N R20W  
Gila Salt River Base and Meridian, Arizona.

The locality of this claim with reference to some natural object or permanent monument and additional information  
(if any) concerning its locality are as follows: \_\_\_\_\_

NW claim corner is 1,795' W 60' S from NE corner of Sec. 9 T19N R20W

\_\_\_\_\_ The above information is shown on the attached map.

DATED AND POSTED on the ground this 28<sup>th</sup> day of November, 20 17.

LOCATOR(s)  AGENT

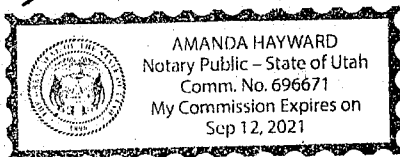
Print Name(s) Stuart Burgess

Signature(s) \_\_\_\_\_

State of Utah  
County of Salt Lake

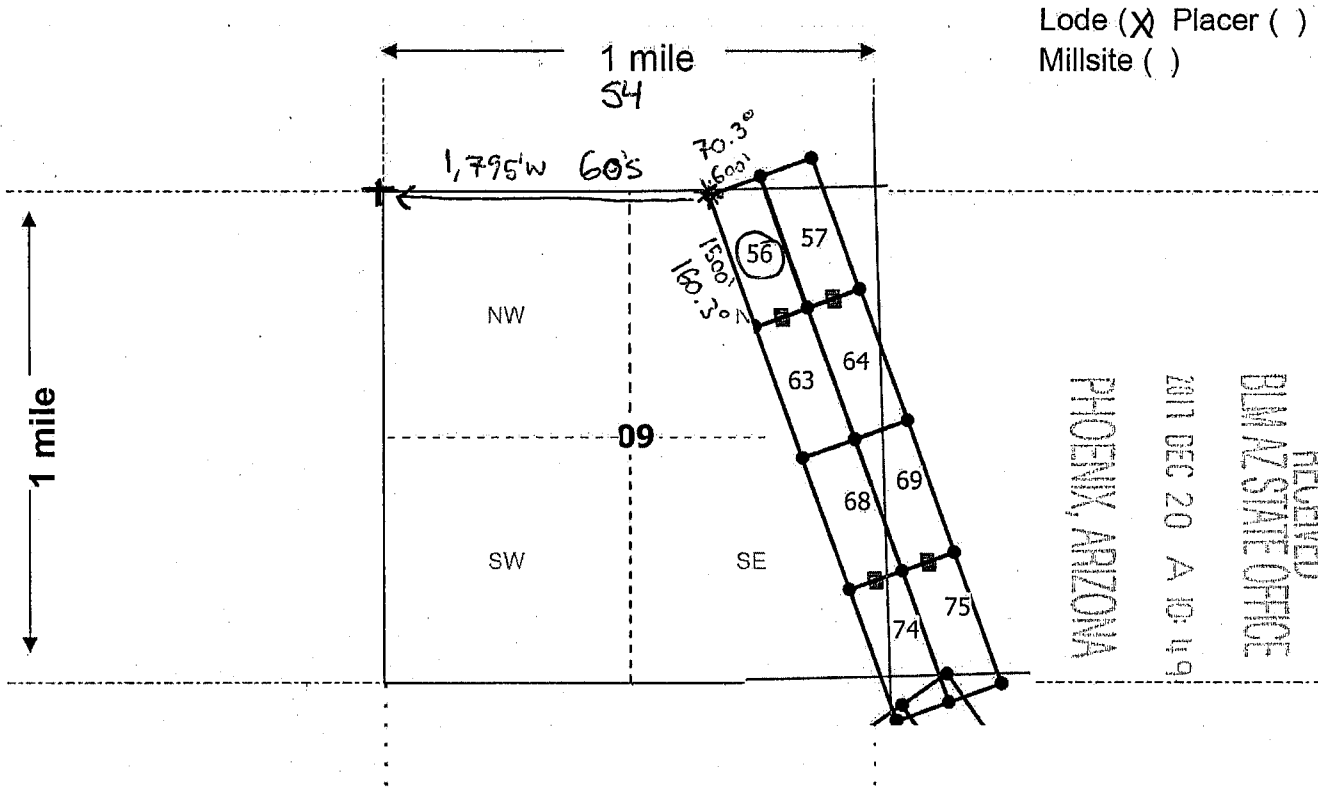
This instrument was signed and sworn to before me  
on 12/2/17 by Stuart Burgess  
(Name of signor)

\_\_\_\_\_  
(Notary Signature)  
[Affix seal/stamp to the left or below]



AMC448247

**MINING CLAIM MAP**



Lode (X) Placer ( )  
Millsite ( )

RECEIVED  
 BLM AZ STATE OFFICE  
 2011 DEC 20 A 10:49  
 PHOENIX, ARIZONA

Scale: 1" = 2000 feet



1. The above map depicts the GRMC 56 mining claim, which is located in Section (s) 4,9, Township 19 N, Range 20 W, Gila and Salt River Base and Meridian, Mohave County, Arizona. Total claim acreage is 20

2. The type of corner and location monuments used are as follows: 2"X2"X50" wooden posts with metal tags or rock monument

3. The bearings and distances in degrees and feet between claim corners and to a public land survey monument are as depicted on the map.

4. If the claim is a placer or millsite claim with exterior limits conforming to legal subdivisions of the public survey, provide a legal description of the claim \_\_\_\_\_

Form MCF100a  
Revised July 2014

This form is available from the Arizona Geology Survey and may be reproduced.

AMC448247

2E

Gold Road Mining Corp.  
Suite 450, 1090 West Georgia Street  
Vancouver, BC V6E 3V7 Canada

FEE# 2017062236

OFFICIAL RECORDS  
OF MOHAVE COUNTY  
KRISTI BLAIR,  
COUNTY RECORDER



12/26/2017 02:27 PM Fee: \$10.00

PAGE: 1 of 2

WHEN RECORDED MAIL TO (MC):

FENNEMORE CRAIG  
2394 EAST CAMELBACK RD  
SUITE 600  
PHOENIX AZ 85016

**LOCATION NOTICE FOR LODE MINING CLAIM**

Amendment BLM Serial # \_\_\_\_\_

NOTICE IS HEREBY GIVEN that the GRMC 57  
\_\_\_\_\_ lode mining claim has been located  
by Gold Road Mining Corp. whose current mailing  
address is Suite 450, 1090 West Georgia Street  
Vancouver, BC V6E 3V7 Canada

BLM  
Date  
Stamp

PHOENIX, ARIZONA

DEC 20 10 09 AM '17

RECEIVED  
DEPT. OF STATE OFFICE

The general course of this claim is Northwest-Southeast and it is situated in Mohave  
County, Arizona. This claim is 1500 feet in length and 600 feet in width.

20 Total Claim Acreage. This claim runs from the location monument on which this location notice  
is posted on the centerline of the claim approximately 20 feet in a SE direction to the SE  
end line and 1480 feet in a NW direction to the NW end line. This claim is marked by six  
monuments, one at each corner and one at the center of each end line of the claim.

The location monument on which this notice is posted is situated within Section 9, Township 19  
N, Range 20 W, Gila Salt River Base and Meridian, Arizona and this claim encompasses portions  
of the following quarter section(s), section(s), Township(s) and Range(s) \_\_\_\_\_  
NE1/4 Sec.9 AND SE 1/4 Sec. 4 T19N R20W

Gila Salt River Base and Meridian, Arizona.

The locality of this claim with reference to some natural object or permanent monument and additional information  
(if any) concerning its locality are as follows: \_\_\_\_\_

NW claim corner is 1,231' W 5,149'S from NE corner of Sec. 4 T19N R20W

\_\_\_\_\_ The above information is shown on the attached map.

DATED AND POSTED on the ground this 28th day of November, 20 17.

LOCATOR(s)  AGENT

Print Name(s) Stuart Burgess

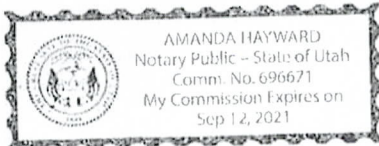
Signature(s) \_\_\_\_\_

State of Utah  
County of Salt Lake

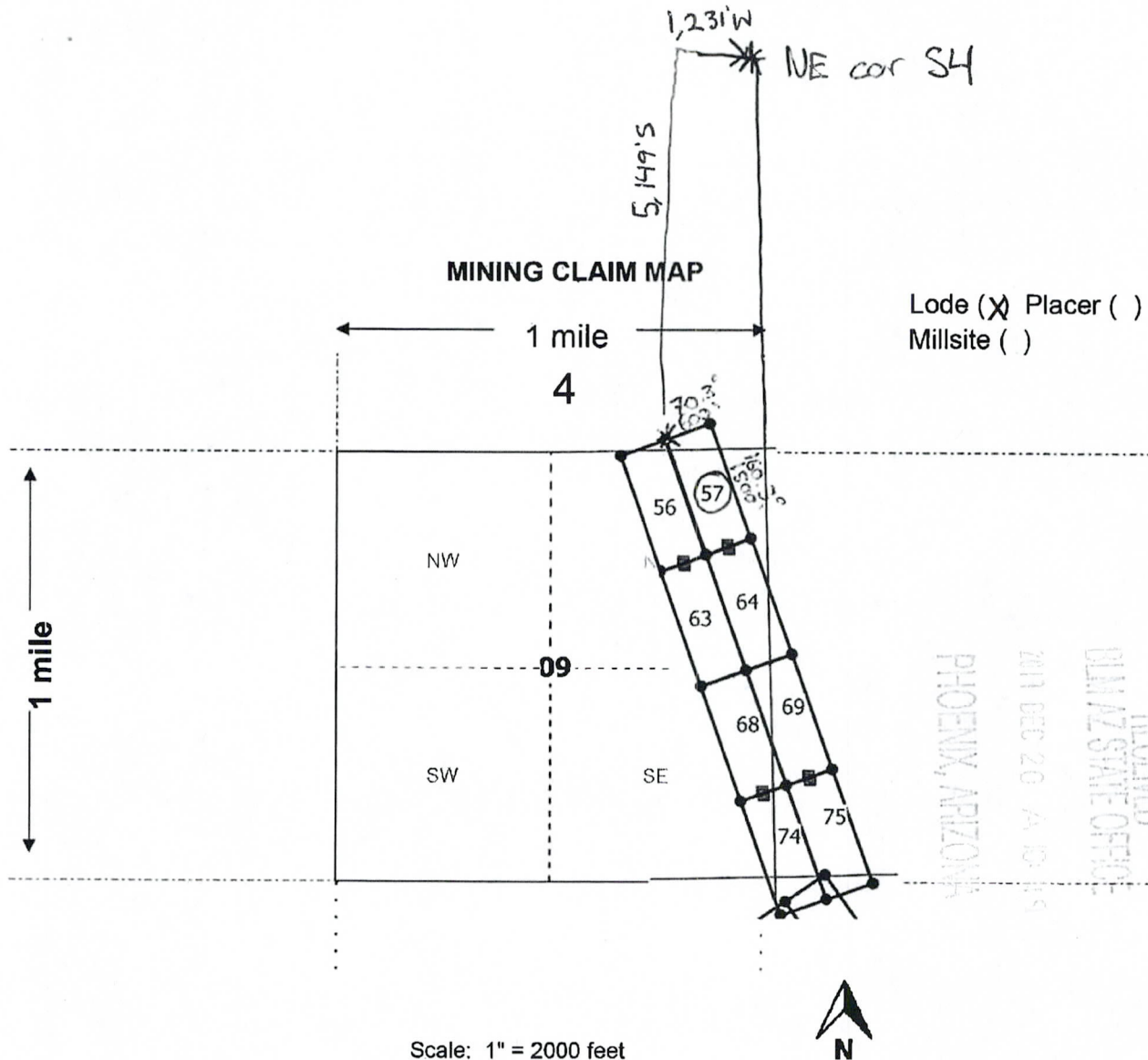
This instrument was signed and sworn to before me  
on 12/2/17 by Stuart Burgess  
(Name of signer)

ANH  
(Notary Signature)

[Affix seal/stamp to the left or below]



AMC448248



- Scale: 1" = 2000 feet
- The above map depicts the GRMC 57 mining claim, which is located in Section (s) 4,9, Township 19 N, Range 20 W, Gila and Salt River Base and Meridian, Mohave County, Arizona. Total claim acreage is 20
  - The type of corner and location monuments used are as follows: 2"X2"X50" wooden posts with metal tags or rock monument
  - The bearings and distances in degrees and feet between claim corners and to a public land survey monument are as depicted on the map.
  - If the claim is a placer or millsite claim with exterior limits conforming to legal subdivisions of the public survey, provide a legal description of the claim \_\_\_\_\_

Form MCF100a  
Revised July 2014

This form is available from the Arizona Geology Survey and may be reproduced.

AMC448248

Gold Road Mining Corp.  
Suite 450, 1090 West Georgia Street  
Vancouver, BC V6E 3V7 Canada

LOCATION NOTICE FOR LODE MINING CLAIM

Amendment BLM Serial # \_\_\_\_\_

NOTICE IS HEREBY GIVEN that the GRMC 57  
\_\_\_\_\_ lode mining claim has been located  
by Gold Road Mining Corp whose current mailing  
address is Suite 450, 1090 West Georgia Street  
Vancouver, BC V6E 3V7 Canada

BLM  
Date  
Stamp  
NOV 20 10 19  
DEPARTMENT OF THE INTERIOR  
BUREAU OF LAND MANAGEMENT  
PHOENIX, ARIZONA

RECEIVED  
DEPARTMENT OF THE INTERIOR  
BUREAU OF LAND MANAGEMENT  
PHOENIX, ARIZONA

The general course of this claim is Northwest-Southeast and it is situated in Mohave  
County, Arizona. This claim is 1500 feet in length and 600 feet in width.

20 Total Claim Acreage. This claim runs from the location monument on which this location notice  
is posted on the centerline of the claim approximately 20 feet in a SE direction to the SE  
end line and 1480 feet in a NW direction to the NW end line. This claim is marked by six  
monuments, one at each corner and one at the center of each end line of the claim.

The location monument on which this notice is posted is situated within Section 9, Township 19  
N, Range 20 W, Gila Salt River Base and Meridian, Arizona and this claim encompasses portions  
of the following quarter section(s), section(s), Township(s) and Range(s) \_\_\_\_\_  
NE1/4 Sec.9 AND SE 1/4 Sec. 4 T19N R20W

Gila Salt River Base and Meridian, Arizona.

The locality of this claim with reference to some natural object or permanent monument and additional information  
(if any) concerning its locality are as follows: \_\_\_\_\_

NW claim corner is 1,231' W 5,149'S from NE corner of Sec. 4 T19N R20W

\_\_\_\_\_ The above information is shown on the attached map.

DATED AND POSTED on the ground this 28th day of November, 20 17.

LOCATOR(s)  AGENT

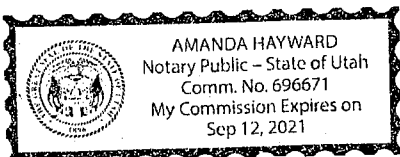
Print Name(s) Stuart Burgess

Signature(s) \_\_\_\_\_

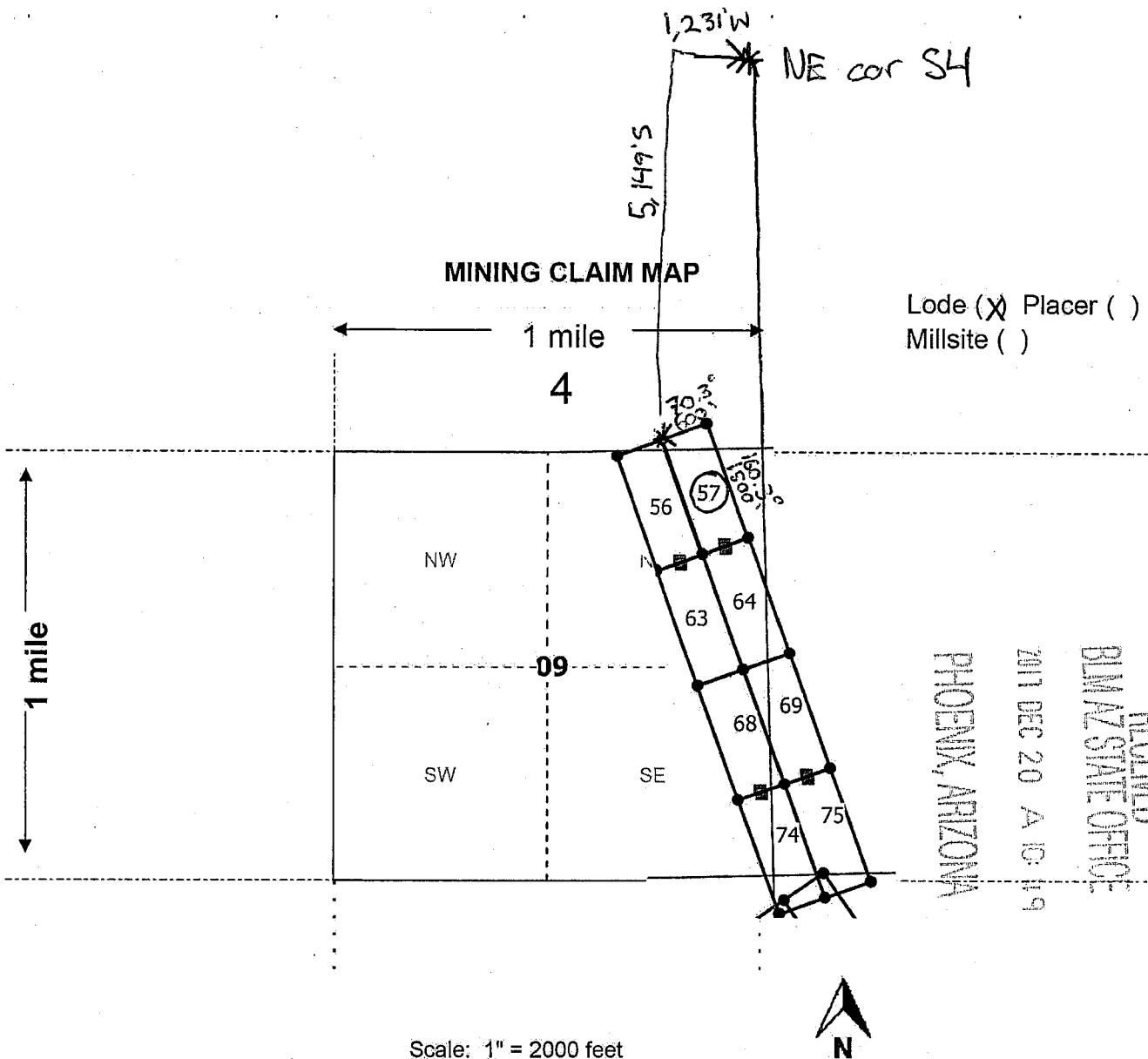
State of Utah  
County of Salt Lake

This instrument was signed and sworn to before me  
on 12/2/17 by Stuart Burgess  
(Name of signer)

AH  
(Notary Signature)  
[Affix seal/stamp to the left or below]



AMC448248



1. The above map depicts the GRMC 57 mining claim, which is located in Section (s) 4,9, Township 19 N, Range 20 W, Gila and Salt River Base and Meridian, Mohave County, Arizona. Total claim acreage is 20
2. The type of corner and location monuments used are as follows: 2"X2"X50" wooden posts with metal tags or rock monument
3. The bearings and distances in degrees and feet between claim corners and to a public land survey monument are as depicted on the map.
4. If the claim is a placer or millsite claim with exterior limits conforming to legal subdivisions of the public survey, provide a legal description of the claim \_\_\_\_\_

Form MCF100a  
Revised July 2014

This form is available from the Arizona Geology Survey and may be reproduced.

AMC448248





FEE# 2017062237

OFFICIAL RECORDS OF MOHAVE COUNTY KRISTI BLAIR, COUNTY RECORDER



12/26/2017 02:27 PM Fee: \$10.00

PAGE: 1 of 2

Gold Road Mining Corp. Suite 450, 1090 West Georgia Street Vancouver, BC V6E 3V7 Canada

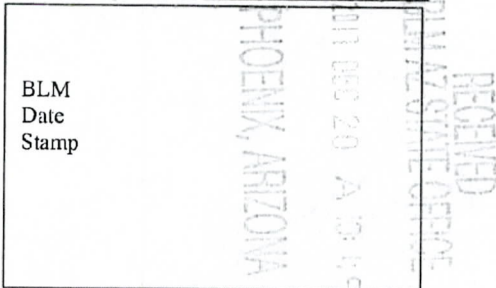
WHEN RECORDED MAIL TO (MC):

FENNEMORE CRAIG 2394 EAST CAMELBACK RD SUITE 600 PHOENIX AZ 85016

LOCATION NOTICE FOR LODE MINING CLAIM

Amendment BLM Serial #

NOTICE IS HEREBY GIVEN that the GRMC 58 lode mining claim has been located by Gold Road Mining Corp. whose current mailing address is Suite 450, 1090 West Georgia Street Vancouver, BC V6E 3V7 Canada



The general course of this claim is Northwest-Southeast and it is situated in Mohave County, Arizona. This claim is 1500 feet in length and 600 feet in width.

20 Total Claim Acreage. This claim runs from the location monument on which this location notice is posted on the centerline of the claim approximately 20 feet in a SE direction to the SE end line and 1480 feet in a NW direction to the NW end line. This claim is marked by six monuments, one at each corner and one at the center of each end line of the claim.

The location monument on which this notice is posted is situated within Section 10, Township 19 N, Range 20 W, Gila Salt River Base and Meridian, Arizona and this claim encompasses portions of the following quarter section(s), section(s), Township(s) and Range(s) SW1/4 Sec.3, NW1/4 Sec.10 T19N R20W

Gila Salt River Base and Meridian, Arizona.

The locality of this claim with reference to some natural object or permanent monument and additional information (if any) concerning its locality are as follows:

NW claim corner is 207' E 980' N from SW corner of Sec. 3 T19N R20W

The above information is shown on the attached map.

DATED AND POSTED on the ground this 28th day of November, 2017.

LOCATOR(s) AGENT

Print Name(s) Stuart Burgess

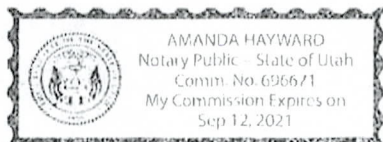
Signature(s)

State of Utah County of Salt Lake

This instrument was signed and sworn to before me on 12/21/17 by Stuart Burgess (Name of signer)

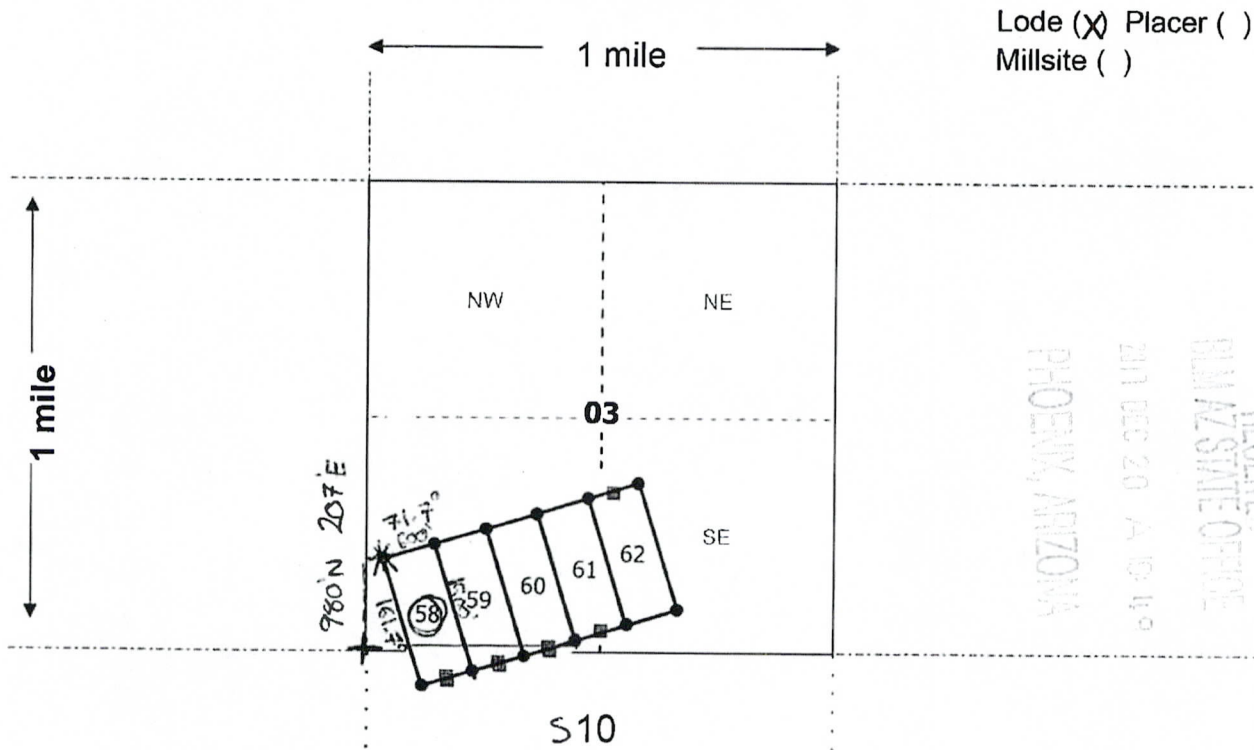
(Notary Signature)

[Affix seal/stamp to the left or below]



AMC 448249

**MINING CLAIM MAP**



Scale: 1" = 2000 feet



1. The above map depicts the GRMC 58 mining claim, which is located in Section (s) 3, 10, Township 19 N, Range 20 W, Gila and Salt River Base and Meridian, Mohave County, Arizona. Total claim acreage is 20

2. The type of corner and location monuments used are as follows: 2"X2"X50" wooden posts with metal tags or rock monument

3. The bearings and distances in degrees and feet between claim corners and to a public land survey monument are as depicted on the map.

4. If the claim is a placer or millsite claim with exterior limits conforming to legal subdivisions of the public survey, provide a legal description of the claim \_\_\_\_\_

**Form MCF100a**  
Revised July 2014

This form is available from the **Arizona Geology Survey** and may be reproduced.

AMC448249

Gold Road Mining Corp.  
Suite 450, 1090 West Georgia Street  
Vancouver, BC V6E 3V7 Canada

LOCATION NOTICE FOR LODE MINING CLAIM

Amendment BLM Serial # \_\_\_\_\_

NOTICE IS HEREBY GIVEN that the GRMC 58  
\_\_\_\_\_ lode mining claim has been located  
by Gold Road Mining Corp. whose current mailing  
address is Suite 450, 1090 West Georgia Street  
Vancouver, BC V6E 3V7 Canada

RECEIVED  
BLM STATE OFFICE  
PHOENIX, ARIZONA  
2017 DEC 20 A 10:45  
BLM  
Date  
Stamp

The general course of this claim is Northwest-Southeast and it is situated in Mohave  
County, Arizona. This claim is 1500 feet in length and 600 feet in width.

20 Total Claim Acreage. This claim runs from the location monument on which this location notice  
is posted on the centerline of the claim approximately 20 feet in a SE direction to the SE  
end line and 1480 feet in a NW direction to the NW end line. This claim is marked by six  
monuments, one at each corner and one at the center of each end line of the claim.

The location monument on which this notice is posted is situated within Section 10, Township 19  
N, Range 20 W, Gila Salt River Base and Meridian, Arizona and this claim encompasses portions  
of the following quarter section(s), section(s), Township(s) and Range(s) \_\_\_\_\_  
SW1/4 Sec.3, NW1/4 Sec.10 T19N R20W

Gila Salt River Base and Meridian, Arizona.

The locality of this claim with reference to some natural object or permanent monument and additional information  
(if any) concerning its locality are as follows: \_\_\_\_\_

NW claim corner is 207' E 980' N from SW corner of Sec. 3 T19N R20W

\_\_\_\_\_ The above information is shown on the attached map.

DATED AND POSTED on the ground this 29th day of November, 20 17.

LOCATOR(s)  AGENT

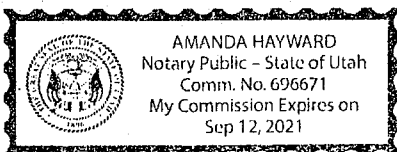
Print Name(s) Stuart Burgess

Signature(s) \_\_\_\_\_

State of Utah  
County of Salt Lake

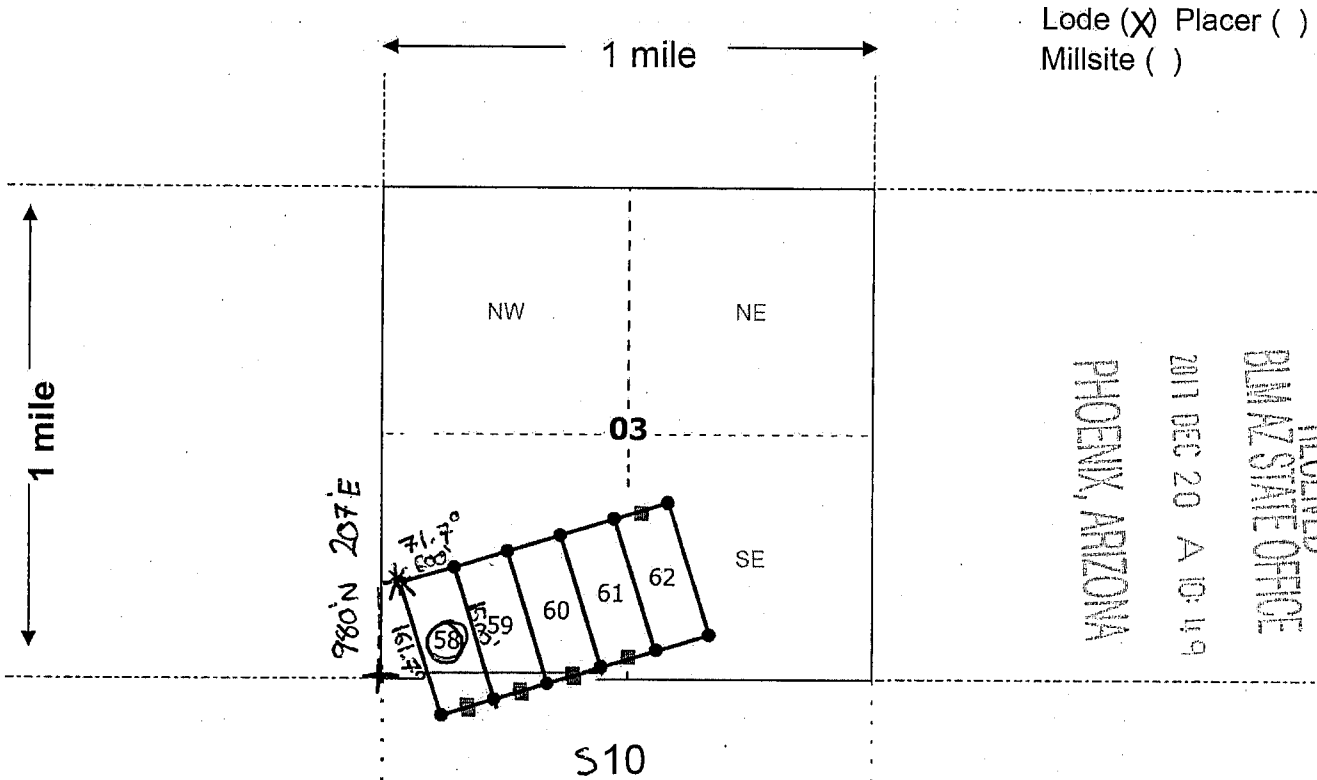
This instrument was signed and sworn to before me  
on 12/21/17 by Stuart Burgess  
(Name of signor)

ASH  
(Notary Signature)  
[Affix seal/stamp to the left or below]



AMC448249

**MINING CLAIM MAP**



RECEIVED  
 BLM AZ STATE OFFICE  
 2011 DEC 20 A 10:19  
 PHOENIX, ARIZONA

Scale: 1" = 2000 feet



1. The above map depicts the GRMC 58 mining claim, which is located in Section (s) 3, 10, Township 19 N, Range 20 W, Gila and Salt River Base and Meridian, Mohave County, Arizona. Total claim acreage is 20

2. The type of corner and location monuments used are as follows: 2"X2"X50" wooden posts with metal tags or rock monument

3. The bearings and distances in degrees and feet between claim corners and to a public land survey monument are as depicted on the map.

4. If the claim is a placer or millsite claim with exterior limits conforming to legal subdivisions of the public survey, provide a legal description of the claim \_\_\_\_\_

Form MCF100a  
 Revised July 2014

This form is available from the Arizona Geology Survey and may be reproduced.

AM0448249

2E

Gold Road Mining Corp.  
Suite 450, 1090 West Georgia Street  
Vancouver, BC V6E 3V7 Canada

**FEE# 2017062238**

OFFICIAL RECORDS  
OF MOHAVE COUNTY  
KRISTI BLAIR,  
COUNTY RECORDER



12/26/2017 02:27 PM Fee: \$10.00

PAGE: 1 of 2

WHEN RECORDED MAIL TO (MC):

FENNEMORE CRAIG  
2394 EAST CAMELBACK RD  
SUITE 600  
PHOENIX AZ 85016

**LOCATION NOTICE FOR LODE MINING CLAIM**

Amendment BLM Serial # \_\_\_\_\_

NOTICE IS HEREBY GIVEN that the GRMC 59  
\_\_\_\_\_ lode mining claim has been located  
by Gold Road Mining Corp. whose current mailing  
address is Suite 450, 1090 West Georgia Street  
Vancouver, BC V6E 3V7 Canada

RECEIVED  
BLM AZ STATE OFFICE  
PHOENIX, ARIZONA  
DEC 20 10 49 AM '17

BLM  
Date  
Stamp

The general course of this claim is Northwest-Southeast and it is situated in Mohave  
County, Arizona. This claim is 1500 feet in length and 600 feet in width.

20 Total Claim Acreage. This claim runs from the location monument on which this location notice  
is posted on the centerline of the claim approximately 20 feet in a SE direction to the SE  
end line and 1480 feet in a NW direction to the NW end line. This claim is marked by six  
monuments, one at each corner and one at the center of each end line of the claim.

The location monument on which this notice is posted is situated within Section 10, Township 19  
N, Range 20 W, Gila Salt River Base and Meridian, Arizona and this claim encompasses portions  
of the following quarter section(s), section(s), Township(s) and Range(s) \_\_\_\_\_  
SW1/4 Sec.3, NW1/4 Sec. 10 T19N R20W

Gila Salt River Base and Meridian, Arizona.

The locality of this claim with reference to some natural object or permanent monument and additional information  
(if any) concerning its locality are as follows: \_\_\_\_\_

NW claim corner is 776'E 1,152'N from SW corner of Sec. 3 T19N R20W

\_\_\_\_\_ The above information is shown on the attached map.

DATED AND POSTED on the ground this 28th day of November, 20 17.

LOCATOR(s)  AGENT

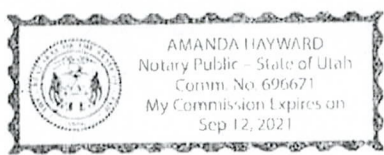
Print Name(s) Stuart Burgess

Signature(s) \_\_\_\_\_

State of Utah  
County of Salt Lake

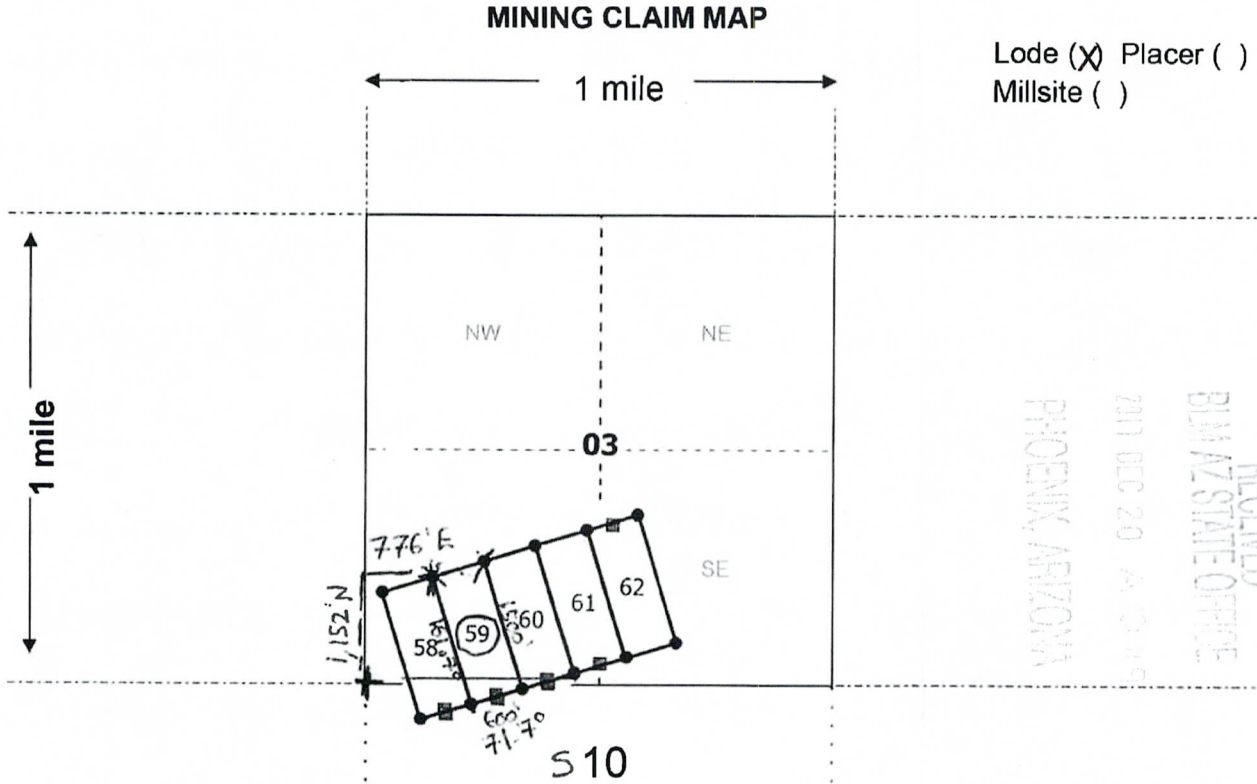
This instrument was signed and sworn to before me  
on 12/12/17 by Stuart Burgess  
(Name of signer)

AKH  
(Notary Signature)  
[Affix seal/stamp to the left or below]



AMC448250

**MINING CLAIM MAP**



Scale: 1" = 2000 feet



1. The above map depicts the GRMC 59 mining claim, which is located in Section (s) 3, 10, Township 19 N, Range 20 W, Gila and Salt River Base and Meridian, Mohave County, Arizona. Total claim acreage is 20

2. The type of corner and location monuments used are as follows: 2"X2"X50" wooden posts with metal tags or rock monument

3. The bearings and distances in degrees and feet between claim corners and to a public land survey monument are as depicted on the map.

4. If the claim is a placer or millsite claim with exterior limits conforming to legal subdivisions of the public survey, provide a legal description of the claim \_\_\_\_\_

AMC448250

Form MCF100a  
Revised July 2014

This form is available from the Arizona Geology Survey and may be reproduced.

Gold Road Mining Corp.  
Suite 450, 1090 West Georgia Street  
Vancouver, BC V6E 3V7 Canada

LOCATION NOTICE FOR LODE MINING CLAIM

Amendment BLM Serial # \_\_\_\_\_

NOTICE IS HEREBY GIVEN that the GRMC 59  
\_\_\_\_\_ lode mining claim has been located  
by Gold Road Mining Corp. whose current mailing  
address is Suite 450, 1090 West Georgia Street  
Vancouver, BC V6E 3V7 Canada

BLM  
Date  
Stamp  
PHOENIX, ARIZONA  
DEC 20 A 10:19  
RECEIVED  
BLM STATE OFFICE

The general course of this claim is Northwest-Southeast and it is situated in Mohave  
County, Arizona. This claim is 1500 feet in length and 600 feet in width.

20 Total Claim Acreage. This claim runs from the location monument on which this location notice  
is posted on the centerline of the claim approximately 20 feet in a SE direction to the SE  
end line and 1480 feet in a NW direction to the NW end line. This claim is marked by six  
monuments, one at each corner and one at the center of each end line of the claim.

The location monument on which this notice is posted is situated within Section 10, Township 19  
N, Range 20 W, Gila Salt River Base and Meridian, Arizona and this claim encompasses portions  
of the following quarter section(s), section(s), Township(s) and Range(s) \_\_\_\_\_

SW1/4 Sec.3, NW1/4 Sec. 10 T19N R20W  
Gila Salt River Base and Meridian, Arizona.

The locality of this claim with reference to some natural object or permanent monument and additional information  
(if any) concerning its locality are as follows: \_\_\_\_\_

NW claim corner is 776'E 1,152'N from SW corner of Sec. 3 T19N R20W

\_\_\_\_\_ The above information is shown on the attached map.

DATED AND POSTED on the ground this 28th day of November, 20 17.

LOCATOR(s)  AGENT

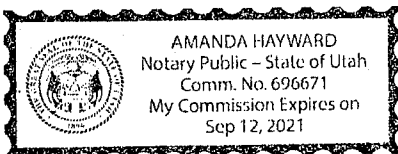
Print Name(s) Stuart Burgess

Signature(s) \_\_\_\_\_

State of Utah  
County of Salt Lake

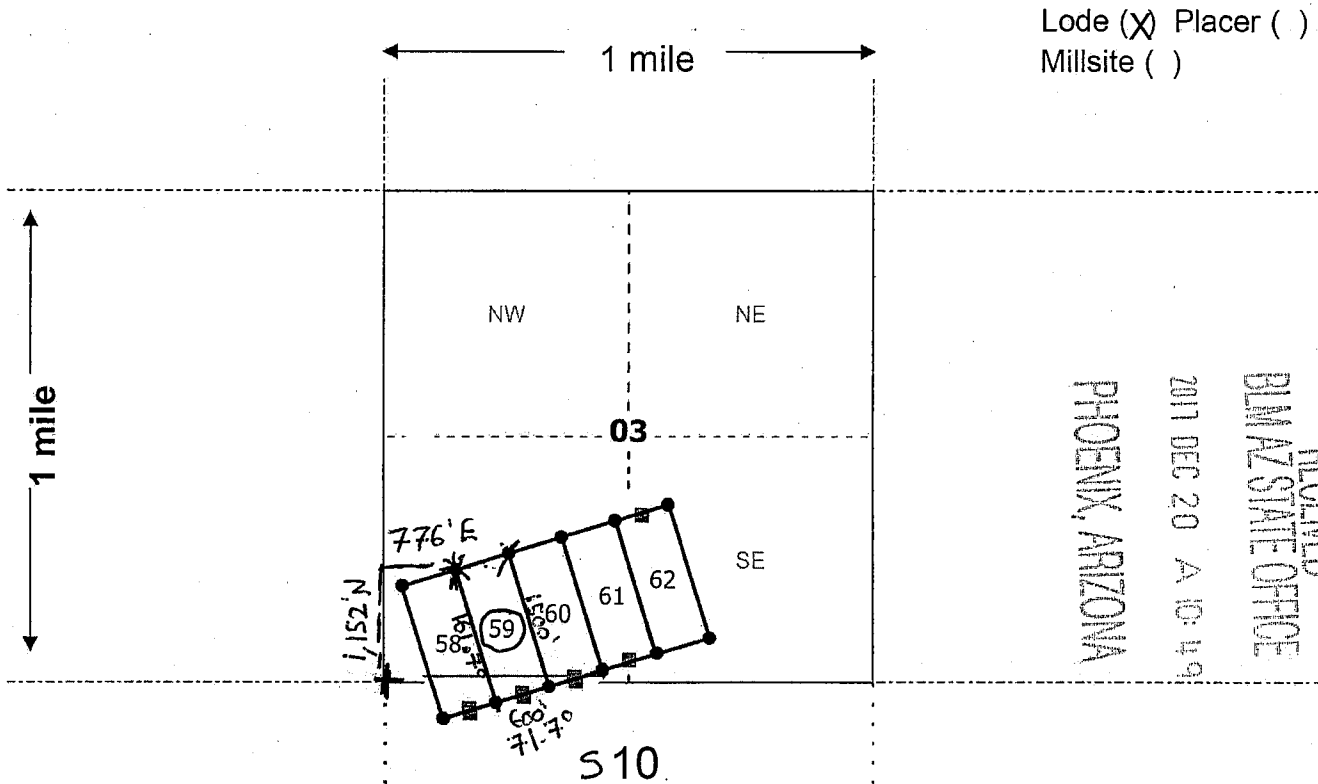
This instrument was signed and sworn to before me  
on 12/2/17 by Stuart Burgess  
(Name of signer)

ASH  
(Notary Signature)  
[Affix seal/stamp to the left or below]



AHC448250

**MINING CLAIM MAP**



Scale: 1" = 2000 feet



- The above map depicts the GRMC 59 mining claim, which is located in Section (s) 3,10, Township 19 N, Range 20 W, Gila and Salt River Base and Meridian, Mohave County, Arizona. Total claim acreage is 20
- The type of corner and location monuments used are as follows: 2"X2"X50" wooden posts with metal tags or rock monument
- The bearings and distances in degrees and feet between claim corners and to a public land survey monument are as depicted on the map.
- If the claim is a placer or millsite claim with exterior limits conforming to legal subdivisions of the public survey, provide a legal description of the claim \_\_\_\_\_

Form MCF100a  
Revised July 2014

This form is available from the Arizona Geology Survey and may be reproduced.

AMC 4 8250



2E

Gold Road Mining Corp.  
Suite 450, 1090 West Georgia Street  
Vancouver, BC V6E 3V7 Canada

WHEN RECORDED MAIL TO (MC):

FENNEMORE CRAIG  
2394 EAST CAMELBACK RD  
SUITE 600  
PHOENIX AZ 85016

FEE# 2017062239

OFFICIAL RECORDS  
OF MOHAVE COUNTY  
KRISTI BLAIR,  
COUNTY RECORDER



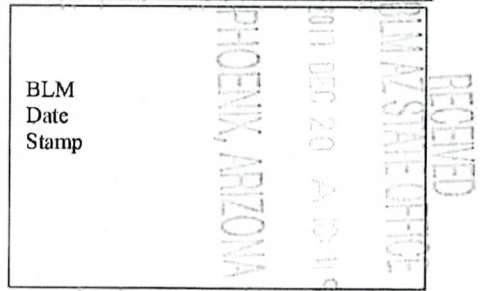
12/26/2017 02:27 PM Fee: \$10.00

PAGE: 1 of 2

LOCATION NOTICE FOR LODE MINING CLAIM

Amendment BLM Serial # \_\_\_\_\_

NOTICE IS HEREBY GIVEN that the GRMC 60  
\_\_\_\_\_ lode mining claim has been located  
by Gold Road Mining Corp whose current mailing  
address is Suite 450, 1090 West Georgia Street  
Vancouver, BC V6E 3V7 Canada



The general course of this claim is Northwest-Southeast and it is situated in Mohave  
County, Arizona. This claim is 1500 feet in length and 600 feet in width.

20 Total Claim Acreage. This claim runs from the location monument on which this location notice  
is posted on the centerline of the claim approximately 20 feet in a SE direction to the SE  
end line and 1480 feet in a NW direction to the NW end line. This claim is marked by six  
monuments, one at each corner and one at the center of each end line of the claim.

The location monument on which this notice is posted is situated within Section 10, Township 19  
N, Range 20 W, Gila Salt River Base and Meridian, Arizona and this claim encompasses portions  
of the following quarter section(s), section(s), Township(s) and Range(s) \_\_\_\_\_  
SW 1/4 Sec. 3, NW1/4 Sec. 10 T19N R20W

Gila Salt River Base and Meridian, Arizona.

The locality of this claim with reference to some natural object or permanent monument and additional information  
(if any) concerning its locality are as follows: \_\_\_\_\_

NW claim corner is 1,352'E 1,330'N from SW corner of Sec. 3 T19N R20W

\_\_\_\_\_ The above information is shown on the attached map.

DATED AND POSTED on the ground this 28<sup>th</sup> day of November, 20 17.

LOCATOR(s)  AGENT

Print Name(s) Stuart Burgess

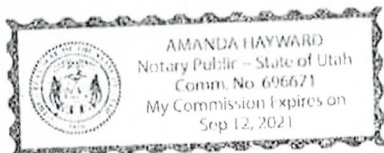
Signature(s) \_\_\_\_\_

State of Utah  
County of Salt Lake

This instrument was signed and sworn to before me  
on 12/2/17 by Stuart Burgess  
(Name of signer)

[Signature]  
(Notary Signature)

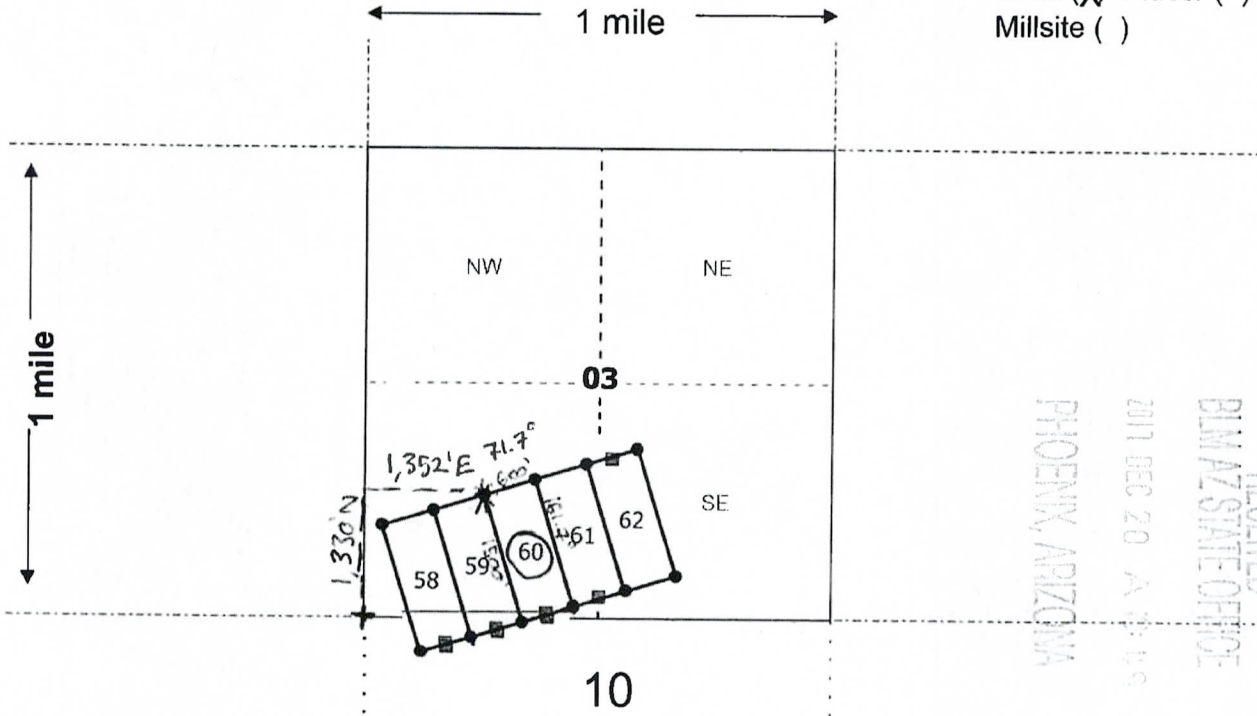
[Affix seal/stamp to the left or below]



AMC448251

**MINING CLAIM MAP**

Lode (X) Placer ( )  
Millsite ( )



RECEIVED  
 BLM AZ STATE OFFICE  
 2011 DEC 20 A 10:49  
 PHOENIX, ARIZONA

Scale: 1" = 2000 feet



1. The above map depicts the GRMC 60 mining claim, which is located in Section (s) 3, 10, Township 19 N, Range 20 W, Gila and Salt River Base and Meridian, Mohave County, Arizona. Total claim acreage is 20

2. The type of corner and location monuments used are as follows: 2"X2"X50" wooden posts with metal tags or rock monument

3. The bearings and distances in degrees and feet between claim corners and to a public land survey monument are as depicted on the map.

4. If the claim is a placer or millsite claim with exterior limits conforming to legal subdivisions of the public survey, provide a legal description of the claim \_\_\_\_\_

AMC 448251

**Form MCF100a**  
Revised July 2014

This form is available from the **Arizona Geology Survey** and may be reproduced.

Gold Road Mining Corp.  
Suite 450, 1090 West Georgia Street  
Vancouver, BC V6E 3V7 Canada

LOCATION NOTICE FOR LODE MINING CLAIM

Amendment BLM Serial # \_\_\_\_\_

NOTICE IS HEREBY GIVEN that the GRMC 60  
\_\_\_\_\_ lode mining claim has been located  
by Gold Road Mining Corp. whose current mailing  
address is Suite 450, 1090 West Georgia Street  
Vancouver, BC V6E 3V7 Canada

RECEIVED  
BLM STATE OFFICE  
PHOENIX, ARIZONA  
2017 DEC 20 A 10:49  
BLM  
Date  
Stamp

The general course of this claim is Northwest-Southeast and it is situated in Mohave  
County, Arizona. This claim is 1500 feet in length and 600 feet in width.

20 Total Claim Acreage. This claim runs from the location monument on which this location notice  
is posted on the centerline of the claim approximately 20 feet in a SE direction to the SE  
end line and 1480 feet in a NW direction to the NW end line. This claim is marked by six  
monuments, one at each corner and one at the center of each end line of the claim.

The location monument on which this notice is posted is situated within Section 10, Township 19  
N, Range 20 W, Gila Salt River Base and Meridian, Arizona and this claim encompasses portions  
of the following quarter section(s), section(s), Township(s) and Range(s) \_\_\_\_\_

SW 1/4 Sec. 3, NW1/4 Sec. 10 T19N R20W  
Gila Salt River Base and Meridian, Arizona.

The locality of this claim with reference to some natural object or permanent monument and additional information  
(if any) concerning its locality are as follows: \_\_\_\_\_

NW claim corner is 1,352'E 1,330'N from SW corner of Sec. 3 T19N R20W

\_\_\_\_\_ The above information is shown on the attached map.

DATED AND POSTED on the ground this 28<sup>th</sup> day of November, 20 17.

LOCATOR(s)  AGENT

Print Name(s) Stuart Burgess

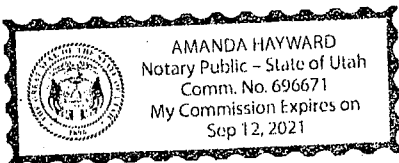
Signature(s) \_\_\_\_\_

State of Utah  
County of Salt Lake

This instrument was signed and sworn to before me  
on 12/2/17 by Stuart Burgess  
(Name of signor)

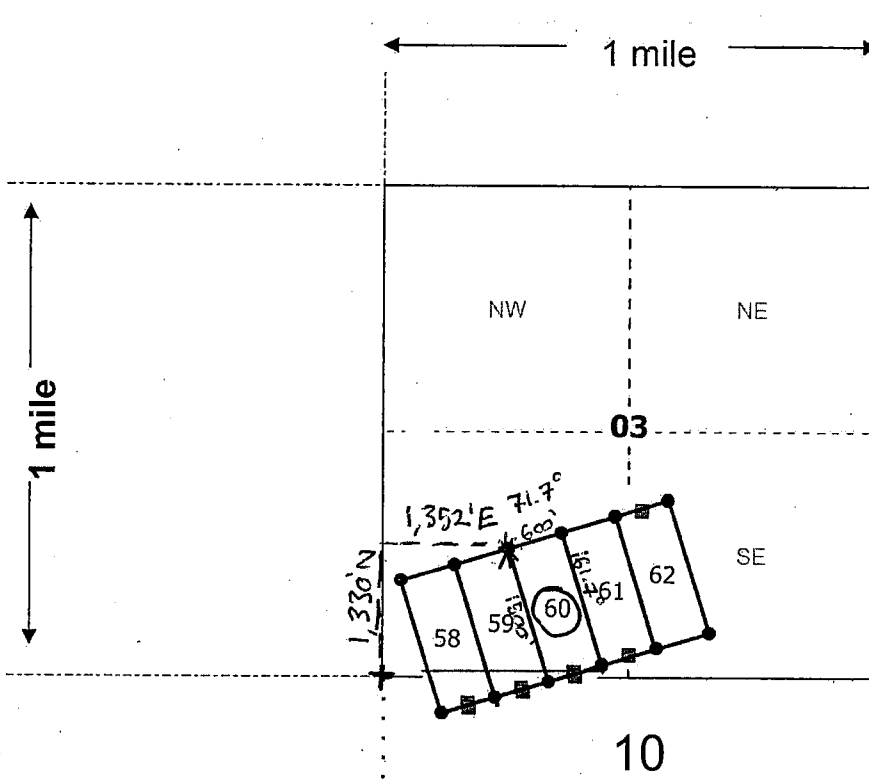
[Signature]  
(Notary Signature)

[Affix seal/stamp to the left or below]



AMC448251

**MINING CLAIM MAP**



Lode (X) Placer ( )  
Millsite ( )

RECEIVED  
BIA AZ STATE OFFICE  
2017 DEC 20 A 10:49  
PHOENIX, ARIZONA

Scale: 1" = 2000 feet



1. The above map depicts the GRMC 60 mining claim, which is located in Section (s) 3, 10, Township 19 N, Range 20 W, Gila and Salt River Base and Meridian, Mohave County, Arizona. Total claim acreage is 20

2. The type of corner and location monuments used are as follows: 2"X2"X50" wooden posts with metal tags or rock monument

3. The bearings and distances in degrees and feet between claim corners and to a public land survey monument are as depicted on the map.

4. If the claim is a placer or millsite claim with exterior limits conforming to legal subdivisions of the public survey, provide a legal description of the claim \_\_\_\_\_

Form MCF100a  
Revised July 2014

This form is available from the Arizona Geology Survey and may be reproduced.

AMC 448251

2E

Gold Road Mining Corp.  
Suite 450, 1090 West Georgia Street  
Vancouver, BC V6E 3V7 Canada

FEE# 2017062240

OFFICIAL RECORDS  
OF MOHAVE COUNTY  
KRISTI BLAIR,  
COUNTY RECORDER



12/26/2017 02:27 PM Fee: \$10.00

PAGE: 1 of 2

WHEN RECORDED MAIL TO (MC):

FENNEMORE CRAIG  
2394 EAST CAMELBACK RD  
SUITE 600  
PHOENIX AZ 85016

LOCATION NOTICE FOR LODE MINING CLAIM

Amendment BLM Serial # \_\_\_\_\_

NOTICE IS HEREBY GIVEN that the GRMC 61  
\_\_\_\_\_ lode mining claim has been located  
by Gold Road Mining Corp. whose current mailing  
address is Suite 450, 1090 West Georgia Street  
Vancouver, BC V6E 3V7 Canada

BLM  
Date  
Stamp  
PHOENIX, ARIZONA  
2017 DEC 20 A 5:19  
RECEIVED  
DIA AZ STATE OFFICE  
DIA AZ STATE OFFICE

The general course of this claim is Northwest-Southeast and it is situated in Mohave  
County, Arizona. This claim is 1500 feet in length and 600 feet in width.

20 Total Claim Acreage. This claim runs from the location monument on which this location notice  
is posted on the centerline of the claim approximately 20 feet in a SE direction to the SE  
end line and 1480 feet in a NW direction to the NW end line. This claim is marked by six  
monuments, one at each corner and one at the center of each end line of the claim.

The location monument on which this notice is posted is situated within Section 3, Township 19  
N, Range 20 W, Gila Salt River Base and Meridian, Arizona and this claim encompasses portions  
of the following quarter section(s), section(s), Township(s) and Range(s) \_\_\_\_\_  
SW1/4, SE1/4 Sec. 3 T19N R20W

Gila Salt River Base and Meridian, Arizona.

The locality of this claim with reference to some natural object or permanent monument and additional information  
(if any) concerning its locality are as follows: \_\_\_\_\_

NW claim corner is 1,921' E 1,502' N from SW corner of Sec. 3 T19N R20W

\_\_\_\_\_ The above information is shown on the attached map.

DATED AND POSTED on the ground this 28th day of November, 2017.

LOCATOR(s)  AGENT

Print Name(s) Stuart Burgess

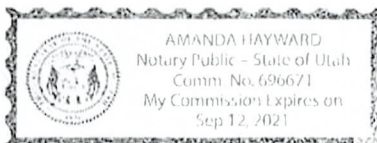
Signature(s) \_\_\_\_\_

State of Utah  
County of Salt Lake

This instrument was signed and sworn to before me  
on 12/2/17 by Stuart Burgess  
(Name of signer)

AKH  
(Notary Signature)

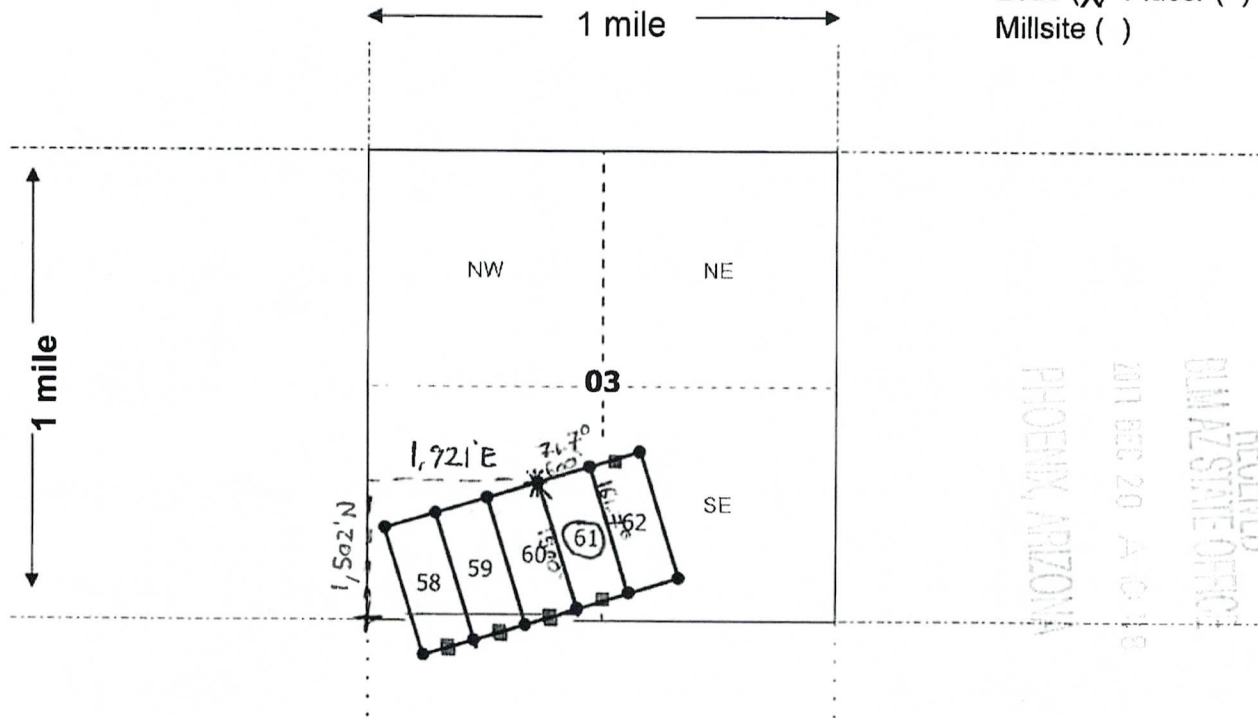
[Affix seal/stamp to the left or below]



AMC448252

**MINING CLAIM MAP**

Lode (X) Placer ( )  
Millsite ( )



Scale: 1" = 2000 feet



1. The above map depicts the GRMC 61 mining claim, which is located in Section (s) 3, Township 19 N, Range 20 W, Gila and Salt River Base and Meridian, Mohave County, Arizona. Total claim acreage is 20
2. The type of corner and location monuments used are as follows: 2"X2"X50" wooden posts with metal tags or rock monument
3. The bearings and distances in degrees and feet between claim corners and to a public land survey monument are as depicted on the map.
4. If the claim is a placer or millsite claim with exterior limits conforming to legal subdivisions of the public survey, provide a legal description of the claim \_\_\_\_\_

AMC 4 8252

Form MCF100a  
Revised July 2014

This form is available from the **Arizona Geology Survey** and may be reproduced.

Gold Road Mining Corp.  
Suite 450, 1090 West Georgia Street  
Vancouver, BC V6E 3V7 Canada

LOCATION NOTICE FOR LODE MINING CLAIM

Amendment BLM Serial # \_\_\_\_\_

NOTICE IS HEREBY GIVEN that the GRMC 61

\_\_\_\_\_ lode mining claim has been located

by Gold Road Mining Corp whose current mailing  
address is Suite 450, 1090 West Georgia Street  
Vancouver, BC V6E 3V7 Canada

RECEIVED  
BLM STATE OFFICE  
DENVER OFFICE  
2017 DEC 20 A 10:19  
PHOENIX, ARIZONA  
BLM  
Date  
Stamp

The general course of this claim is Northwest-Southeast and it is situated in Mohave  
County, Arizona. This claim is 1500 feet in length and 600 feet in width.

20 Total Claim Acreage. This claim runs from the location monument on which this location notice  
is posted on the centerline of the claim approximately 20 feet in a SE direction to the SE  
end line and 1480 feet in a NW direction to the NW end line. This claim is marked by six  
monuments, one at each corner and one at the center of each end line of the claim.

The location monument on which this notice is posted is situated within Section 3, Township 19  
N, Range 20 W, Gila Salt River Base and Meridian, Arizona and this claim encompasses portions  
of the following quarter section(s), section(s), Township(s) and Range(s) \_\_\_\_\_

SW1/4, SE1/4 Sec. 3 T19N R20W

Gila Salt River Base and Meridian, Arizona.

The locality of this claim with reference to some natural object or permanent monument and additional information  
(if any) concerning its locality are as follows: \_\_\_\_\_

NW claim corner is 1,921' E 1,502' N from SW corner of Sec. 3 T19N R20W

\_\_\_\_\_ The above information is shown on the attached map.

DATED AND POSTED on the ground this 28th day of November, 20 17.

LOCATOR(s)  AGENT

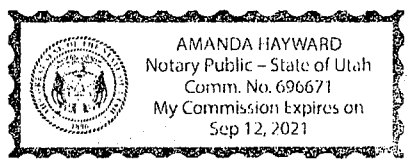
Print Name(s) Stuart Burgess

Signature(s) \_\_\_\_\_

State of Utah  
County of Salt Lake

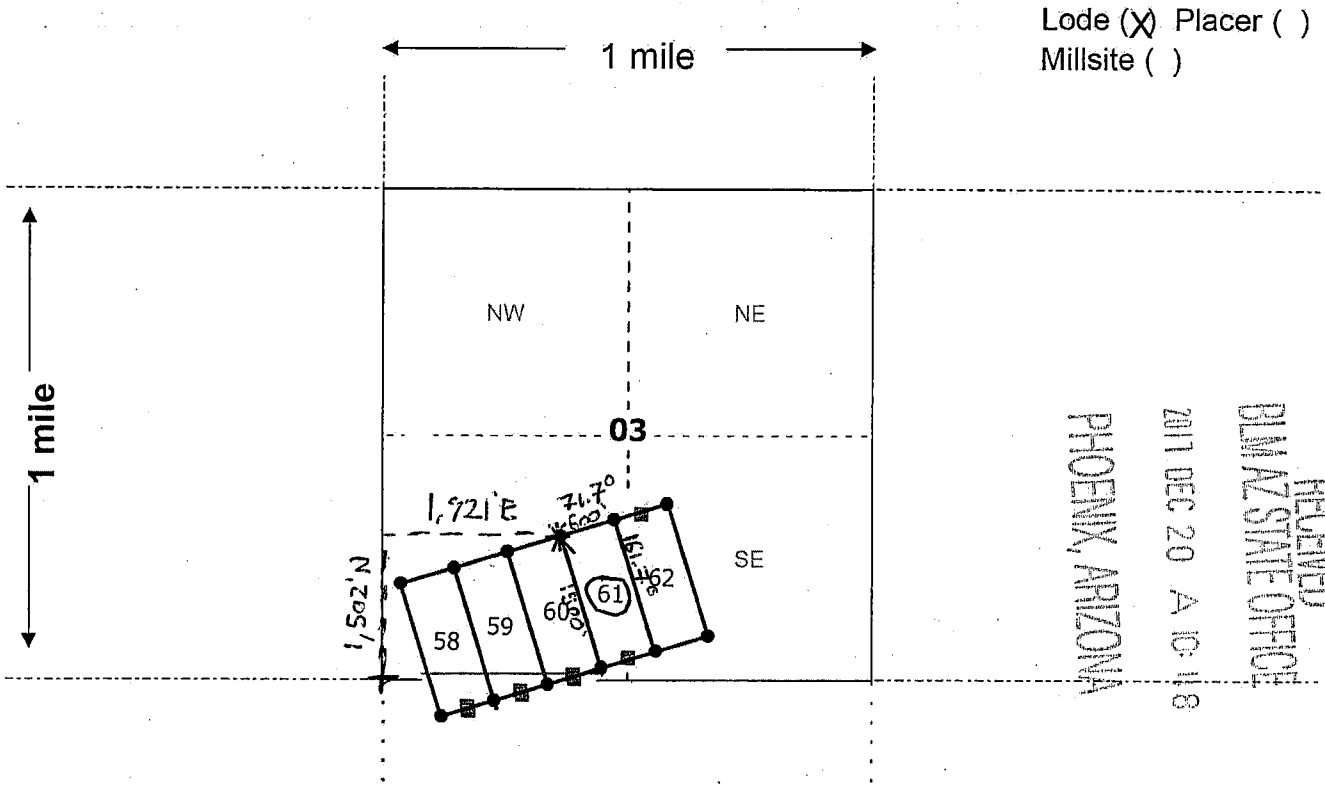
This instrument was signed and sworn to before me  
on 12/2/17 by Stuart Burgess  
(Name of signer)

ASH  
(Notary Signature)  
[Affix seal/stamp to the left or below]



AMC448252

**MINING CLAIM MAP**



Scale: 1" = 2000 feet



1. The above map depicts the GRMC 61 mining claim, which is located in Section (s) 3, Township 19 N, Range 20 W, Gila and Salt River Base and Meridian, Mohave County, Arizona. Total claim acreage is 20
2. The type of corner and location monuments used are as follows: 2"X2"X50" wooden posts with metal tags or rock monument
3. The bearings and distances in degrees and feet between claim corners and to a public land survey monument are as depicted on the map.
4. If the claim is a placer or millsite claim with exterior limits conforming to legal subdivisions of the public survey, provide a legal description of the claim \_\_\_\_\_

Form MCF100a  
Revised July 2014

This form is available from the Arizona Geology Survey and may be reproduced.

AMC448252



2E

Gold Road Mining Corp.  
Suite 450, 1090 West Georgia Street  
Vancouver, BC V6E 3V7 Canada

WHEN RECORDED MAIL TO (MC):

FENNEMORE CRAIG  
2394 EAST CAMELBACK RD  
SUITE 600  
PHOENIX AZ 85016

FEE# 2017062241

OFFICIAL RECORDS  
OF MOHAVE COUNTY  
KRISTI BLAIR,  
COUNTY RECORDER



12/26/2017 02:27 PM Fee: \$10.00

PAGE: 1 of 2

LOCATION NOTICE FOR LODE MINING CLAIM

Amendment BLM Serial # \_\_\_\_\_

NOTICE IS HEREBY GIVEN that the GRMC 62  
\_\_\_\_\_ lode mining claim has been located  
by Gold Road Mining Corp. whose current mailing  
address is Suite 450, 1090 West Georgia Street  
Vancouver, BC V6E 3V7 Canada

RECEIVED  
PHOENIX, ARIZONA  
2017 DEC 20 A 10:18  
BLM AZ OFFICE  
PHOENIX AZ OFFICE

BLM  
Date  
Stamp

The general course of this claim is Northwest-Southeast and it is situated in Mohave  
County, Arizona. This claim is 1500 feet in length and 600 feet in width.

20 Total Claim Acreage. This claim runs from the location monument on which this location notice  
is posted on the centerline of the claim approximately 20 feet in a NW direction to the NW  
end line and 1480 feet in a SE direction to the SE end line. This claim is marked by six  
monuments, one at each corner and one at the center of each end line of the claim.

The location monument on which this notice is posted is situated within Section 3, Township 19  
N, Range 20 W, Gila Salt River Base and Meridian, Arizona and this claim encompasses portions  
of the following quarter section(s), section(s), Township(s) and Range(s) \_\_\_\_\_  
SW1/4, SE 1/4 Sec.3 T19N R20W

Gila Salt River Base and Meridian, Arizona.

The locality of this claim with reference to some natural object or permanent monument and additional information  
(if any) concerning its locality are as follows: \_\_\_\_\_

NW claim corner is 2,496' E 1,680' N from SW corner of Sec.3 T19N R20W

\_\_\_\_\_ The above information is shown on the attached map.

DATED AND POSTED on the ground this 28th day of November, 20 17.

LOCATOR(s)  AGENT

Print Name(s) Stuart Burgess

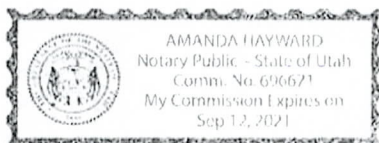
Signature(s) \_\_\_\_\_

State of Utah Salt Lake  
County of \_\_\_\_\_

This instrument was signed and sworn to before me  
on 12/2/17 by Stuart Burgess  
(Name of signor)

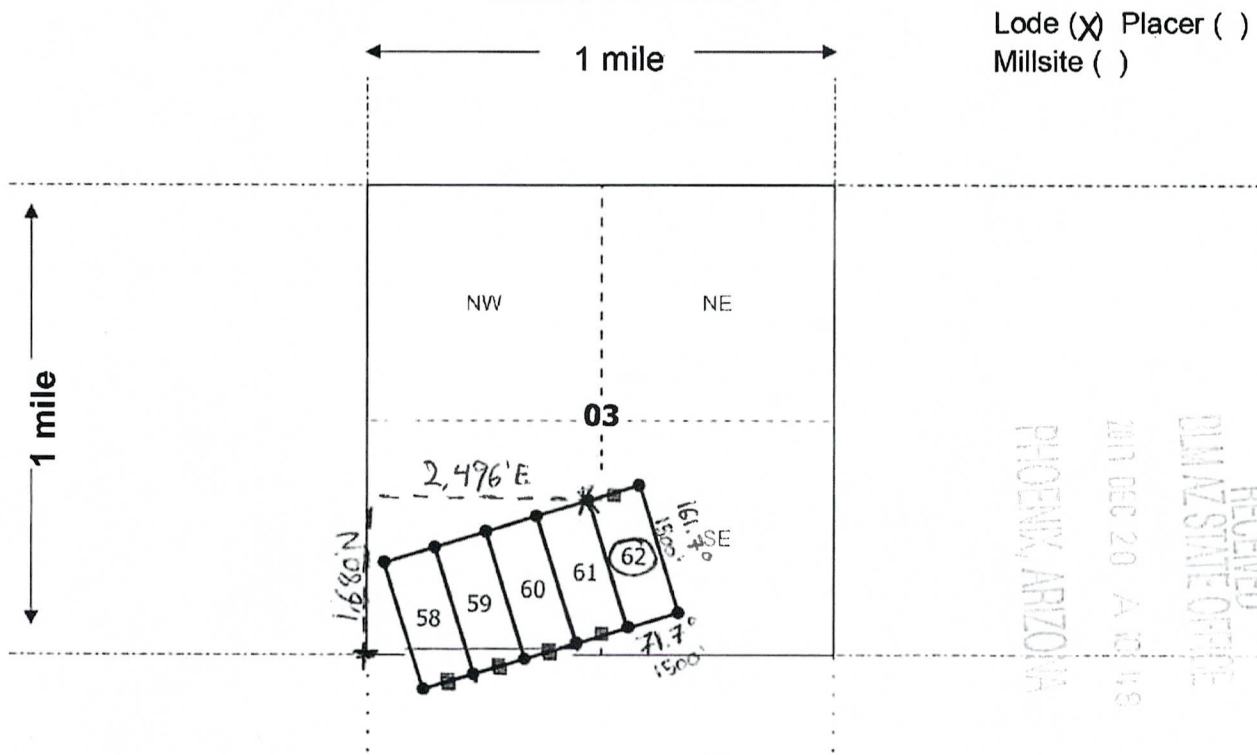
ANH  
(Notary Signature)

[Affix seal/stamp to the left or below]



AMC448253

**MINING CLAIM MAP**



Lode (X) Placer ( )  
Millsite ( )

RECEIVED  
 DILVAZ STATE OFFICE  
 JAN DEC 20 A 10:48  
 PHOENIX, ARIZONA

Scale: 1" = 2000 feet



1. The above map depicts the GRMC 62 mining claim, which is located in Section (s) 3, Township 19 N, Range 20 W, Gila and Salt River Base and Meridian, Mohave County, Arizona. Total claim acreage is 20
2. The type of corner and location monuments used are as follows: 2"X2"X50" wooden posts with metal tags or rock monument
3. The bearings and distances in degrees and feet between claim corners and to a public land survey monument are as depicted on the map.
4. If the claim is a placer or millsite claim with exterior limits conforming to legal subdivisions of the public survey, provide a legal description of the claim \_\_\_\_\_

AMC 448253

**Form MCF100a**  
Revised July 2014

This form is available from the **Arizona Geology Survey** and may be reproduced.

Gold Road Mining Corp.  
Suite 450, 1090 West Georgia Street  
Vancouver, BC V6E 3V7 Canada

LOCATION NOTICE FOR LODE MINING CLAIM

Amendment BLM Serial # \_\_\_\_\_

NOTICE IS HEREBY GIVEN that the GRMC 62  
\_\_\_\_\_ lode mining claim has been located  
by Gold Road Mining Corp. whose current mailing  
address is Suite 450, 1090 West Georgia Street  
Vancouver, BC V6E 3V7 Canada

RECEIVED  
BLM AZ STATE OFFICE  
2017 DEC 20 A 10:18  
PHOENIX, ARIZONA  
BLM  
Date  
Stamp

The general course of this claim is Northwest-Southeast and it is situated in Mohave  
County, Arizona. This claim is 1500 feet in length and 600 feet in width.

20 Total Claim Acreage. This claim runs from the location monument on which this location notice  
is posted on the centerline of the claim approximately 20 feet in a NW direction to the NW  
end line and 1480 feet in a SE direction to the SE end line. This claim is marked by six  
monuments, one at each corner and one at the center of each end line of the claim.

The location monument on which this notice is posted is situated within Section 3, Township 19  
N, Range 20 W, Gila Salt River Base and Meridian, Arizona and this claim encompasses portions  
of the following quarter section(s), section(s), Township(s) and Range(s) \_\_\_\_\_

SW1/4, SE 1/4 Sec.3 T19N R20W  
Gila Salt River Base and Meridian, Arizona.

The locality of this claim with reference to some natural object or permanent monument and additional information  
(if any) concerning its locality are as follows: \_\_\_\_\_

NW claim corner is 2,496' E 1,680' N from SW corner of Sec.3 T19N R20W

\_\_\_\_\_ The above information is shown on the attached map.

DATED AND POSTED on the ground this 28th day of November, 2017.

LOCATOR(s)  AGENT

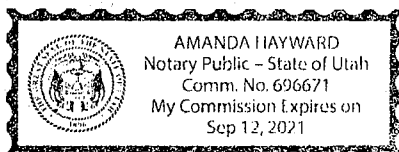
Print Name(s) Stuart Burgess

Signature(s) \_\_\_\_\_

State of Utah  
County of Salt Lake

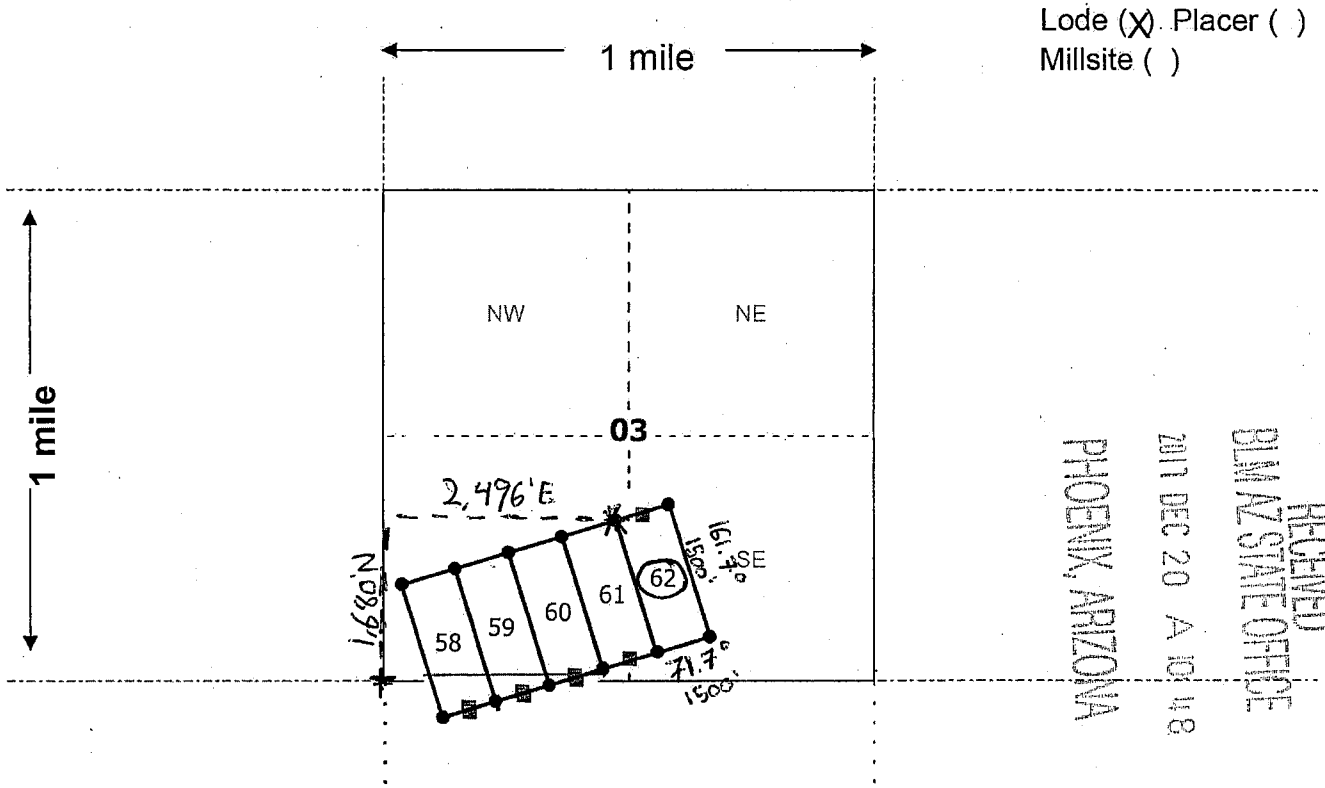
This instrument was signed and sworn to before me  
on 12/2/17 by Stuart Burgess  
(Name of signor)

AMH  
(Notary Signature)  
[Affix seal/stamp to the left or below]



AMC448253

**MINING CLAIM MAP**



Lode (X) Placer ( )  
Millsite ( )

RECEIVED  
 BLM STATE OFFICE  
 2017 DEC 20 AM 10:48  
 PHOENIX, ARIZONA

Scale: 1" = 2000 feet



1. The above map depicts the GRMC 62 mining claim, which is located in Section (s) 3, Township 19 N, Range 20 W, Gila and Salt River Base and Meridian, Mohave County, Arizona. Total claim acreage is 20

2. The type of corner and location monuments used are as follows: 2"X2"X50" wooden posts with metal tags or rock monument

3. The bearings and distances in degrees and feet between claim corners and to a public land survey monument are as depicted on the map.

4. If the claim is a placer or millsite claim with exterior limits conforming to legal subdivisions of the public survey, provide a legal description of the claim \_\_\_\_\_

Form MCF100a  
Revised July 2014

This form is available from the Arizona Geology Survey and may be reproduced.

AMC 448253

2E

Gold Road Mining Corp.  
Suite 450, 1090 West Georgia Street  
Vancouver, BC V6E 3V7 Canada

**FEE# 2017062242**

OFFICIAL RECORDS  
OF MOHAVE COUNTY  
KRISTI BLAIR,  
COUNTY RECORDER



12/26/2017 02:27 PM Fee: \$10.00

PAGE: 1 of 2

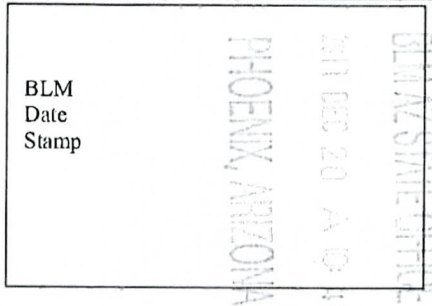
WHEN RECORDED MAIL TO (MC):

FENNEMORE CRAIG  
2394 EAST CAMELBACK RD  
SUITE 600  
PHOENIX AZ 85016

**LOCATION NOTICE FOR LODE MINING CLAIM**

Amendment BLM Serial # \_\_\_\_\_

NOTICE IS HEREBY GIVEN that the GRMC 63  
\_\_\_\_\_ lode mining claim has been located  
by Gold Road Mining Corp. whose current mailing  
address is Suite 450, 1090 West Georgia Street  
Vancouver, BC V6E 3V7 Canada



AMC448254

The general course of this claim is Northwest-Southeast and it is situated in Mohave  
County, Arizona. This claim is 1500 feet in length and 600 feet in width.

20 Total Claim Acreage. This claim runs from the location monument on which this location notice  
is posted on the centerline of the claim approximately 20 feet in a NW direction to the NW  
end line and 1480 feet in a SE direction to the SE end line. This claim is marked by six  
monuments, one at each corner and one at the center of each end line of the claim.

The location monument on which this notice is posted is situated within Section 9, Township 19  
N, Range 20 W, Gila Salt River Base and Meridian, Arizona and this claim encompasses portions  
of the following quarter section(s), section(s), Township(s) and Range(s) \_\_\_\_\_  
NE1/4, SE 1/4 Sec.9 T19N R20W

Gila Salt River Base and Meridian, Arizona.

The locality of this claim with reference to some natural object or permanent monument and additional information  
(if any) concerning its locality are as follows: \_\_\_\_\_

NW claim corner is 1,338'W 1,476'S from NE corner of Sec. 9 T19N R20W

\_\_\_\_\_ The above information is shown on the attached map.

DATED AND POSTED on the ground this 28th day of November, 2017.

LOCATOR(s)  AGENT

Print Name(s) Stuart Burgess

Signature(s) \_\_\_\_\_

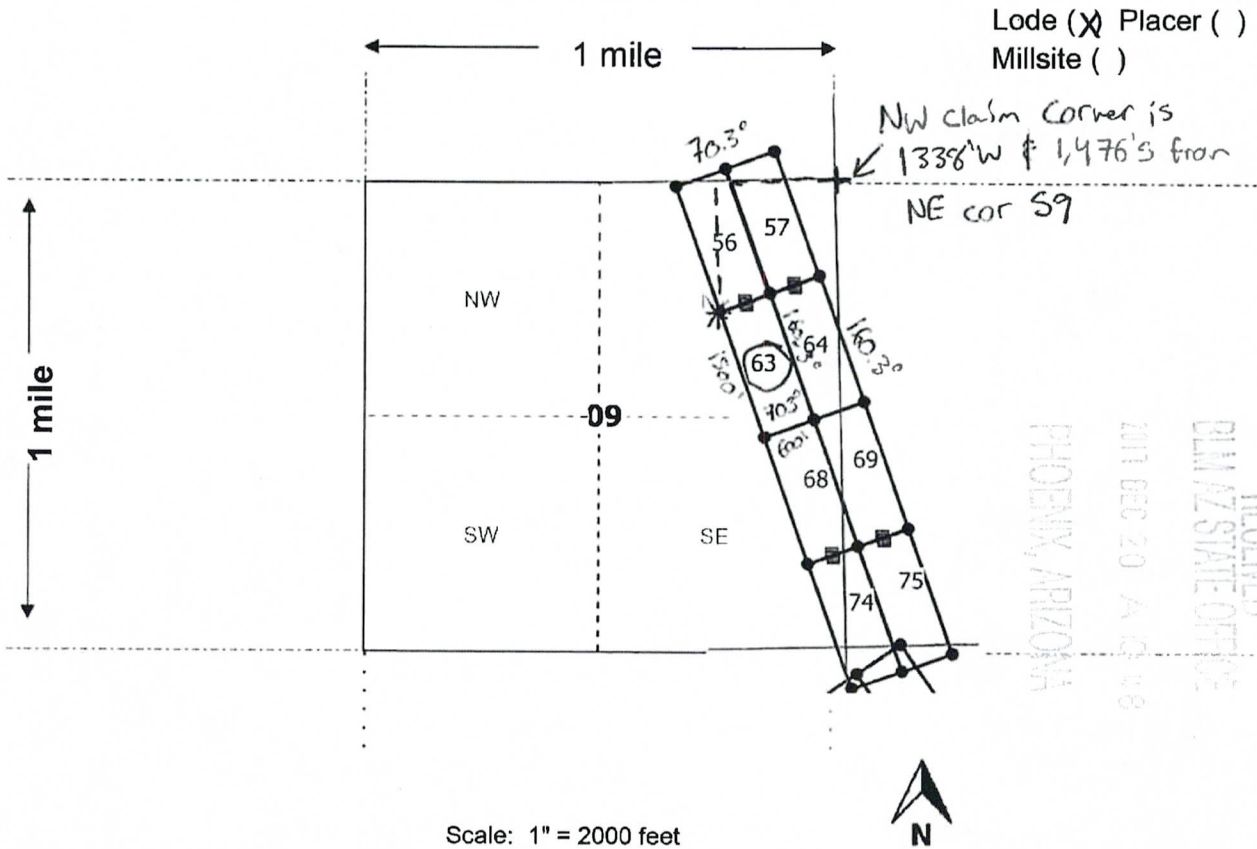
State of Utah  
County of Salt Lake

This instrument was signed and sworn to before me  
on 12/2/17 by Stuart Burgess  
(Name of signer)

AKH  
(Notary Signature)  
[Affix seal/stamp to the left or below]



**MINING CLAIM MAP**



RECEIVED  
 BLM / AZ STATE OFFICE  
 2017 DEC 20 A.M. 10:48  
 PHOENIX, ARIZONA

- The above map depicts the GRMC 63 mining claim, which is located in Section (s) 9, Township 19 N, Range 20 W, Gila and Salt River Base and Meridian, Mohave County, Arizona. Total claim acreage is 20
- The type of corner and location monuments used are as follows: 2"X2"X50" wooden posts with metal tags or rock monument
- The bearings and distances in degrees and feet between claim corners and to a public land survey monument are as depicted on the map.
- If the claim is a placer or millsite claim with exterior limits conforming to legal subdivisions of the public survey, provide a legal description of the claim \_\_\_\_\_

Form MCF100a  
 Revised July 2014

This form is available from the Arizona Geology Survey and may be reproduced.

AMC448254

Gold Road Mining Corp.  
Suite 450, 1090 West Georgia Street  
Vancouver, BC V6E 3V7 Canada

LOCATION NOTICE FOR LODE MINING CLAIM

Amendment BLM Serial # \_\_\_\_\_

NOTICE IS HEREBY GIVEN that the GRMC 63  
\_\_\_\_\_ lode mining claim has been located  
by Gold Road Mining Corp. whose current mailing  
address is Suite 450, 1090 West Georgia Street  
Vancouver, BC V6E 3V7 Canada

BLM  
Date  
Stamp  
2011 DEC 20 A 10:18  
PHOENIX, ARIZONA  
BLM STATE OFFICE

RECEIVED

AMC448254

The general course of this claim is Northwest-Southeast and it is situated in Mohave  
County, Arizona. This claim is 1500 feet in length and 600 feet in width.

20 Total Claim Acreage. This claim runs from the location monument on which this location notice  
is posted on the centerline of the claim approximately 20 feet in a NW direction to the NW  
end line and 1480 feet in a SE direction to the SE end line. This claim is marked by six  
monuments, one at each corner and one at the center of each end line of the claim.

The location monument on which this notice is posted is situated within Section 9, Township 19  
N, Range 20 W, Gila Salt River Base and Meridian, Arizona and this claim encompasses portions  
of the following quarter section(s), section(s), Township(s) and Range(s) \_\_\_\_\_  
NE1/4, SE 1/4 Sec.9 T19N R20W

Gila Salt River Base and Meridian, Arizona.

The locality of this claim with reference to some natural object or permanent monument and additional information  
(if any) concerning its locality are as follows: \_\_\_\_\_

NW claim corner is 1,338'W 1,476'S from NE corner of Sec. 9 T19N R20W

\_\_\_\_\_ The above information is shown on the attached map.

DATED AND POSTED on the ground this 28<sup>th</sup> day of November, 20 17.

LOCATOR(s)  AGENT

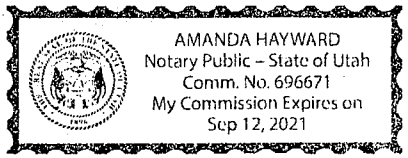
Print Name(s) Stuart Burgess

Signature(s) \_\_\_\_\_

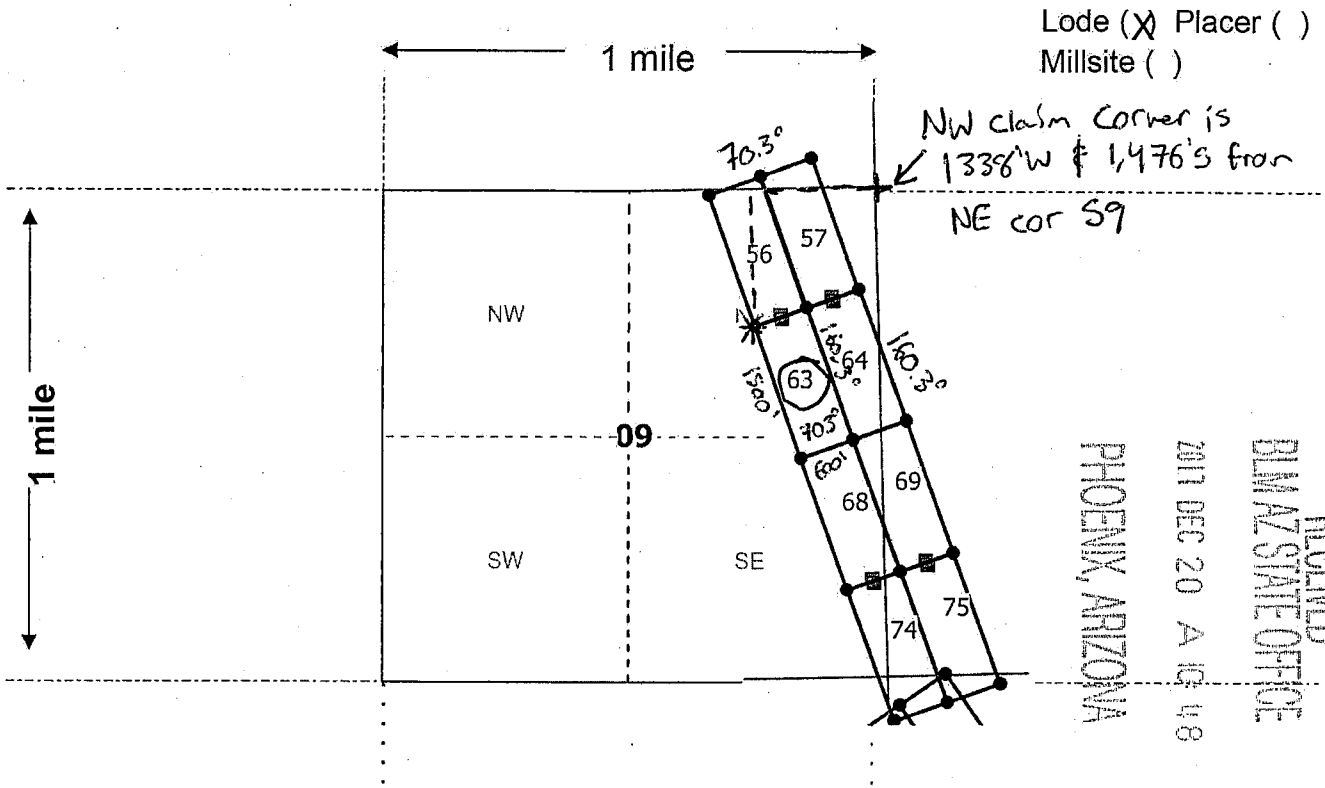
State of Utah  
County of Salt Lake

This instrument was signed and sworn to before me  
on 12/2/17 by Stuart Burgess  
(Name of signor)

AMH  
(Notary Signature)  
[Affix seal/stamp to the left or below]



**MINING CLAIM MAP**



Scale: 1" = 2000 feet

- The above map depicts the GRMC 63 mining claim, which is located in Section (s) 9, Township 19 N, Range 20 W, Gila and Salt River Base and Meridian, Mohave County, Arizona. Total claim acreage is 20
- The type of corner and location monuments used are as follows: 2"X2"X50" wooden posts with metal tags or rock monument
- The bearings and distances in degrees and feet between claim corners and to a public land survey monument are as depicted on the map.
- If the claim is a placer or millsite claim with exterior limits conforming to legal subdivisions of the public survey, provide a legal description of the claim \_\_\_\_\_

Form MCF100a  
Revised July 2014

This form is available from the Arizona Geology Survey and may be reproduced.

AMC 448254



2E

Gold Road Mining Corp.  
Suite 450, 1090 West Georgia Street  
Vancouver, BC V6E 3V7 Canada

FEE# 2017062243

OFFICIAL RECORDS  
OF MOHAVE COUNTY  
KRISTI BLAIR,  
COUNTY RECORDER



12/26/2017 02:27 PM Fee: \$10.00

PAGE: 1 of 2

WHEN RECORDED MAIL TO (MC):

FENNEMORE CRAIG  
2394 EAST CAMELBACK RD  
SUITE 600  
PHOENIX AZ 85016

**LOCATION NOTICE FOR LODE MINING CLAIM**

Amendment BLM Serial # \_\_\_\_\_

NOTICE IS HEREBY GIVEN that the GRMC 64  
\_\_\_\_\_ lode mining claim has been located  
by Gold Road Mining Corp. whose current mailing  
address is Suite 450, 1090 West Georgia Street  
Vancouver, BC V6E 3V7 Canada

BLM  
Date  
Stamp  
PHOENIX, ARIZONA  
2017 DEC 20 A 10:48  
DEPT. OF THE INTERIOR  
BUREAU OF LAND MANAGEMENT  
RECEIVED

The general course of this claim is Northwest-Southeast and it is situated in Mohave  
County, Arizona. This claim is 1500 feet in length and 600 feet in width.

20 Total Claim Acreage. This claim runs from the location monument on which this location notice  
is posted on the centerline of the claim approximately 20 feet in a NW direction to the NW  
end line and 1480 feet in a SE direction to the SE end line. This claim is marked by six  
monuments, one at each corner and one at the center of each end line of the claim.

The location monument on which this notice is posted is situated within Section 9, Township 19  
N, Range 20 W, Gila Salt River Base and Meridian, Arizona and this claim encompasses portions  
of the following quarter section(s), section(s), Township(s) and Range(s) \_\_\_\_\_  
NE1/4, SE 1/4 Sec.9 and NW 1/4 Sec. 10 T19N R20W

Gila Salt River Base and Meridian, Arizona.

The locality of this claim with reference to some natural object or permanent monument and additional information  
(if any) concerning its locality are as follows: \_\_\_\_\_

NW claim corner is 764'W 1,290'S from NW corner of Sec.9 T19N R20W

\_\_\_\_\_ The above information is shown on the attached map.

DATED AND POSTED on the ground this 28th day of November, 20 17.

LOCATOR(s)  AGENT

Print Name(s) Stuart Burgess

Signature(s) \_\_\_\_\_

State of Utah  
County of Salt Lake

This instrument was signed and sworn to before me  
on 12/2/17 by Stuart Burgess  
(Name of signer)

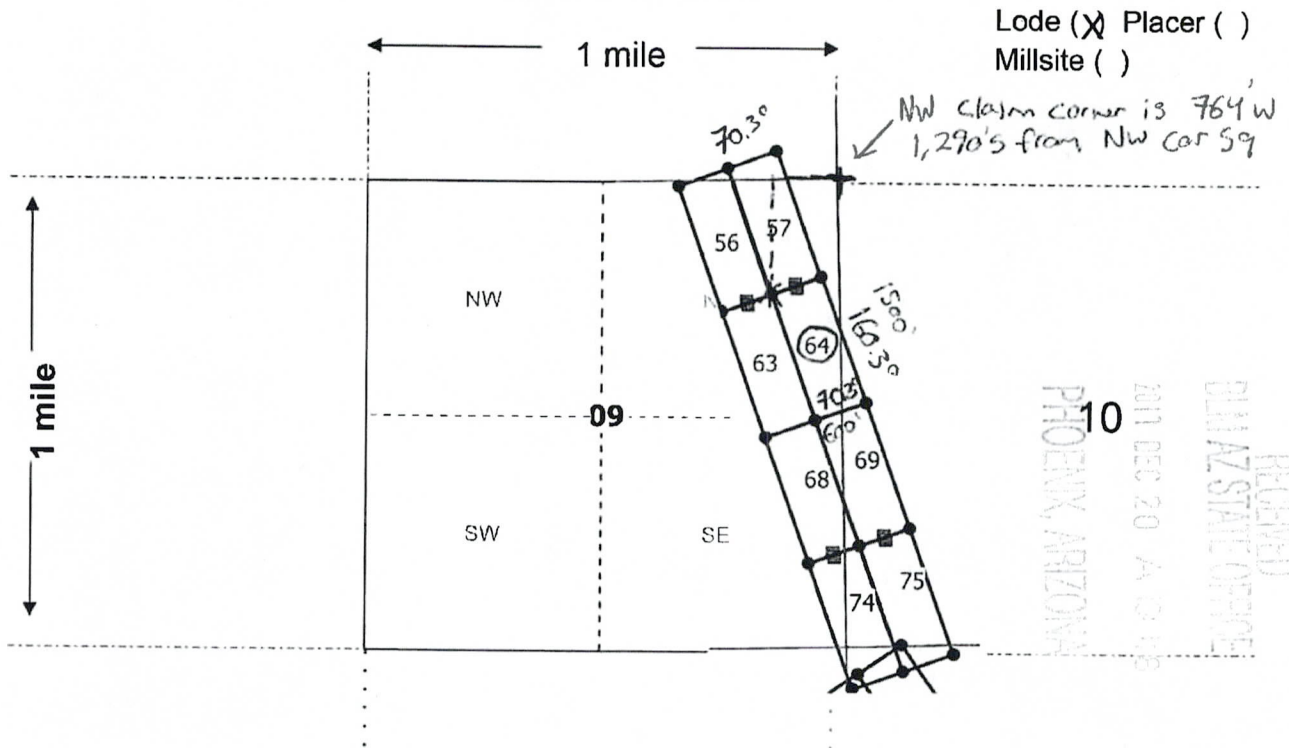
AKH  
(Notary Signature)

[Affix seal/stamp to the left or below]



AMC 448255

**MINING CLAIM MAP**



RECEIVED  
 GILA STATE OFFICE  
 PHOENIX, ARIZONA  
 2011 DEC 20 A 10:48

AMC 448255

1. The above map depicts the GRMC 64 mining claim, which is located in Section (s) 9,10, Township 19 N, Range 20 W, Gila and Salt River Base and Meridian, Mohave County, Arizona. Total claim acreage is 20
2. The type of corner and location monuments used are as follows: 2"X2"X50" wooden posts with metal tags or rock monument
3. The bearings and distances in degrees and feet between claim corners and to a public land survey monument are as depicted on the map.
4. If the claim is a placer or millsite claim with exterior limits conforming to legal subdivisions of the public survey, provide a legal description of the claim \_\_\_\_\_

Form MCF100a  
 Revised July 2014

Gold Road Mining Corp.  
Suite 450, 1090 West Georgia Street  
Vancouver, BC V6E 3V7 Canada

**LOCATION NOTICE FOR LODE MINING CLAIM**

Amendment BLM Serial # \_\_\_\_\_

NOTICE IS HEREBY GIVEN that the GRMC 64  
\_\_\_\_\_ lode mining claim has been located  
by Gold Road Mining Corp. whose current mailing  
address is Suite 450, 1090 West Georgia Street  
Vancouver, BC V6E 3V7 Canada

RECEIVED  
BLM STATE OFFICE  
2017 DEC 20 A 10:48  
PHOENIX, ARIZONA  
BLM  
Date  
Stamp

The general course of this claim is Northwest-Southeast and it is situated in Mohave  
County, Arizona. This claim is 1500 feet in length and 600 feet in width.

20 Total Claim Acreage. This claim runs from the location monument on which this location notice  
is posted on the centerline of the claim approximately 20 feet in a NW direction to the NW  
end line and 1480 feet in a SE direction to the SE end line. This claim is marked by six  
monuments, one at each corner and one at the center of each end line of the claim.

The location monument on which this notice is posted is situated within Section 9, Township 19  
N, Range 20 W, Gila Salt River Base and Meridian, Arizona and this claim encompasses portions  
of the following quarter section(s), section(s), Township(s) and Range(s) \_\_\_\_\_  
NE 1/4, SE 1/4 Sec.9 and NW 1/4 Sec. 10 T19N R20W

Gila Salt River Base and Meridian, Arizona.

The locality of this claim with reference to some natural object or permanent monument and additional information  
(if any) concerning its locality are as follows: \_\_\_\_\_

NW claim corner is 764'W 1,290'S from NW corner of Sec.9 T19N R20W

\_\_\_\_\_ The above information is shown on the attached map.

DATED AND POSTED on the ground this 28<sup>th</sup> day of November, 20 17.

LOCATOR(s)  AGENT

Print Name(s) Stuart Burgess

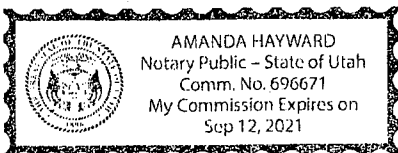
Signature(s) \_\_\_\_\_

State of Utah  
County of Salt Lake

This instrument was signed and sworn to before me  
on 12/2/17 by Stuart Burgess  
(Name of signor)

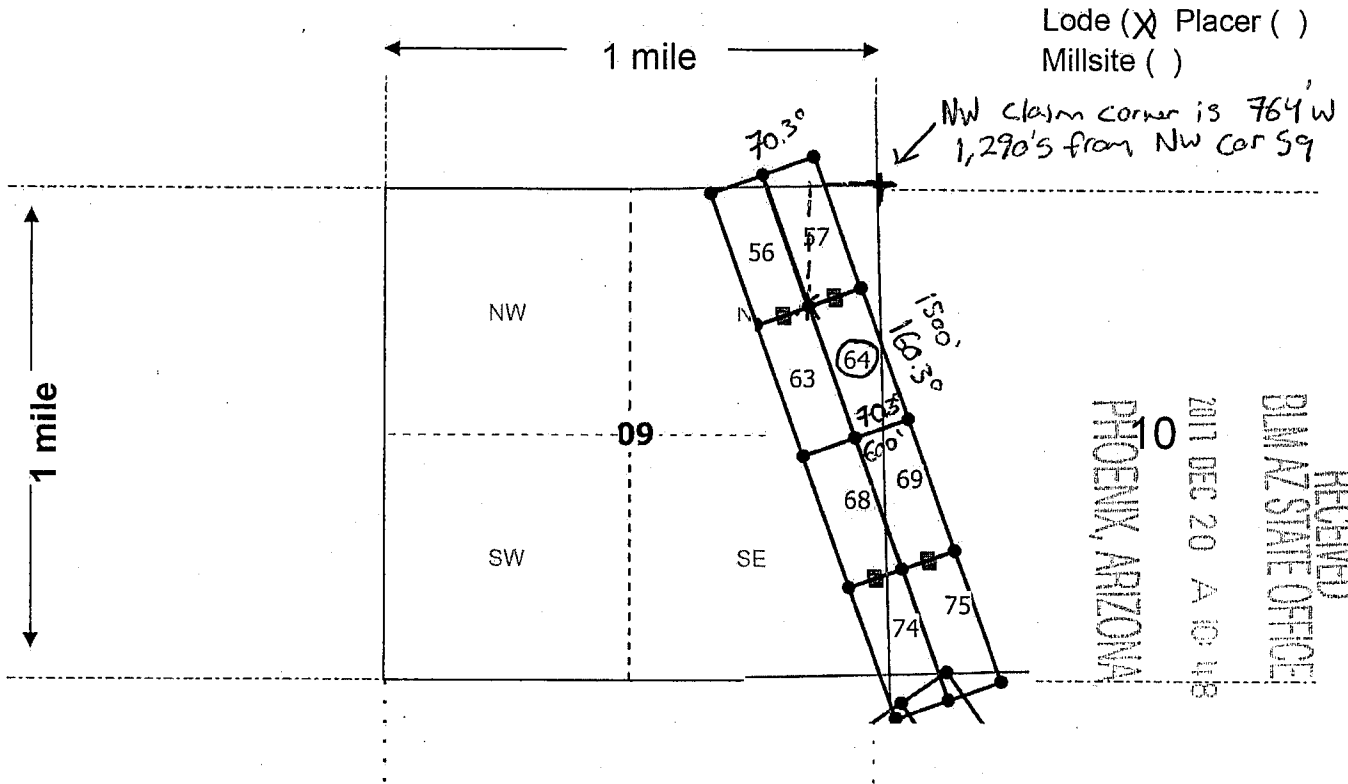
AH  
(Notary Signature)

[Affix seal/stamp to the left or below]



AMC 448255

**MINING CLAIM MAP**



RECEIVED  
 BIAZ STATE OFFICE  
 PHOENIX, ARIZONA  
 2011 DEC 20 A 10:18

Scale: 1" = 2000 feet

1. The above map depicts the GRMC 64 mining claim, which is located in Section (s) 9,10, Township 19 N, Range 20 W, Gila and Salt River Base and Meridian, Mohave County, Arizona. Total claim acreage is 20

2. The type of corner and location monuments used are as follows: 2"X2"X50" wooden posts with metal tags or rock monument

3. The bearings and distances in degrees and feet between claim corners and to a public land survey monument are as depicted on the map.

4. If the claim is a placer or millsite claim with exterior limits conforming to legal subdivisions of the public survey, provide a legal description of the claim \_\_\_\_\_

Form MCF100a  
 Revised July 2014

This form is available from the Arizona Geology Survey and may be reproduced.

AMC 448255

2E

Gold Road Mining Corp.  
Suite 450, 1090 West Georgia Street  
Vancouver, BC V6E 3V7 Canada

WHEN RECORDED MAIL TO (MC):

FENNEMORE CRAIG  
2394 EAST CAMELBACK RD  
SUITE 600  
PHOENIX AZ 85016

**FEE# 2017062244**

OFFICIAL RECORDS  
OF MOHAVE COUNTY  
KRISTI BLAIR,  
COUNTY RECORDER



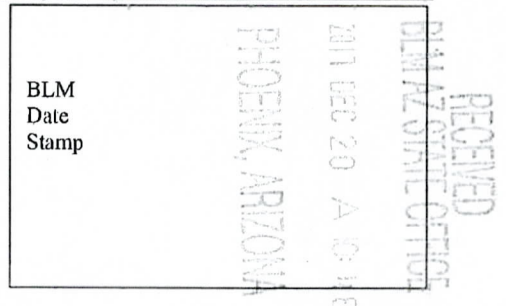
12/26/2017 02:27 PM Fee: \$10.00

PAGE: 1 of 2

**LOCATION NOTICE FOR LODE MINING CLAIM**

Amendment BLM Serial # \_\_\_\_\_

NOTICE IS HEREBY GIVEN that the GRMC 65  
\_\_\_\_\_ lode mining claim has been located  
by Gold Road Mining Corp. whose current mailing  
address is Suite 450, 1090 West Georgia Street  
Vancouver, BC V6E 3V7 Canada



The general course of this claim is Northwest-Southeast and it is situated in Mohave  
County, Arizona. This claim is 1500 feet in length and 600 feet in width.

20 Total Claim Acreage. This claim runs from the location monument on which this location notice  
is posted on the centerline of the claim approximately 20 feet in a NW direction to the NW  
end line and 1480 feet in a SE direction to the SE end line. This claim is marked by six  
monuments, one at each corner and one at the center of each end line of the claim.

The location monument on which this notice is posted is situated within Section 10, Township 19  
N, Range 20 W, Gila Salt River Base and Meridian, Arizona and this claim encompasses portions  
of the following quarter section(s), section(s), Township(s) and Range(s) \_\_\_\_\_  
NW1/4 Sec. 10 T19N R20W

Gila Salt River Base and Meridian, Arizona.

The locality of this claim with reference to some natural object or permanent monument and additional information  
(if any) concerning its locality are as follows: \_\_\_\_\_

NW claim corner is 640'E 458'S from NW corner of Sec.10 T19N R20W

\_\_\_\_\_ The above information is shown on the attached map.

DATED AND POSTED on the ground this 26th day of November, 20 17.

LOCATOR(s)  AGENT

Print Name(s) Stuart Burgess

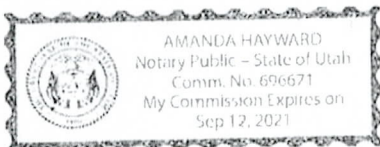
Signature(s) \_\_\_\_\_

State of Utah  
County of Salt Lake

This instrument was signed and sworn to before me  
on 12/2/17 by Stuart Burgess  
(Name of signer)

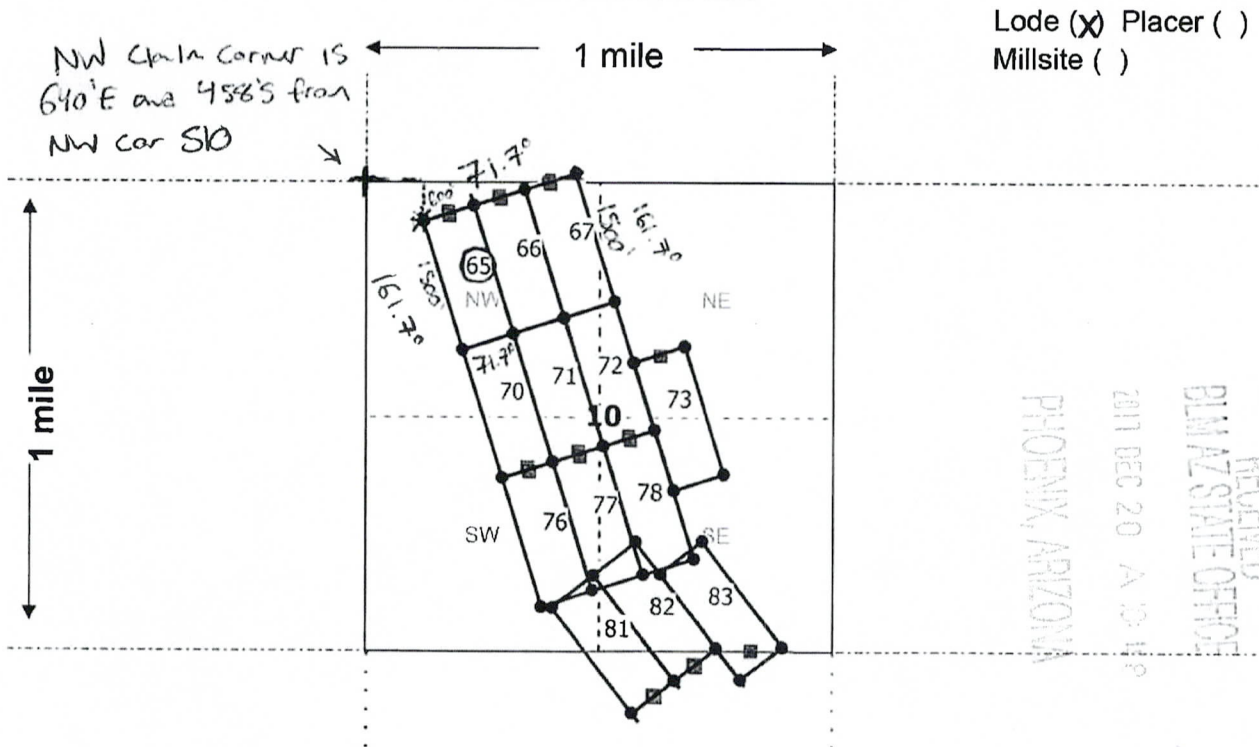
AKH  
(Notary Signature)

[Affix seal/stamp to the left or below]



AMC448256

**MINING CLAIM MAP**



RECEIVED  
 BLM AZ STATE OFFICE  
 PHOENIX, ARIZONA  
 2011 DEC 20 A 10:18

1. The above map depicts the GRMC 65 mining claim, which is located in Section (s) 10, Township 19 N, Range 20 W, Gila and Salt River Base and Meridian, Mohave County, Arizona. Total claim acreage is 20
2. The type of corner and location monuments used are as follows: 2"X2"X50" wooden posts with metal tags or rock monument
3. The bearings and distances in degrees and feet between claim corners and to a public land survey monument are as depicted on the map.
4. If the claim is a placer or millsite claim with exterior limits conforming to legal subdivisions of the public survey, provide a legal description of the claim \_\_\_\_\_

AMC448256

Form MCF100a  
 Revised July 2014

Gold Road Mining Corp.  
Suite 450, 1090 West Georgia Street  
Vancouver, BC V6E 3V7 Canada

**LOCATION NOTICE FOR LODE MINING CLAIM**

Amendment BLM Serial # \_\_\_\_\_

NOTICE IS HEREBY GIVEN that the GRMC 65  
\_\_\_\_\_ lode mining claim has been located  
by Gold Road Mining Corp whose current mailing  
address is Suite 450, 1090 West Georgia Street  
Vancouver, BC V6E 3V7 Canada

RECEIVED  
BLM ARIZONA STATE OFFICE  
2011 DEC 20 A 10:18  
PHOENIX, ARIZONA  
BLM  
Date  
Stamp

The general course of this claim is Northwest-Southeast and it is situated in Mohave  
County, Arizona. This claim is 1500 feet in length and 600 feet in width.

20 Total Claim Acreage. This claim runs from the location monument on which this location notice  
is posted on the centerline of the claim approximately 20 feet in a NW direction to the NW  
end line and 1480 feet in a SE direction to the SE end line. This claim is marked by six  
monuments, one at each corner and one at the center of each end line of the claim.

The location monument on which this notice is posted is situated within Section 10, Township 19  
N, Range 20 W, Gila Salt River Base and Meridian, Arizona and this claim encompasses portions  
of the following quarter section(s), section(s), Township(s) and Range(s) \_\_\_\_\_  
NW1/4 Sec. 10 T19N R20W

Gila Salt River Base and Meridian, Arizona.

The locality of this claim with reference to some natural object or permanent monument and additional information  
(if any) concerning its locality are as follows: \_\_\_\_\_

NW claim corner is 640'E 458'S from NW corner of Sec.10 T19N R20W

\_\_\_\_\_ The above information is shown on the attached map.

DATED AND POSTED on the ground this 28th day of November, 20 17.

LOCATOR(s)  AGENT

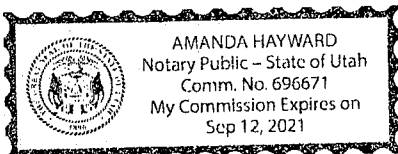
Print Name(s) Stuart Burgess

Signature(s) \_\_\_\_\_

State of Utah  
County of Salt Lake

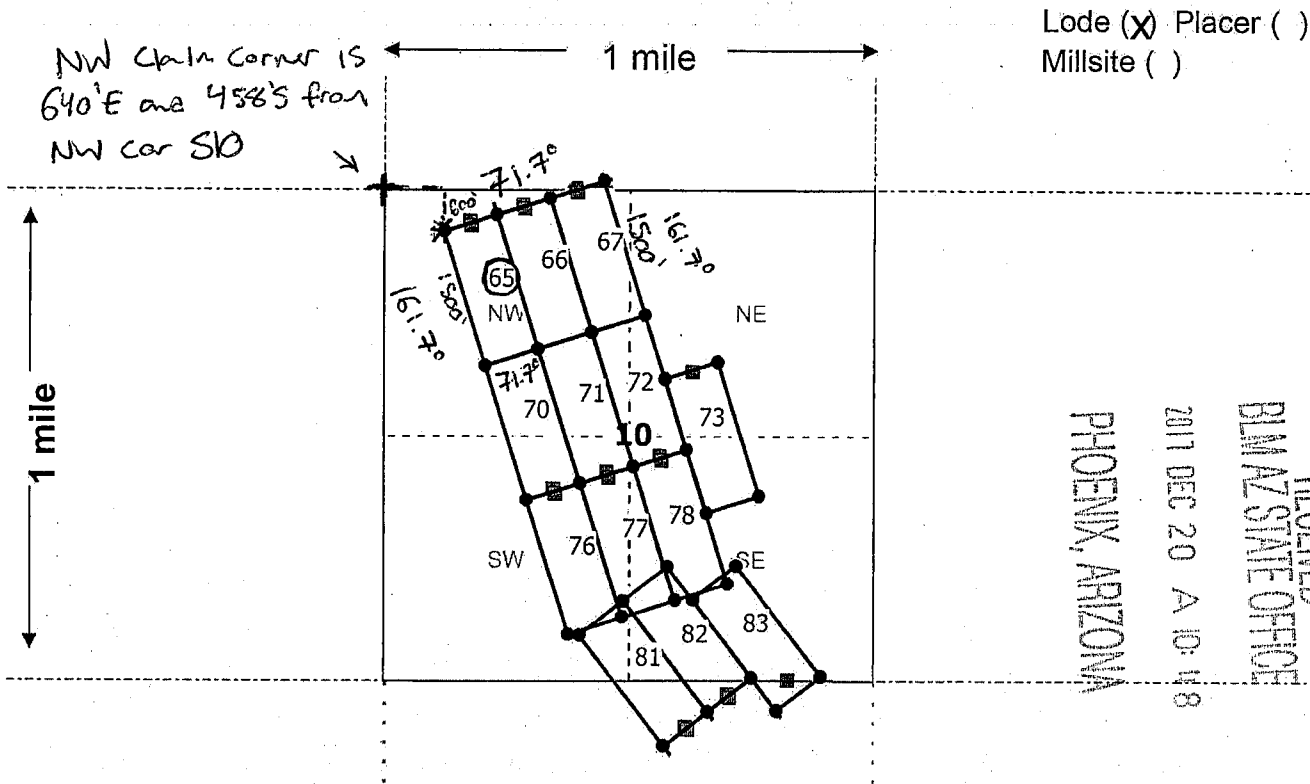
This instrument was signed and sworn to before me  
on 12/2/17 by Stuart Burgess  
(Name of signer)

AMH  
(Notary Signature)  
[Affix seal/stamp to the left or below]



AMC448256

**MINING CLAIM MAP**



Lode (X) Placer ( )  
Millsite ( )

RECEIVED  
BIAZ STATE OFFICE  
2017 DEC 20 A 10:18  
PHOENIX, ARIZONA

Scale: 1" = 2000 feet



- The above map depicts the GRMC 65 mining claim, which is located in Section (s) 10, Township 19 N, Range 20 W, Gila and Salt River Base and Meridian, Mohave County, Arizona. Total claim acreage is 20
- The type of corner and location monuments used are as follows: 2"X2"X50" wooden posts with metal tags or rock monument
- The bearings and distances in degrees and feet between claim corners and to a public land survey monument are as depicted on the map.
- If the claim is a placer or millsite claim with exterior limits conforming to legal subdivisions of the public survey, provide a legal description of the claim \_\_\_\_\_

Form MCF100a  
Revised July 2014

This form is available from the Arizona Geology Survey and may be reproduced.

AMC 448256



24

Gold Road Mining Corp.  
Suite 450, 1090 West Georgia Street  
Vancouver, BC V6E 3V7 Canada

WHEN RECORDED MAIL TO (MC):

FENNEMORE CRAIG  
2394 EAST CAMELBACK RD  
SUITE 600  
PHOENIX AZ 85016

FEE# 2017062245

OFFICIAL RECORDS  
OF MOHAVE COUNTY  
KRISTI BLAIR,  
COUNTY RECORDER



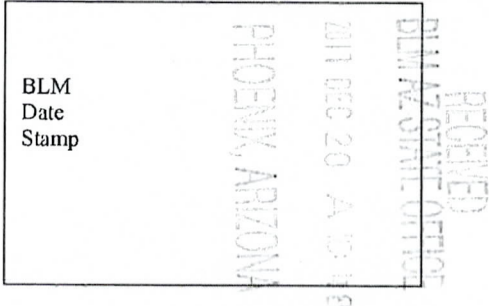
12/26/2017 02:27 PM Fee: \$10.00

PAGE: 1 of 2

LOCATION NOTICE FOR LODE MINING CLAIM

Amendment BLM Serial # \_\_\_\_\_

NOTICE IS HEREBY GIVEN that the GRMC 66  
\_\_\_\_\_ lode mining claim has been located  
by Gold Road Mining Corp. whose current mailing  
address is Suite 450, 1090 West Georgia Street  
Vancouver, BC V6E 3V7 Canada



The general course of this claim is Northwest-Southeast and it is situated in Mohave  
County, Arizona. This claim is 1500 feet in length and 600 feet in width.

20 Total Claim Acreage. This claim runs from the location monument on which this location notice  
is posted on the centerline of the claim approximately 20 feet in a NW direction to the NW  
end line and 1480 feet in a SE direction to the SE end line. This claim is marked by six  
monuments, one at each corner and one at the center of each end line of the claim.

The location monument on which this notice is posted is situated within Section 10, Township 19  
N, Range 20 W, Gila Salt River Base and Meridian, Arizona and this claim encompasses portions  
of the following quarter section(s), section(s), Township(s) and Range(s) \_\_\_\_\_  
NW1/4 Sec.10 T19N R20W

Gila Salt River Base and Meridian, Arizona.

The locality of this claim with reference to some natural object or permanent monument and additional information  
(if any) concerning its locality are as follows: \_\_\_\_\_

NW claim corner is 1,207'E 283'S from NW corner of Sec.10 T19N R20W

\_\_\_\_\_ The above information is shown on the attached map.

DATED AND POSTED on the ground this 28th day of November, 20 17.

LOCATOR(s)  AGENT

Print Name(s) Stuart Burgess

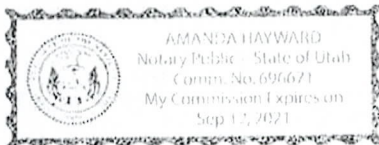
Signature(s) \_\_\_\_\_

State of Utah  
County of Salt Lake

This instrument was signed and sworn to before me  
on 12/2/17 by Stuart Burgess  
(Name of signer)

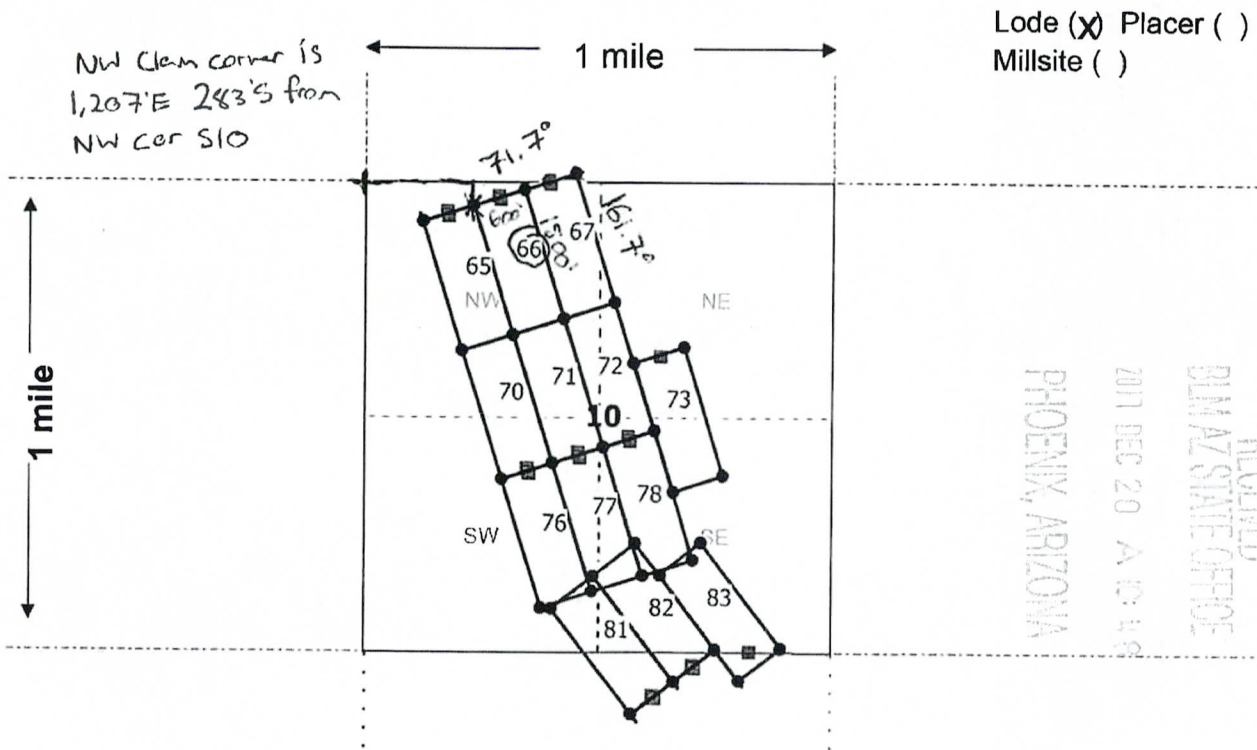
AKH  
(Notary Signature)

[Affix seal/stamp to the left or below]



AMC 448257

**MINING CLAIM MAP**



Scale: 1" = 2000 feet



- The above map depicts the GRMC 66 mining claim, which is located in Section (s) 10, Township 19 N, Range 20 W, Gila and Salt River Base and Meridian, Mohave County, Arizona. Total claim acreage is 20
- The type of corner and location monuments used are as follows: 2"X2"X50" wooden posts with metal tags or rock monument
- The bearings and distances in degrees and feet between claim corners and to a public land survey monument are as depicted on the map.
- If the claim is a placer or millsite claim with exterior limits conforming to legal subdivisions of the public survey, provide a legal description of the claim \_\_\_\_\_

Form MCF100a  
Revised July 2014

This form is available from the Arizona Geology Survey and may be reproduced.

Gold Road Mining Corp.  
Suite 450, 1090 West Georgia Street  
Vancouver, BC V6E 3V7 Canada

LOCATION NOTICE FOR LODE MINING CLAIM

Amendment BLM Serial # \_\_\_\_\_

NOTICE IS HEREBY GIVEN that the GRMC 66  
\_\_\_\_\_ lode mining claim has been located  
by Gold Road Mining Corp. whose current mailing  
address is Suite 450, 1090 West Georgia Street  
Vancouver, BC V6E 3V7 Canada

RECEIVED  
BLM STATE OFFICE  
PHOENIX, ARIZONA  
2017 DEC 20 A 10:18  
BLM  
Date  
Stamp

The general course of this claim is Northwest-Southeast and it is situated in Mohave  
County, Arizona. This claim is 1500 feet in length and 600 feet in width.

20 Total Claim Acreage. This claim runs from the location monument on which this location notice  
is posted on the centerline of the claim approximately 20 feet in a NW direction to the NW  
end line and 1480 feet in a SE direction to the SE end line. This claim is marked by six  
monuments, one at each corner and one at the center of each end line of the claim.

The location monument on which this notice is posted is situated within Section 10, Township 19  
N, Range 20 W, Gila Salt River Base and Meridian, Arizona and this claim encompasses portions  
of the following quarter section(s), section(s), Township(s) and Range(s) \_\_\_\_\_  
NW1/4 Sec.10 T19N R20W

Gila Salt River Base and Meridian, Arizona.

The locality of this claim with reference to some natural object or permanent monument and additional information  
(if any) concerning its locality are as follows: \_\_\_\_\_

NW claim corner is 1,207'E 283'S from NW corner of Sec.10 T19N R20W

\_\_\_\_\_ The above information is shown on the attached map.

DATED AND POSTED on the ground this 28th day of November, 20 17.

LOCATOR(s)  AGENT

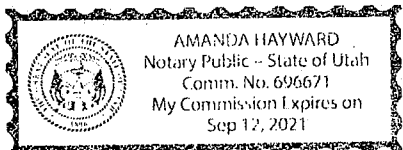
Print Name(s) Stuart Burgess

Signature(s) \_\_\_\_\_

State of Utah  
County of Salt Lake

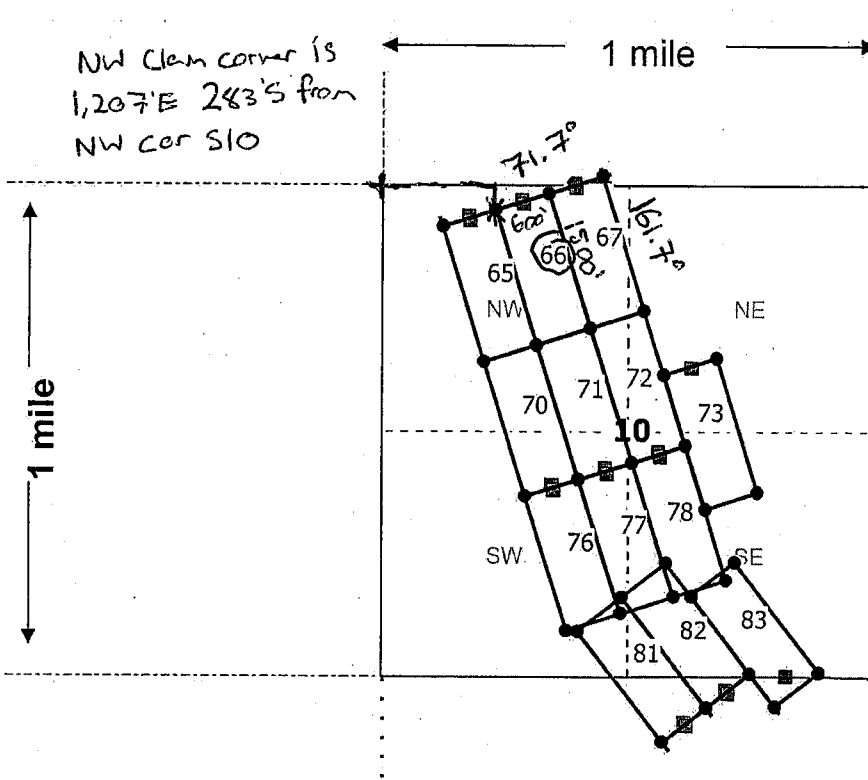
This instrument was signed and sworn to before me  
on 12/2/17 by Stuart Burgess  
(Name of signer)

[Signature]  
(Notary Signature)  
[Affix seal/stamp to the left or below]



AMC448257

**MINING CLAIM MAP**



Lode (X) Placer ( )  
Millsite ( )

RECEIVED  
BIAZ STATE OFFICE  
2011 DEC 20 A 10:48  
PHOENIX, ARIZONA

AMC448257



- The above map depicts the GRMC 66 mining claim, which is located in Section (s) 10, Township 19 N, Range 20 W, Gila and Salt River Base and Meridian, Mohave County, Arizona. Total claim acreage is 20
- The type of corner and location monuments used are as follows: 2"X2"X50" wooden posts with metal tags or rock monument
- The bearings and distances in degrees and feet between claim corners and to a public land survey monument are as depicted on the map.
- If the claim is a placer or millsite claim with exterior limits conforming to legal subdivisions of the public survey, provide a legal description of the claim \_\_\_\_\_

Form MCF100a  
Revised July 2014

2E

Gold Road Mining Corp.  
Suite 450, 1090 West Georgia Street  
Vancouver, BC V6E 3V7 Canada

WHEN RECORDED MAIL TO (MC):

FENNEMORE CRAIG  
2394 EAST CAMELBACK RD  
SUITE 600  
PHOENIX AZ 85016

**FEE# 2017062246**

OFFICIAL RECORDS  
OF MOHAVE COUNTY  
KRISTI BLAIR,  
COUNTY RECORDER



12/26/2017 02:27 PM Fee: \$10.00

PAGE: 1 of 2

**LOCATION NOTICE FOR LODE MINING CLAIM**

Amendment BLM Serial # \_\_\_\_\_

NOTICE IS HEREBY GIVEN that the GRMC 67  
\_\_\_\_\_ lode mining claim has been located  
by Gold Road Mining Corp. whose current mailing  
address is Suite 450, 1090 West Georgia Street  
Vancouver, BC V6E 3V7 Canada

RECORDED  
BLM AZ STATE OFFICE  
PHOENIX, ARIZONA  
2017 DEC 20 A 10:48  
BLM  
Date  
Stamp

The general course of this claim is Northwest-Southeast and it is situated in Mohave  
County, Arizona. This claim is 1500 feet in length and 600 feet in width.

20 Total Claim Acreage. This claim runs from the location monument on which this location notice  
is posted on the centerline of the claim approximately 20 feet in a NW direction to the NW  
end line and 1480 feet in a SE direction to the SE end line. This claim is marked by six  
monuments, one at each corner and one at the center of each end line of the claim.

The location monument on which this notice is posted is situated within Section 10, Township 19  
N, Range 20 W, Gila Salt River Base and Meridian, Arizona and this claim encompasses portions  
of the following quarter section(s), section(s), Township(s) and Range(s) \_\_\_\_\_  
NW1/4, NE 1/4 Sec.10 and SW1/4 Sec.3 T19N R20W

Gila Salt River Base and Meridian, Arizona.

The locality of this claim with reference to some natural object or permanent monument and additional information  
(if any) concerning its locality are as follows: \_\_\_\_\_

NW claim corner is 1,783'E 107'S from NW corner of Sec.10 T19N R20W

\_\_\_\_\_ The above information is shown on the attached map.

DATED AND POSTED on the ground this 28<sup>th</sup> day of November, 20 17.

LOCATOR(s)  AGENT

Print Name(s) Stuart Burgess

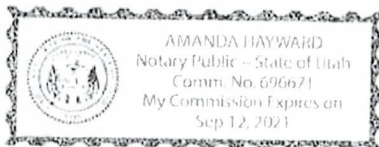
Signature(s) \_\_\_\_\_

State of Utah  
County of Salt Lake

This instrument was signed and sworn to before me  
on 12/2/17 by Stuart Burgess  
(Name of signer)

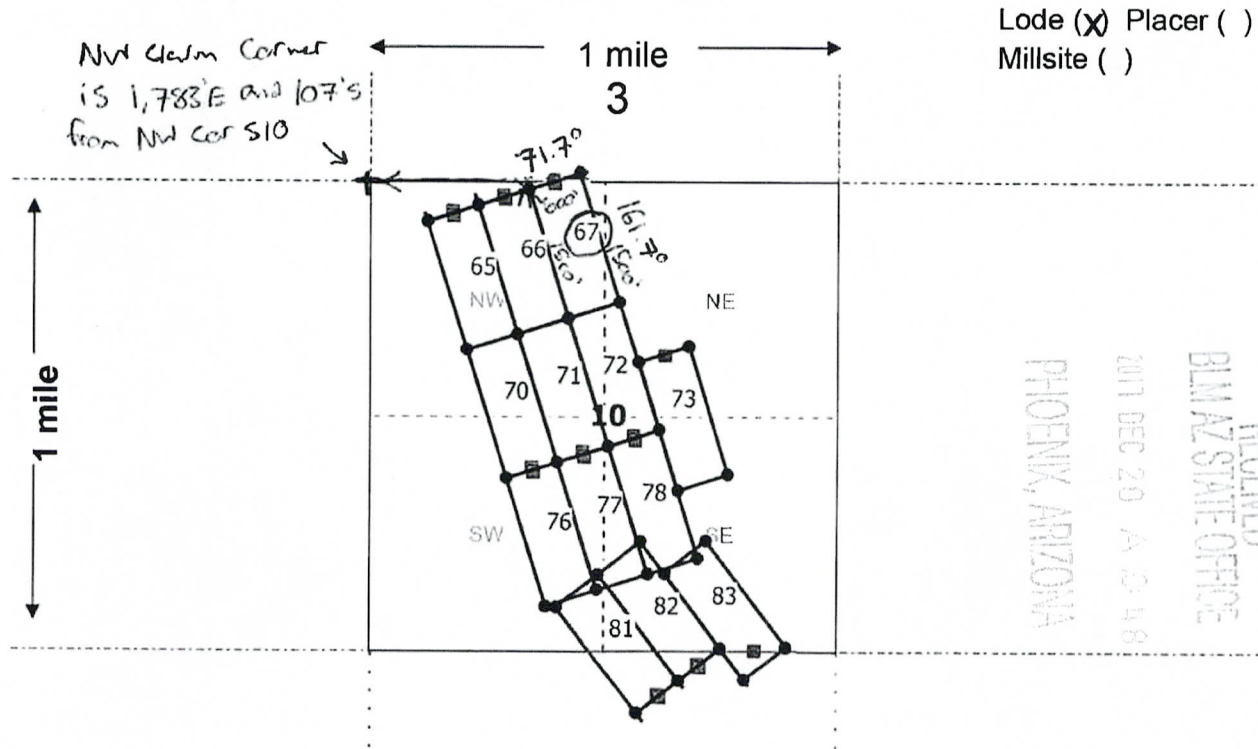
AKH  
(Notary Signature)

[Affix seal/stamp to the left or below]



AMC448258

**MINING CLAIM MAP**



Scale: 1" = 2000 feet



1. The above map depicts the GRMC 67 mining claim, which is located in Section (s) 3, 10, Township 19 N, Range 20 W, Gila and Salt River Base and Meridian, Mohave County, Arizona. Total claim acreage is 20

2. The type of corner and location monuments used are as follows: 2"X2"X50" wooden posts with metal tags or rock monument

3. The bearings and distances in degrees and feet between claim corners and to a public land survey monument are as depicted on the map.

4. If the claim is a placer or millsite claim with exterior limits conforming to legal subdivisions of the public survey, provide a legal description of the claim \_\_\_\_\_

Form MCF100a  
Revised July 2014

This form is available from the **Arizona Geology Survey** and may be reproduced.

AMC448258

Gold Road Mining Corp.  
Suite 450, 1090 West Georgia Street  
Vancouver, BC V6E 3V7 Canada

**LOCATION NOTICE FOR LODE MINING CLAIM**

Amendment BLM Serial # \_\_\_\_\_

NOTICE IS HEREBY GIVEN that the GRMC 67  
\_\_\_\_\_ lode mining claim has been located  
by Gold Road Mining Corp. whose current mailing  
address is Suite 450, 1090 West Georgia Street  
Vancouver, BC V6E 3V7 Canada

RECEIVED  
BLM AZ STATE OFFICE  
2011 DEC 20 A 10:48  
PHOENIX, ARIZONA  
BLM  
Date  
Stamp

The general course of this claim is Northwest-Southeast and it is situated in Mohave  
County, Arizona. This claim is 1500 feet in length and 600 feet in width.

20 Total Claim Acreage. This claim runs from the location monument on which this location notice  
is posted on the centerline of the claim approximately 20 feet in a NW direction to the NW  
end line and 1480 feet in a SE direction to the SE end line. This claim is marked by six  
monuments, one at each corner and one at the center of each end line of the claim.

The location monument on which this notice is posted is situated within Section 10, Township 19  
N, Range 20 W, Gila Salt River Base and Meridian, Arizona and this claim encompasses portions  
of the following quarter section(s), section(s), Township(s) and Range(s) \_\_\_\_\_  
NW1/4, NE 1/4 Sec.10 and SW1/4 Sec.3 T19N R20W

Gila Salt River Base and Meridian, Arizona.

The locality of this claim with reference to some natural object or permanent monument and additional information  
(if any) concerning its locality are as follows: \_\_\_\_\_

NW claim corner is 1,783'E 107'S from NW corner of Sec.10 T19N R20W

\_\_\_\_\_ The above information is shown on the attached map.

DATED AND POSTED on the ground this 28<sup>th</sup> day of November, 20 17.

LOCATOR(s)  AGENT

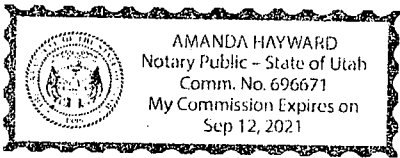
Print Name(s) Stuart Burgess

Signature(s) \_\_\_\_\_

State of Utah  
County of Salt Lake

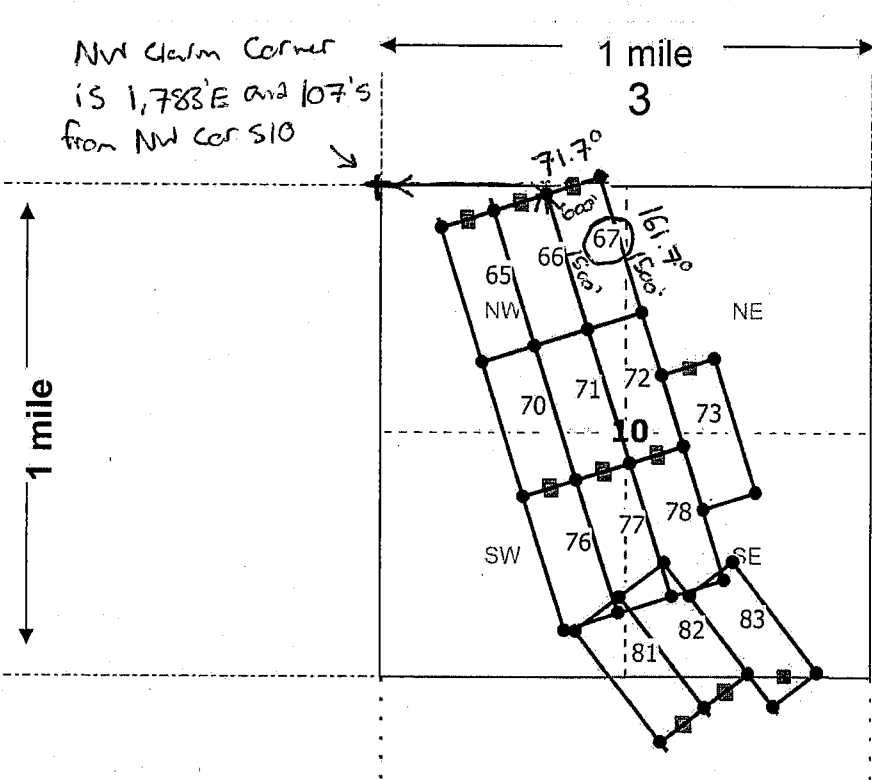
This instrument was signed and sworn to before me  
on 12/2/17 by Stuart Burgess  
(Name of signer)

AH  
(Notary Signature)  
[Affix seal/stamp to the left or below]



AMC448258

**MINING CLAIM MAP**



Lode (X) Placer ( )  
Millsite ( )

RECEIVED  
BLM AZ STATE OFFICE  
2017 DEC 20 A 10:48  
PHOENIX, ARIZONA



1. The above map depicts the GRMC 67 mining claim, which is located in Section (s) 3, 10, Township 19 N, Range 20 W, Gila and Salt River Base and Meridian, Mohave County, Arizona. Total claim acreage is 20
2. The type of corner and location monuments used are as follows: 2"X2"X50" wooden posts with metal tags or rock monument
3. The bearings and distances in degrees and feet between claim corners and to a public land survey monument are as depicted on the map.
4. If the claim is a placer or millsite claim with exterior limits conforming to legal subdivisions of the public survey, provide a legal description of the claim \_\_\_\_\_

Form MCF100a  
Revised July 2014

This form is available from the Arizona Geology Survey and may be reproduced.

AMC 448258



26

Gold Road Mining Corp.  
Suite 450, 1090 West Georgia Street  
Vancouver, BC V6E 3V7 Canada

WHEN RECORDED MAIL TO (MC):

FENNEMORE CRAIG  
2394 EAST CAMELBACK RD  
SUITE 600  
PHOENIX AZ 85016

FEE# 2017062247

OFFICIAL RECORDS  
OF MOHAVE COUNTY  
KRISTI BLAIR,  
COUNTY RECORDER



12/26/2017 02:27 PM Fee: \$10.00

PAGE: 1 of 2

LOCATION NOTICE FOR LODE MINING CLAIM

Amendment BLM Serial # \_\_\_\_\_

NOTICE IS HEREBY GIVEN that the GRMC 68  
\_\_\_\_\_ lode mining claim has been located  
by Gold Road Mining Corp. whose current mailing  
address is Suite 450, 1090 West Georgia Street  
Vancouver, BC V6E 3V7 Canada

RECEIVED  
BLM AZ STATE OFFICE  
PHOENIX, ARIZONA  
2017 DEC 20 A 10:48  
BLM  
Date  
Stamp

The general course of this claim is Northwest-Southeast and it is situated in Mohave  
County, Arizona. This claim is 1500 feet in length and 600 feet in width.

20 Total Claim Acreage. This claim runs from the location monument on which this location notice  
is posted on the centerline of the claim approximately 20 feet in a SE direction to the SE  
end line and 1480 feet in a NW direction to the NW end line. This claim is marked by six  
monuments, one at each corner and one at the center of each end line of the claim.

The location monument on which this notice is posted is situated within Section 9, Township 19  
N, Range 20 W, Gila Salt River Base and Meridian, Arizona and this claim encompasses portions  
of the following quarter section(s), section(s), Township(s) and Range(s) \_\_\_\_\_  
SE1/4 Sec.9 and SW1/4 Sec.10 R19N R20W

Gila Salt River Base and Meridian, Arizona.

The locality of this claim with reference to some natural object or permanent monument and additional information  
(if any) concerning its locality are as follows: \_\_\_\_\_  
NW claim corner is 865'W 2,906'S from NE corner of Sec.9 T19N R20W

\_\_\_\_\_ The above information is shown on the attached map.

DATED AND POSTED on the ground this 28th day of November, 20 17.

LOCATOR(s)  AGENT

Print Name(s) Stuart Burgess

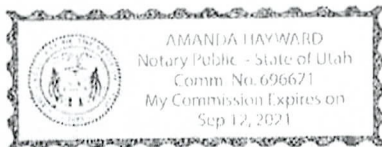
Signature(s) \_\_\_\_\_

State of Utah  
County of Salt Lake

This instrument was signed and sworn to before me  
on 12/2/17 by Stuart Burgess  
(Name of signer)

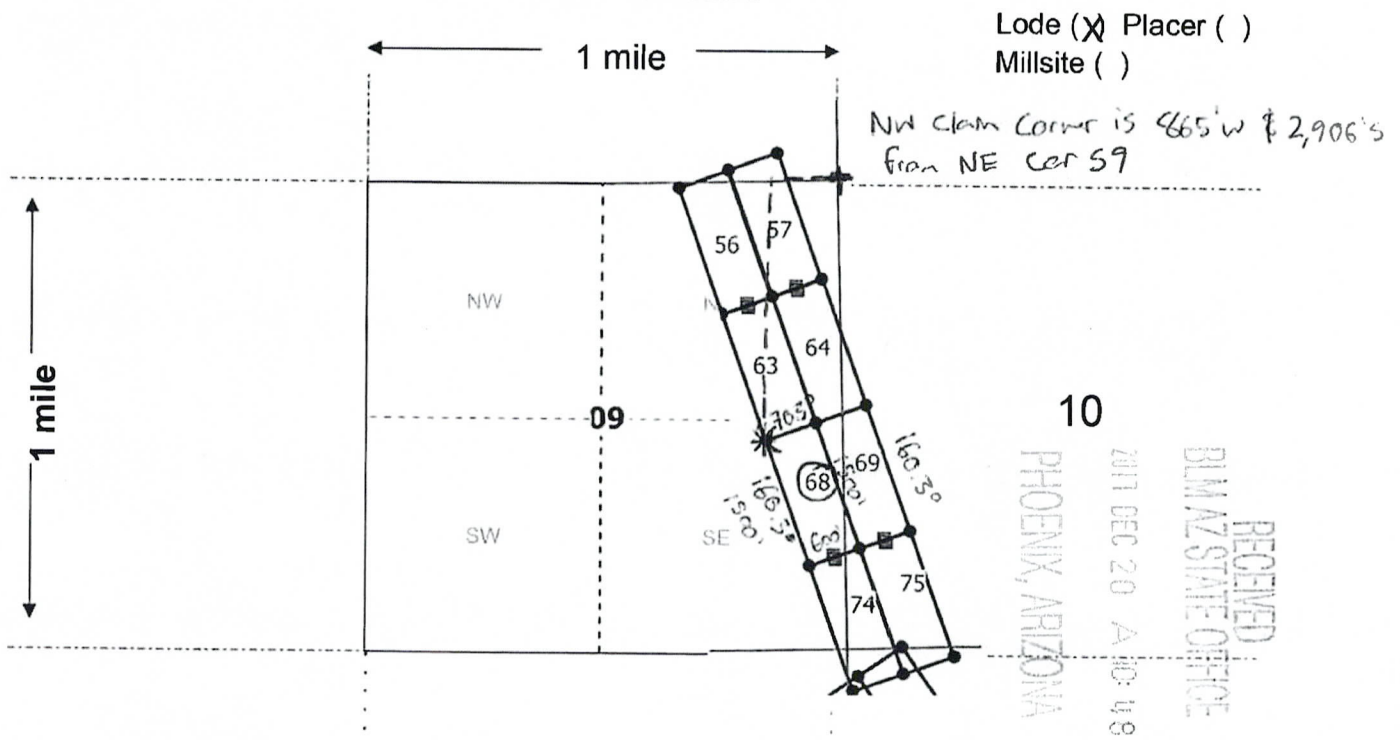
\_\_\_\_\_  
(Notary Signature)

[Affix seal/stamp to the left or below]



AMC448259

**MINING CLAIM MAP**



Scale: 1" = 2000 feet



- The above map depicts the GRMC 68 mining claim, which is located in Section (s) 9,10, Township 19 N, Range 20 W, Gila and Salt River Base and Meridian, Mohave County, Arizona. Total claim acreage is 20
- The type of corner and location monuments used are as follows: 2"X2"X50" wooden posts with metal tags or rock monument
- The bearings and distances in degrees and feet between claim corners and to a public land survey monument are as depicted on the map.
- If the claim is a placer or millsite claim with exterior limits conforming to legal subdivisions of the public survey, provide a legal description of the claim \_\_\_\_\_

AMC448259

Form MCF100a  
Revised July 2014

This form is available from the Arizona Geology Survey and may be reproduced.

Gold Road Mining Corp.  
Suite 450, 1090 West Georgia Street  
Vancouver, BC V6E 3V7 Canada

**LOCATION NOTICE FOR LODE MINING CLAIM**

Amendment BLM Serial # \_\_\_\_\_

NOTICE IS HEREBY GIVEN that the GRMC 68  
\_\_\_\_\_ lode mining claim has been located  
by Gold Road Mining Corp. whose current mailing  
address is Suite 450, 1090 West Georgia Street  
Vancouver, BC V6E 3V7 Canada

RECEIVED  
BLM AZ STATE OFFICE  
PHOENIX, ARIZONA  
2017 DEC 20 A 10:48  
BLM  
Date  
Stamp

The general course of this claim is Northwest-Southeast and it is situated in Mohave  
County, Arizona. This claim is 1500 feet in length and 600 feet in width.

20 Total Claim Acreage. This claim runs from the location monument on which this location notice  
is posted on the centerline of the claim approximately 20 feet in a SE direction to the SE  
end line and 1480 feet in a NW direction to the NW end line. This claim is marked by six  
monuments, one at each corner and one at the center of each end line of the claim.

The location monument on which this notice is posted is situated within Section 9, Township 19  
N, Range 20 W, Gila Salt River Base and Meridian, Arizona and this claim encompasses portions  
of the following quarter section(s), section(s), Township(s) and Range(s) \_\_\_\_\_  
SE1/4 Sec.9 and SW1/4 Sec.10 R19N R20W  
Gila Salt River Base and Meridian, Arizona.

The locality of this claim with reference to some natural object or permanent monument and additional information  
(if any) concerning its locality are as follows: \_\_\_\_\_

NW claim corner is 865'W 2,906'S from NE corner of Sec.9 T19N R20W

\_\_\_\_\_ The above information is shown on the attached map.

DATED AND POSTED on the ground this 28th day of November, 20 17.

LOCATOR(s)  AGENT

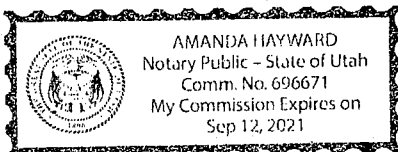
Print Name(s) Stuart Burgess

Signature(s) \_\_\_\_\_

State of Utah  
County of Salt Lake

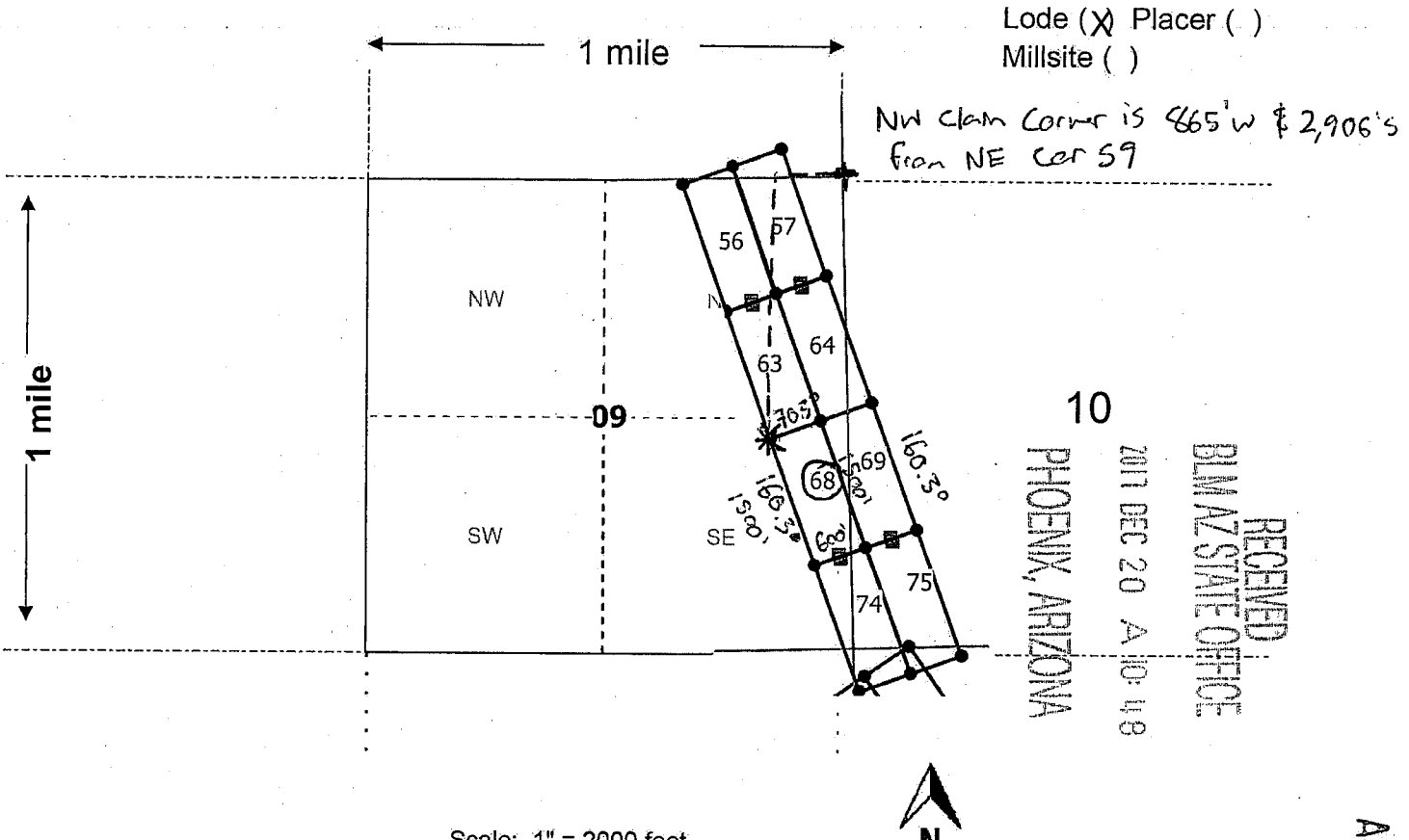
This instrument was signed and sworn to before me  
on 12/2/17 by Stuart Burgess  
(Name of signer)

\_\_\_\_\_  
(Notary Signature)  
[Affix seal/stamp to the left or below]



AMC 448259

**MINING CLAIM MAP**



Scale: 1" = 2000 feet

1. The above map depicts the GRMC 68 mining claim, which is located in Section (s) 9, 10, Township 19 N, Range 20 W, Gila and Salt River Base and Meridian, Mohave County, Arizona. Total claim acreage is 20

2. The type of corner and location monuments used are as follows: 2"X2"X50" wooden posts with metal tags or rock monument

3. The bearings and distances in degrees and feet between claim corners and to a public land survey monument are as depicted on the map.

4. If the claim is a placer or millsite claim with exterior limits conforming to legal subdivisions of the public survey, provide a legal description of the claim \_\_\_\_\_

Form MCF100a  
Revised July 2014

This form is available from the Arizona Geology Survey and may be reproduced.

AMC 448259

2E

Gold Road Mining Corp.  
Suite 450, 1090 West Georgia Street  
Vancouver, BC V6E 3V7 Canada

WHEN RECORDED MAIL TO (MC):

FENNEMORE CRAIG  
2394 EAST CAMELBACK RD  
SUITE 600  
PHOENIX AZ 85016

**FEE# 2017062248**

OFFICIAL RECORDS  
OF MOHAVE COUNTY  
KRISTI BLAIR  
COUNTY RECORDER



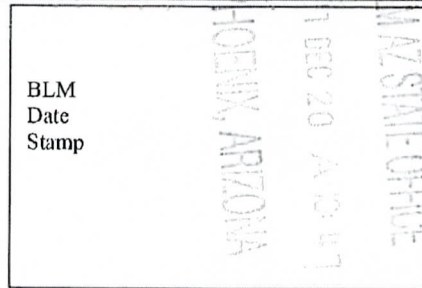
12/26/2017 02:27 PM Fee: \$10.00

PAGE: 1 of 2

**LOCATION NOTICE FOR LODE MINING CLAIM**

Amendment BLM Serial # \_\_\_\_\_

NOTICE IS HEREBY GIVEN that the GRMC 69  
\_\_\_\_\_ lode mining claim has been located  
by Gold Road Mining Corp. whose current mailing  
address is Suite 450, 1090 West Georgia Street  
Vancouver, BC V6E 3V7 Canada



The general course of this claim is Northwest-Southeast and it is situated in Mohave  
County, Arizona. This claim is 1500 feet in length and 600 feet in width.

20 Total Claim Acreage. This claim runs from the location monument on which this location notice  
is posted on the centerline of the claim approximately 20 feet in a SE direction to the SE  
end line and 1480 feet in a NW direction to the NW end line. This claim is marked by six  
monuments, one at each corner and one at the center of each end line of the claim.

The location monument on which this notice is posted is situated within Section 10, Township 19  
N, Range 20 W, Gila Salt River Base and Meridian, Arizona and this claim encompasses portions  
of the following quarter section(s), section(s), Township(s) and Range(s) \_\_\_\_\_  
SE1/4 Sec.9, SW1/4 Sec.10, and NW1/4 Sec.10 T19N R20W

Gila Salt River Base and Meridian, Arizona.

The locality of this claim with reference to some natural object or permanent monument and additional information  
(if any) concerning its locality are as follows: \_\_\_\_\_

NW claim corner is 302'W 2,719'S from NE corner of Sec.9 T19N R20W

\_\_\_\_\_ The above information is shown on the attached map.

DATED AND POSTED on the ground this 26th day of November, 20 17.

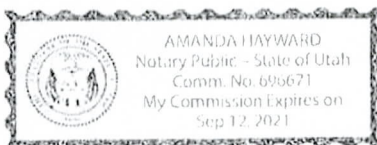
LOCATOR(s)  AGENT

Print Name(s) Stuart Burgess

Signature(s) \_\_\_\_\_

State of Utah  
County of Salt Lake

This instrument was signed and sworn to before me  
on 12/2/17 by Stuart Burgess  
(Name of signer)

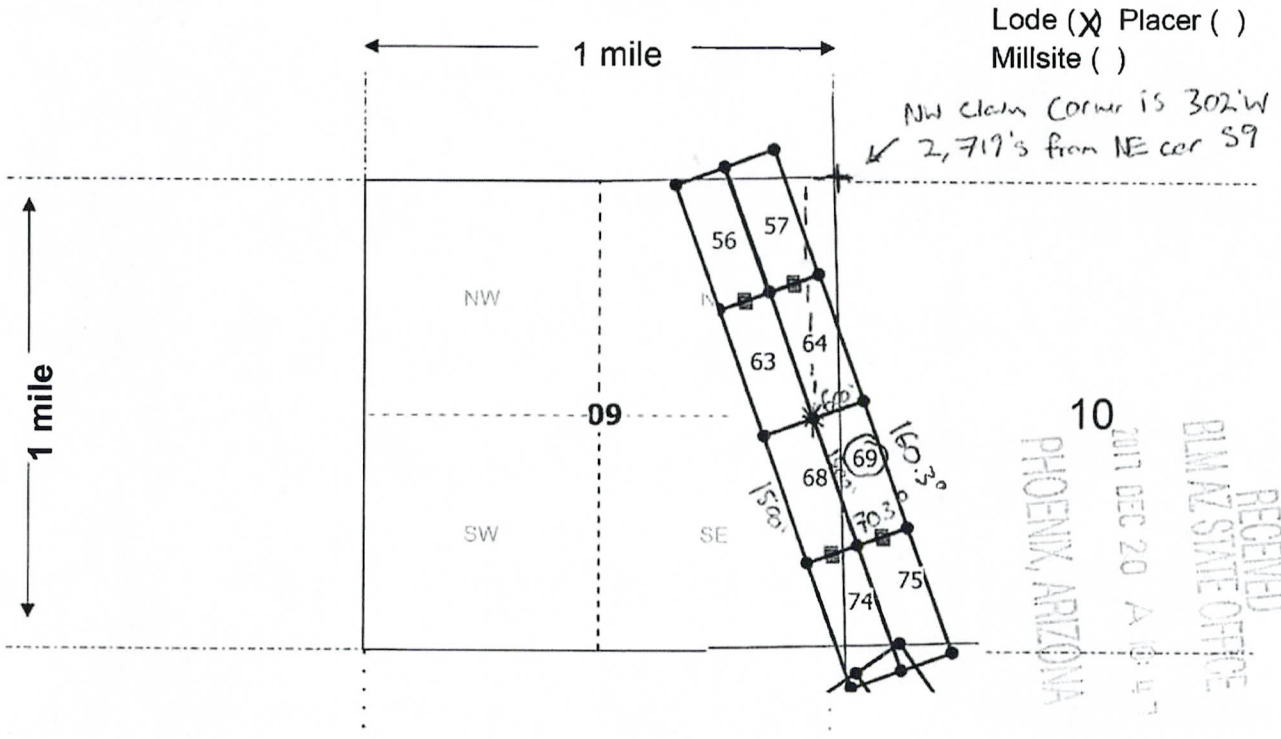


AmH  
(Notary Signature)

[Affix seal/stamp to the left or below]

AMC448260

**MINING CLAIM MAP**



Scale: 1" = 2000 feet



- The above map depicts the GRMC 69 mining claim, which is located in Section (s) 9, 10, Township 19 N, Range 20 W, Gila and Salt River Base and Meridian, Mohave County, Arizona. Total claim acreage is 20
- The type of corner and location monuments used are as follows: 2"X2"X50" wooden posts with metal tags or rock monument
- The bearings and distances in degrees and feet between claim corners and to a public land survey monument are as depicted on the map.
- If the claim is a placer or millsite claim with exterior limits conforming to legal subdivisions of the public survey, provide a legal description of the claim \_\_\_\_\_

Form MCF100a  
Revised July 2014

This form is available from the **Arizona Geology Survey** and may be reproduced.

AMC448260

Gold Road Mining Corp.  
Suite 450, 1090 West Georgia Street  
Vancouver, BC V6E 3V7 Canada

LOCATION NOTICE FOR LODE MINING CLAIM

Amendment BLM Serial # \_\_\_\_\_

NOTICE IS HEREBY GIVEN that the GRMC 69  
\_\_\_\_\_ lode mining claim has been located  
by Gold Road Mining Corp. whose current mailing  
address is Suite 450, 1090 West Georgia Street  
Vancouver, BC V6E 3V7 Canada

BLM  
Date  
Stamp  
PHOENIX, ARIZONA  
2017 DEC 20 A 10:47  
BLM AZ STATE OFFICE  
RECEIVED

The general course of this claim is Northwest-Southeast and it is situated in Mohave  
County, Arizona. This claim is 1500 feet in length and 600 feet in width.

20 Total Claim Acreage. This claim runs from the location monument on which this location notice  
is posted on the centerline of the claim approximately 20 feet in a SE direction to the SE  
end line and 1480 feet in a NW direction to the NW end line. This claim is marked by six  
monuments, one at each corner and one at the center of each end line of the claim.

The location monument on which this notice is posted is situated within Section 10, Township 19  
N, Range 20 W, Gila Salt River Base and Meridian, Arizona and this claim encompasses portions  
of the following quarter section(s), section(s), Township(s) and Range(s) \_\_\_\_\_

SE1/4 Sec.9, SW1/4 Sec.10, and NW1/4 Sec.10 T19N R20W  
Gila Salt River Base and Meridian, Arizona.

The locality of this claim with reference to some natural object or permanent monument and additional information  
(if any) concerning its locality are as follows: \_\_\_\_\_

NW claim corner is 302'W 2,719'S from NE corner of Sec.9 T19N R20W

\_\_\_\_\_ The above information is shown on the attached map.

DATED AND POSTED on the ground this 28th day of November, 20 17.

LOCATOR(s)  AGENT

Print Name(s) Stuart Burgess

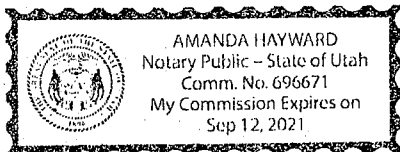
Signature(s) \_\_\_\_\_

State of Utah  
County of Salt Lake

This instrument was signed and sworn to before me  
on 12/2/17 by Stuart Burgess  
(Name of signer)

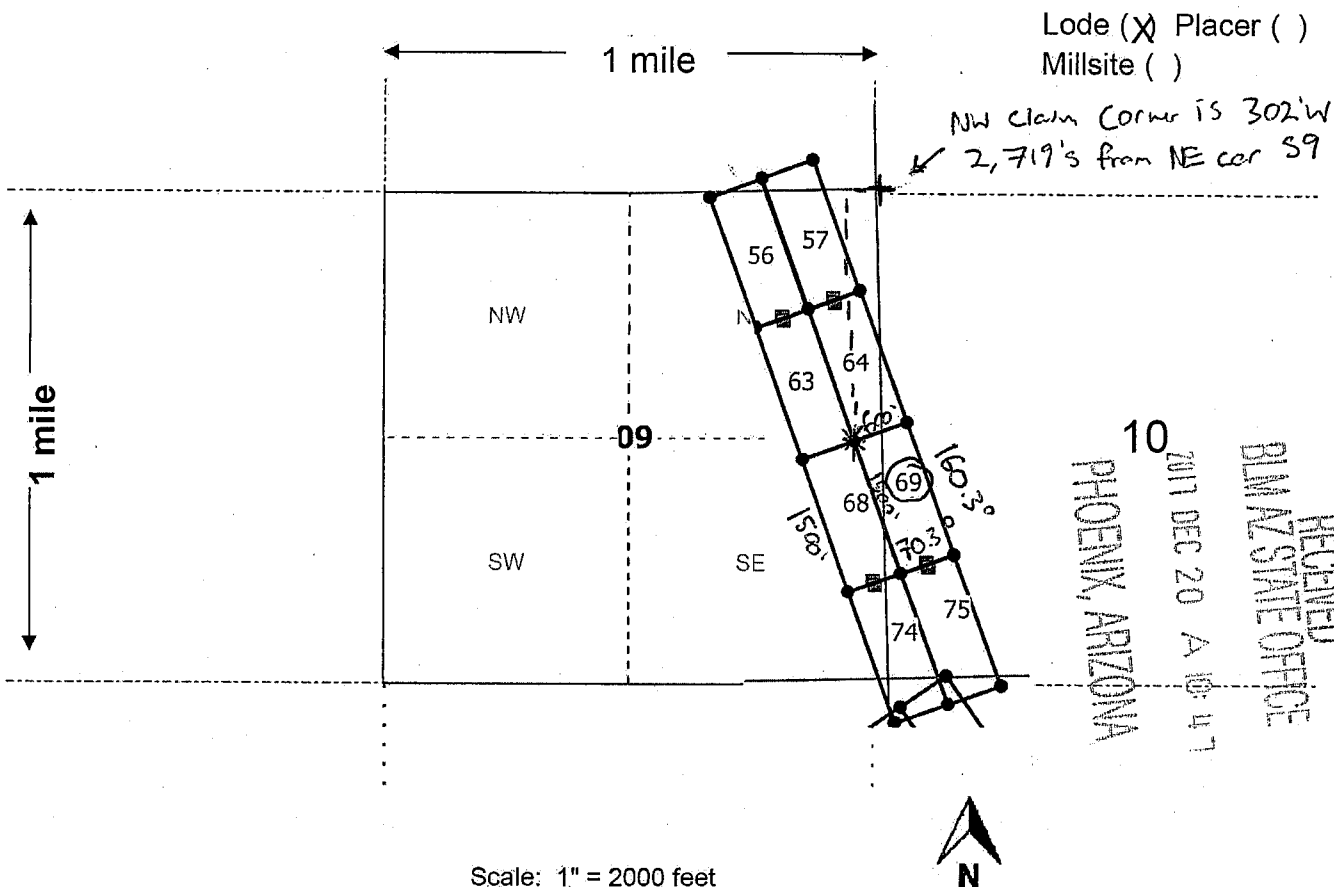
AMH  
(Notary Signature)

[Affix seal/stamp to the left or below]



AMC448260

**MINING CLAIM MAP**



Scale: 1" = 2000 feet

- The above map depicts the GRMC 69 mining claim, which is located in Section (s) 9,10, Township 19 N, Range 20 W, Gila and Salt River Base and Meridian, Mohave County, Arizona. Total claim acreage is 20
- The type of corner and location monuments used are as follows: 2"X2"X50" wooden posts with metal tags or rock monument
- The bearings and distances in degrees and feet between claim corners and to a public land survey monument are as depicted on the map.
- If the claim is a placer or millsite claim with exterior limits conforming to legal subdivisions of the public survey, provide a legal description of the claim \_\_\_\_\_

Form MCF100a  
Revised July 2014

This form is available from the Arizona Geology Survey and may be reproduced.

AMC 448260



2E

Gold Road Mining Corp.  
Suite 450, 1090 West Georgia Street  
Vancouver, BC V6E 3V7 Canada

**FEE# 2017062249**

OFFICIAL RECORDS  
OF MOHAVE COUNTY  
KRISTI BLAIR,  
COUNTY RECORDER



12/26/2017 02:27 PM Fee: \$10.00

PAGE: 1 of 2

WHEN RECORDED MAIL TO (MC):

FENNEMORE CRAIG  
2394 EAST CAMELBACK RD  
SUITE 600  
PHOENIX AZ 85016

**LOCATION NOTICE FOR LODE MINING CLAIM**

Amendment BLM Serial # \_\_\_\_\_

NOTICE IS HEREBY GIVEN that the GRMC 70  
\_\_\_\_\_ lode mining claim has been located  
by Gold Road Mining Corp. whose current mailing  
address is Suite 450, 1090 West Georgia Street  
Vancouver, BC V6E 3V7 Canada

PHOENIX, ARIZONA  
2017 DEC 20 A.M. 10:47  
BLM Date Stamp  
RECEIVED  
BLM AZ OFFICE

The general course of this claim is Northwest-Southeast and it is situated in Mohave  
County, Arizona. This claim is 1500 feet in length and 600 feet in width.

20 Total Claim Acreage. This claim runs from the location monument on which this location notice  
is posted on the centerline of the claim approximately 20 feet in a SE direction to the SE  
end line and 1480 feet in a NW direction to the NW end line. This claim is marked by six  
monuments, one at each corner and one at the center of each end line of the claim.

The location monument on which this notice is posted is situated within Section \_\_\_\_\_, Township 19  
N, Range 20 W, Gila Salt River Base and Meridian, Arizona and this claim encompasses portions  
of the following quarter section(s), section(s), Township(s) and Range(s) \_\_\_\_\_  
SW1/4, NW1/4 Sec.10 T19N R20W

Gila Salt River Base and Meridian, Arizona.

The locality of this claim with reference to some natural object or permanent monument and additional information  
(if any) concerning its locality are as follows: \_\_\_\_\_

NW claim corner is 1,062'E 1,892'S from NW corner of Sec.10 T19N R20W

\_\_\_\_\_ The above information is shown on the attached map.

DATED AND POSTED on the ground this 28<sup>th</sup> day of November, 20 17.

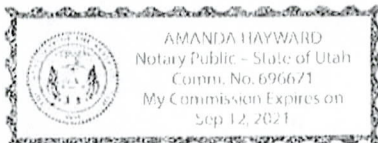
LOCATOR(s)  AGENT

Print Name(s) Stuart Burgess

Signature(s) \_\_\_\_\_

State of Utah  
County of Salt Lake

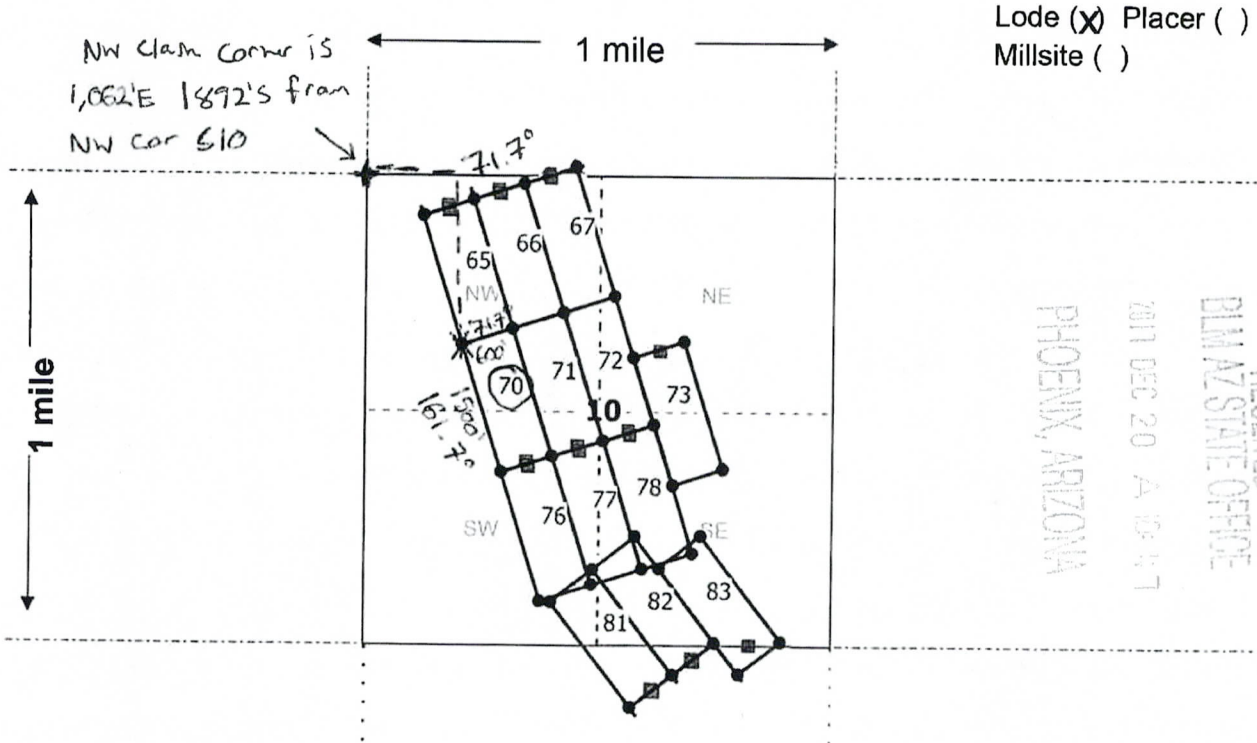
This instrument was signed and sworn to before me  
on 12/2/17 by Stuart Burgess  
(Name of signer)



\_\_\_\_\_  
(Notary Signature)  
[Affix seal/stamp to the left or below]

AMC448261

**MINING CLAIM MAP**



Scale: 1" = 2000 feet



- The above map depicts the GRMC 70 mining claim, which is located in Section (s) 10, Township 19 N, Range 20 W, Gila and Salt River Base and Meridian, Mohave County, Arizona. Total claim acreage is 20
- The type of corner and location monuments used are as follows: 2"X2"X50" wooden posts with metal tags or rock monument
- The bearings and distances in degrees and feet between claim corners and to a public land survey monument are as depicted on the map.
- If the claim is a placer or millsite claim with exterior limits conforming to legal subdivisions of the public survey, provide a legal description of the claim \_\_\_\_\_

**Form MCF100a**  
Revised July 2014

This form is available from the **Arizona Geology Survey** and may be reproduced.

Gold Road Mining Corp.  
Suite 450, 1090 West Georgia Street  
Vancouver, BC V6E 3V7 Canada

LOCATION NOTICE FOR LODE MINING CLAIM

Amendment BLM Serial # \_\_\_\_\_

NOTICE IS HEREBY GIVEN that the GRMC 70  
\_\_\_\_\_ lode mining claim has been located  
by Gold Road Mining Corp. whose current mailing  
address is Suite 450, 1090 West Georgia Street  
Vancouver, BC V6E 3V7 Canada

BLM  
Date  
Stamp  
2017 DEC 20 A 10:17  
PHOENIX, ARIZONA  
BLM AZ STATE OFFICE

RECEIVED  
BLM AZ STATE OFFICE

The general course of this claim is Northwest-Southeast and it is situated in Mohave  
County, Arizona. This claim is 1500 feet in length and 600 feet in width.

20 Total Claim Acreage. This claim runs from the location monument on which this location notice  
is posted on the centerline of the claim approximately 20 feet in a SE direction to the SE  
end line and 1480 feet in a NW direction to the NW end line. This claim is marked by six  
monuments, one at each corner and one at the center of each end line of the claim.

The location monument on which this notice is posted is situated within Section \_\_\_\_\_, Township 19  
N, Range 20 W, Gila Salt River Base and Meridian, Arizona and this claim encompasses portions  
of the following quarter section(s), section(s), Township(s) and Range(s) \_\_\_\_\_  
SW1/4, NW1/4 Sec.10 T19N R20W

Gila Salt River Base and Meridian, Arizona.

The locality of this claim with reference to some natural object or permanent monument and additional information  
(if any) concerning its locality are as follows: \_\_\_\_\_

NW claim corner is 1,062'E 1,892'S from NW corner of Sec.10 T19N R20W

\_\_\_\_\_ The above information is shown on the attached map.

DATED AND POSTED on the ground this 28<sup>th</sup> day of November, 20 17.

LOCATOR(s)  AGENT

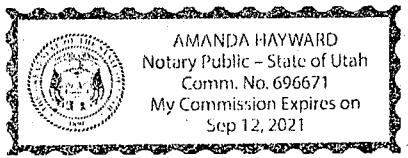
Print Name(s) Stuart Burgess

Signature(s) \_\_\_\_\_

State of Utah  
County of Salt Lake

This instrument was signed and sworn to before me  
on 12/2/17 by Stuart Burgess  
(Name of signer)

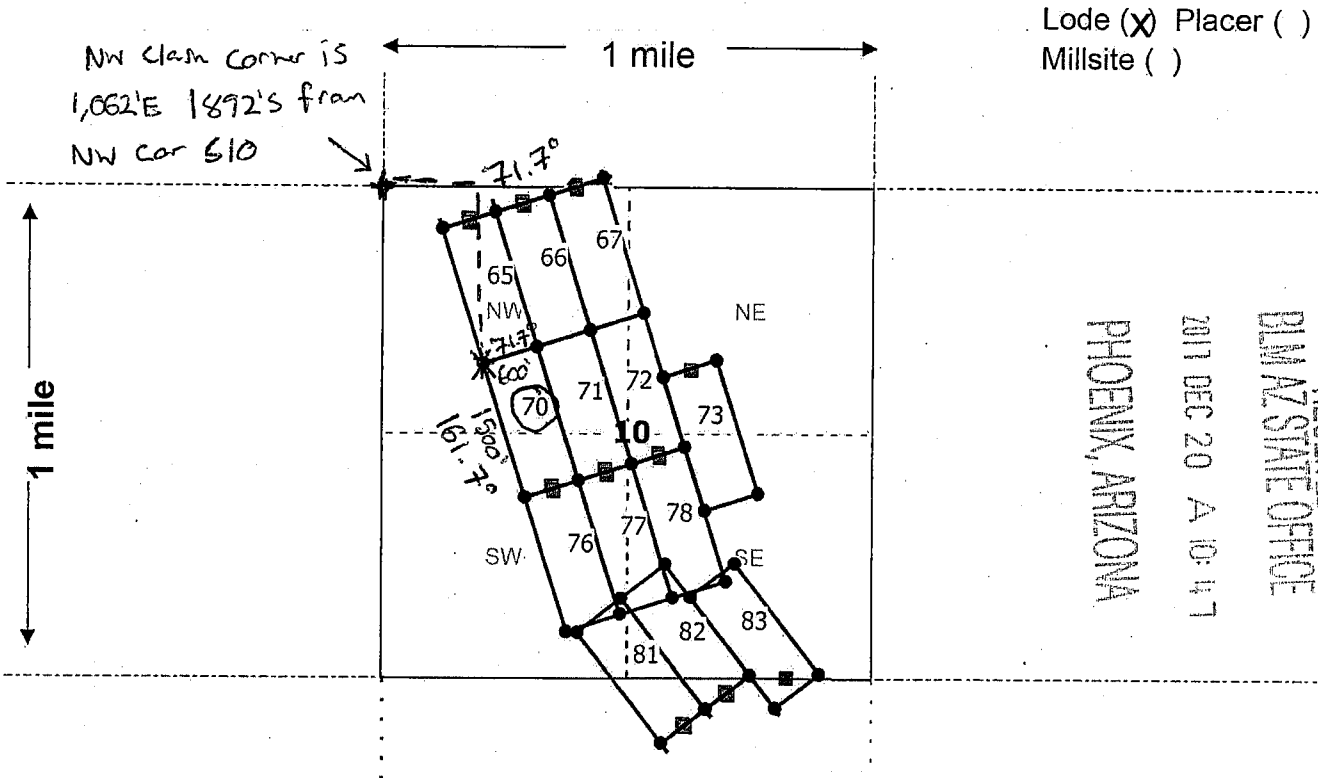
ASH  
(Notary Signature)



[Affix seal/stamp to the left or below]

AMC 448261

**MINING CLAIM MAP**



Lode (X) Placer ( )  
Millsite ( )

RECEIVED  
BIA AZ STATE OFFICE  
2017 DEC 20 A 10:17  
PHOENIX, ARIZONA

AMC448261

Scale: 1" = 2000 feet



1. The above map depicts the GRMC 70 mining claim, which is located in Section (s) 10, Township 19 N, Range 20 W, Gila and Salt River Base and Meridian, Mohave County, Arizona. Total claim acreage is 20

2. The type of corner and location monuments used are as follows: 2"X2"X50" wooden posts with metal tags or rock monument

3. The bearings and distances in degrees and feet between claim corners and to a public land survey monument are as depicted on the map.

4. If the claim is a placer or millsite claim with exterior limits conforming to legal subdivisions of the public survey, provide a legal description of the claim \_\_\_\_\_

Form MCF100a  
Revised July 2014

This form is available from the Arizona Geology Survey and may be reproduced.

2E

Gold Road Mining Corp.  
Suite 450, 1090 West Georgia Street  
Vancouver, BC V6E 3V7 Canada

FEE# 2017062250

OFFICIAL RECORDS  
OF MOHAVE COUNTY  
KRISTI BLAIR,  
COUNTY RECORDER



12/26/2017 02:27 PM Fee: \$10.00

PAGE: 1 of 2

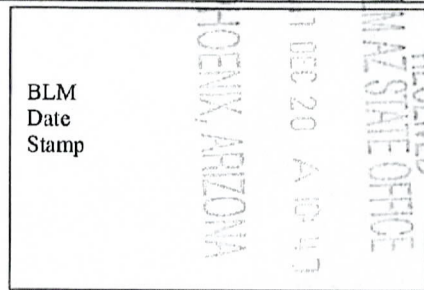
WHEN RECORDED MAIL TO (MC):

FENNEMORE CRAIG  
2394 EAST CAMELBACK RD  
SUITE 600  
PHOENIX AZ 85016

LOCATION NOTICE FOR LODE MINING CLAIM

Amendment BLM Serial # \_\_\_\_\_

NOTICE IS HEREBY GIVEN that the GRMC 71  
\_\_\_\_\_ lode mining claim has been located  
by Gold Road Mining Corp. whose current mailing  
address is Suite 450, 1090 West Georgia Street  
Vancouver, BC V6E 3V7 Canada



The general course of this claim is Northwest-Southeast and it is situated in Mohave  
County, Arizona. This claim is 1500 feet in length and 600 feet in width.

20 Total Claim Acreage. This claim runs from the location monument on which this location notice  
is posted on the centerline of the claim approximately 20 feet in a SE direction to the SE  
end line and 1480 feet in a NW direction to the NW end line. This claim is marked by six  
monuments, one at each corner and one at the center of each end line of the claim.

The location monument on which this notice is posted is situated within Section 10, Township 19  
N, Range 20 W, Gila Salt River Base and Meridian, Arizona and this claim encompasses portions  
of the following quarter section(s), section(s), Township(s) and Range(s) \_\_\_\_\_  
NW1/4, SW1/4, SE1/4 Sec. 10 T19N R20W

Gila Salt River Base and Meridian, Arizona.

The locality of this claim with reference to some natural object or permanent monument and additional information  
(if any) concerning its locality are as follows: \_\_\_\_\_

NW claim corner is 1,635'E 1,720'S from NW s corner of Sec.10 T19N R20W

\_\_\_\_\_ The above information is shown on the attached map.

DATED AND POSTED on the ground this 28th day of November, 20 17.

LOCATOR(s)  AGENT

Print Name(s) Stuart Burgess

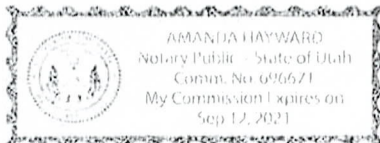
Signature(s) \_\_\_\_\_

State of Utah  
County of Salt Lake

This instrument was signed and sworn to before me  
on 12/2/17 by Stuart Burgess  
(Name of signer)

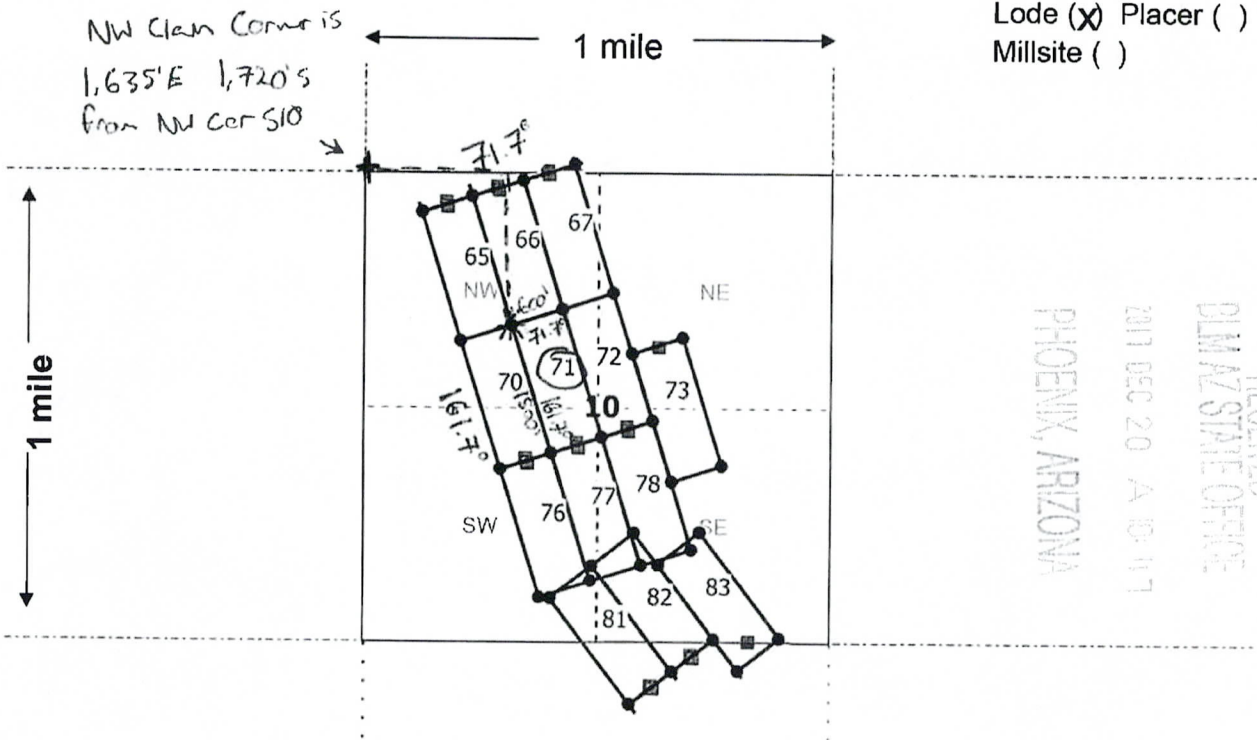
\_\_\_\_\_  
(Notary Signature)

[Affix seal/stamp to the left or below]



AMC 448262

**MINING CLAIM MAP**



AMC 448262

- The above map depicts the GRMC 71 mining claim, which is located in Section (s) 10, Township 19 N, Range 20 W, Gila and Salt River Base and Meridian, Mohave County, Arizona. Total claim acreage is 20
- The type of corner and location monuments used are as follows: 2"X2"X50" wooden posts with metal tags or rock monument
- The bearings and distances in degrees and feet between claim corners and to a public land survey monument are as depicted on the map.
- If the claim is a placer or millsite claim with exterior limits conforming to legal subdivisions of the public survey, provide a legal description of the claim \_\_\_\_\_

Form MCF100a  
Revised July 2014

Gold Road Mining Corp.  
Suite 450, 1090 West Georgia Street  
Vancouver, BC V6E 3V7 Canada

**LOCATION NOTICE FOR LODE MINING CLAIM**

Amendment BLM Serial # \_\_\_\_\_

NOTICE IS HEREBY GIVEN that the GRMC 71  
\_\_\_\_\_ lode mining claim has been located  
by Gold Road Mining Corp. whose current mailing  
address is Suite 450, 1090 West Georgia Street  
Vancouver, BC V6E 3V7 Canada

BLM  
Date  
Stamp  
RECEIVED  
BLM STATE OFFICE  
2017 DEC 20 A 10:47  
PHOENIX, ARIZONA

The general course of this claim is Northwest-Southeast and it is situated in Mohave  
County, Arizona. This claim is 1500 feet in length and 600 feet in width.

20 Total Claim Acreage. This claim runs from the location monument on which this location notice  
is posted on the centerline of the claim approximately 20 feet in a SE direction to the SE  
end line and 1480 feet in a NW direction to the NW end line. This claim is marked by six  
monuments, one at each corner and one at the center of each end line of the claim.

The location monument on which this notice is posted is situated within Section 10, Township 19  
N, Range 20 W, Gila Salt River Base and Meridian, Arizona and this claim encompasses portions  
of the following quarter section(s), section(s), Township(s) and Range(s) \_\_\_\_\_  
NW1/4, SW1/4, SE1/4 Sec. 10 T19N R20W

Gila Salt River Base and Meridian, Arizona.

The locality of this claim with reference to some natural object or permanent monument and additional information  
(if any) concerning its locality are as follows: \_\_\_\_\_

NW claim corner is 1,635'E 1,720'S from NW s corner of Sec.10 T19N R20W

The above information is shown on the attached map.

DATED AND POSTED on the ground this 28th day of November, 20 17.

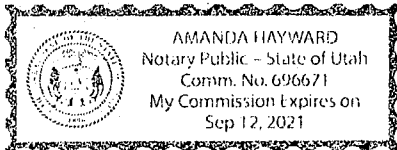
LOCATOR(s)  AGENT

Print Name(s) Stuart Burgess

Signature(s) \_\_\_\_\_

State of Utah  
County of Salt Lake

This instrument was signed and sworn to before me  
on 12/2/17 by Stuart Burgess  
(Name of signer)

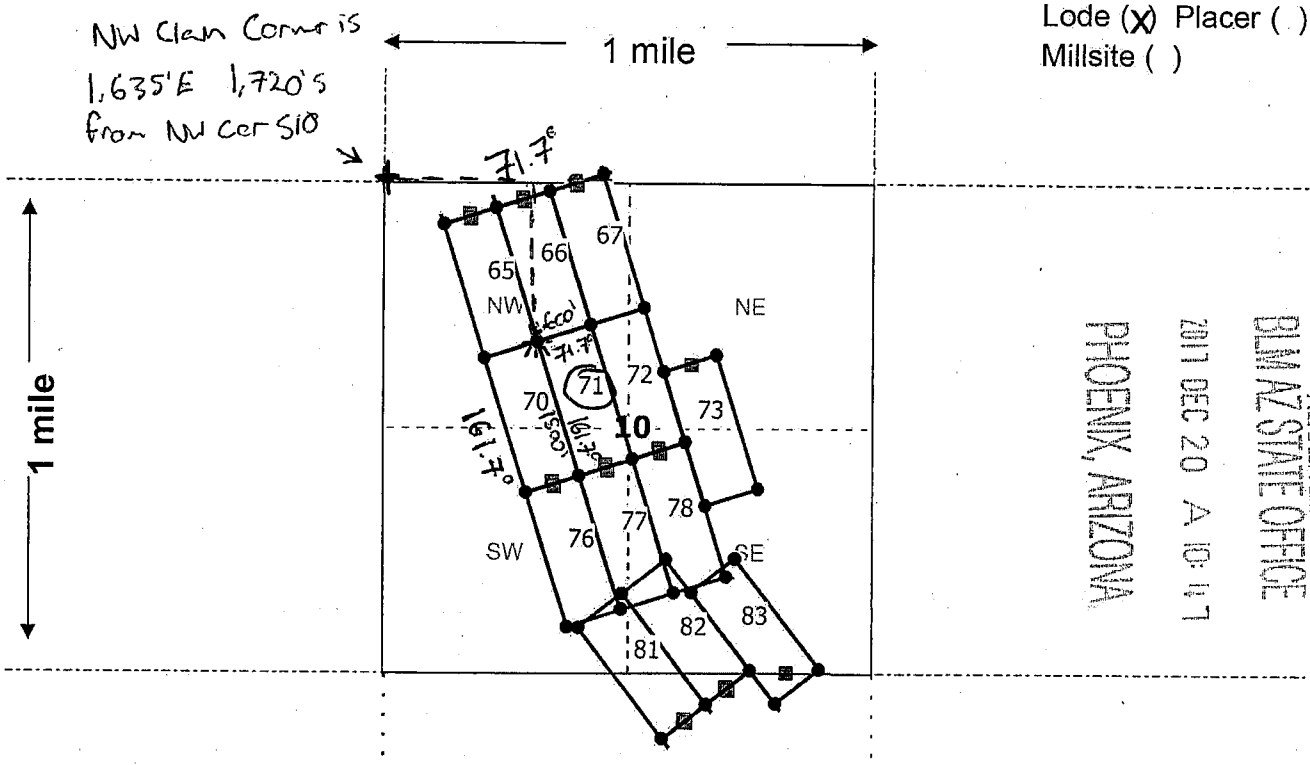


AmH  
(Notary Signature)

[Affix seal/stamp to the left or below]

AMC448262

**MINING CLAIM MAP**



Scale: 1" = 2000 feet



1. The above map depicts the GRMC 71 mining claim, which is located in Section (s) 10, Township 19 N, Range 20 W, Gila and Salt River Base and Meridian, Mohave County, Arizona. Total claim acreage is 20

2. The type of corner and location monuments used are as follows: 2"X2"X50" wooden posts with metal tags or rock monument

3. The bearings and distances in degrees and feet between claim corners and to a public land survey monument are as depicted on the map.

4. If the claim is a placer or millsite claim with exterior limits conforming to legal subdivisions of the public survey, provide a legal description of the claim \_\_\_\_\_

Form MCF100a  
Revised July 2014

This form is available from the **Arizona Geology Survey** and may be reproduced.

AMC448262



2E

Gold Road Mining Corp.  
Suite 450, 1090 West Georgia Street  
Vancouver, BC V6E 3V7 Canada

WHEN RECORDED MAIL TO (MC):

FENNEMORE CRAIG  
2394 EAST CAMELBACK RD  
SUITE 600  
PHOENIX AZ 85016

**FEE# 2017062251**

OFFICIAL RECORDS  
OF MOHAVE COUNTY  
KRISTI BLAIR,  
COUNTY RECORDER



12/26/2017 02:27 PM Fee: \$10.00

PAGE: 1 of 2

**LOCATION NOTICE FOR LODE MINING CLAIM**

Amendment BLM Serial # \_\_\_\_\_

NOTICE IS HEREBY GIVEN that the GRMC 72  
\_\_\_\_\_ lode mining claim has been located  
by Gold Road Mining Corp. whose current mailing  
address is Suite 450, 1090 West Georgia Street  
Vancouver, BC V6E 3V7 Canada

RECEIVED  
MILAZ STATE OFFICE  
2017 DEC 20 A 03:46  
PHOENIX, ARIZONA  
BLM  
Date  
Stamp

The general course of this claim is Northwest-Southeast and it is situated in Mohave  
County, Arizona. This claim is 1500 feet in length and 600 feet in width.

20 Total Claim Acreage. This claim runs from the location monument on which this location notice  
is posted on the centerline of the claim approximately 20 feet in a SE direction to the SE  
end line and 1480 feet in a NW direction to the NW end line. This claim is marked by six  
monuments, one at each corner and one at the center of each end line of the claim.

The location monument on which this notice is posted is situated within Section 10, Township 19  
N, Range 20 W, Gila Salt River Base and Meridian, Arizona and this claim encompasses portions  
of the following quarter section(s), section(s), Township(s) and Range(s) \_\_\_\_\_  
NW1/4, NE1/4, SW1/4, SE1/4 Sec.10 T19N R20W

Gila Salt River Base and Meridian, Arizona.

The locality of this claim with reference to some natural object or permanent monument and additional information  
(if any) concerning its locality are as follows: \_\_\_\_\_

NW claim corner is 2,211'E 1,545'S from NW corner of Sec.10 T19N R20W

\_\_\_\_\_ The above information is shown on the attached map.

DATED AND POSTED on the ground this 28th day of November, 20 17.

LOCATOR(s)  AGENT

Print Name(s) Stuart Burgess

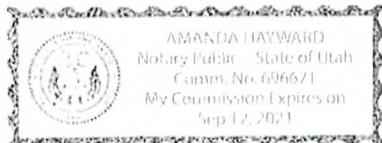
Signature(s) \_\_\_\_\_

State of Utah  
County of Salt Lake

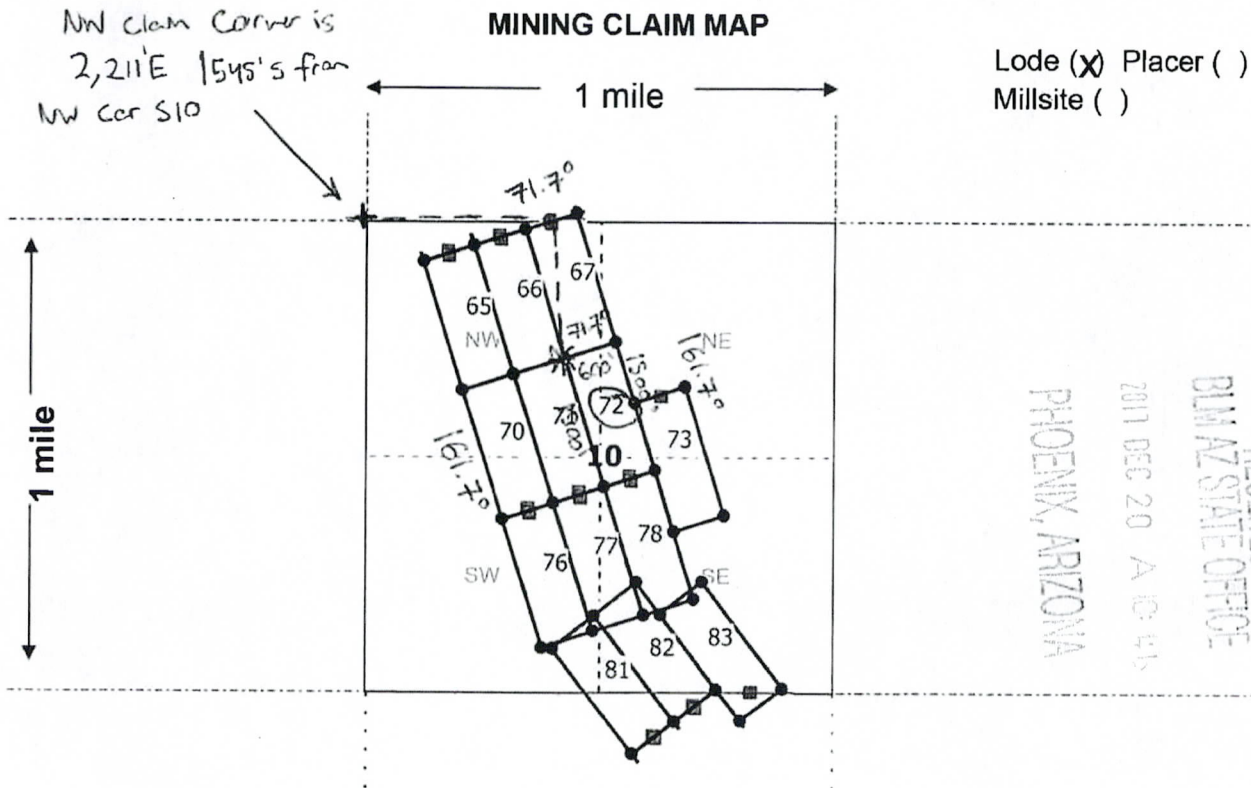
This instrument was signed and sworn to before me  
on 12/2/17 by Stuart Burgess  
(Name of signer)

AMH  
(Notary Signature)

[Affix seal/stamp to the left or below]



AMC448263



RECEIVED  
 BLM AZ STATE OFFICE  
 PHOENIX, ARIZONA  
 2011 DEC 20 A 10:41

AMC 448263

- The above map depicts the GRMC 72 mining claim, which is located in Section (s) 10, Township 19 N, Range 20 W, Gila and Salt River Base and Meridian, Mohave County, Arizona. Total claim acreage is 20
- The type of corner and location monuments used are as follows: 2"X2"X50" wooden posts with metal tags or rock monument
- The bearings and distances in degrees and feet between claim corners and to a public land survey monument are as depicted on the map.
- If the claim is a placer or millsite claim with exterior limits conforming to legal subdivisions of the public survey, provide a legal description of the claim \_\_\_\_\_

**Form MCF100a**  
Revised July 2014

This form is available from the **Arizona Geology Survey** and may be reproduced.

Gold Road Mining Corp.  
Suite 450, 1090 West Georgia Street  
Vancouver, BC V6E 3V7 Canada

**LOCATION NOTICE FOR LODE MINING CLAIM**

Amendment BLM Serial # \_\_\_\_\_

NOTICE IS HEREBY GIVEN that the GRMC 72  
\_\_\_\_\_ lode mining claim has been located  
by Gold Road Mining Corp. whose current mailing  
address is Suite 450, 1090 West Georgia Street  
Vancouver, BC V6E 3V7 Canada

RECEIVED  
BLM AZ STATE OFFICE  
PHOENIX, ARIZONA  
2017 DEC 20 A 10:46  
BLM  
Date  
Stamp

The general course of this claim is Northwest-Southeast and it is situated in Mohave  
County, Arizona. This claim is 1500 feet in length and 600 feet in width.

20 Total Claim Acreage. This claim runs from the location monument on which this location notice  
is posted on the centerline of the claim approximately 20 feet in a SE direction to the SE  
end line and 1480 feet in a NW direction to the NW end line. This claim is marked by six  
monuments, one at each corner and one at the center of each end line of the claim.

The location monument on which this notice is posted is situated within Section 10, Township 19  
N, Range 20 W, Gila Salt River Base and Meridian, Arizona and this claim encompasses portions  
of the following quarter section(s), section(s), Township(s) and Range(s) \_\_\_\_\_  
NW1/4, NE1/4, SW1/4, SE1/4 Sec.10 T19N R20W

Gila Salt River Base and Meridian, Arizona.

The locality of this claim with reference to some natural object or permanent monument and additional information  
(if any) concerning its locality are as follows: \_\_\_\_\_

NW claim corner is 2,211'E 1,545'S from NW corner of Sec.10 T19N R20W

\_\_\_\_\_ The above information is shown on the attached map.

DATED AND POSTED on the ground this 28th day of November, 20 17.

LOCATOR(s)  AGENT

Print Name(s) Stuart Burgess

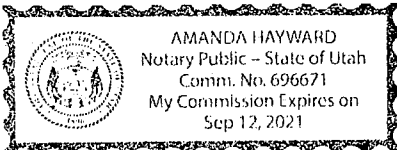
Signature(s) \_\_\_\_\_

State of Utah  
County of Salt Lake

This instrument was signed and sworn to before me  
on 12/2/17 by Stuart Burgess  
(Name of signer)

AMH  
(Notary Signature)

[Affix seal/stamp to the left or below]

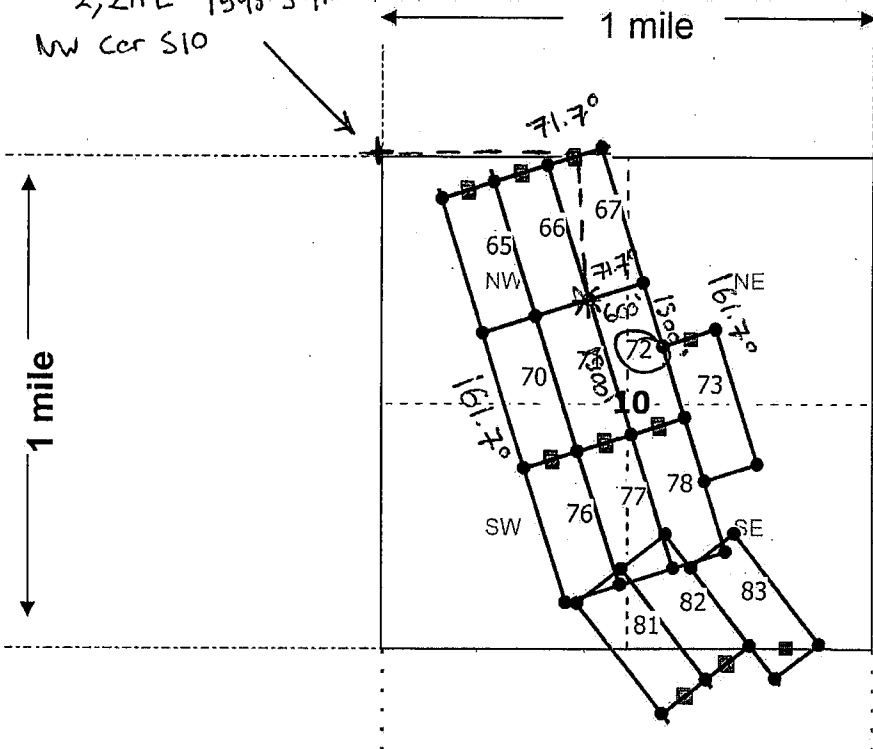


AMC448263

NW claim corner is  
2,211'E 1545's from  
NW cor S10

**MINING CLAIM MAP**

Lode (X) Placer ( )  
Millsite ( )



RECEIVED  
BIA AZ STATE OFFICE  
2011 DEC 20 A 10:46  
PHOENIX, ARIZONA

AMC 448263

Scale: 1" = 2000 feet



1. The above map depicts the GRMC 72 mining claim, which is located in Section (s) 10, Township 19 N, Range 20 W, Gila and Salt River Base and Meridian, Mohave County, Arizona. Total claim acreage is 20

2. The type of corner and location monuments used are as follows: 2"X2"X50" wooden posts with metal tags or rock monument

3. The bearings and distances in degrees and feet between claim corners and to a public land survey monument are as depicted on the map.

4. If the claim is a placer or millsite claim with exterior limits conforming to legal subdivisions of the public survey, provide a legal description of the claim \_\_\_\_\_

Form MCF100a  
Revised July 2014

26

Gold Road Mining Corp.  
Suite 450, 1090 West Georgia Street  
Vancouver, BC V6E 3V7 Canada

FEE# 2017062252

OFFICIAL RECORDS  
OF MOHAVE COUNTY  
KRISTI BLAIR,  
COUNTY RECORDER



12/26/2017 02:27 PM Fee: \$10.00

PAGE: 1 of 2

WHEN RECORDED MAIL TO (MC):

FENNEMORE CRAIG  
2394 EAST CAMELBACK RD  
SUITE 600  
PHOENIX AZ 85016

LOCATION NOTICE FOR LODE MINING CLAIM

Amendment BLM Serial # \_\_\_\_\_

NOTICE IS HEREBY GIVEN that the GRMC 73  
\_\_\_\_\_ lode mining claim has been located  
by Gold Road Mining Corp. whose current mailing  
address is Suite 450, 1090 West Georgia Street  
Vancouver, BC V6E 3V7 Canada

RECEIVED  
BLM AZ STATE OFFICE  
PHOENIX, ARIZONA  
DEC 20 10 18 AM '17

The general course of this claim is Northwest-Southeast and it is situated in Mohave  
County, Arizona. This claim is 1500 feet in length and 600 feet in width.

20 Total Claim Acreage. This claim runs from the location monument on which this location notice  
is posted on the centerline of the claim approximately 20 feet in a NW direction to the NW  
end line and 1480 feet in a SE direction to the SE end line. This claim is marked by six  
monuments, one at each corner and one at the center of each end line of the claim.

The location monument on which this notice is posted is situated within Section 10, Township 19  
N, Range 20 W, Gila Salt River Base and Meridian, Arizona and this claim encompasses portions  
of the following quarter section(s), section(s), Township(s) and Range(s) \_\_\_\_\_  
NE1/4, SE1/4 Sec.10 T19N R20W

Gila Salt River Base and Meridian, Arizona.

The locality of this claim with reference to some natural object or permanent monument and additional information  
(if any) concerning its locality are as follows: \_\_\_\_\_

NW claim corner is 2,295'W 2,044'S from NE corner of Sec.10 T19N R20W

\_\_\_\_\_ The above information is shown on the attached map.

DATED AND POSTED on the ground this 28<sup>th</sup> day of November, 20 17.

LOCATOR(s)  AGENT

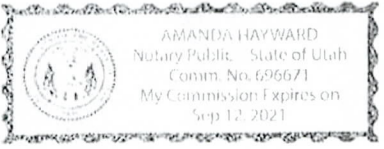
Print Name(s) Stuart Burgess

Signature(s) \_\_\_\_\_

State of Utah  
County of Salt Lake

This instrument was signed and sworn to before me  
on 12/21/17 by Stuart Burgess  
(Name of signer)

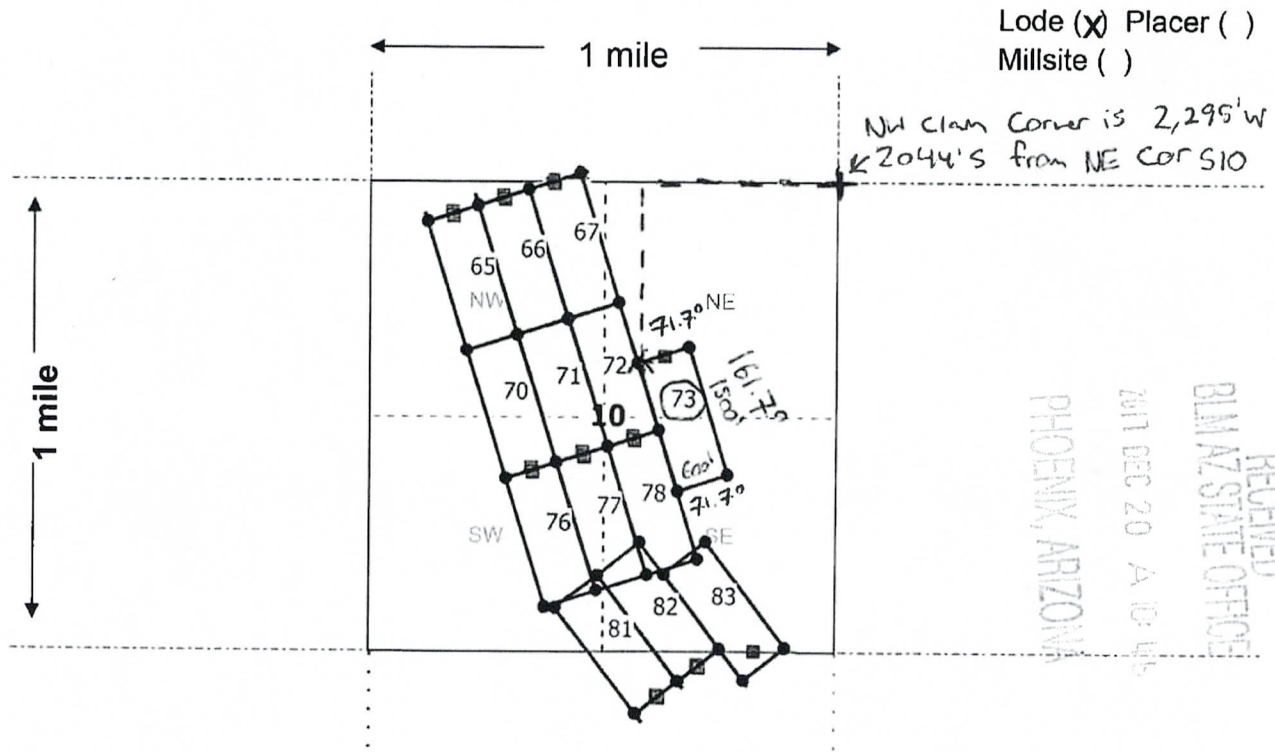
AKH  
(Notary Signature)



[Affix seal/stamp to the left or below]

AMC448264

**MINING CLAIM MAP**



Scale: 1" = 2000 feet



1. The above map depicts the GRMC 73 mining claim, which is located in Section (s) 10, Township 19 N, Range 20 W, Gila and Salt River Base and Meridian, Mohave County, Arizona. Total claim acreage is 20

2. The type of corner and location monuments used are as follows: 2"X2"X50" wooden posts with metal tags or rock monument

3. The bearings and distances in degrees and feet between claim corners and to a public land survey monument are as depicted on the map.

4. If the claim is a placer or millsite claim with exterior limits conforming to legal subdivisions of the public survey, provide a legal description of the claim \_\_\_\_\_

Form MCF100a  
Revised July 2014

This form is available from the **Arizona Geology Survey** and may be reproduced.

AMC448264

Gold Road Mining Corp.  
Suite 450, 1090 West Georgia Street  
Vancouver, BC V6E 3V7 Canada

**LOCATION NOTICE FOR LODE MINING CLAIM**

Amendment BLM Serial # \_\_\_\_\_

NOTICE IS HEREBY GIVEN that the GRMC 73  
\_\_\_\_\_ lode mining claim has been located  
by Gold Road Mining Corp. whose current mailing  
address is Suite 450, 1090 West Georgia Street  
Vancouver, BC V6E 3V7 Canada

RECEIVED  
BLM  
Date  
Stamp  
PHOENIX, ARIZONA  
JUN 17 DEC 20 A 10:46  
BLM STATE OFFICE

The general course of this claim is Northwest-Southeast and it is situated in Mohave  
County, Arizona. This claim is 1500 feet in length and 600 feet in width.

20 Total Claim Acreage. This claim runs from the location monument on which this location notice  
is posted on the centerline of the claim approximately 20 feet in a NW direction to the NW  
end line and 1480 feet in a SE direction to the SE end line. This claim is marked by six  
monuments, one at each corner and one at the center of each end line of the claim.

The location monument on which this notice is posted is situated within Section 10, Township 19  
N, Range 20 W, Gila Salt River Base and Meridian, Arizona and this claim encompasses portions  
of the following quarter section(s), section(s), Township(s) and Range(s) \_\_\_\_\_  
NE1/4, SE1/4 Sec.10 T19N R20W

Gila Salt River Base and Meridian, Arizona.

The locality of this claim with reference to some natural object or permanent monument and additional information  
(if any) concerning its locality are as follows: \_\_\_\_\_

NW claim corner is 2,295'W 2,044'S from NE corner of Sec.10 T19N R20W

\_\_\_\_\_ The above information is shown on the attached map.

DATED AND POSTED on the ground this 28<sup>th</sup> day of November, 2017.

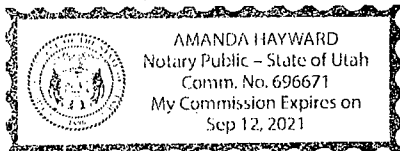
LOCATOR(s)  AGENT

Print Name(s) Stuart Burgess

Signature(s) \_\_\_\_\_

State of Utah  
County of Salt Lake

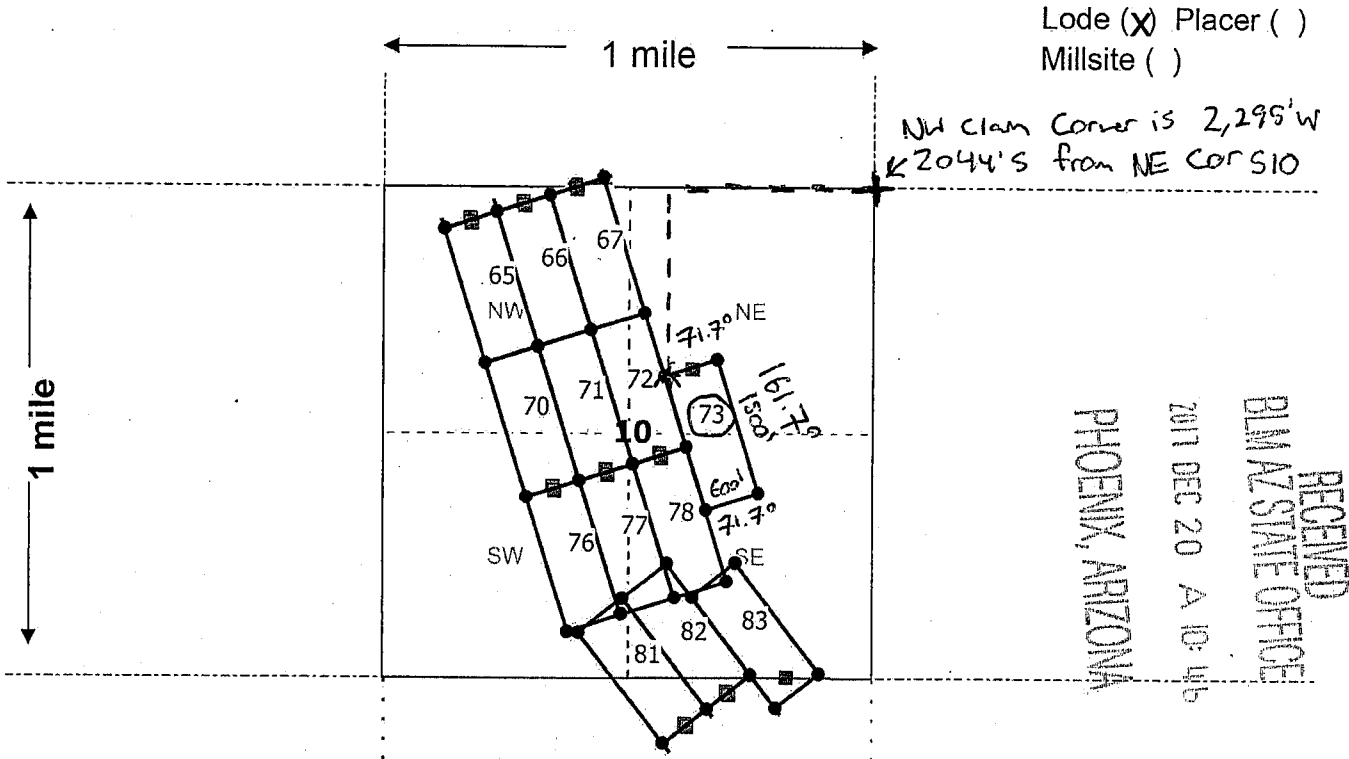
This instrument was signed and sworn to before me  
on 12/17/17 by Stuart Burgess  
(Name of signer)



AH  
(Notary Signature)  
[Affix seal/stamp to the left or below]

AMC 448264

**MINING CLAIM MAP**



RECEIVED  
BIA AZ STATE OFFICE  
2011 DEC 20 A 10:46  
PHOENIX, ARIZONA

Scale: 1" = 2000 feet



1. The above map depicts the GRMC 73 mining claim, which is located in Section (s) 10, Township 19 N, Range 20 W, Gila and Salt River Base and Meridian, Mohave County, Arizona. Total claim acreage is 20

2. The type of corner and location monuments used are as follows: 2"X2"X50" wooden posts with metal tags or rock monument

3. The bearings and distances in degrees and feet between claim corners and to a public land survey monument are as depicted on the map.

4. If the claim is a placer or millsite claim with exterior limits conforming to legal subdivisions of the public survey, provide a legal description of the claim \_\_\_\_\_

Form MCF100a  
Revised July 2014

This form is available from the Arizona Geology Survey and may be reproduced.

AMC 448264



2E

Gold Road Mining Corp.  
Suite 450, 1090 West Georgia Street  
Vancouver, BC V6E 3V7 Canada

WHEN RECORDED MAIL TO (MC):

FENNEMORE CRAIG  
2394 EAST CAMELBACK RD  
SUITE 600  
PHOENIX AZ 85016

**FEE# 2017062253**

OFFICIAL RECORDS  
OF MOHAVE COUNTY  
KRISTI BLAIR,  
COUNTY RECORDER



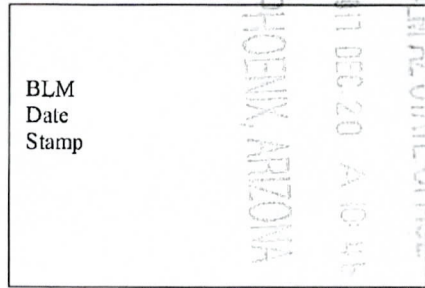
12/26/2017 02:27 PM Fee: \$10.00

PAGE: 1 of 2

**LOCATION NOTICE FOR LODE MINING CLAIM**

Amendment BLM Serial # \_\_\_\_\_

NOTICE IS HEREBY GIVEN that the GRMC 74  
\_\_\_\_\_ lode mining claim has been located  
by Gold Road Mining Corp. whose current mailing  
address is Suite 450, 1090 West Georgia Street  
Vancouver, BC V6E 3V7 Canada



The general course of this claim is Northwest-Southeast and it is situated in Mohave  
County, Arizona. This claim is 1500 feet in length and 600 feet in width.

20 Total Claim Acreage. This claim runs from the location monument on which this location notice  
is posted on the centerline of the claim approximately 20 feet in a NW direction to the NW  
end line and 1480 feet in a SE direction to the SE end line. This claim is marked by six  
monuments, one at each corner and one at the center of each end line of the claim.

The location monument on which this notice is posted is situated within Section 9, Township 19  
N, Range 20 W, Gila Salt River Base and Meridian, Arizona and this claim encompasses portions  
of the following quarter section(s), section(s), Township(s) and Range(s) \_\_\_\_\_

SE1/4 Sec.9, SW1/4 Sec.10, NE1/4 Sec.16 and NW1/4 Sec.15 T19N R20W  
Gila Salt River Base and Meridian, Arizona.

The locality of this claim with reference to some natural object or permanent monument and additional information  
(if any) concerning its locality are as follows: \_\_\_\_\_

NW claim corner is 409'W 4,332'S from NE corner of Sec.9 T19N R20W

\_\_\_\_\_ The above information is shown on the attached map.

DATED AND POSTED on the ground this 25th day of November, 20 17.

LOCATOR(s)  AGENT

Print Name(s) Stuart Burgess

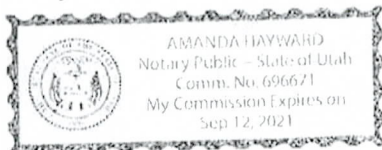
Signature(s) \_\_\_\_\_

State of Utah  
County of Salt Lake

This instrument was signed and sworn to before me  
on 12/2/17 by Stuart Burgess  
(Name of signer)

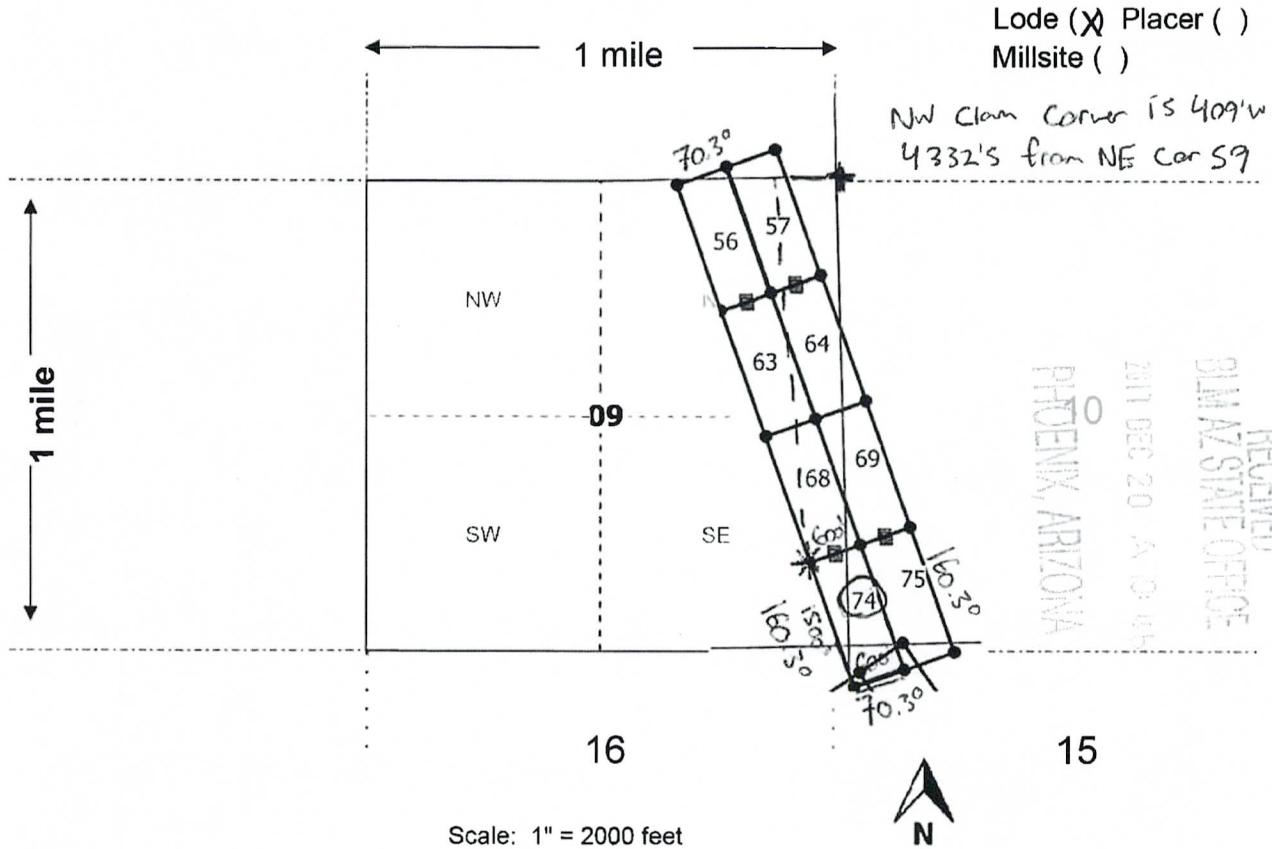
ASH  
(Notary Signature)

[Affix seal/stamp to the left or below]



AMC 448265

**MINING CLAIM MAP**



Scale: 1" = 2000 feet

1. The above map depicts the GRMC 74 mining claim, which is located in Section (s) 9,10,15,16, Township 19 N, Range 20 W, Gila and Salt River Base and Meridian, Mohave County, Arizona. Total claim acreage is 20

2. The type of corner and location monuments used are as follows: 2"X2"X50" wooden posts with metal tags or rock monument

3. The bearings and distances in degrees and feet between claim corners and to a public land survey monument are as depicted on the map.

4. If the claim is a placer or millsite claim with exterior limits conforming to legal subdivisions of the public survey, provide a legal description of the claim \_\_\_\_\_

Form MCF100a  
Revised July 2014

This form is available from the Arizona Geology Survey and may be reproduced.

AMC 448265

Gold Road Mining Corp.  
Suite 450, 1090 West Georgia Street  
Vancouver, BC V6E 3V7 Canada

**LOCATION NOTICE FOR LODE MINING CLAIM**

Amendment BLM Serial # \_\_\_\_\_

NOTICE IS HEREBY GIVEN that the GRMC 74  
\_\_\_\_\_ lode mining claim has been located  
by Gold Road Mining Corp. whose current mailing  
address is Suite 450, 1090 West Georgia Street  
Vancouver, BC V6E 3V7 Canada

BLM  
Date  
Stamp  
2017 DEC 20 A 10:45  
PHOENIX, ARIZONA  
RECEIVED  
BLM AZ STATE OFFICE

The general course of this claim is Northwest-Southeast and it is situated in Mohave  
County, Arizona. This claim is 1500 feet in length and 600 feet in width.

20 Total Claim Acreage. This claim runs from the location monument on which this location notice  
is posted on the centerline of the claim approximately 20 feet in a NW direction to the NW  
end line and 1480 feet in a SE direction to the SE end line. This claim is marked by six  
monuments, one at each corner and one at the center of each end line of the claim.

The location monument on which this notice is posted is situated within Section 9, Township 19  
N, Range 20 W, Gila Salt River Base and Meridian, Arizona and this claim encompasses portions  
of the following quarter section(s), section(s), Township(s) and Range(s) \_\_\_\_\_  
SE1/4 Sec.9, SW1/4 Sec.10, NE1/4 Sec.16 and NW1/4 Sec.15 T19N R20W  
Gila Salt River Base and Meridian, Arizona.

The locality of this claim with reference to some natural object or permanent monument and additional information  
(if any) concerning its locality are as follows: \_\_\_\_\_

NW claim corner is 409'W 4,332'S from NE corner of Sec.9 T19N R20W

\_\_\_\_\_ The above information is shown on the attached map.

DATED AND POSTED on the ground this 28th day of November, 2017.

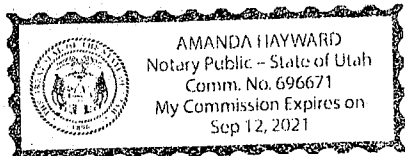
LOCATOR(s)  AGENT

Print Name(s) Stuart Burgess

Signature(s) \_\_\_\_\_

State of Utah  
County of Salt Lake

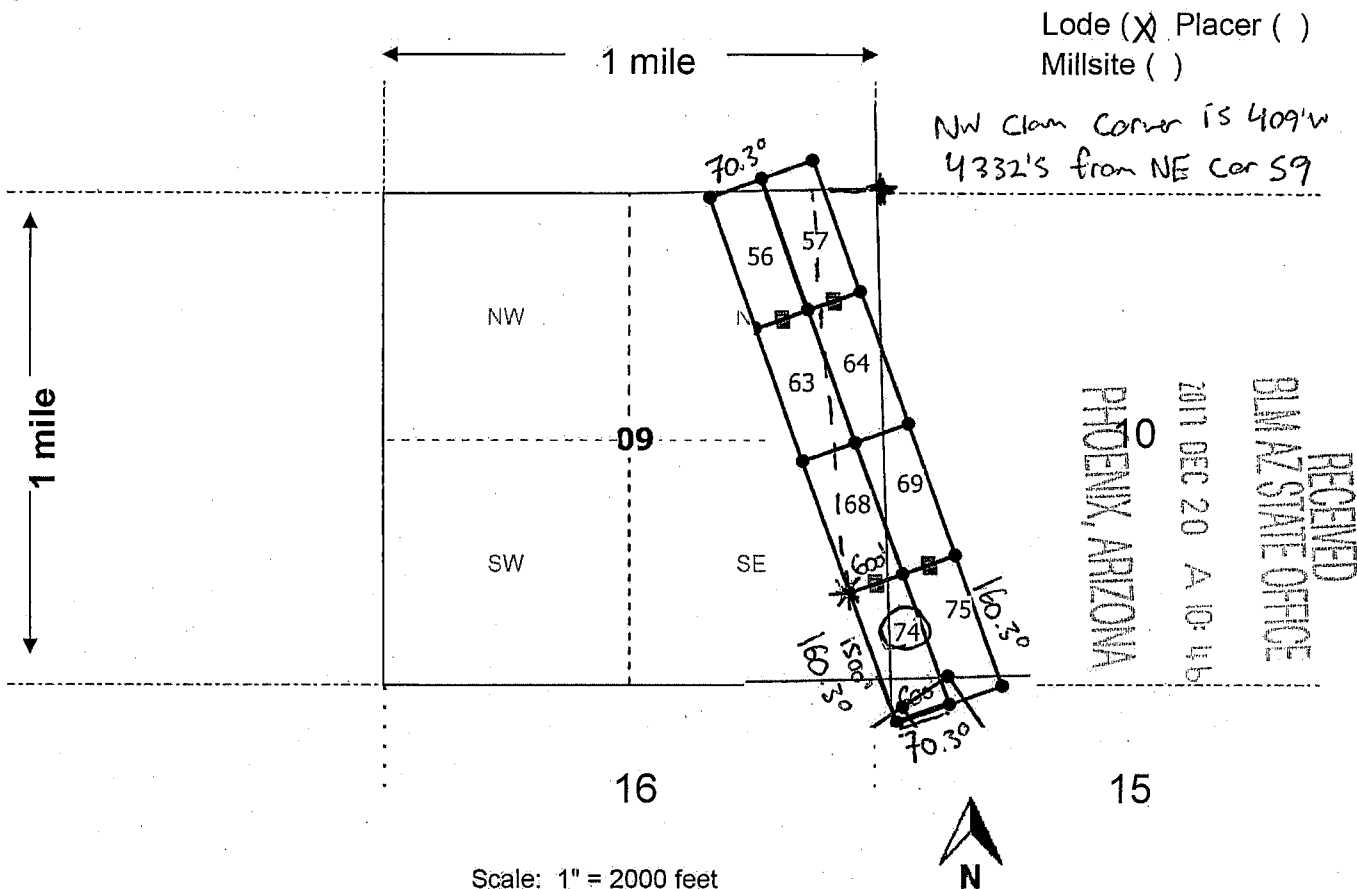
This instrument was signed and sworn to before me  
on 12/2/17 by Stuart Burgess  
(Name of signer)



ASH  
(Notary Signature)  
[Affix seal/stamp to the left or below]

AMC 448265

**MINING CLAIM MAP**



1. The above map depicts the GRMC 74 mining claim, which is located in Section (s) 9, 10, 15, 16, Township 19 N, Range 20 W, Gila and Salt River Base and Meridian, Mohave County, Arizona. Total claim acreage is 20
2. The type of corner and location monuments used are as follows: 2"X2"X50" wooden posts with metal tags or rock monument
3. The bearings and distances in degrees and feet between claim corners and to a public land survey monument are as depicted on the map.
4. If the claim is a placer or millsite claim with exterior limits conforming to legal subdivisions of the public survey, provide a legal description of the claim \_\_\_\_\_

Form MCF100a  
 Revised July 2014

This form is available from the Arizona Geology Survey and may be reproduced.

AMC448265

265

Gold Road Mining Corp.  
Suite 450, 1090 West Georgia Street  
Vancouver, BC V6E 3V7 Canada

WHEN RECORDED MAIL TO (MC):

FENNEMORE CRAIG  
2394 EAST CAMELBACK RD  
SUITE 600  
PHOENIX AZ 85016

**FEE# 2017062254**

OFFICIAL RECORDS  
OF MOHAVE COUNTY  
KRISTI BLAIR,  
COUNTY RECORDER



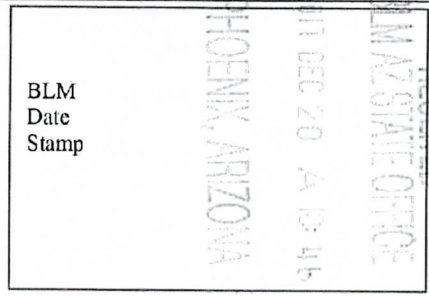
12/26/2017 02:27 PM Fee: \$10.00

PAGE: 1 of 2

**LOCATION NOTICE FOR LODE MINING CLAIM**

Amendment BLM Serial # \_\_\_\_\_

NOTICE IS HEREBY GIVEN that the GRMC 75  
\_\_\_\_\_ lode mining claim has been located  
by Gold Road Mining Corp whose current mailing  
address is Suite 450, 1090 West Georgia Street  
Vancouver, BC V6E 3V7 Canada



The general course of this claim is Northwest-Southeast and it is situated in Mohave  
County, Arizona. This claim is 1500 feet in length and 600 feet in width.

20 Total Claim Acreage. This claim runs from the location monument on which this location notice  
is posted on the centerline of the claim approximately 20 feet in a NW direction to the NW  
end line and 1480 feet in a SE direction to the SE end line. This claim is marked by six  
monuments, one at each corner and one at the center of each end line of the claim.

The location monument on which this notice is posted is situated within Section 10, Township 19  
N, Range 20 W, Gila Salt River Base and Meridian, Arizona and this claim encompasses portions  
of the following quarter section(s), section(s), Township(s) and Range(s) \_\_\_\_\_  
SW1/4 Sec.10, NW1/4 Sec.15 T19N R20W

Gila Salt River Base and Meridian, Arizona.

The locality of this claim with reference to some natural object or permanent monument and additional information  
(if any) concerning its locality are as follows: \_\_\_\_\_

NW claim corner is 162'E 1,136'N from SW corner of Sec.10 T19N R20W

\_\_\_\_\_ The above information is shown on the attached map.

DATED AND POSTED on the ground this 26th day of November, 2017.

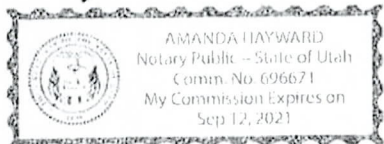
LOCATOR(s)  AGENT

Print Name(s) Stuart Burgess

Signature(s) \_\_\_\_\_

State of Utah  
County of Salt Lake

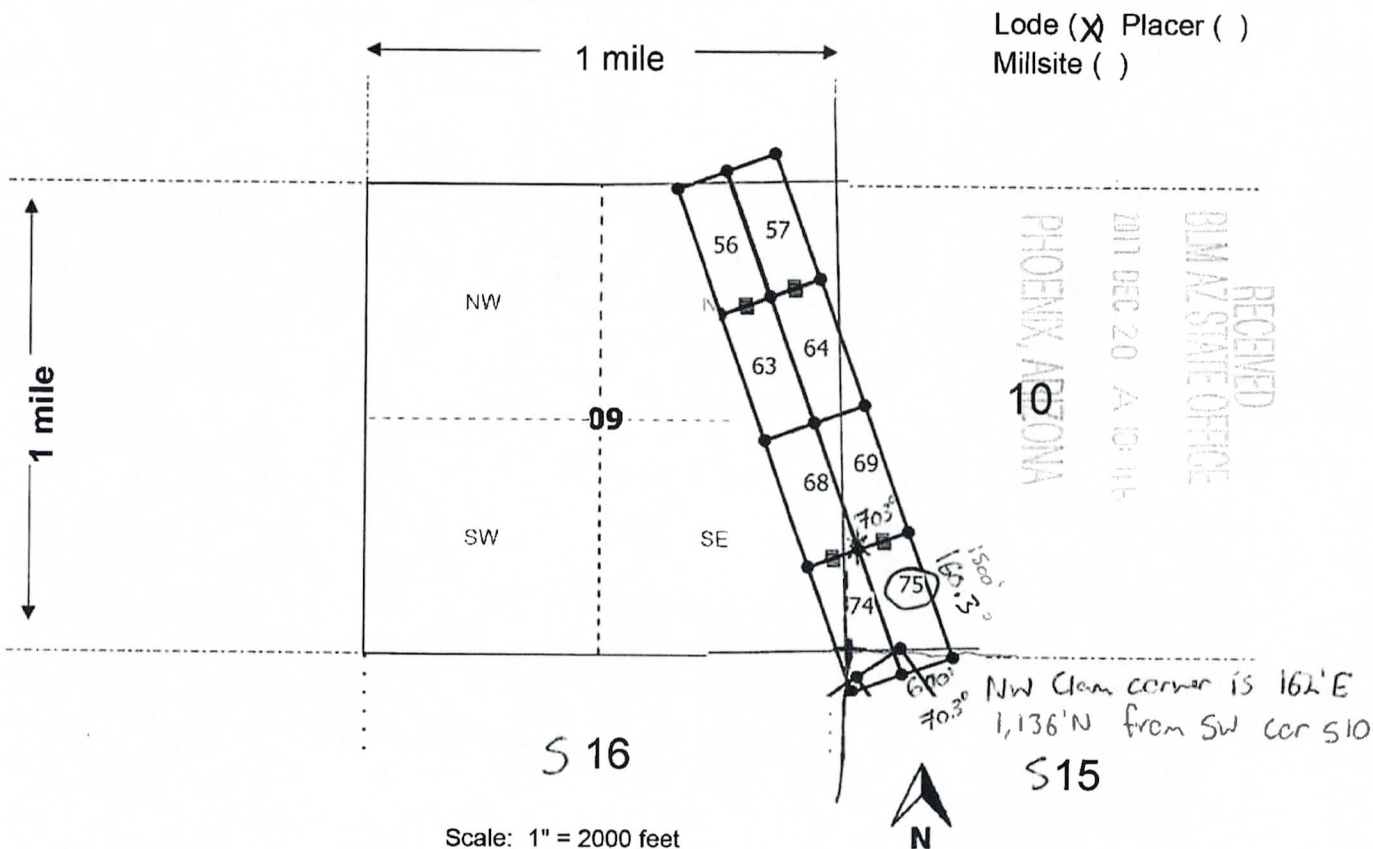
This instrument was signed and sworn to before me  
on 12/21/17 by Stuart Burgess  
(Name of signer)



AH  
(Notary Signature)  
[Affix seal/stamp to the left or below]

AMC 448266

**MINING CLAIM MAP**



1. The above map depicts the GRMC 75 mining claim, which is located in Section (s) 10, 15, Township 19 N, Range 20 W, Gila and Salt River Base and Meridian, Mohave County, Arizona. Total claim acreage is 20
2. The type of corner and location monuments used are as follows: 2"X2"X50" wooden posts with metal tags or rock monument
3. The bearings and distances in degrees and feet between claim corners and to a public land survey monument are as depicted on the map.
4. If the claim is a placer or millsite claim with exterior limits conforming to legal subdivisions of the public survey, provide a legal description of the claim \_\_\_\_\_

AMC448266

Form MCF100a  
Revised July 2014

This form is available from the Arizona Geology Survey and may be reproduced.

Gold Road Mining Corp.  
Suite 450, 1090 West Georgia Street  
Vancouver, BC V6E 3V7 Canada

LOCATION NOTICE FOR LODE MINING CLAIM

Amendment BLM Serial # \_\_\_\_\_

NOTICE IS HEREBY GIVEN that the GRMC 75  
\_\_\_\_\_ lode mining claim has been located  
by Gold Road Mining Corp whose current mailing  
address is Suite 450, 1090 West Georgia Street  
Vancouver, BC V6E 3V7 Canada

RECEIVED  
BLM STATE OFFICE  
PHOENIX ARIZONA  
DEC 20 A 10:46  
BLM  
Date  
Stamp

The general course of this claim is Northwest-Southeast and it is situated in Mohave  
County, Arizona. This claim is 1500 feet in length and 600 feet in width.

20 Total Claim Acreage. This claim runs from the location monument on which this location notice  
is posted on the centerline of the claim approximately 20 feet in a NW direction to the NW  
end line and 1480 feet in a SE direction to the SE end line. This claim is marked by six  
monuments, one at each corner and one at the center of each end line of the claim.

The location monument on which this notice is posted is situated within Section 10, Township 19  
N, Range 20 W, Gila Salt River Base and Meridian, Arizona and this claim encompasses portions  
of the following quarter section(s), section(s), Township(s) and Range(s) \_\_\_\_\_  
SW1/4 Sec.10, NW1/4 Sec.15 T19N R20W

Gila Salt River Base and Meridian, Arizona.

The locality of this claim with reference to some natural object or permanent monument and additional information  
(if any) concerning its locality are as follows: \_\_\_\_\_

NW claim corner is 162'E 1,136'N from SW corner of Sec.10 T19N R20W

The above information is shown on the attached map.

DATED AND POSTED on the ground this 26th day of November, 20 17.

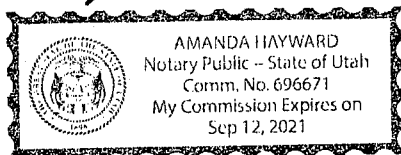
LOCATOR(s)  AGENT

Print Name(s) Stuart Burgess

Signature(s) \_\_\_\_\_

State of Utah  
County of Salt Lake

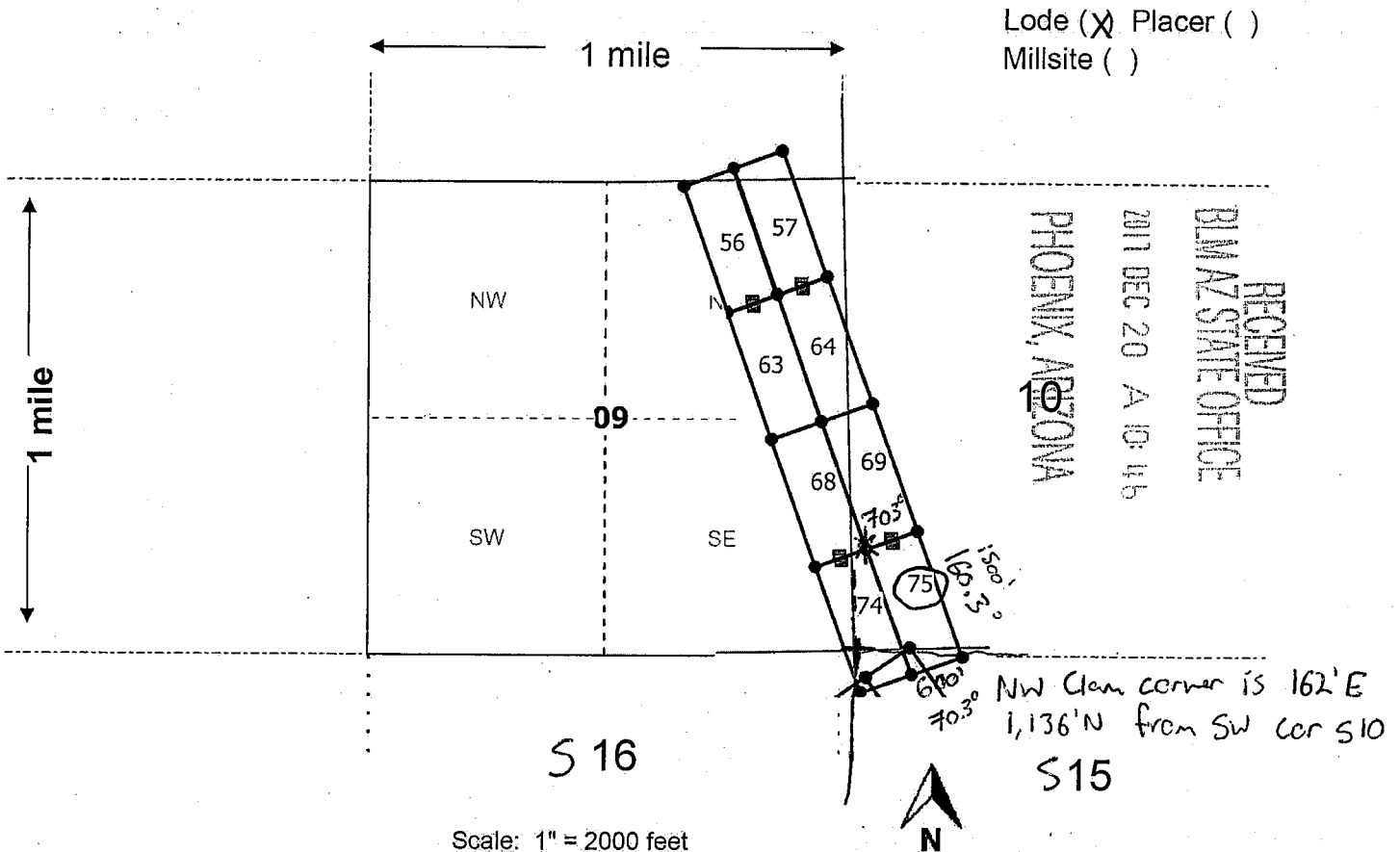
This instrument was signed and sworn to before me  
on 12/2/17 by Stuart Burgess  
(Name of signer)



AH  
(Notary Signature)  
[Affix seal/stamp to the left or below]

AMC 448266

**MINING CLAIM MAP**



Scale: 1" = 2000 feet

1. The above map depicts the GRMC 75 mining claim, which is located in Section (s) 10,15, Township 19 N, Range 20 W, Gila and Salt River Base and Meridian, Mohave County, Arizona. Total claim acreage is 20

2. The type of corner and location monuments used are as follows: 2"X2"X50" wooden posts with metal tags or rock monument

3. The bearings and distances in degrees and feet between claim corners and to a public land survey monument are as depicted on the map.

4. If the claim is a placer or millsite claim with exterior limits conforming to legal subdivisions of the public survey, provide a legal description of the claim \_\_\_\_\_

Form MCF100a  
Revised July 2014

This form is available from the Arizona Geology Survey and may be reproduced.

AMC448266



2E

Gold Road Mining Corp.  
Suite 450, 1090 West Georgia Street  
Vancouver, BC V6E 3V7 Canada

WHEN RECORDED MAIL TO (MC):

FENNEMORE CRAIG  
2394 EAST CAMELBACK RD  
SUITE 600  
PHOENIX AZ 85016

**FEE# 2017062255**

OFFICIAL RECORDS  
OF MOHAVE COUNTY  
KRISTI BLAIR,  
COUNTY RECORDER



12/26/2017 02:27 PM Fee: \$10.00

PAGE: 1 of 2

**LOCATION NOTICE FOR LODE MINING CLAIM**

Amendment BLM Serial # \_\_\_\_\_

NOTICE IS HEREBY GIVEN that the GRMC 76  
\_\_\_\_\_ lode mining claim has been located  
by Gold Road Mining Corp whose current mailing  
address is Suite 450, 1090 West Georgia Street  
Vancouver, BC V6E 3V7 Canada

RECEIVED  
BLM AZ STATE OFFICE  
2017 DEC 20 A 10:45  
PHOENIX, ARIZONA

BLM  
Date  
Stamp

The general course of this claim is Northwest-Southeast and it is situated in Mohave  
County, Arizona. This claim is 1500 feet in length and 600 feet in width.

20 Total Claim Acreage. This claim runs from the location monument on which this location notice  
is posted on the centerline of the claim approximately 20 feet in a NW direction to the NW  
end line and 1480 feet in a SE direction to the SE end line. This claim is marked by six  
monuments, one at each corner and one at the center of each end line of the claim.

The location monument on which this notice is posted is situated within Section 10, Township 19  
N, Range 20 W, Gila Salt River Base and Meridian, Arizona and this claim encompasses portions  
of the following quarter section(s), section(s), Township(s) and Range(s) \_\_\_\_\_  
SW1/4 Sec.10 T19N R20W

Gila Salt River Base and Meridian, Arizona.

The locality of this claim with reference to some natural object or permanent monument and additional information  
(if any) concerning its locality are as follows: \_\_\_\_\_

NW claim corner is 1,493'E 1,952'N from SW corner of Sec.10 T19N R20W

\_\_\_\_\_ The above information is shown on the attached map.

DATED AND POSTED on the ground this 28th day of November, 20 17.

LOCATOR(s)  AGENT

Print Name(s) Stuart Burgess

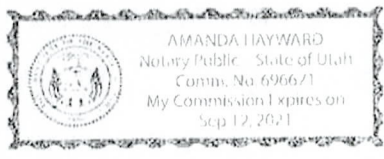
Signature(s) \_\_\_\_\_

State of Utah  
County of Salt Lake

This instrument was signed and sworn to before me  
on 12/2/17 by Stuart Burgess  
(Name of signer)

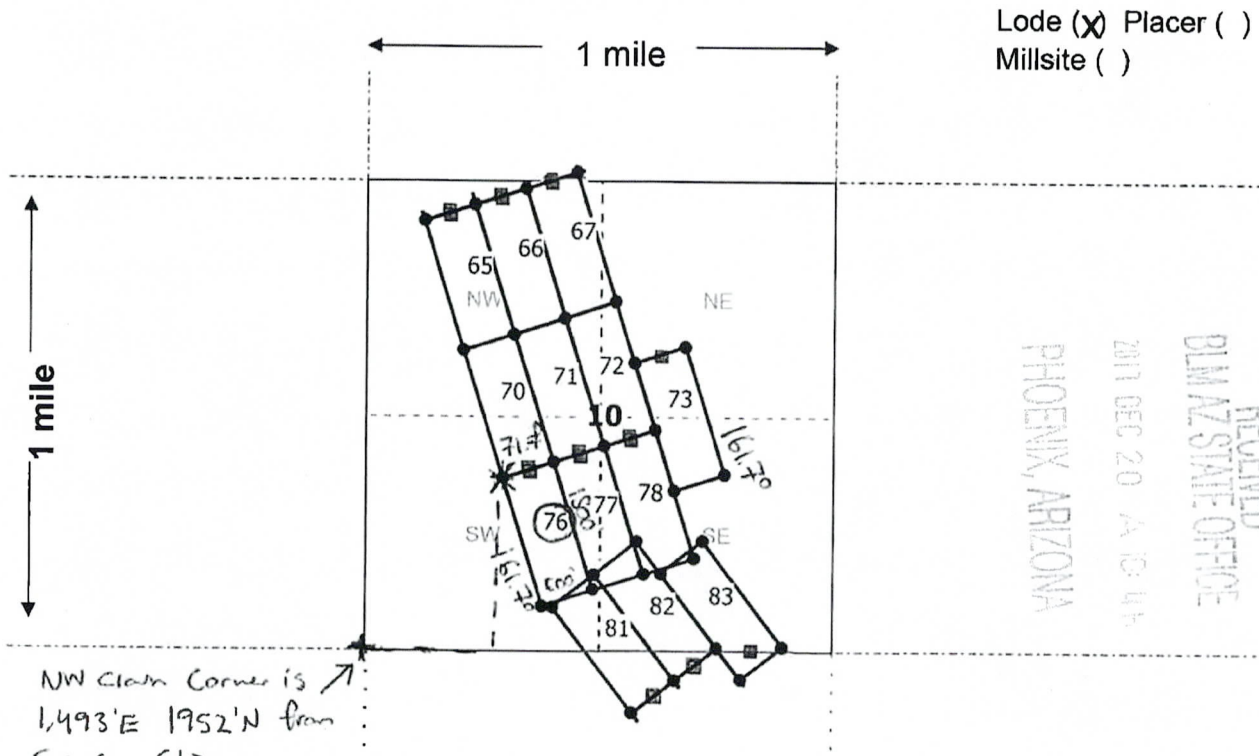
AKH  
(Notary Signature)

[Affix seal/stamp to the left or below]



AMC448267

**MINING CLAIM MAP**



Scale: 1" = 2000 feet



1. The above map depicts the GRMC 76 mining claim, which is located in Section (s) 10, Township 19 N, Range 20 W, Gila and Salt River Base and Meridian, Mohave County, Arizona. Total claim acreage is 20
2. The type of corner and location monuments used are as follows: 2"X2"X50" wooden posts with metal tags or rock monument
3. The bearings and distances in degrees and feet between claim corners and to a public land survey monument are as depicted on the map.
4. If the claim is a placer or millsite claim with exterior limits conforming to legal subdivisions of the public survey, provide a legal description of the claim \_\_\_\_\_

Form MCF100a  
Revised July 2014

This form is available from the **Arizona Geology Survey** and may be reproduced.

AMC 448267

Gold Road Mining Corp.  
Suite 450, 1090 West Georgia Street  
Vancouver, BC V6E 3V7 Canada

**LOCATION NOTICE FOR LODE MINING CLAIM**

Amendment BLM Serial # \_\_\_\_\_

NOTICE IS HEREBY GIVEN that the GRMC 76

\_\_\_\_\_ lode mining claim has been located  
by Gold Road Mining Corp. whose current mailing  
address is Suite 450, 1090 West Georgia Street  
Vancouver, BC V6E 3V7 Canada

RECEIVED  
BLM AZ STATE OFFICE  
2017 DEC 20 A 10:45  
PHOENIX ARIZONA  
BLM  
Date  
Stamp

The general course of this claim is Northwest-Southeast and it is situated in Mohave  
County, Arizona. This claim is 1500 feet in length and 600 feet in width.

20 Total Claim Acreage. This claim runs from the location monument on which this location notice  
is posted on the centerline of the claim approximately 20 feet in a NW direction to the NW  
end line and 1480 feet in a SE direction to the SE end line. This claim is marked by six  
monuments, one at each corner and one at the center of each end line of the claim.

The location monument on which this notice is posted is situated within Section 10, Township 19  
N, Range 20 W, Gila Salt River Base and Meridian, Arizona and this claim encompasses portions  
of the following quarter section(s), section(s), Township(s) and Range(s) \_\_\_\_\_  
SW1/4 Sec.10 T19N R20W

Gila Salt River Base and Meridian, Arizona.

The locality of this claim with reference to some natural object or permanent monument and additional information  
(if any) concerning its locality are as follows: \_\_\_\_\_

NW claim corner is 1,493'E 1,952'N from SW corner of Sec.10 T19N R20W

\_\_\_\_\_ The above information is shown on the attached map.

DATED AND POSTED on the ground this 28th day of November, 2017.

LOCATOR(s)  AGENT

Print Name(s) Stuart Burgess

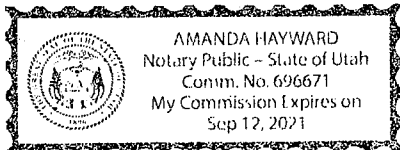
Signature(s) \_\_\_\_\_

State of Utah  
County of Salt Lake

This instrument was signed and sworn to before me  
on 12/2/17 by Stuart Burgess  
(Name of signer)

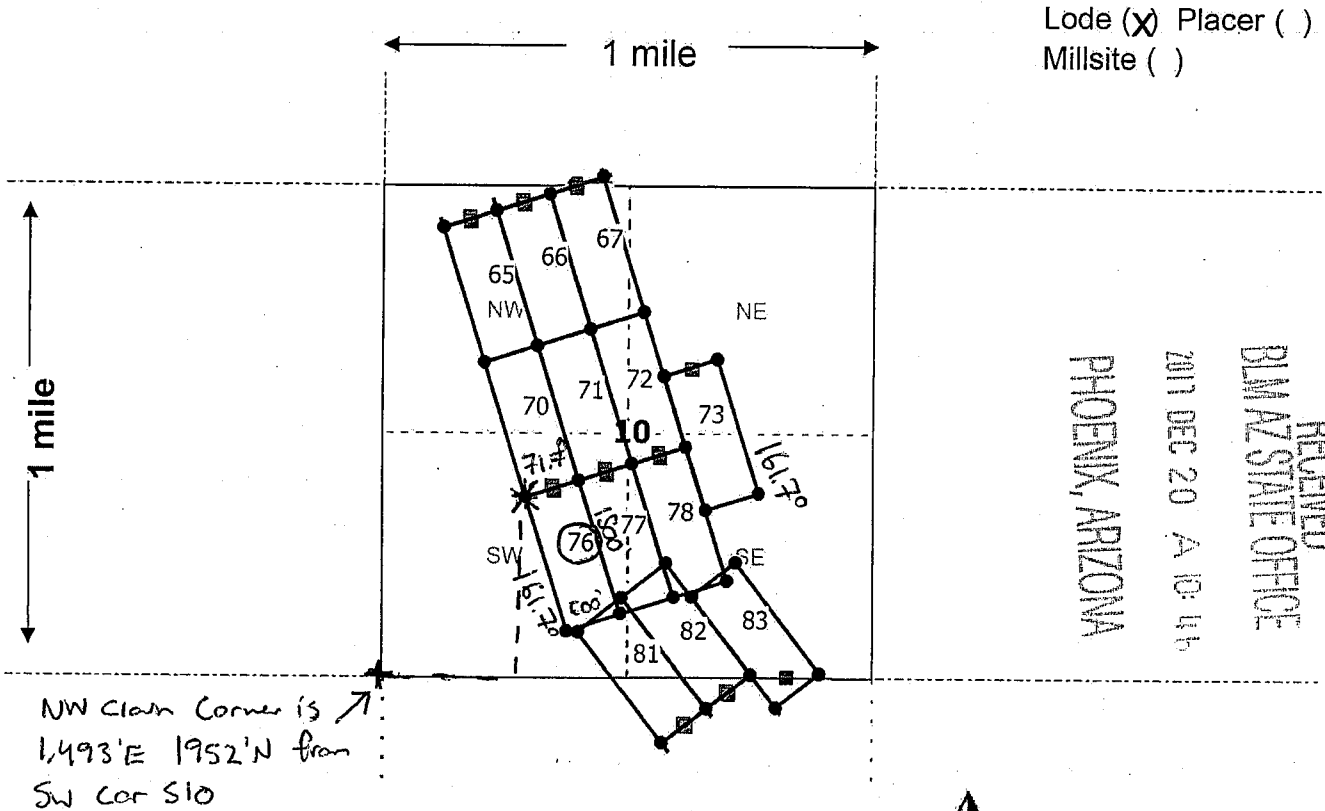
AMH

(Notary Signature)  
[Affix seal/stamp to the left or below]



AMC448267

**MINING CLAIM MAP**



1. The above map depicts the GRMC 76 mining claim, which is located in Section (s) 10, Township 19 N, Range 20 W, Gila and Salt River Base and Meridian, Mohave County, Arizona. Total claim acreage is 20
2. The type of corner and location monuments used are as follows: 2"X2"X50" wooden posts with metal tags or rock monument
3. The bearings and distances in degrees and feet between claim corners and to a public land survey monument are as depicted on the map.
4. If the claim is a placer or millsite claim with exterior limits conforming to legal subdivisions of the public survey, provide a legal description of the claim \_\_\_\_\_

Form MCF100a  
Revised July 2014

This form is available from the Arizona Geology Survey and may be reproduced.

AMC448267

2E

Gold Road Mining Corp.  
Suite 450, 1090 West Georgia Street  
Vancouver, BC V6E 3V7 Canada

FEE# 2017062256

OFFICIAL RECORDS  
OF MOHAVE COUNTY  
KRISTI BLAIR,  
COUNTY RECORDER



12/26/2017 02:27 PM Fee: \$10.00

PAGE: 1 of 2

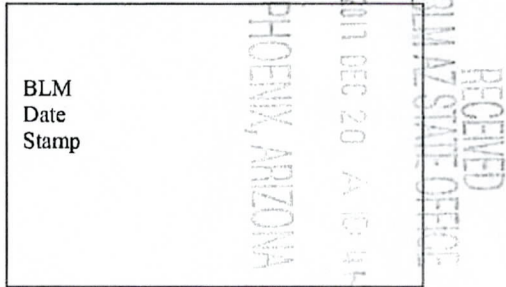
WHEN RECORDED MAIL TO (MC):

FENNEMORE CRAIG  
2394 EAST CAMELBACK RD  
SUITE 600  
PHOENIX AZ 85016

LOCATION NOTICE FOR LODE MINING CLAIM

Amendment BLM Serial # \_\_\_\_\_

NOTICE IS HEREBY GIVEN that the GRMC 77  
\_\_\_\_\_ lode mining claim has been located  
by Gold Road Mining Corp whose current mailing  
address is Suite 450, 1090 West Georgia Street  
Vancouver, BC V6E 3V7 Canada



The general course of this claim is Northwest-Southeast and it is situated in Mohave  
County, Arizona. This claim is 1500 feet in length and 600 feet in width.

20 Total Claim Acreage. This claim runs from the location monument on which this location notice  
is posted on the centerline of the claim approximately 20 feet in a NW direction to the NW  
end line and 1480 feet in a SE direction to the SE end line. This claim is marked by six  
monuments, one at each corner and one at the center of each end line of the claim.

The location monument on which this notice is posted is situated within Section 10, Township 19  
N, Range 20 W, Gila Salt River Base and Meridian, Arizona and this claim encompasses portions  
of the following quarter section(s), section(s), Township(s) and Range(s) \_\_\_\_\_  
SW1/4, SE1/4 Sec.10 T19N R20W

Gila Salt River Base and Meridian, Arizona.

The locality of this claim with reference to some natural object or permanent monument and additional information  
(if any) concerning its locality are as follows: \_\_\_\_\_

NW claim corner is 2,066'E 2,127'N from SW corner of Sec.10 T19N R20W

\_\_\_\_\_ The above information is shown on the attached map.

DATED AND POSTED on the ground this 28th day of November, 2017.

LOCATOR(s)  AGENT

Print Name(s) Stuart Burgess

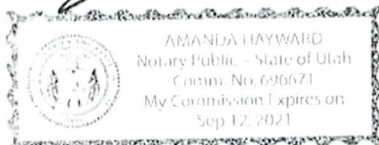
Signature(s) \_\_\_\_\_

State of Utah  
County of Salt Lake

This instrument was signed and sworn to before me  
on 12/2/17 by Stuart Burgess  
(Name of signer)

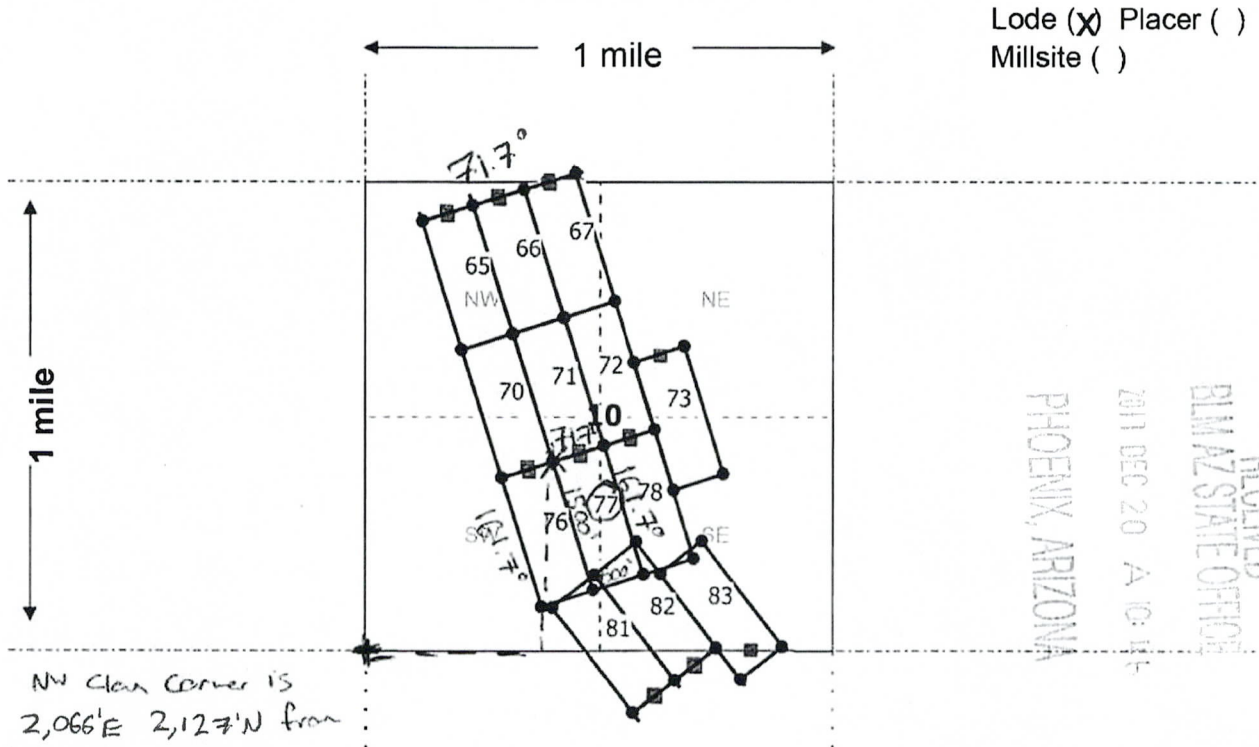
[Signature]  
(Notary Signature)

[Affix seal/stamp to the left or below]



AMC448268

**MINING CLAIM MAP**



NW Claim Corner is  
2,066'E 2,127'N from  
SW Cor S10

Scale: 1" = 2000 feet



RECEIVED  
BLM AZ STATE OFFICE  
PHOENIX, ARIZONA  
2011 DEC 20 A 10:14

AMC 448268

1. The above map depicts the GRMC 77 mining claim, which is located in Section (s) 10, Township 19 N, Range 20 W, Gila and Salt River Base and Meridian, Mohave County, Arizona. Total claim acreage is 20
2. The type of corner and location monuments used are as follows: 2"X2"X50" wooden posts with metal tags or rock monument
3. The bearings and distances in degrees and feet between claim corners and to a public land survey monument are as depicted on the map.
4. If the claim is a placer or millsite claim with exterior limits conforming to legal subdivisions of the public survey, provide a legal description of the claim \_\_\_\_\_

Form MCF100a  
Revised July 2014

This form is available from the **Arizona Geology Survey** and may be reproduced.

Gold Road Mining Corp.  
Suite 450, 1090 West Georgia Street  
Vancouver, BC V6E 3V7 Canada

LOCATION NOTICE FOR LODE MINING CLAIM

Amendment BLM Serial # \_\_\_\_\_

NOTICE IS HEREBY GIVEN that the GRMC 77  
\_\_\_\_\_ lode mining claim has been located  
by Gold Road Mining Corp. whose current mailing  
address is Suite 450, 1090 West Georgia Street  
Vancouver, BC V6E 3V7 Canada

RECEIVED  
BLM AZ STATE OFFICE  
PHOENIX, ARIZONA  
2017 DEC 20 A 10:44  
BLM  
Date  
Stamp

The general course of this claim is Northwest-Southeast and it is situated in Mohave  
County, Arizona. This claim is 1500 feet in length and 600 feet in width.

20 Total Claim Acreage. This claim runs from the location monument on which this location notice  
is posted on the centerline of the claim approximately 20 feet in a NW direction to the NW  
end line and 1480 feet in a SE direction to the SE end line. This claim is marked by six  
monuments, one at each corner and one at the center of each end line of the claim.

The location monument on which this notice is posted is situated within Section 10, Township 19  
N, Range 20 W, Gila Salt River Base and Meridian, Arizona and this claim encompasses portions  
of the following quarter section(s), section(s), Township(s) and Range(s) \_\_\_\_\_  
SW1/4, SE1/4 Sec.10 T19N R20W

Gila Salt River Base and Meridian, Arizona.

The locality of this claim with reference to some natural object or permanent monument and additional information  
(if any) concerning its locality are as follows: \_\_\_\_\_

NW claim corner is 2,066'E 2,127'N from SW corner of Sec.10 T19N R20W

\_\_\_\_\_ The above information is shown on the attached map.

DATED AND POSTED on the ground this 28th day of November, 20 17.

LOCATOR(s)  AGENT

Print Name(s) Stuart Burgess

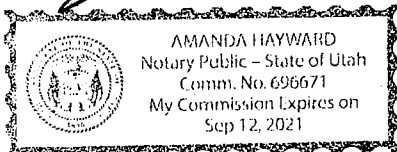
Signature(s) \_\_\_\_\_

State of Utah  
County of Salt Lake

This instrument was signed and sworn to before me  
on 12/12/17 by Stuart Burgess  
(Name of signer)

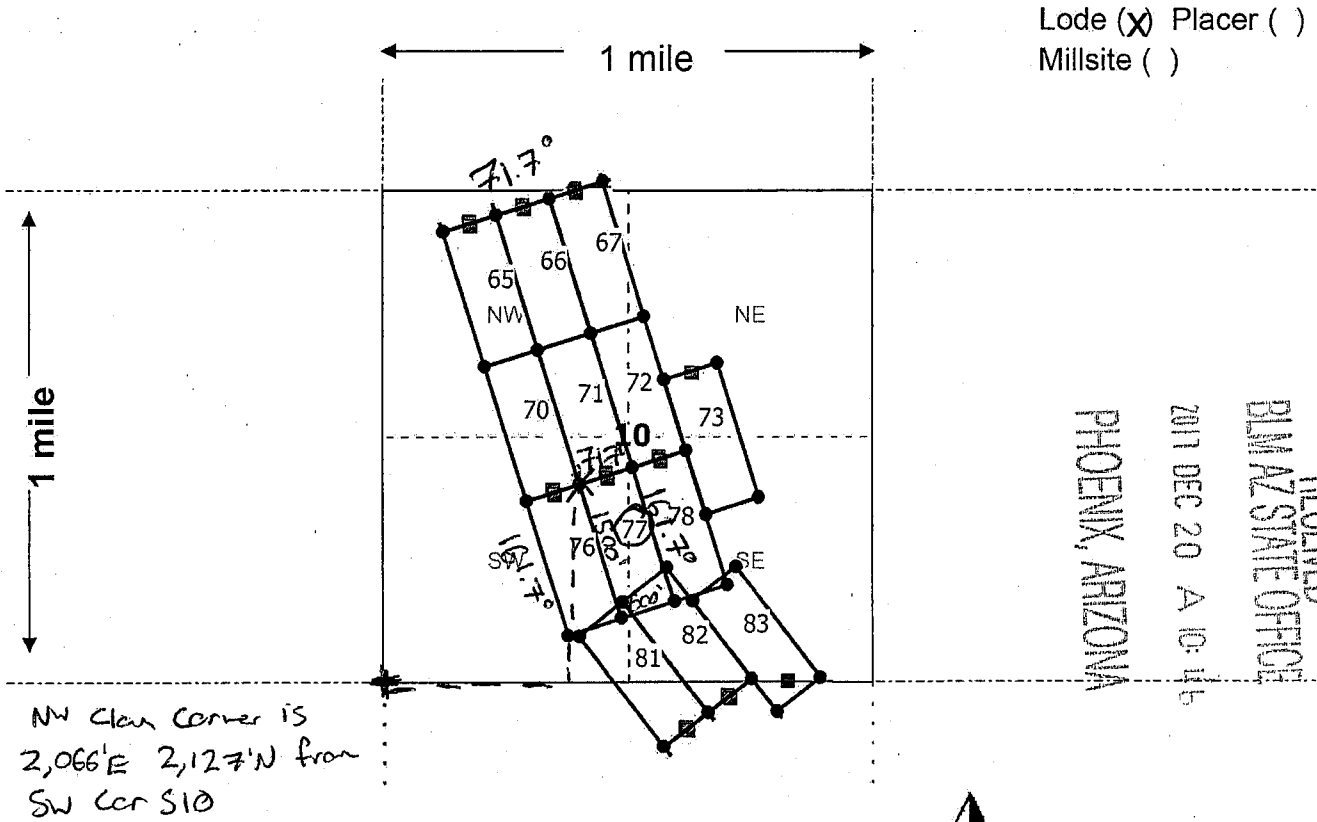
[Signature]  
(Notary Signature)

[Affix seal/stamp to the left or below]



AMC448268

**MINING CLAIM MAP**



RECEIVED  
BIA AZ STATE OFFICE  
2011 DEC 20 A 10:16  
PHOENIX ARIZONA

Scale: 1" = 2000 feet



- The above map depicts the GRMC 77 mining claim, which is located in Section (s) 10, Township 19 N, Range 20 W, Gila and Salt River Base and Meridian, Mohave County, Arizona. Total claim acreage is 20
- The type of corner and location monuments used are as follows: 2"X2"X50" wooden posts with metal tags or rock monument
- The bearings and distances in degrees and feet between claim corners and to a public land survey monument are as depicted on the map.
- If the claim is a placer or millsite claim with exterior limits conforming to legal subdivisions of the public survey, provide a legal description of the claim \_\_\_\_\_

AMC448268

Form MCF100a  
Revised July 2014

This form is available from the Arizona Geology Survey and may be reproduced.



2E

Gold Road Mining Corp.  
Suite 450, 1090 West Georgia Street  
Vancouver, BC V6E 3V7 Canada

WHEN RECORDED MAIL TO (MC):

FENNEMORE CRAIG  
2394 EAST CAMELBACK RD  
SUITE 600  
PHOENIX AZ 85016

**FEE# 2017062257**

OFFICIAL RECORDS  
OF MOHAVE COUNTY  
KRISTI BLAIR,  
COUNTY RECORDER



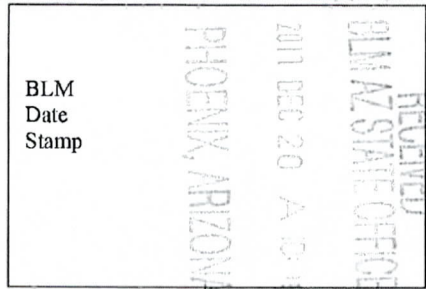
12/26/2017 02:27 PM Fee: \$10.00

PAGE: 1 of 2

**LOCATION NOTICE FOR LODE MINING CLAIM**

Amendment BLM Serial # \_\_\_\_\_

NOTICE IS HEREBY GIVEN that the GRMC 78  
\_\_\_\_\_ lode mining claim has been located  
by Gold Road Mining Corp. whose current mailing  
address is Suite 450, 1090 West Georgia Street  
Vancouver, BC V6E 3V7 Canada



The general course of this claim is Northwest-Southeast and it is situated in Mohave  
County, Arizona. This claim is 1500 feet in length and 600 feet in width.

20 Total Claim Acreage. This claim runs from the location monument on which this location notice  
is posted on the centerline of the claim approximately 20 feet in a NW direction to the NW  
end line and 1480 feet in a SE direction to the SE end line. This claim is marked by six  
monuments, one at each corner and one at the center of each end line of the claim.

The location monument on which this notice is posted is situated within Section 10, Township 19  
N, Range 20 W, Gila Salt River Base and Meridian, Arizona and this claim encompasses portions  
of the following quarter section(s), section(s), Township(s) and Range(s) \_\_\_\_\_  
SE1/4 Sec.10 T19N R20W

Gila Salt River Base and Meridian, Arizona.

The locality of this claim with reference to some natural object or permanent monument and additional information  
(if any) concerning its locality are as follows: \_\_\_\_\_

NW claim corner is 2,639'E 2,301'N from SW corner of Sec.10 T19N R20W

\_\_\_\_\_ The above information is shown on the attached map.

DATED AND POSTED on the ground this 28th day of November, 2017.

LOCATOR(s)  AGENT

Print Name(s) Stuart Burgess

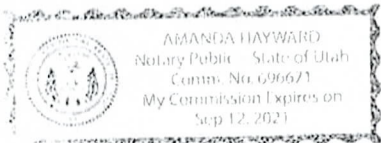
Signature(s) \_\_\_\_\_

State of Utah  
County of Salt Lake

This instrument was signed and sworn to before me  
on 12/2/17 by Stuart Burgess  
(Name of signer)

\_\_\_\_\_  
(Notary Signature)

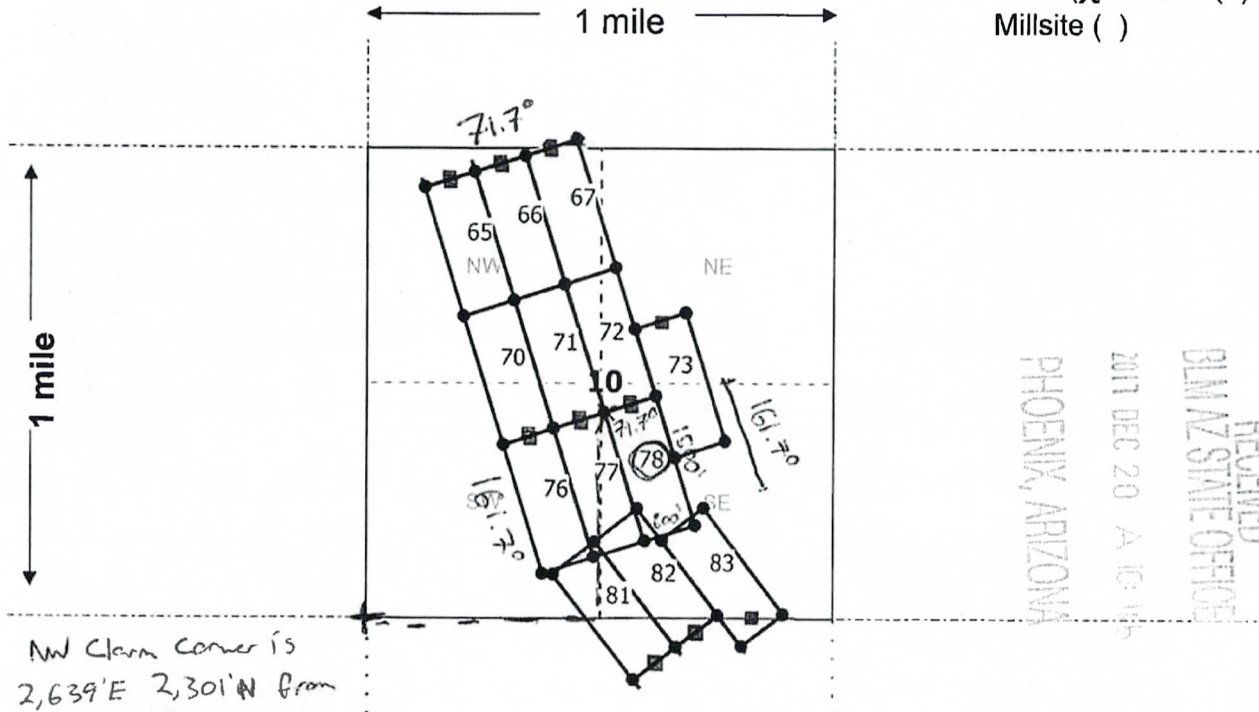
[Affix seal/stamp to the left or below]



AMC448269

**MINING CLAIM MAP**

Lode (x) Placer ( )  
Millsite ( )



NW Claim Corner is  
2,639'E 2,301'N from  
SW cor S10

RECEIVED  
BIMAZ STATE OFFICE  
2017 DEC 20 A 10:15  
PHOENIX, ARIZONA

Scale: 1" = 2000 feet



1. The above map depicts the GRMC 78 mining claim, which is located in Section (s) 10, Township 19 N, Range 20 W, Gila and Salt River Base and Meridian, Mohave County, Arizona. Total claim acreage is 20
2. The type of corner and location monuments used are as follows: 2"X2"X50" wooden posts with metal tags or rock monument
3. The bearings and distances in degrees and feet between claim corners and to a public land survey monument are as depicted on the map.
4. If the claim is a placer or millsite claim with exterior limits conforming to legal subdivisions of the public survey, provide a legal description of the claim \_\_\_\_\_

AMC 448269

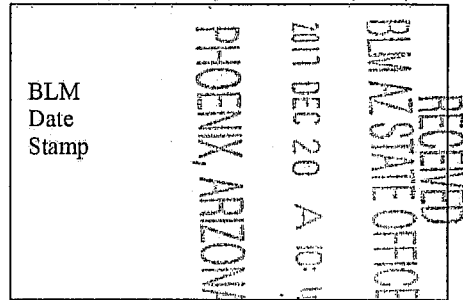
Form MCF100a  
Revised July 2014

Gold Road Mining Corp.  
Suite 450, 1090 West Georgia Street  
Vancouver, BC V6E 3V7 Canada

**LOCATION NOTICE FOR LODE MINING CLAIM**

Amendment BLM Serial # \_\_\_\_\_

NOTICE IS HEREBY GIVEN that the GRMC 78  
\_\_\_\_\_ lode mining claim has been located  
by Gold Road Mining Corp. whose current mailing  
address is Suite 450, 1090 West Georgia Street  
Vancouver, BC V6E 3V7 Canada



The general course of this claim is Northwest-Southeast and it is situated in Mohave  
County, Arizona. This claim is 1500 feet in length and 600 feet in width.

20 Total Claim Acreage. This claim runs from the location monument on which this location notice  
is posted on the centerline of the claim approximately 20 feet in a NW direction to the NW  
end line and 1480 feet in a SE direction to the SE end line. This claim is marked by six  
monuments, one at each corner and one at the center of each end line of the claim.

The location monument on which this notice is posted is situated within Section 10, Township 19  
N, Range 20 W, Gila Salt River Base and Meridian, Arizona and this claim encompasses portions  
of the following quarter section(s), section(s), Township(s) and Range(s) \_\_\_\_\_  
SE1/4 Sec.10 T19N R20W

Gila Salt River Base and Meridian, Arizona.

The locality of this claim with reference to some natural object or permanent monument and additional information  
(if any) concerning its locality are as follows: \_\_\_\_\_

NW claim corner is 2,639'E 2,301'N from SW corner of Sec. 10 T19N R20W

\_\_\_\_\_ The above information is shown on the attached map.

DATED AND POSTED on the ground this 28th day of November, 20 17.

LOCATOR(s)  AGENT

Print Name(s) Stuart Burgess

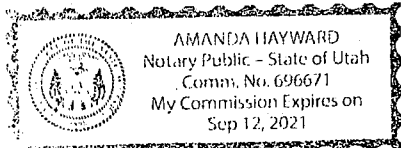
Signature(s) \_\_\_\_\_

State of Utah  
County of Salt Lake

This instrument was signed and sworn to before me  
on 12/2/17 by Stuart Burgess  
(Name of signer)

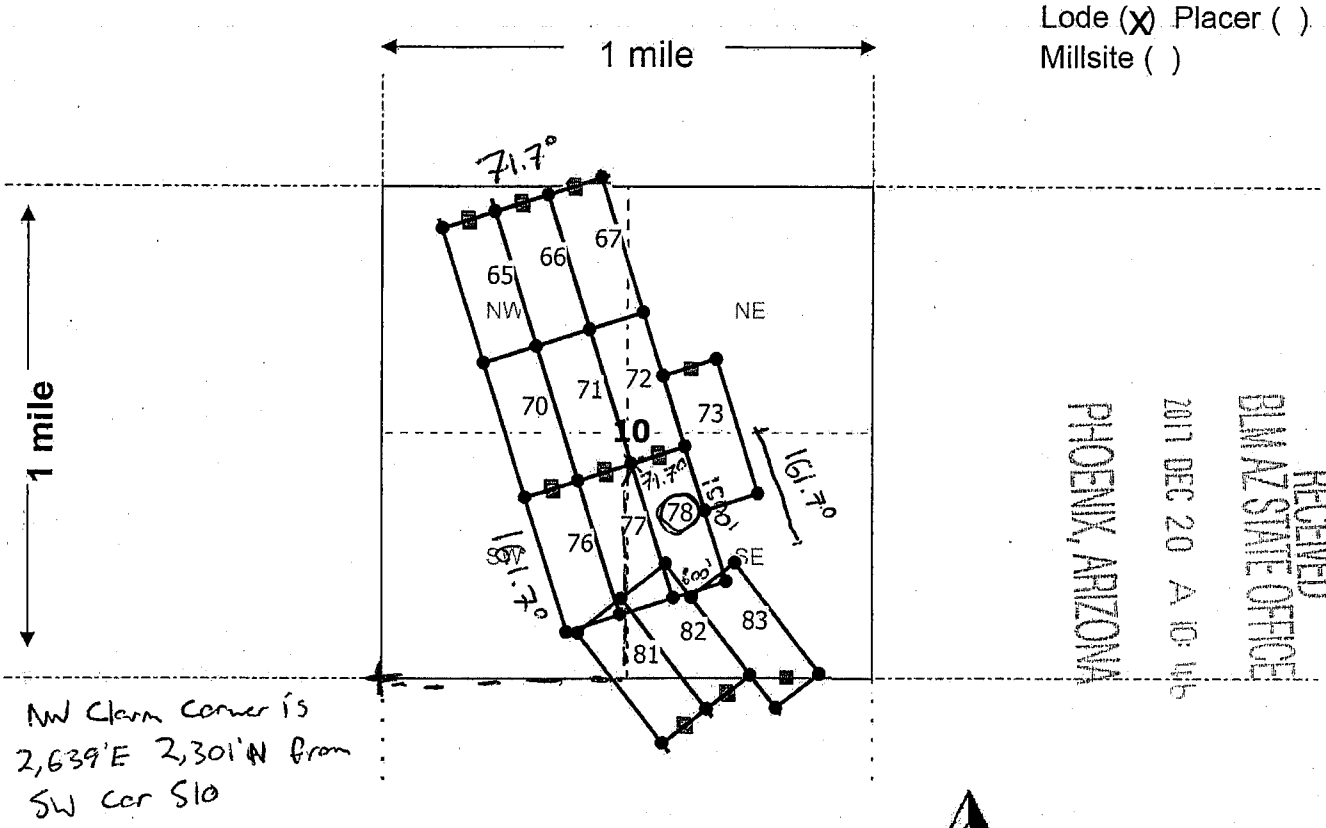
\_\_\_\_\_  
(Notary Signature)

[Affix seal/stamp to the left or below]



AMC448269

**MINING CLAIM MAP**



Scale: 1" = 2000 feet



1. The above map depicts the GRMC 78 mining claim, which is located in Section (s) 10, Township 19 N, Range 20 W, Gila and Salt River Base and Meridian, Mohave County, Arizona. Total claim acreage is 20

2. The type of corner and location monuments used are as follows: 2"X2"X50" wooden posts with metal tags or rock monument

3. The bearings and distances in degrees and feet between claim corners and to a public land survey monument are as depicted on the map.

4. If the claim is a placer or millsite claim with exterior limits conforming to legal subdivisions of the public survey, provide a legal description of the claim \_\_\_\_\_

Form MCF100a  
Revised July 2014

This form is available from the Arizona Geology Survey and may be reproduced.

AMC 448269

2E

Gold Road Mining Corp.  
Suite 450, 1090 West Georgia Street  
Vancouver, BC V6E 3V7 Canada

**FEE# 2017062258**

OFFICIAL RECORDS  
OF MOHAVE COUNTY  
KRISTI BLAIR,  
COUNTY RECORDER



12/26/2017 02:27 PM Fee: \$10.00

PAGE: 1 of 2

WHEN RECORDED MAIL TO (MC):

FENNEMORE CRAIG  
2394 EAST CAMELBACK RD  
SUITE 600  
PHOENIX AZ 85016

**LOCATION NOTICE FOR LODE MINING CLAIM**

Amendment BLM Serial # \_\_\_\_\_  
NOTICE IS HEREBY GIVEN that the GRMC 79  
\_\_\_\_\_ lode mining claim has been located  
by Gold Road Mining Corp. whose current mailing  
address is Suite 450, 1090 West Georgia Street  
Vancouver, BC V6E 3V7 Canada

RECEIVED  
BLM AZ STATE OFFICE  
PHOENIX, ARIZONA  
2017 DEC 20 A 10 45  
BLM  
Date  
Stamp

The general course of this claim is Northwest-Southeast and it is situated in Mohave  
County, Arizona. This claim is 1500 feet in length and 600 feet in width.

20 Total Claim Acreage. This claim runs from the location monument on which this location notice  
is posted on the centerline of the claim approximately 20 feet in a SE direction to the SE  
end line and 1480 feet in a NW direction to the NW end line. This claim is marked by six  
monuments, one at each corner and one at the center of each end line of the claim.

The location monument on which this notice is posted is situated within Section 15, Township 19  
N, Range 20 W, Gila Salt River Base and Meridian, Arizona and this claim encompasses portions  
of the following quarter section(s), section(s), Township(s) and Range(s) \_\_\_\_\_  
NW1/4 Sec.15, NE1/4 Sec.16 T19N R20W

Gila Salt River Base and Meridian, Arizona.

The locality of this claim with reference to some natural object or permanent monument and additional information  
(if any) concerning its locality are as follows: \_\_\_\_\_

NW claim corner is 381'W 4,635'N from SE corner of Sec.16 T19N R20W

\_\_\_\_\_ The above information is shown on the attached map.

DATED AND POSTED on the ground this 28<sup>th</sup> day of November, 20 17.

LOCATOR(s)  AGENT

Print Name(s) Stuart Burgess

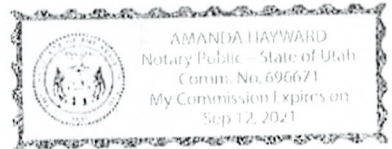
Signature(s) \_\_\_\_\_

State of Utah  
County of Salt Lake

This instrument was signed and sworn to before me  
on 12/2/17 by Stuart Burgess  
(Name of signer)

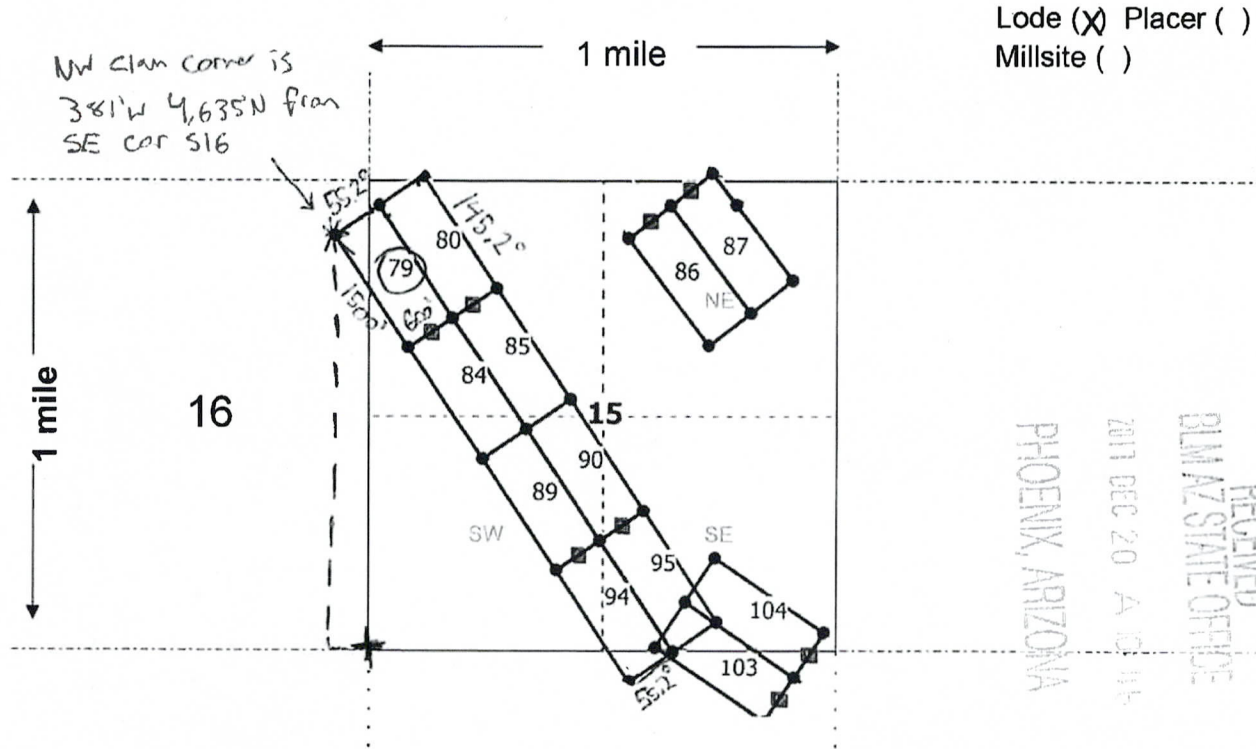
AKW  
(Notary Signature)

[Affix seal/stamp to the left or below]



AMC448270

**MINING CLAIM MAP**



1. The above map depicts the GRMC 79 mining claim, which is located in Section (s) 15, 16, Township 19 N, Range 20 W, Gila and Salt River Base and Meridian, Mohave County, Arizona. Total claim acreage is 20

2. The type of corner and location monuments used are as follows: 2"X2"X50" wooden posts with metal tags or rock monument

3. The bearings and distances in degrees and feet between claim corners and to a public land survey monument are as depicted on the map.

4. If the claim is a placer or millsite claim with exterior limits conforming to legal subdivisions of the public survey, provide a legal description of the claim \_\_\_\_\_

Form MCF100a  
Revised July 2014

This form is available from the Arizona Geology Survey and may be reproduced.

AMC 448270

Gold Road Mining Corp.  
Suite 450, 1090 West Georgia Street  
Vancouver, BC V6E 3V7 Canada

LOCATION NOTICE FOR LODE MINING CLAIM

Amendment BLM Serial # \_\_\_\_\_

NOTICE IS HEREBY GIVEN that the GRMC 79  
\_\_\_\_\_ lode mining claim has been located  
by Gold Road Mining Corp. whose current mailing  
address is Suite 450, 1090 West Georgia Street  
Vancouver, BC V6E 3V7 Canada

BLM  
Date  
Stamp  
2017 DEC 20 A 10:46  
PHOENIX, ARIZONA  
RECEIVED  
BLM AZ STATE OFFICE

The general course of this claim is Northwest-Southeast and it is situated in Mohave  
County, Arizona. This claim is 1500 feet in length and 600 feet in width.

20 Total Claim Acreage. This claim runs from the location monument on which this location notice  
is posted on the centerline of the claim approximately 20 feet in a SE direction to the SE  
end line and 1480 feet in a NW direction to the NW end line. This claim is marked by six  
monuments, one at each corner and one at the center of each end line of the claim.

The location monument on which this notice is posted is situated within Section 15, Township 19  
N, Range 20 W, Gila Salt River Base and Meridian, Arizona and this claim encompasses portions  
of the following quarter section(s), section(s), Township(s) and Range(s) \_\_\_\_\_  
NW1/4 Sec.15, NE1/4 Sec.16 T19N R20W

Gila Salt River Base and Meridian, Arizona.

The locality of this claim with reference to some natural object or permanent monument and additional information  
(if any) concerning its locality are as follows: \_\_\_\_\_

NW claim corner is 381'W 4,635'N from SE corner of Sec.16 T19N R20W

\_\_\_\_\_ The above information is shown on the attached map.

DATED AND POSTED on the ground this 28<sup>th</sup> day of November, 20 17.

LOCATOR(s)  AGENT

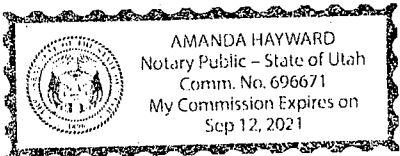
Print Name(s) Stuart Burgess

Signature(s) \_\_\_\_\_

State of Utah  
County of Salt Lake

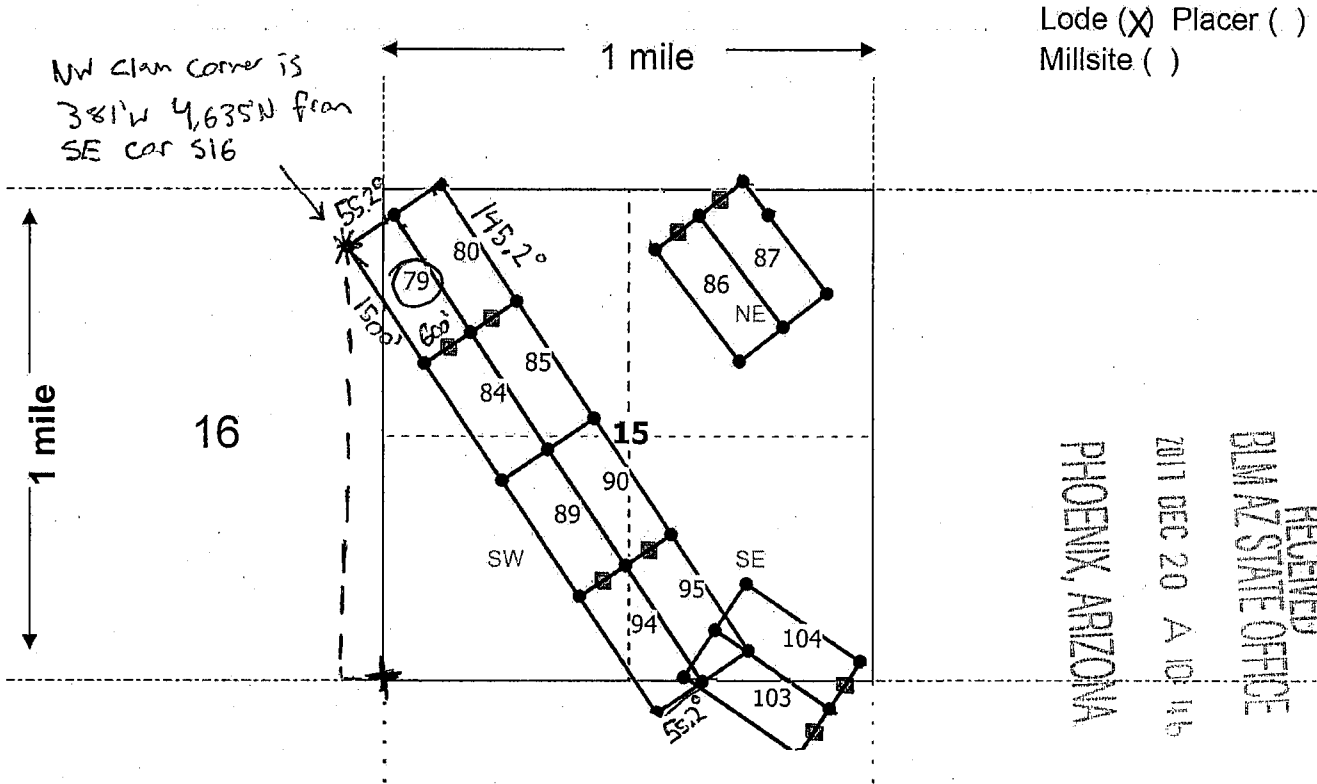
This instrument was signed and sworn to before me  
on 12/2/17 by Stuart Burgess  
(Name of signer)

ANT  
(Notary Signature)  
[Affix seal/stamp to the left or below]



AMC448270

**MINING CLAIM MAP**



Lode (X) Placer (.)  
Millsite (O)

NW claim corner is  
381'W 4,635'N from  
SE cor S16

RECEIVED  
 BLM AZ STATE OFFICE  
 2017 DEC 20 A 10:16  
 PHOENIX, ARIZONA

Scale: 1" = 2000 feet



1. The above map depicts the GRMC 79 mining claim, which is located in Section (s) 15, 16, Township 19 N, Range 20 W, Gila and Salt River Base and Meridian, Mohave County, Arizona. Total claim acreage is 20

2. The type of corner and location monuments used are as follows: 2"X2"X50" wooden posts with metal tags or rock monument

3. The bearings and distances in degrees and feet between claim corners and to a public land survey monument are as depicted on the map.

4. If the claim is a placer or millsite claim with exterior limits conforming to legal subdivisions of the public survey, provide a legal description of the claim \_\_\_\_\_

Form MCF100a  
Revised July 2014

This form is available from the Arizona Geology Survey and may be reproduced.

AMC 448270



2E

Gold Road Mining Corp.  
Suite 450, 1090 West Georgia Street  
Vancouver, BC V6E 3V7 Canada

WHEN RECORDED MAIL TO (MC):

FENNEMORE CRAIG  
2394 EAST CAMELBACK RD  
SUITE 600  
PHOENIX AZ 85016

**FEE# 2017062259**

OFFICIAL RECORDS  
OF MOHAVE COUNTY  
KRISTI BLAIR,  
COUNTY RECORDER



12/26/2017 02:27 PM Fee: \$10.00

PAGE: 1 of 2

**LOCATION NOTICE FOR LODE MINING CLAIM**

Amendment BLM Serial # \_\_\_\_\_

NOTICE IS HEREBY GIVEN that the GRMC 80  
\_\_\_\_\_ lode mining claim has been located  
by Gold Road Mining Corp. whose current mailing  
address is Suite 450, 1090 West Georgia Street  
Vancouver, BC V6E 3V7 Canada

RECEIVED  
DEPT. OF STATE OFFICE  
PHOENIX, ARIZONA  
2017 DEC 20 A 10:05

BLM  
Date  
Stamp

The general course of this claim is Northwest-Southeast and it is situated in Mohave  
County, Arizona. This claim is 1500 feet in length and 600 feet in width.

20 Total Claim Acreage. This claim runs from the location monument on which this location notice  
is posted on the centerline of the claim approximately 20 feet in a SE direction to the SE  
end line and 1480 feet in a NW direction to the NW end line. This claim is marked by six  
monuments, one at each corner and one at the center of each end line of the claim.

The location monument on which this notice is posted is situated within Section 15, Township 19  
N, Range 20 W, Gila Salt River Base and Meridian, Arizona and this claim encompasses portions  
of the following quarter section(s), section(s), Township(s) and Range(s) \_\_\_\_\_  
NW1/4 Sec.15 T19N R20W

Gila Salt River Base and Meridian, Arizona.

The locality of this claim with reference to some natural object or permanent monument and additional information  
(if any) concerning its locality are as follows: \_\_\_\_\_

NW claim corner is 117'E 308'S from NW corner of Sec.15 T19N R20W

\_\_\_\_\_ The above information is shown on the attached map.

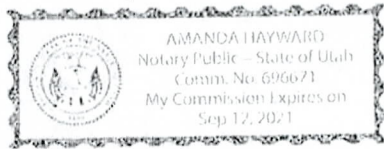
DATED AND POSTED on the ground this 26th day of November, 2017.

LOCATOR(s)  AGENT  
Print Name(s) Stuart Burgess  
Signature(s) \_\_\_\_\_

State of Utah  
County of Salt Lake

This instrument was signed and sworn to before me  
on 12/2/17 by Stuart Burgess  
(Name of signer)

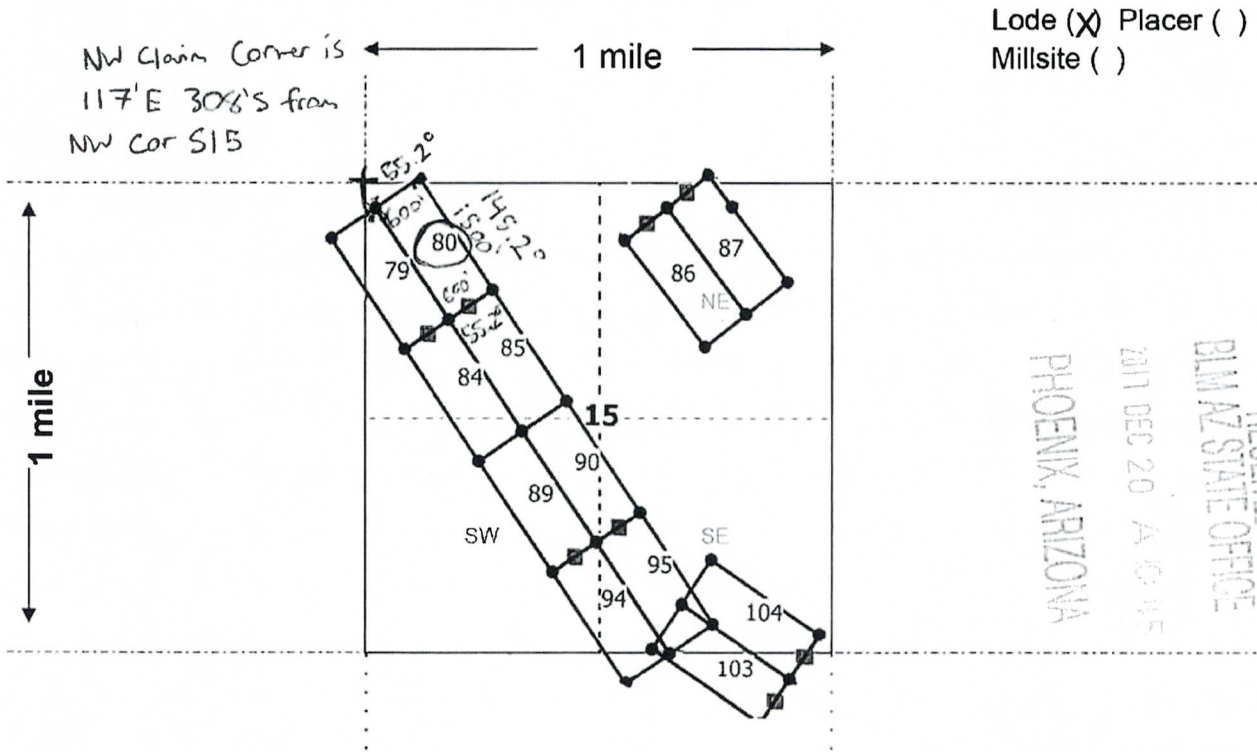
AKH  
(Notary Signature)



[Affix seal/stamp to the left or below]

AMC448271

**MINING CLAIM MAP**



1. The above map depicts the GRMC 80 mining claim, which is located in Section (s) 15, Township 19 N, Range 20 W, Gila and Salt River Base and Meridian, Mohave County, Arizona. Total claim acreage is 20

2. The type of corner and location monuments used are as follows: 2"X2"X50" wooden posts with metal tags or rock monument

3. The bearings and distances in degrees and feet between claim corners and to a public land survey monument are as depicted on the map.

4. If the claim is a placer or millsite claim with exterior limits conforming to legal subdivisions of the public survey, provide a legal description of the claim \_\_\_\_\_

**Form MCF100a**  
Revised July 2014

This form is available from the **Arizona Geology Survey** and may be reproduced.

AMC448211

Gold Road Mining Corp.  
Suite 450, 1090 West Georgia Street  
Vancouver, BC V6E 3V7 Canada

LOCATION NOTICE FOR LODE MINING CLAIM

Amendment BLM Serial # \_\_\_\_\_

NOTICE IS HEREBY GIVEN that the GRMC 80  
\_\_\_\_\_ lode mining claim has been located  
by Gold Road Mining Corp. whose current mailing  
address is Suite 450, 1090 West Georgia Street  
Vancouver, BC V6E 3V7 Canada

RECEIVED  
BLM AZ STATE OFFICE  
2017 DEC 20 A 10:15  
PHOENIX, ARIZONA  
BLM  
Date  
Stamp

The general course of this claim is Northwest-Southeast and it is situated in Mohave  
County, Arizona. This claim is 1500 feet in length and 600 feet in width.

20 Total Claim Acreage. This claim runs from the location monument on which this location notice  
is posted on the centerline of the claim approximately 20 feet in a SE direction to the SE  
end line and 1480 feet in a NW direction to the NW end line. This claim is marked by six  
monuments, one at each corner and one at the center of each end line of the claim.

The location monument on which this notice is posted is situated within Section 15, Township 19  
N, Range 20 W, Gila Salt River Base and Meridian, Arizona and this claim encompasses portions  
of the following quarter section(s), section(s), Township(s) and Range(s) \_\_\_\_\_  
NW1/4 Sec.15 T19N R20W

Gila Salt River Base and Meridian, Arizona.

The locality of this claim with reference to some natural object or permanent monument and additional information  
(if any) concerning its locality are as follows: \_\_\_\_\_

NW claim corner is 117'E 308'S from NW corner of Sec.15 T19N R20W

\_\_\_\_\_ The above information is shown on the attached map.

DATED AND POSTED on the ground this 26th day of November, 2017.

LOCATOR(s)  AGENT

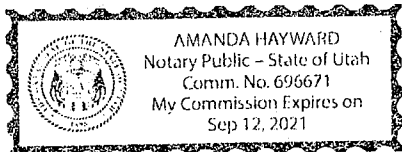
Print Name(s) Stuart Burgess

Signature(s) \_\_\_\_\_

State of Utah  
County of Salt Lake

This instrument was signed and sworn to before me  
on 12/12/17 by Stuart Burgess  
(Name of signer)

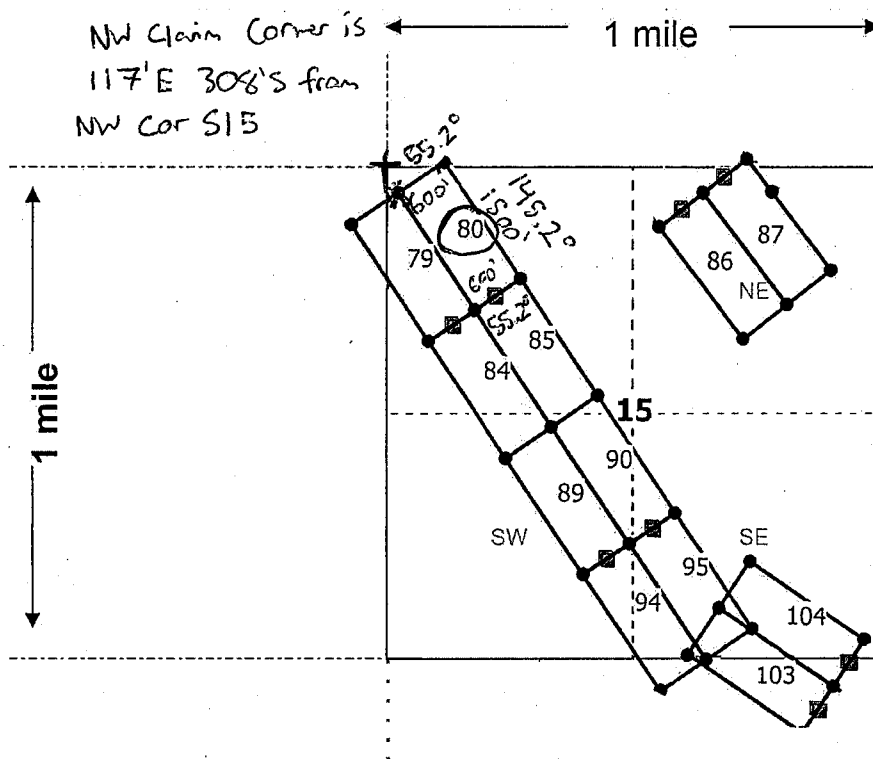
AHAY  
(Notary Signature)  
[Affix seal/stamp to the left or below]



AMC4482711

**MINING CLAIM MAP**

Lode (X) Placer ( )  
Millsite ( )



RECEIVED  
 PHOENIX, ARIZONA  
 2017 DEC 20 A 10:15  
 PIMA STATE OFFICE

AMC 448271

Scale: 1" = 2000 feet

- The above map depicts the GRMC 80 mining claim, which is located in Section (s) 15, Township 19 N, Range 20 W, Gila and Salt River Base and Meridian, Mohave County, Arizona. Total claim acreage is 20.
- The type of corner and location monuments used are as follows: 2"X2"X50" wooden posts with metal tags or rock monument
- The bearings and distances in degrees and feet between claim corners and to a public land survey monument are as depicted on the map.
- If the claim is a placer or millsite claim with exterior limits conforming to legal subdivisions of the public survey, provide a legal description of the claim \_\_\_\_\_

Form MCF100a  
Revised July 2014

2E

Gold Road Mining Corp.  
Suite 450, 1090 West Georgia Street  
Vancouver, BC V6E 3V7 Canada

WHEN RECORDED MAIL TO (MC):

FENNEMORE CRAIG  
2394 EAST CAMELBACK RD  
SUITE 600  
PHOENIX AZ. 85016

**FEE# 2017062260**

OFFICIAL RECORDS  
OF MOHAVE COUNTY  
KRISTI BLAIR,  
COUNTY RECORDER



12/26/2017 02:27 PM Fee: \$10.00

PAGE: 1 of 2

**LOCATION NOTICE FOR LODE MINING CLAIM**

Amendment BLM Serial # \_\_\_\_\_

NOTICE IS HEREBY GIVEN that the GRMC 81  
\_\_\_\_\_ lode mining claim has been located  
by Gold Road Mining Corp. whose current mailing  
address is Suite 450, 1090 West Georgia Street  
Vancouver, BC V6E 3V7 Canada



The general course of this claim is Northwest-Southeast and it is situated in Mohave  
County, Arizona. This claim is 1500 feet in length and 600 feet in width.

20 Total Claim Acreage. This claim runs from the location monument on which this location notice  
is posted on the centerline of the claim approximately 20 feet in a SE direction to the SE  
end line and 1480 feet in a NW direction to the NW end line. This claim is marked by six  
monuments, one at each corner and one at the center of each end line of the claim.

The location monument on which this notice is posted is situated within Section 15, Township 19  
N, Range 20 W, Gila Salt River Base and Meridian, Arizona and this claim encompasses portions  
of the following quarter section(s), section(s), Township(s) and Range(s) \_\_\_\_\_  
SW1/4, SE1/4 Sec.10 NW1/4, NE1/4 Sec.15 T19N R20W

Gila Salt River Base and Meridian, Arizona.

The locality of this claim with reference to some natural object or permanent monument and additional information  
(if any) concerning its locality are as follows: \_\_\_\_\_

NW claim corner is 2,038'E 502'N from SW corner of Sec.10 T19N R20W

\_\_\_\_\_ The above information is shown on the attached map.

DATED AND POSTED on the ground this 29<sup>th</sup> day of November, 2017.

LOCATOR(s)  AGENT

Print Name(s) Stuart Burgess

Signature(s) \_\_\_\_\_

State of Utah Salt Lake  
County of \_\_\_\_\_

This instrument was signed and sworn to before me  
on 12/2/17 by Stuart Burgess  
(Name of signer)

AKH  
(Notary Signature)

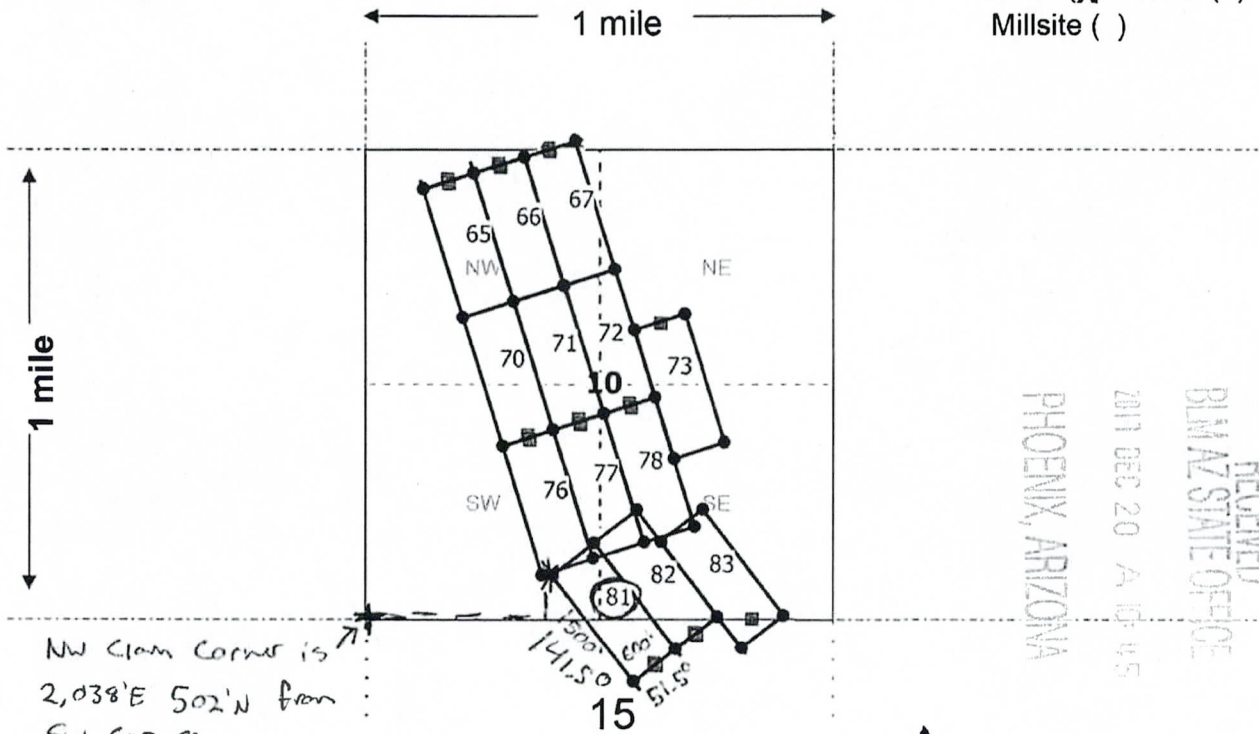
[Affix seal/stamp to the left or below]



AMC448272

**MINING CLAIM MAP**

Lode (X) Placer ( )  
Millsite ( )



RECEIVED  
 BLM AZ STATE OFFICE  
 2011 DEC 20 A 10:45  
 PHOENIX, ARIZONA

NW claim corner is  
2,038'E 502'N from  
SW cor S10

Scale: 1" = 2000 feet



1. The above map depicts the GRMC 81 mining claim, which is located in Section (s) 10,15, Township 19 N, Range 20 W, Gila and Salt River Base and Meridian, Mohave County, Arizona. Total claim acreage is 20

2. The type of corner and location monuments used are as follows: 2"X2"X50" wooden posts with metal tags or rock monument

3. The bearings and distances in degrees and feet between claim corners and to a public land survey monument are as depicted on the map.

4. If the claim is a placer or millsite claim with exterior limits conforming to legal subdivisions of the public survey, provide a legal description of the claim \_\_\_\_\_

AMC448272

Form MCF100a  
Revised July 2014

Gold Road Mining Corp.  
Suite 450, 1090 West Georgia Street  
Vancouver, BC V6E 3V7 Canada

**LOCATION NOTICE FOR LODE MINING CLAIM**

Amendment BLM Serial # \_\_\_\_\_

NOTICE IS HEREBY GIVEN that the GRMC 81  
\_\_\_\_\_ lode mining claim has been located  
by Gold Road Mining Corp. whose current mailing  
address is Suite 450, 1090 West Georgia Street  
Vancouver, BC V6E 3V7 Canada

RECEIVED  
BLM AZ STATE OFFICE  
2011 DEC 20 A 10:15  
PHOENIX, ARIZONA  
BLM  
Date  
Stamp

The general course of this claim is Northwest-Southeast and it is situated in Mohave  
County, Arizona. This claim is 1500 feet in length and 600 feet in width.

20 Total Claim Acreage. This claim runs from the location monument on which this location notice  
is posted on the centerline of the claim approximately 20 feet in a SE direction to the SE  
end line and 1480 feet in a NW direction to the NW end line. This claim is marked by six  
monuments, one at each corner and one at the center of each end line of the claim.

The location monument on which this notice is posted is situated within Section 15, Township 19  
N, Range 20 W, Gila Salt River Base and Meridian, Arizona and this claim encompasses portions  
of the following quarter section(s), section(s), Township(s) and Range(s) \_\_\_\_\_  
SW1/4, SE1/4 Sec.10 NW1/4, NE1/4 Sec.15 T19N R20W

Gila Salt River Base and Meridian, Arizona.

The locality of this claim with reference to some natural object or permanent monument and additional information  
(if any) concerning its locality are as follows: \_\_\_\_\_

NW claim corner is 2,038'E 502'N from SW corner of Sec.10 T19N R20W

\_\_\_\_\_ The above information is shown on the attached map.

DATED AND POSTED on the ground this 29<sup>th</sup> day of November, 20 17.

LOCATOR(s)  AGENT

Print Name(s) Stuart Burgess

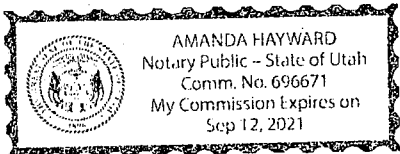
Signature(s) \_\_\_\_\_

State of Utah  
County of Salt Lake

This instrument was signed and sworn to before me  
on 12/2/17 by Stuart Burgess  
(Name of signer)

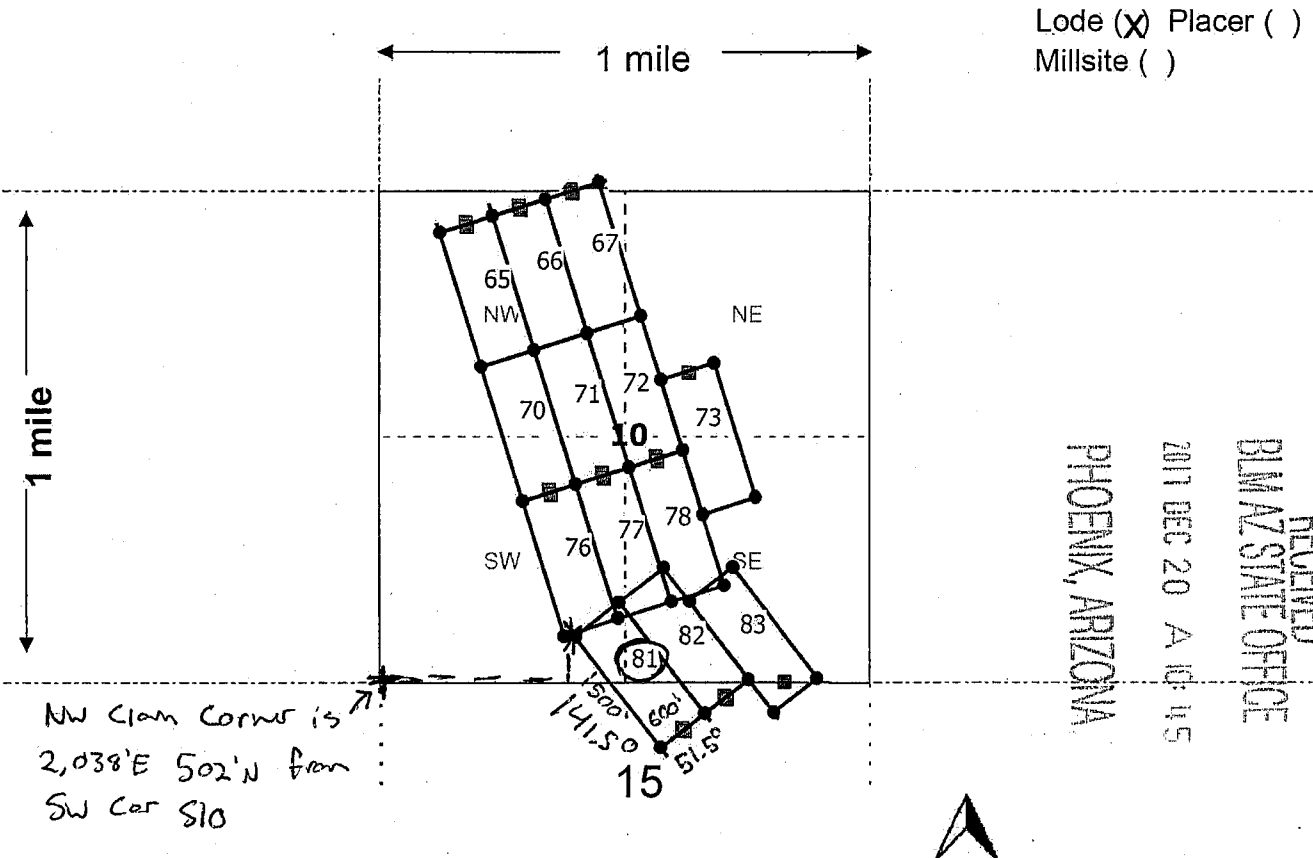
AMH  
(Notary Signature)

[Affix seal/stamp to the left or below]



AMC448272

**MINING CLAIM MAP**



Scale: 1" = 2000 feet

1. The above map depicts the GRMC 81 mining claim, which is located in Section (s) 10, 15, Township 19 N, Range 20 W, Gila and Salt River Base and Meridian, Mohave County, Arizona. Total claim acreage is 20

2. The type of corner and location monuments used are as follows: 2"X2"X50" wooden posts with metal tags or rock monument

3. The bearings and distances in degrees and feet between claim corners and to a public land survey monument are as depicted on the map.

4. If the claim is a placer or millsite claim with exterior limits conforming to legal subdivisions of the public survey, provide a legal description of the claim \_\_\_\_\_

Form MCF100a  
Revised July 2014

This form is available from the Arizona Geology Survey and may be reproduced.



2E

Gold Road Mining Corp.  
Suite 450, 1090 West Georgia Street  
Vancouver, BC V6E 3V7 Canada

WHEN RECORDED MAIL TO (MC):

FENNEMORE CRAIG  
2394 EAST CAMELBACK RD  
SUITE 600  
PHOENIX AZ 85016

**FEE# 2017062261**

OFFICIAL RECORDS  
OF MOHAVE COUNTY  
KRISTI BLAIR,  
COUNTY RECORDER



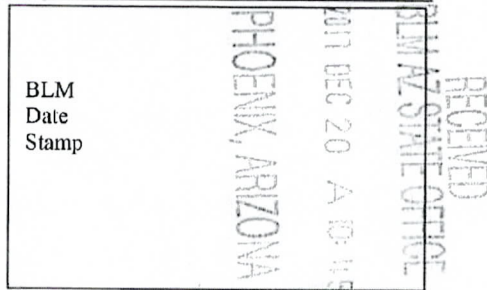
12/26/2017 02:27 PM Fee: \$10.00

PAGE: 1 of 2

**LOCATION NOTICE FOR LODE MINING CLAIM**

Amendment BLM Serial # \_\_\_\_\_

NOTICE IS HEREBY GIVEN that the GRMC 82  
\_\_\_\_\_ lode mining claim has been located  
by Gold Road Mining Corp. whose current mailing  
address is Suite 450, 1090 West Georgia Street  
Vancouver, BC V6E 3V7 Canada



The general course of this claim is Northwest-Southeast and it is situated in Mohave  
County, Arizona. This claim is 1500 feet in length and 600 feet in width.

20 Total Claim Acreage. This claim runs from the location monument on which this location notice  
is posted on the centerline of the claim approximately 20 feet in a SE direction to the SE  
end line and 1480 feet in a NW direction to the NW end line. This claim is marked by six  
monuments, one at each corner and one at the center of each end line of the claim.

The location monument on which this notice is posted is situated within Section 15, Township 19  
N, Range 20 W, Gila Salt River Base and Meridian, Arizona and this claim encompasses portions  
of the following quarter section(s), section(s), Township(s) and Range(s) \_\_\_\_\_  
SW1/4, SE1/4 Sec.10, NE1/4 Sec.15 T19N R20W

Gila Salt River Base and Meridian, Arizona.

The locality of this claim with reference to some natural object or permanent monument and additional information  
(if any) concerning its locality are as follows: \_\_\_\_\_

NW claim corner is 2.511'E 863'N from SW corner of Sec.10 T19N R20W

\_\_\_\_\_ The above information is shown on the attached map.

DATED AND POSTED on the ground this 29th day of November, 20 17.

LOCATOR(s)  AGENT

Print Name(s) Stuart Burgess

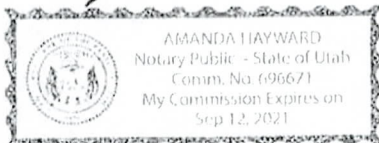
Signature(s) \_\_\_\_\_

State of Utah  
County of Salt Lake

This instrument was signed and sworn to before me  
on 12/2/17 by Stuart Burgess  
(Name of signer)

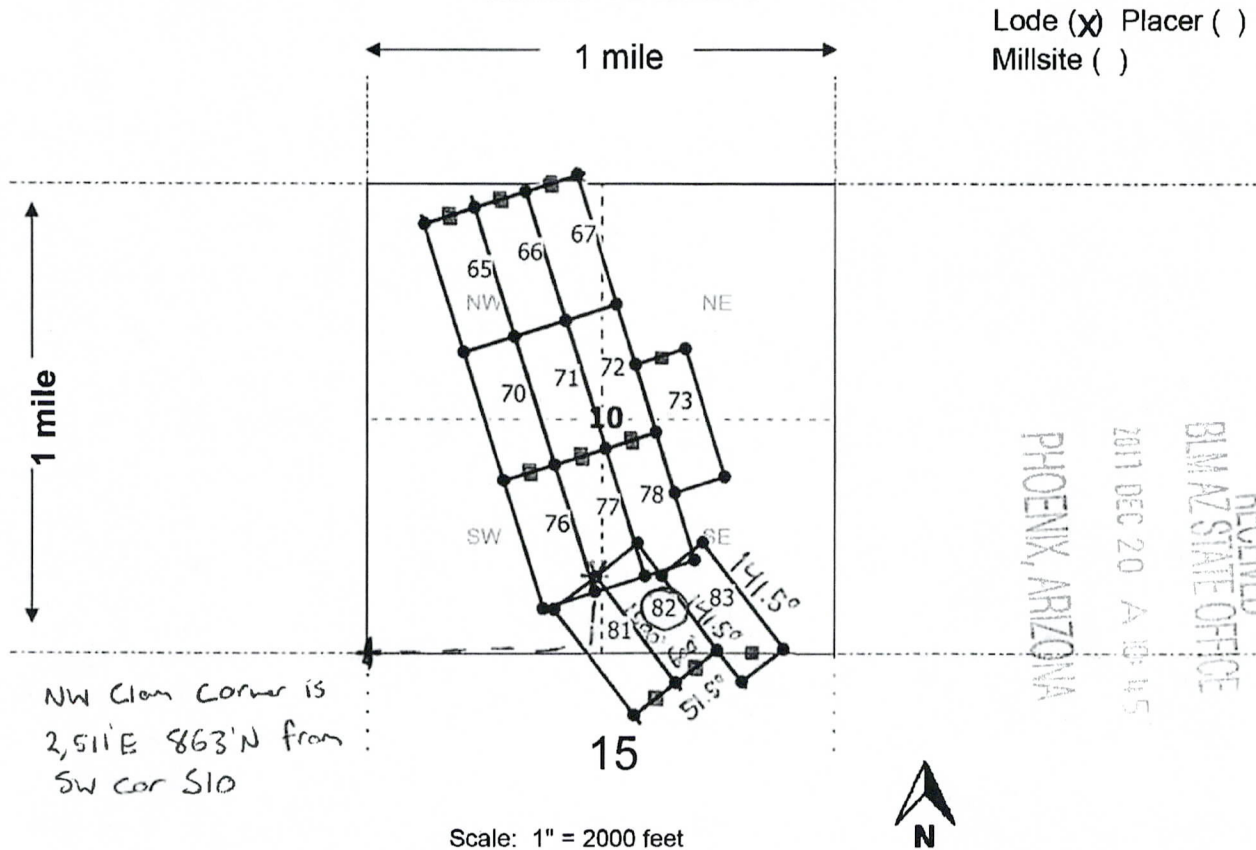
AKH  
(Notary Signature)

[Affix seal/stamp to the left or below]



AMC448273

**MINING CLAIM MAP**



1. The above map depicts the GRMC 82 mining claim, which is located in Section (s) 10, 15, Township 19 N, Range 20 W, Gila and Salt River Base and Meridian, Mohave County, Arizona. Total claim acreage is 20
2. The type of corner and location monuments used are as follows: 2"X2"X50" wooden posts with metal tags or rock monument
3. The bearings and distances in degrees and feet between claim corners and to a public land survey monument are as depicted on the map.
4. If the claim is a placer or millsite claim with exterior limits conforming to legal subdivisions of the public survey, provide a legal description of the claim \_\_\_\_\_

Form MCF100a  
Revised July 2014

This form is available from the **Arizona Geology Survey** and may be reproduced.

AMC 48213

Gold Road Mining Corp.  
Suite 450, 1090 West Georgia Street  
Vancouver, BC V6E 3V7 Canada

LOCATION NOTICE FOR LODE MINING CLAIM

Amendment BLM Serial # \_\_\_\_\_

NOTICE IS HEREBY GIVEN that the GRMC 82  
\_\_\_\_\_ lode mining claim has been located  
by Gold Road Mining Corp. whose current mailing  
address is Suite 450, 1090 West Georgia Street  
Vancouver, BC V6E 3V7 Canada

RECEIVED  
BLM STATE OFFICE  
2017 DEC 20 A 10:15  
PHOENIX, ARIZONA  
BLM  
Date  
Stamp

The general course of this claim is Northwest-Southeast and it is situated in Mohave  
County, Arizona. This claim is 1500 feet in length and 600 feet in width.

20 Total Claim Acreage. This claim runs from the location monument on which this location notice  
is posted on the centerline of the claim approximately 20 feet in a SE direction to the SE  
end line and 1480 feet in a NW direction to the NW end line. This claim is marked by six  
monuments, one at each corner and one at the center of each end line of the claim.

The location monument on which this notice is posted is situated within Section 15, Township 19  
N, Range 20 W, Gila Salt River Base and Meridian, Arizona and this claim encompasses portions  
of the following quarter section(s), section(s), Township(s) and Range(s) \_\_\_\_\_  
SW1/4, SE1/4 Sec.10, NE1/4 Sec.15 T19N R20W

Gila Salt River Base and Meridian, Arizona.

The locality of this claim with reference to some natural object or permanent monument and additional information  
(if any) concerning its locality are as follows: \_\_\_\_\_

NW claim corner is 2,511'E 863'N from SW corner of Sec.10 T19N R20W

\_\_\_\_\_ The above information is shown on the attached map.

DATED AND POSTED on the ground this 29th day of November, 20 17.

LOCATOR(s)  AGENT

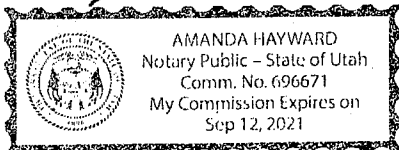
Print Name(s) Stuart Burgess

Signature(s) \_\_\_\_\_

State of Utah  
County of Salt Lake

This instrument was signed and sworn to before me  
on 12/2/17 by Stuart Burgess  
(Name of signer)

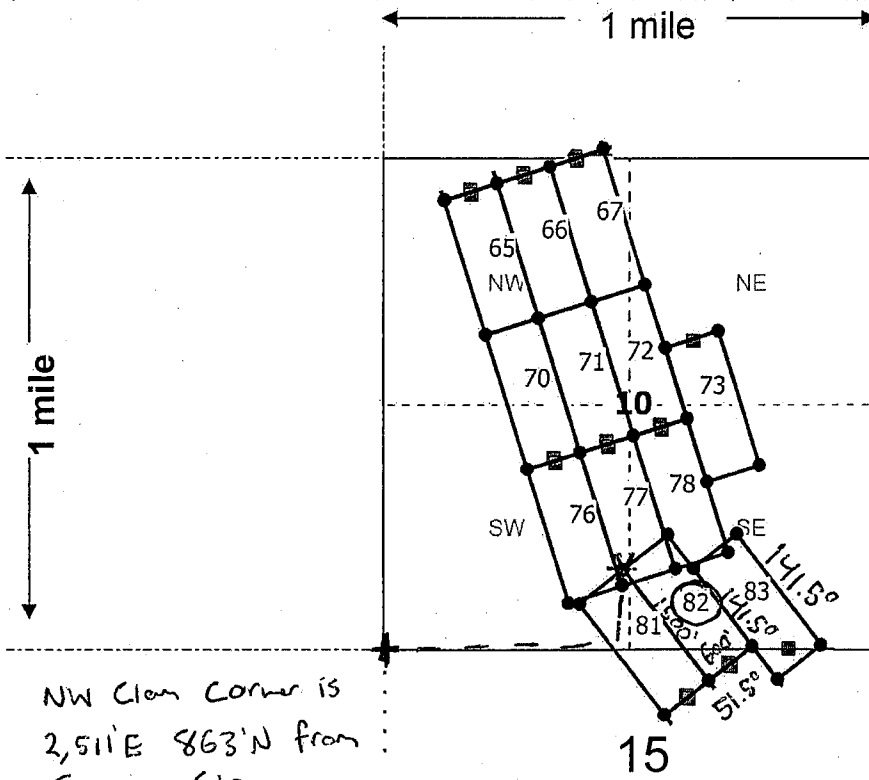
AW  
(Notary Signature)  
[Affix seal/stamp to the left or below]



AMC 448273

**MINING CLAIM MAP**

Lode (x) Placer ( )  
Millsite ( . )



RECEIVED  
 BLM AZ STATE OFFICE  
 2017 DEC 20 A 10:45  
 PHOENIX, ARIZONA

NW Claim Corner is  
2,511'E 863'N from  
SW cor S10

Scale: 1" = 2000 feet

- The above map depicts the GRMC 82 mining claim, which is located in Section (s) 10,15, Township 19 N, Range 20 W, Gila and Salt River Base and Meridian, Mohave County, Arizona. Total claim acreage is 20
- The type of corner and location monuments used are as follows: 2"X2"X50" wooden posts with metal tags or rock monument
- The bearings and distances in degrees and feet between claim corners and to a public land survey monument are as depicted on the map.
- If the claim is a placer or millsite claim with exterior limits conforming to legal subdivisions of the public survey, provide a legal description of the claim \_\_\_\_\_

AMC 448213

Form MCF100a  
Revised July 2014

2E

Gold Road Mining Corp.  
Suite 450, 1090 West Georgia Street  
Vancouver, BC V6E 3V7 Canada

FEE# 2017062262

OFFICIAL RECORDS  
OF MOHAVE COUNTY  
KRISTI BLAIR,  
COUNTY RECORDER



12/26/2017 02:27 PM Fee: \$10.00

PAGE: 1 of 2

WHEN RECORDED MAIL TO (MC):

FENNEMORE CRAIG  
2394 EAST CAMELBACK RD  
SUITE 600  
PHOENIX AZ 85016

LOCATION NOTICE FOR LODE MINING CLAIM

Amendment BLM Serial # \_\_\_\_\_

NOTICE IS HEREBY GIVEN that the GRMC 83  
\_\_\_\_\_ lode mining claim has been located  
by Gold Road Mining Corp. whose current mailing  
address is Suite 450, 1090 West Georgia Street  
Vancouver, BC V6E 3V7 Canada

RECEIVED  
BLM AZ STATE OFFICE  
2017 DEC 20 A 10:45  
PHOENIX, ARIZONA  
BLM  
Date  
Stamp

The general course of this claim is Northwest-Southeast and it is situated in Mohave  
County, Arizona. This claim is 1500 feet in length and 600 feet in width.

20 Total Claim Acreage. This claim runs from the location monument on which this location notice  
is posted on the centerline of the claim approximately 150 feet in a SE direction to the SE  
end line and 1350 feet in a NW direction to the NW end line. This claim is marked by six  
monuments, one at each corner and one at the center of each end line of the claim.

The location monument on which this notice is posted is situated within Section 10, Township 19  
N, Range 20 W, Gila Salt River Base and Meridian, Arizona and this claim encompasses portions  
of the following quarter section(s), section(s), Township(s) and Range(s) \_\_\_\_\_  
SE1/4 Sec. 10 NE1/4 Sec. 15 T19N R20W

Gila Salt River Base and Meridian, Arizona.

The locality of this claim with reference to some natural object or permanent monument and additional information  
(if any) concerning its locality are as follows: \_\_\_\_\_

NW claim corner is 2.023'W 873'N from SE corner of Sec. 10 T19N R20W

\_\_\_\_\_ The above information is shown on the attached map.

DATED AND POSTED on the ground this 29th day of November, 20 17.

LOCATOR(s)  AGENT

Print Name(s) Stuart Burgess

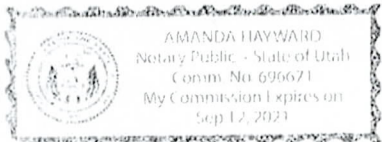
Signature(s) \_\_\_\_\_

State of Utah  
County of Salt Lake

This instrument was signed and sworn to before me  
on 12/2/17 by Stuart Burgess  
(Name of signer)

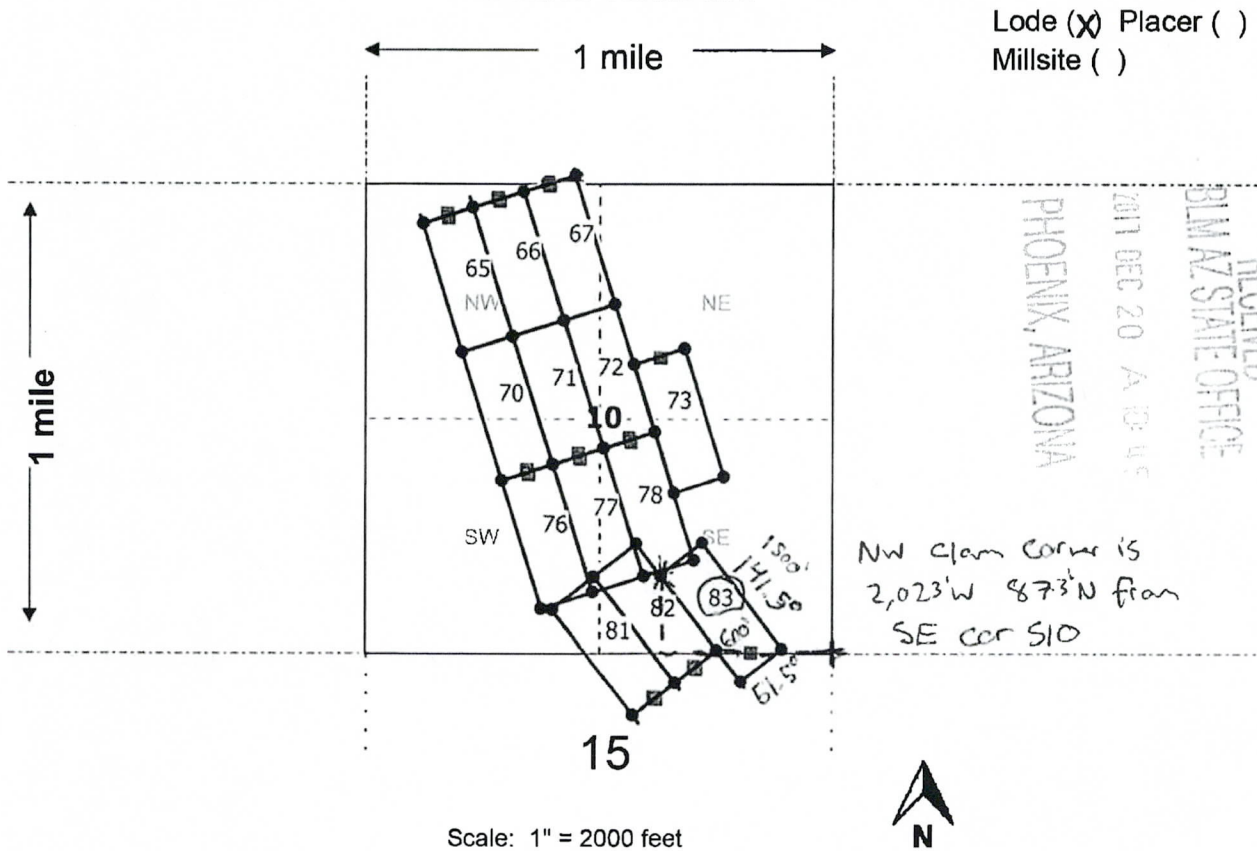
[Signature]  
(Notary Signature)

[Affix seal/stamp to the left or below]



AMC448274

**MINING CLAIM MAP**



Scale: 1" = 2000 feet

1. The above map depicts the GRMC 83 mining claim, which is located in Section (s) 10, 15, Township 19 N, Range 20 W, Gila and Salt River Base and Meridian, Mohave County, Arizona. Total claim acreage is 20

2. The type of corner and location monuments used are as follows: 2"X2"X50" wooden posts with metal tags or rock monument

3. The bearings and distances in degrees and feet between claim corners and to a public land survey monument are as depicted on the map.

4. If the claim is a placer or millsite claim with exterior limits conforming to legal subdivisions of the public survey, provide a legal description of the claim \_\_\_\_\_

Form MCF100a  
Revised July 2014

This form is available from the **Arizona Geology Survey** and may be reproduced.

AMC 4 4 8 2 7 4

Gold Road Mining Corp.  
Suite 450, 1090 West Georgia Street  
Vancouver, BC V6E 3V7 Canada

LOCATION NOTICE FOR LODE MINING CLAIM

Amendment BLM Serial # \_\_\_\_\_

NOTICE IS HEREBY GIVEN that the GRMC 83  
\_\_\_\_\_ lode mining claim has been located  
by Gold Road Mining Corp. whose current mailing  
address is Suite 450, 1090 West Georgia Street  
Vancouver, BC V6E 3V7 Canada

RECEIVED  
BLM AZ STATE OFFICE  
2017 DEC 20 A 10:45  
PHOENIX, ARIZONA  
BLM  
Date  
Stamp

The general course of this claim is Northwest-Southeast and it is situated in Mohave  
County, Arizona. This claim is 1500 feet in length and 600 feet in width.

20 Total Claim Acreage. This claim runs from the location monument on which this location notice  
is posted on the centerline of the claim approximately 150 feet in a SE direction to the SE  
end line and 1350 feet in a NW direction to the NW end line. This claim is marked by six  
monuments, one at each corner and one at the center of each end line of the claim.

The location monument on which this notice is posted is situated within Section 10, Township 19  
N, Range 20 W, Gila Salt River Base and Meridian, Arizona and this claim encompasses portions  
of the following quarter section(s), section(s), Township(s) and Range(s) \_\_\_\_\_

SE1/4 Sec.10 NE1/4 Sec.15 T19N R20W  
Gila Salt River Base and Meridian, Arizona.

The locality of this claim with reference to some natural object or permanent monument and additional information  
(if any) concerning its locality are as follows: \_\_\_\_\_

NW claim corner is 2,023'W 873'N from SE corner of Sec.10 T19N R20W  
\_\_\_\_\_ The above information is shown on the attached map.

DATED AND POSTED on the ground this 29th day of November, 2017.

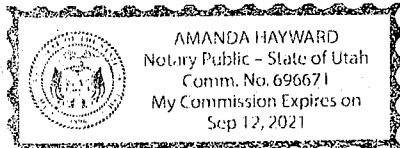
LOCATOR(s)  AGENT

Print Name(s) Stuart Burgess

Signature(s) \_\_\_\_\_

State of Utah  
County of Salt Lake

This instrument was signed and sworn to before me  
on 12/2/17 by Stuart Burgess  
(Name of signer)

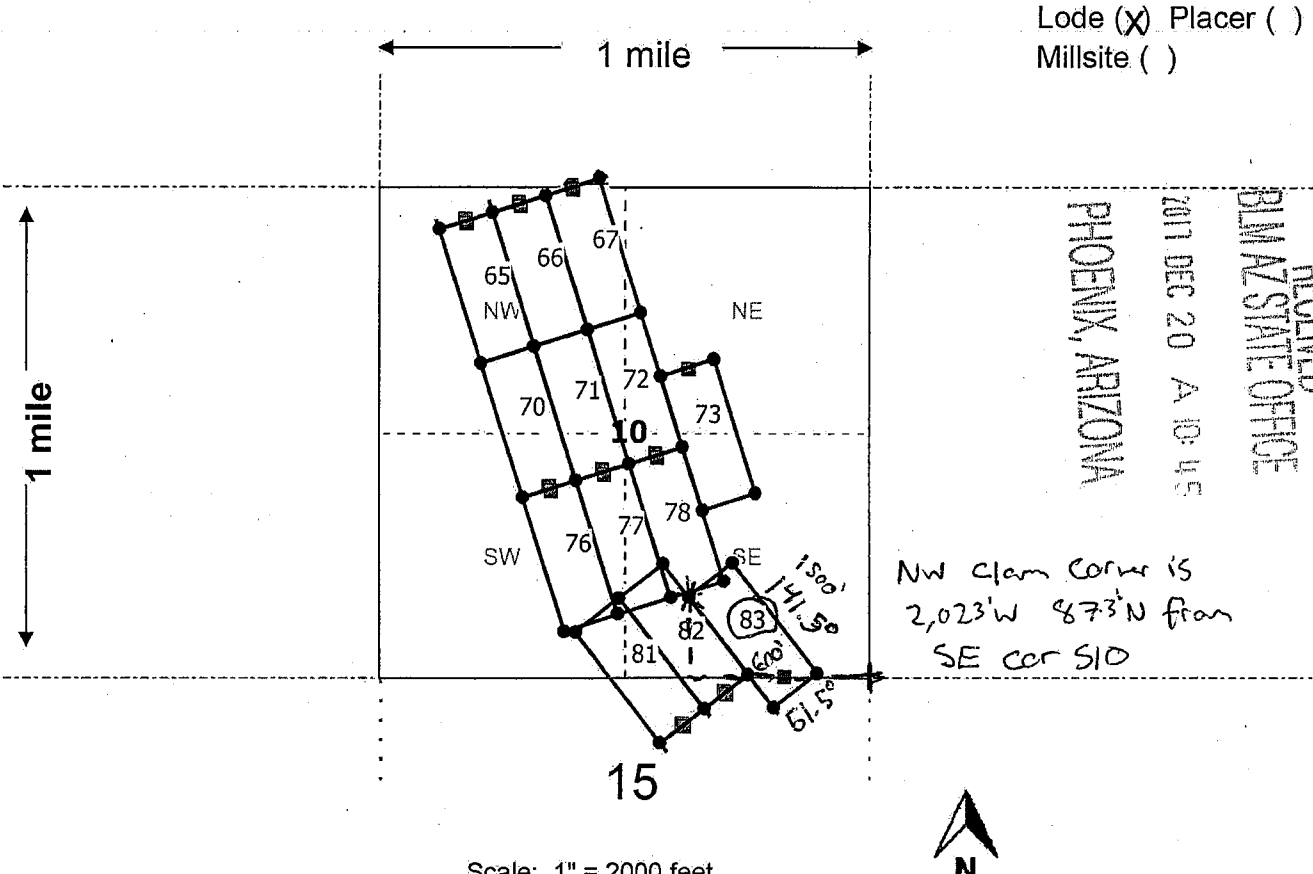


AH  
(Notary Signature)

[Affix seal/stamp to the left or below]

AMC448274

**MINING CLAIM MAP**



Lode (x) Placer ( )  
Millsite ( )

RECEIVED  
 BLM AZ STATE OFFICE  
 2011 DEC 20 A 10:45  
 PHOENIX, ARIZONA

Nw claim corner is  
2,023' W 873' N from  
SE cor S10

Scale: 1" = 2000 feet

1. The above map depicts the GRMC 83 mining claim, which is located in Section (s) 10, 15, Township 19 N, Range 20 W, Gila and Salt River Base and Meridian, Mohave County, Arizona. Total claim acreage is 20

2. The type of corner and location monuments used are as follows: 2"X2"X50" wooden posts with metal tags or rock monument

3. The bearings and distances in degrees and feet between claim corners and to a public land survey monument are as depicted on the map.

4. If the claim is a placer or millsite claim with exterior limits conforming to legal subdivisions of the public survey, provide a legal description of the claim \_\_\_\_\_

Form MCF100a  
Revised July 2014

This form is available from the Arizona Geology Survey and may be reproduced.

AMC 448274



2E

Gold Road Mining Corp.  
Suite 450, 1090 West Georgia Street  
Vancouver, BC V6E 3V7 Canada

WHEN RECORDED MAIL TO (MC):

FENNEMORE CRAIG  
2394 EAST CAMELBACK RD  
SUITE 600  
PHOENIX AZ 85016

**FEE# 2017062263**

OFFICIAL RECORDS  
OF MOHAVE COUNTY  
KRISTI BLAIR,  
COUNTY RECORDER



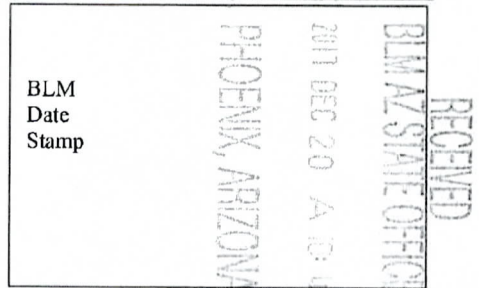
12/26/2017 02:27 PM Fee: \$10.00

PAGE: 1 of 2

**LOCATION NOTICE FOR LODE MINING CLAIM**

Amendment BLM Serial # \_\_\_\_\_

NOTICE IS HEREBY GIVEN that the GRMC 84  
\_\_\_\_\_ lode mining claim has been located  
by Gold Road Mining Corp. whose current mailing  
address is Suite 450, 1090 West Georgia Street  
Vancouver, BC V6E 3V7 Canada



The general course of this claim is Northwest-Southeast and it is situated in Mohave  
County, Arizona. This claim is 1500 feet in length and 600 feet in width.

20 Total Claim Acreage. This claim runs from the location monument on which this location notice  
is posted on the centerline of the claim approximately 20 feet in a NW direction to the NW  
end line and 1480 feet in a SE direction to the SE end line. This claim is marked by six  
monuments, one at each corner and one at the center of each end line of the claim.

The location monument on which this notice is posted is situated within Section 15, Township 19  
N, Range 20 W, Gila Salt River Base and Meridian, Arizona and this claim encompasses portions  
of the following quarter section(s), section(s), Township(s) and Range(s) \_\_\_\_\_  
NW 1/4, SW1/4 Sec. 15 T19N R20W

Gila Salt River Base and Meridian, Arizona.

The locality of this claim with reference to some natural object or permanent monument and additional information  
(if any) concerning its locality are as follows: \_\_\_\_\_

NW claim corner is 431'E 1,889'S from NW corner of Sec. 15 T19N R20W

\_\_\_\_\_ The above information is shown on the attached map.

DATED AND POSTED on the ground this 28th day of November, 20 17.

LOCATOR(s)  AGENT

Print Name(s) Stuart Burgess

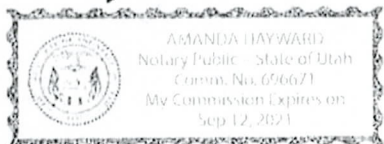
Signature(s) \_\_\_\_\_

State of Utah  
County of Salt Lake

This instrument was signed and sworn to before me  
on 12/2/17 by Stuart Burgess  
(Name of signer)

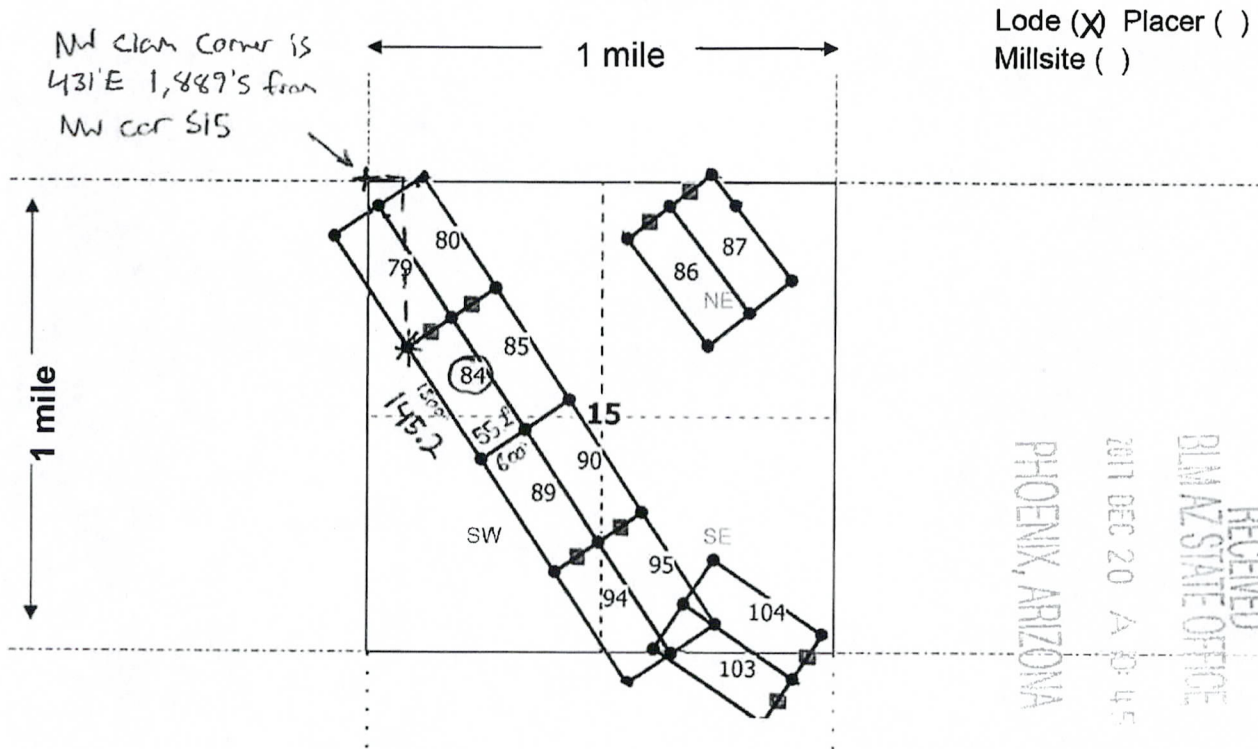
[Signature]  
(Notary Signature)

[Affix seal/stamp to the left or below]



AMC448275

**MINING CLAIM MAP**



Lode (X) Placer ( )  
Millsite ( )

1 mile

Scale: 1" = 2000 feet



RECEIVED  
 BLM AZ STATE OFFICE  
 2017 DEC 20 A 10:45  
 PHOENIX, ARIZONA

AMC 448275

1. The above map depicts the GRMC 84 mining claim, which is located in Section (s) 15, Township 19 N, Range 20 W, Gila and Salt River Base and Meridian, Mohave County, Arizona. Total claim acreage is 20

2. The type of corner and location monuments used are as follows: 2"X2"X50" wooden posts with metal tags or rock monument

3. The bearings and distances in degrees and feet between claim corners and to a public land survey monument are as depicted on the map.

4. If the claim is a placer or millsite claim with exterior limits conforming to legal subdivisions of the public survey, provide a legal description of the claim \_\_\_\_\_

Form MCF100a  
Revised July 2014

This form is available from the **Arizona Geology Survey** and may be reproduced.

Gold Road Mining Corp.  
Suite 450, 1090 West Georgia Street  
Vancouver, BC V6E 3V7 Canada

**LOCATION NOTICE FOR LODE MINING CLAIM**

Amendment BLM Serial # \_\_\_\_\_

NOTICE IS HEREBY GIVEN that the GRMC 84  
\_\_\_\_\_ lode mining claim has been located  
by Gold Road Mining Corp. whose current mailing  
address is Suite 450, 1090 West Georgia Street  
Vancouver, BC V6E 3V7 Canada

BLM  
Date  
Stamp  
2017 DEC 20 A 10:15  
PHOENIX, ARIZONA  
BLM AZ STATE OFFICE

RECEIVED

The general course of this claim is Northwest-Southeast and it is situated in Mohave  
County, Arizona. This claim is 1500 feet in length and 600 feet in width.

20 Total Claim Acreage. This claim runs from the location monument on which this location notice  
is posted on the centerline of the claim approximately 20 feet in a NW direction to the NW  
end line and 1480 feet in a SE direction to the SE end line. This claim is marked by six  
monuments, one at each corner and one at the center of each end line of the claim.

The location monument on which this notice is posted is situated within Section 15, Township 19  
N, Range 20 W, Gila Salt River Base and Meridian, Arizona and this claim encompasses portions  
of the following quarter section(s), section(s), Township(s) and Range(s) \_\_\_\_\_

NW 1/4, SW1/4 Sec.15 T19N R20W  
Gila Salt River Base and Meridian, Arizona.

The locality of this claim with reference to some natural object or permanent monument and additional information  
(if any) concerning its locality are as follows: \_\_\_\_\_

NW claim corner is 431'E 1,889'S from NW corner of Sec.15 T19N R20W

\_\_\_\_\_ The above information is shown on the attached map.

DATED AND POSTED on the ground this 28th day of November, 20 17.

LOCATOR(s)  AGENT

Print Name(s) Stuart Burgess

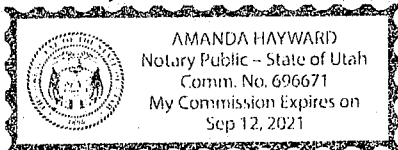
Signature(s) \_\_\_\_\_

State of Utah  
County of Salt Lake

This instrument was signed and sworn to before me  
on 12/2/17 by Stuart Burgess  
(Name of signer)

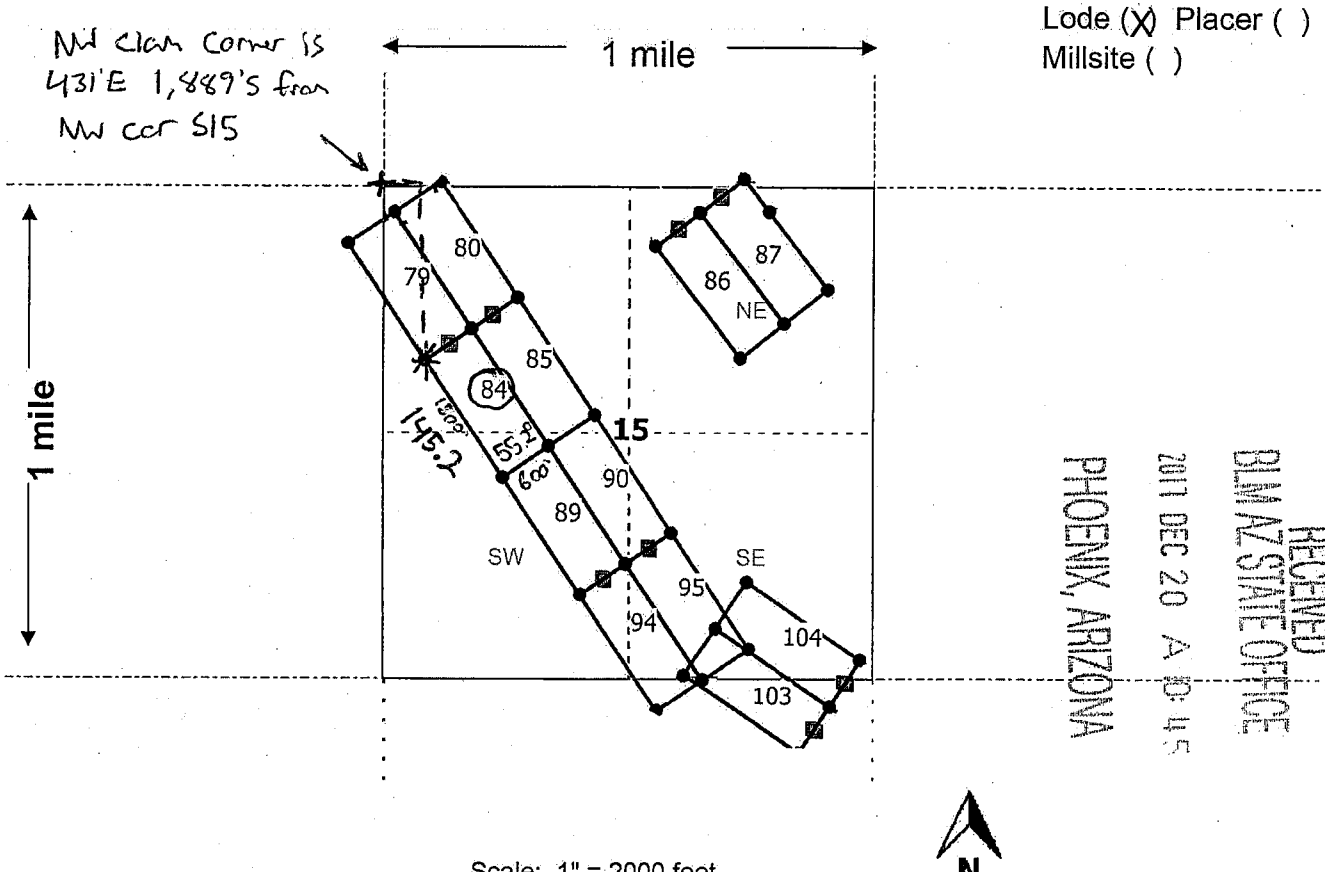
[Signature]  
(Notary Signature)

[Affix seal/stamp to the left or below]



AM0448275

**MINING CLAIM MAP**



- The above map depicts the GRMC 84 mining claim, which is located in Section (s) 15, Township 19 N, Range 20 W, Gila and Salt River Base and Meridian, Mohave County, Arizona. Total claim acreage is 20
- The type of corner and location monuments used are as follows: 2"X2"X50" wooden posts with metal tags or rock monument
- The bearings and distances in degrees and feet between claim corners and to a public land survey monument are as depicted on the map.
- If the claim is a placer or millsite claim with exterior limits conforming to legal subdivisions of the public survey, provide a legal description of the claim \_\_\_\_\_

Form MCF100a  
Revised July 2014

This form is available from the Arizona Geology Survey and may be reproduced.

AMC 448275

2E

Gold Road Mining Corp.  
Suite 450, 1090 West Georgia Street  
Vancouver, BC V6E 3V7 Canada

**FEE# 2017062264**

OFFICIAL RECORDS  
OF MOHAVE COUNTY  
KRISTI BLAIR,  
COUNTY RECORDER



12/26/2017 02:27 PM Fee: \$10.00

PAGE: 1 of 2

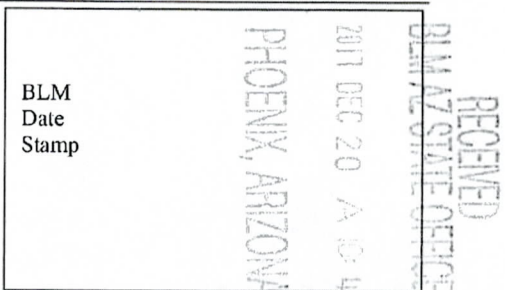
WHEN RECORDED MAIL TO (MC):

FENNEMORE CRAIG  
2394 EAST CAMELBACK RD  
SUITE 600  
PHOENIX AZ 85016

**LOCATION NOTICE FOR LODE MINING CLAIM**

Amendment BLM Serial # \_\_\_\_\_

NOTICE IS HEREBY GIVEN that the GRMC 85  
\_\_\_\_\_ lode mining claim has been located  
by Gold Road Mining Corp. whose current mailing  
address is Suite 450, 1090 West Georgia Street  
Vancouver, BC V6E 3V7 Canada



The general course of this claim is Northwest-Southeast and it is situated in Mohave  
County, Arizona. This claim is 1500 feet in length and 600 feet in width.

20 Total Claim Acreage. This claim runs from the location monument on which this location notice  
is posted on the centerline of the claim approximately 20 feet in a NW direction to the NW  
end line and 1480 feet in a SE direction to the SE end line. This claim is marked by six  
monuments, one at each corner and one at the center of each end line of the claim.

The location monument on which this notice is posted is situated within Section 15, Township 19  
N, Range 20 W, Gila Salt River Base and Meridian, Arizona and this claim encompasses portions  
of the following quarter section(s), section(s), Township(s) and Range(s) \_\_\_\_\_  
NW1/4, SW1/4 Sec.15 T19N R20W

Gila Salt River Base and Meridian, Arizona.

The locality of this claim with reference to some natural object or permanent monument and additional information  
(if any) concerning its locality are as follows: \_\_\_\_\_

NW claim corner is 932'E 1560'S from NW corner of Sec.15 T19N R20W

\_\_\_\_\_ The above information is shown on the attached map.

DATED AND POSTED on the ground this 28th day of November, 2017.

LOCATOR(s)  AGENT

Print Name(s) Stuart Burgess

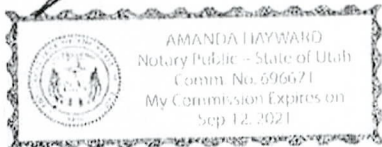
Signature(s) \_\_\_\_\_

State of Utah Salt Lake  
County of \_\_\_\_\_

This instrument was signed and sworn to before me  
on 12/2/17 by Stuart Burgess  
(Name of signer)

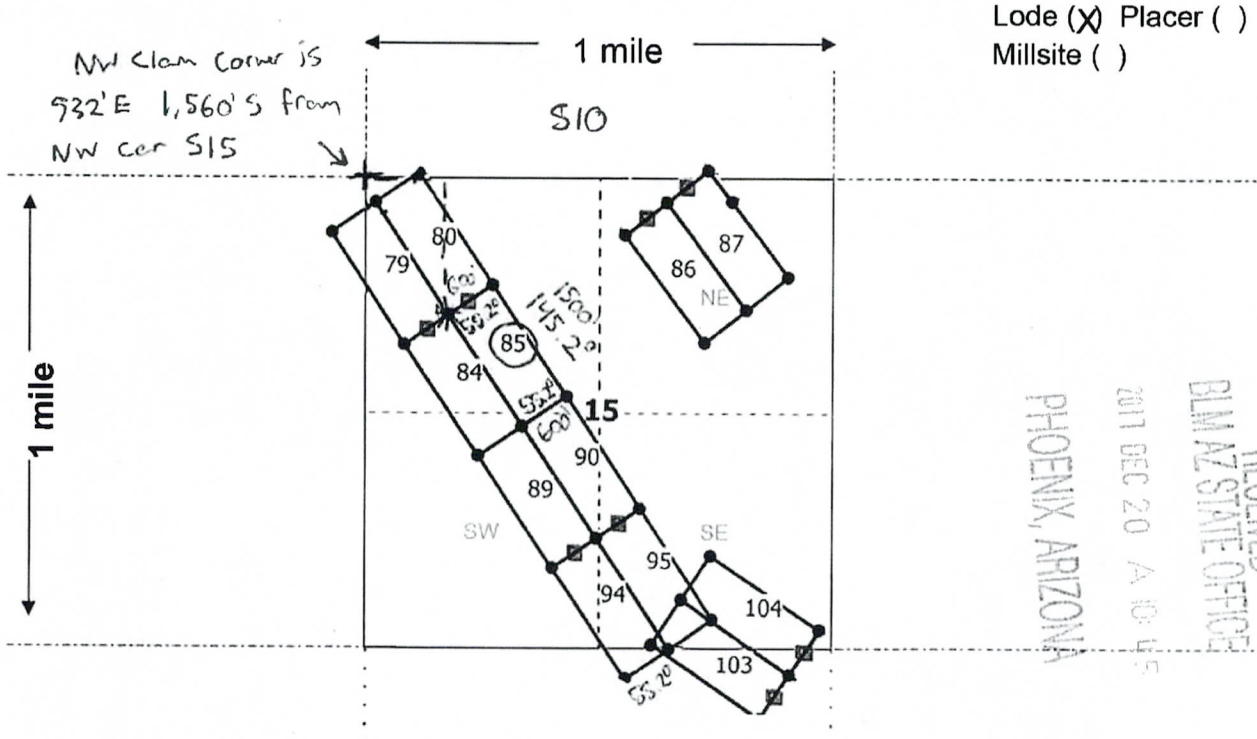
AKH  
(Notary Signature)

[Affix seal/stamp to the left or below]



AMC 448276

**MINING CLAIM MAP**



Lode (X) Placer ( )  
Millsite ( )

RECEIVED  
BLM AZ STATE OFFICE  
2017 DEC 20 A 10:45  
PHOENIX, ARIZONA

AMC448276

Scale: 1" = 2000 feet



1. The above map depicts the GRMC 85 mining claim, which is located in Section (s) 15, Township 19 N, Range 20 W, Gila and Salt River Base and Meridian, Mohave County, Arizona. Total claim acreage is 20
2. The type of corner and location monuments used are as follows: 2"X2"X50" wooden posts with metal tags or rock monument
3. The bearings and distances in degrees and feet between claim corners and to a public land survey monument are as depicted on the map.
4. If the claim is a placer or millsite claim with exterior limits conforming to legal subdivisions of the public survey, provide a legal description of the claim \_\_\_\_\_

**Form MCF100a**  
Revised July 2014

This form is available from the **Arizona Geology Survey** and may be reproduced.

Gold Road Mining Corp.  
Suite 450, 1090 West Georgia Street  
Vancouver, BC V6E 3V7 Canada

**LOCATION NOTICE FOR LODE MINING CLAIM**

Amendment BLM Serial # \_\_\_\_\_

NOTICE IS HEREBY GIVEN that the GRMC 85  
\_\_\_\_\_ lode mining claim has been located  
by Gold Road Mining Corp. whose current mailing  
address is Suite 450, 1090 West Georgia Street  
Vancouver, BC V6E 3V7 Canada

RECEIVED  
BLM AZ STATE OFFICE  
2017 DEC 20 A 10:45  
PHOENIX, ARIZONA  
BLM  
Date  
Stamp

The general course of this claim is Northwest-Southeast and it is situated in Mohave  
County, Arizona. This claim is 1500 feet in length and 600 feet in width.

20 Total Claim Acreage. This claim runs from the location monument on which this location notice  
is posted on the centerline of the claim approximately 20 feet in a NW direction to the NW  
end line and 1480 feet in a SE direction to the SE end line. This claim is marked by six  
monuments, one at each corner and one at the center of each end line of the claim.

The location monument on which this notice is posted is situated within Section 15, Township 19  
N, Range 20 W, Gila Salt River Base and Meridian, Arizona and this claim encompasses portions  
of the following quarter section(s), section(s), Township(s) and Range(s) \_\_\_\_\_  
NW1/4, SW1/4 Sec.15 T19N R20W

Gila Salt River Base and Meridian, Arizona.

The locality of this claim with reference to some natural object or permanent monument and additional information  
(if any) concerning its locality are as follows: \_\_\_\_\_

NW claim corner is 932'E 1560'S from NW corner of Sec.15 T19N R20W

\_\_\_\_\_ The above information is shown on the attached map.

DATED AND POSTED on the ground this 28th day of November, 20 17.

LOCATOR(s)  AGENT

Print Name(s) Stuart Burgess

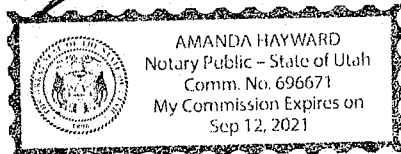
Signature(s) \_\_\_\_\_

State of Utah  
County of Salt Lake

This instrument was signed and sworn to before me  
on 12/2/17 by Stuart Burgess  
(Name of signer)

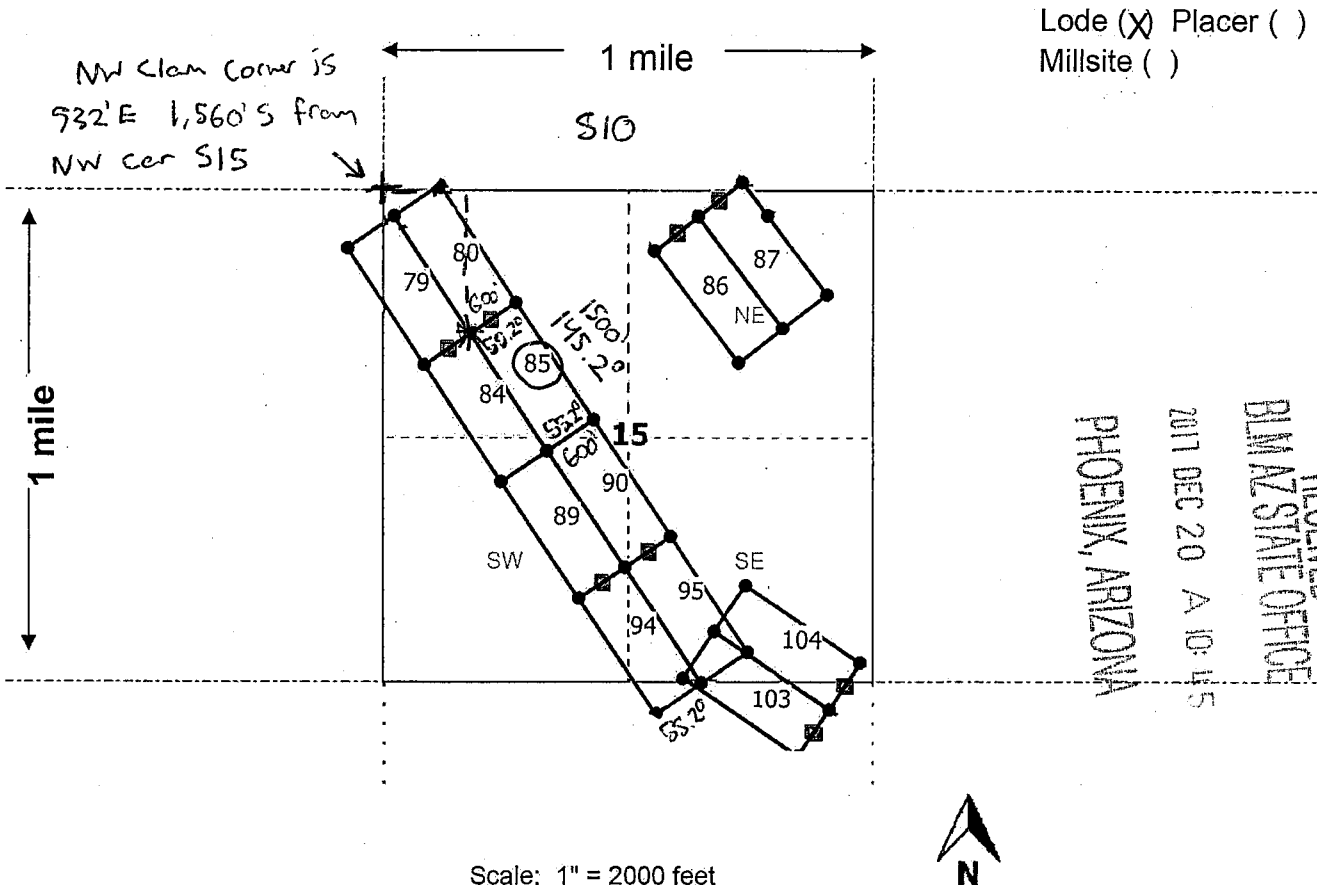
AMH  
(Notary Signature)

[Affix seal/stamp to the left or below]



AMC448276

**MINING CLAIM MAP**



RECEIVED  
 BLM AZ STATE OFFICE  
 PHOENIX, ARIZONA  
 2017 DEC 20 A 10:15

AMC 448276

1. The above map depicts the GRMC 85 mining claim, which is located in Section (s) 15, Township 19 N, Range 20 W, Gila and Salt River Base and Meridian, Mohave County, Arizona. Total claim acreage is 20

2. The type of corner and location monuments used are as follows: 2"X2"X50" wooden posts with metal tags or rock monument

3. The bearings and distances in degrees and feet between claim corners and to a public land survey monument are as depicted on the map.

4. If the claim is a placer or millsite claim with exterior limits conforming to legal subdivisions of the public survey, provide a legal description of the claim \_\_\_\_\_

**Form MCF100a**  
 Revised July 2014

This form is available from the **Arizona Geology Survey** and may be reproduced.



2E

Gold Road Mining Corp.  
Suite 450, 1090 West Georgia Street  
Vancouver, BC V6E 3V7 Canada

**FEE# 2017062265**

OFFICIAL RECORDS  
OF MOHAVE COUNTY  
KRISTI BLAIR,  
COUNTY RECORDER



12/26/2017 02:27 PM Fee: \$10.00

PAGE: 1 of 2

WHEN RECORDED MAIL TO (MC):

FENNEMORE CRAIG  
2394 EAST CAMELBACK RD  
SUITE 600  
PHOENIX AZ 85016

**LOCATION NOTICE FOR LODE MINING CLAIM**

Amendment BLM Serial # \_\_\_\_\_

NOTICE IS HEREBY GIVEN that the GRMC 86  
\_\_\_\_\_ lode mining claim has been located  
by Gold Road Mining Corp. whose current mailing  
address is Suite 450, 1090 West Georgia Street  
Vancouver, BC V6E 3V7 Canada

RECEIVED  
BLM AZ STATE OFFICE  
2017 DEC 20 A 10:45  
PHOENIX, ARIZONA  
BLM  
Date  
Stamp

The general course of this claim is Northwest-Southeast and it is situated in Mohave  
County, Arizona. This claim is 1500 feet in length and 600 feet in width.

20 Total Claim Acreage. This claim runs from the location monument on which this location notice  
is posted on the centerline of the claim approximately 20 feet in a NW direction to the NW  
end line and 1480 feet in a SE direction to the SE end line. This claim is marked by six  
monuments, one at each corner and one at the center of each end line of the claim.

The location monument on which this notice is posted is situated within Section 15, Township 19  
N, Range 20 W, Gila Salt River Base and Meridian, Arizona and this claim encompasses portions  
of the following quarter section(s), section(s), Township(s) and Range(s) \_\_\_\_\_  
NE1/4 Sec.15 T19N R20W

Gila Salt River Base and Meridian, Arizona.

The locality of this claim with reference to some natural object or permanent monument and additional information  
(if any) concerning its locality are as follows: \_\_\_\_\_

NW claim corner is 2,360'W 684'S from NE corner of Sec.15 T19N R20W

\_\_\_\_\_ The above information is shown on the attached map.

DATED AND POSTED on the ground this 29<sup>th</sup> day of November, 20 17.

LOCATOR(s)  AGENT

Print Name(s) Stuart Burgess

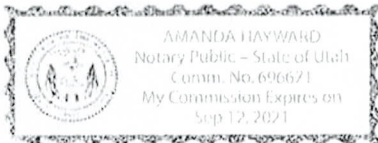
Signature(s) \_\_\_\_\_

State of Utah  
County of Salt Lake

This instrument was signed and sworn to before me  
on 12/2/17 by Stuart Burgess  
(Name of signer)

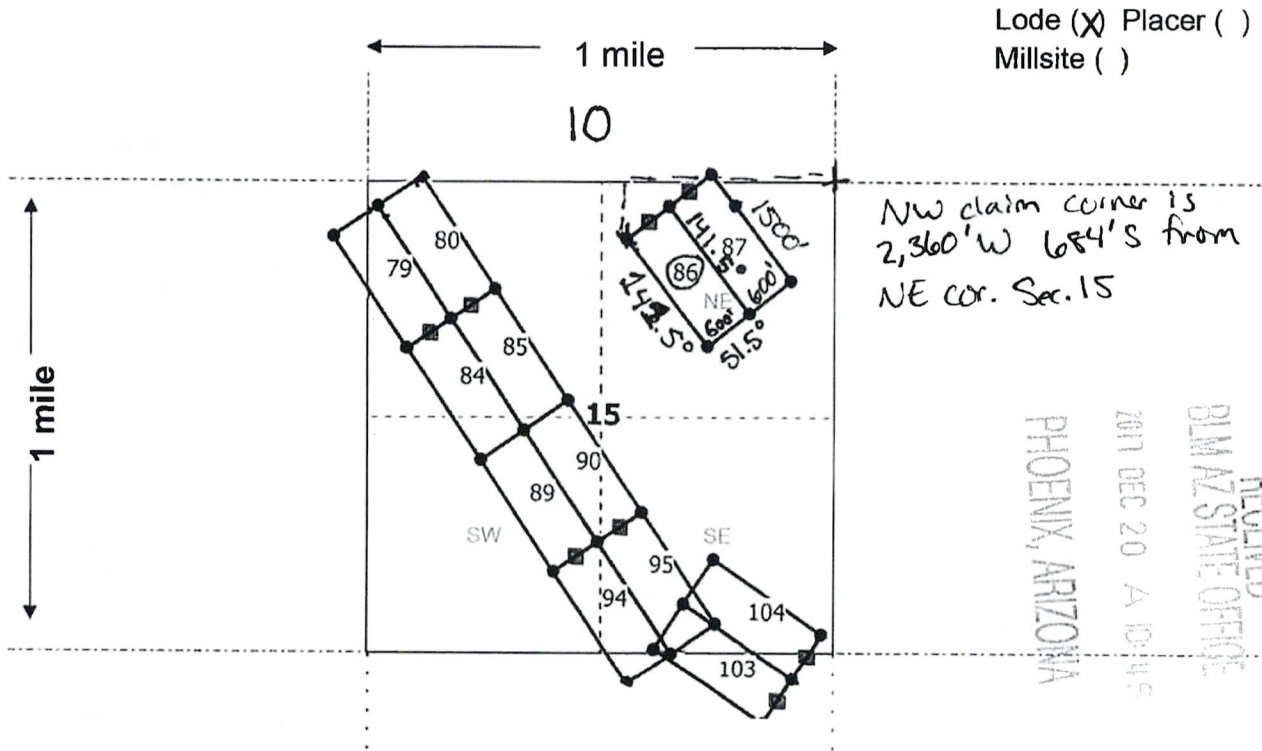
AKH  
(Notary Signature)

[Affix seal/stamp to the left or below]



AMC448277

**MINING CLAIM MAP**



Lode (X) Placer ( )  
Millsite ( )

NW claim corner is  
2,360' W 684' S from  
NE cor. Sec. 15

RECEIVED  
 BLM AZ STATE OFFICE  
 2017 DEC 20 A 10:45  
 PHOENIX, ARIZONA

AMC448217

Scale: 1" = 2000 feet

1. The above map depicts the GRMC 86 mining claim, which is located in Section (s) 15, Township 19 N, Range 20 W, Gila and Salt River Base and Meridian, Mohave County, Arizona. Total claim acreage is 20

2. The type of corner and location monuments used are as follows: 2"X2"X50" wooden posts with metal tags or rock monument

3. The bearings and distances in degrees and feet between claim corners and to a public land survey monument are as depicted on the map.

4. If the claim is a placer or millsite claim with exterior limits conforming to legal subdivisions of the public survey, provide a legal description of the claim \_\_\_\_\_

Form MCF100a  
Revised July 2014

Gold Road Mining Corp.  
Suite 450, 1090 West Georgia Street  
Vancouver, BC V6E 3V7 Canada

LOCATION NOTICE FOR LODE MINING CLAIM

Amendment BLM Serial # \_\_\_\_\_

NOTICE IS HEREBY GIVEN that the GRMC 86  
\_\_\_\_\_ lode mining claim has been located  
by Gold Road Mining Corp. whose current mailing  
address is Suite 450, 1090 West Georgia Street  
Vancouver, BC V6E 3V7 Canada

BLM  
Date  
Stamp  
2017 DEC 20 A 10:45  
PHOENIX, ARIZONA  
BLM AZ STATE OFFICE

RECEIVED  
BLM AZ STATE OFFICE

The general course of this claim is Northwest-Southeast and it is situated in Mohave  
County, Arizona. This claim is 1500 feet in length and 600 feet in width.

20 Total Claim Acreage. This claim runs from the location monument on which this location notice  
is posted on the centerline of the claim approximately 20 feet in a NW direction to the NW  
end line and 1480 feet in a SE direction to the SE end line. This claim is marked by six  
monuments, one at each corner and one at the center of each end line of the claim.

The location monument on which this notice is posted is situated within Section 15, Township 19  
N, Range 20 W, Gila Salt River Base and Meridian, Arizona and this claim encompasses portions  
of the following quarter section(s), section(s), Township(s) and Range(s) \_\_\_\_\_  
NE1/4 Sec.15 T19N R20W

Gila Salt River Base and Meridian, Arizona.

The locality of this claim with reference to some natural object or permanent monument and additional information  
(if any) concerning its locality are as follows: \_\_\_\_\_

NW claim corner is 2,360'W 684'S from NE corner of Sec.15 T19N R20W

\_\_\_\_\_ The above information is shown on the attached map.

DATED AND POSTED on the ground this 29<sup>th</sup> day of November, 2017.

LOCATOR(s)  AGENT

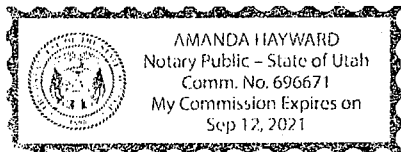
Print Name(s) Stuart Burgess

Signature(s) \_\_\_\_\_

State of Utah  
County of Salt Lake

This instrument was signed and sworn to before me on 12/2/17 by Stuart Burgess  
(Name of signer)

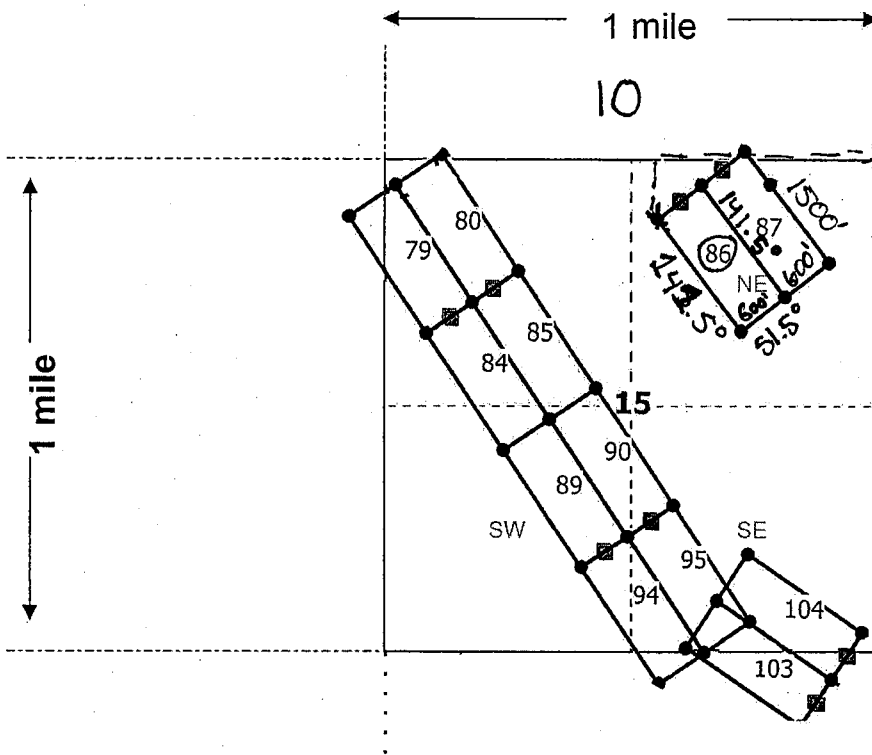
AmH  
(Notary Signature)  
[Affix seal/stamp to the left or below]



AMC448277

**MINING CLAIM MAP**

Lode (X) Placer ( )  
Millsite ( )



NW claim corner is  
2,360' W 684' S from  
NE cor. Sec. 15

RECEIVED  
BIAZ STATE OFFICE  
2017 DEC 20 A 10:45  
PHOENIX, ARIZONA

AMC 448277

Scale: 1" = 2000 feet



1. The above map depicts the GRMC 86 mining claim, which is located in Section (s) 15, Township 19 N, Range 20 W, Gila and Salt River Base and Meridian, Mohave County, Arizona. Total claim acreage is 20

2. The type of corner and location monuments used are as follows: 2"X2"X50" wooden posts with metal tags or rock monument

3. The bearings and distances in degrees and feet between claim corners and to a public land survey monument are as depicted on the map.

4. If the claim is a placer or millsite claim with exterior limits conforming to legal subdivisions of the public survey, provide a legal description of the claim \_\_\_\_\_

Form MCF100a  
Revised July 2014

This form is available from the Arizona Geology Survey and may be reproduced.

2E

Gold Road Mining Corp.  
Suite 450, 1090 West Georgia Street  
Vancouver, BC V6E 3V7 Canada

**FEE# 2017062266**

OFFICIAL RECORDS  
OF MOHAVE COUNTY  
KRISTI BLAIR,  
COUNTY RECORDER



12/26/2017 02:27 PM Fee: \$10.00

PAGE: 1 of 2

WHEN RECORDED MAIL TO (MC):

FENNEMORE CRAIG  
2394 EAST CAMELBACK RD  
SUITE 600  
PHOENIX AZ 85016

**LOCATION NOTICE FOR LODE MINING CLAIM**

Amendment BLM Serial # \_\_\_\_\_

NOTICE IS HEREBY GIVEN that the GRMC 87  
\_\_\_\_\_ lode mining claim has been located  
by Gold Road Mining Corp. whose current mailing  
address is Suite 450, 1090 West Georgia Street  
Vancouver, BC V6E 3V7 Canada

RECEIVED  
DEPT. OF STATE OFFICE  
PHOENIX, ARIZONA  
2017 DEC 20 A 10:15

BLM  
Date  
Stamp

The general course of this claim is Northwest-Southeast and it is situated in Mohave  
County, Arizona. This claim is 1500 feet in length and 600 feet in width.

20 Total Claim Acreage. This claim runs from the location monument on which this location notice  
is posted on the centerline of the claim approximately 20 feet in a NW direction to the NW  
end line and 1480 feet in a SE direction to the SE end line. This claim is marked by six  
monuments, one at each corner and one at the center of each end line of the claim.

The location monument on which this notice is posted is situated within Section 15, Township 19  
N, Range 20 W, Gila Salt River Base and Meridian, Arizona and this claim encompasses portions  
of the following quarter section(s), section(s), Township(s) and Range(s) \_\_\_\_\_  
NE 1/4 Sec.15 T19N R20W

Gila Salt River Base and Meridian, Arizona.

The locality of this claim with reference to some natural object or permanent monument and additional information  
(if any) concerning its locality are as follows: \_\_\_\_\_

NW claim corner is 1,877'W 323'S from NE corner of Sec.15 T19N R20W

\_\_\_\_\_ The above information is shown on the attached map.

DATED AND POSTED on the ground this 29th day of November, 20 17.

LOCATOR(s)  AGENT

Print Name(s) Stuart Burgess

Signature(s) \_\_\_\_\_

State of Utah  
County of Salt Lake

This instrument was signed and sworn to before me  
on 12/2/17 by Stuart Burgess  
(Name of signer)

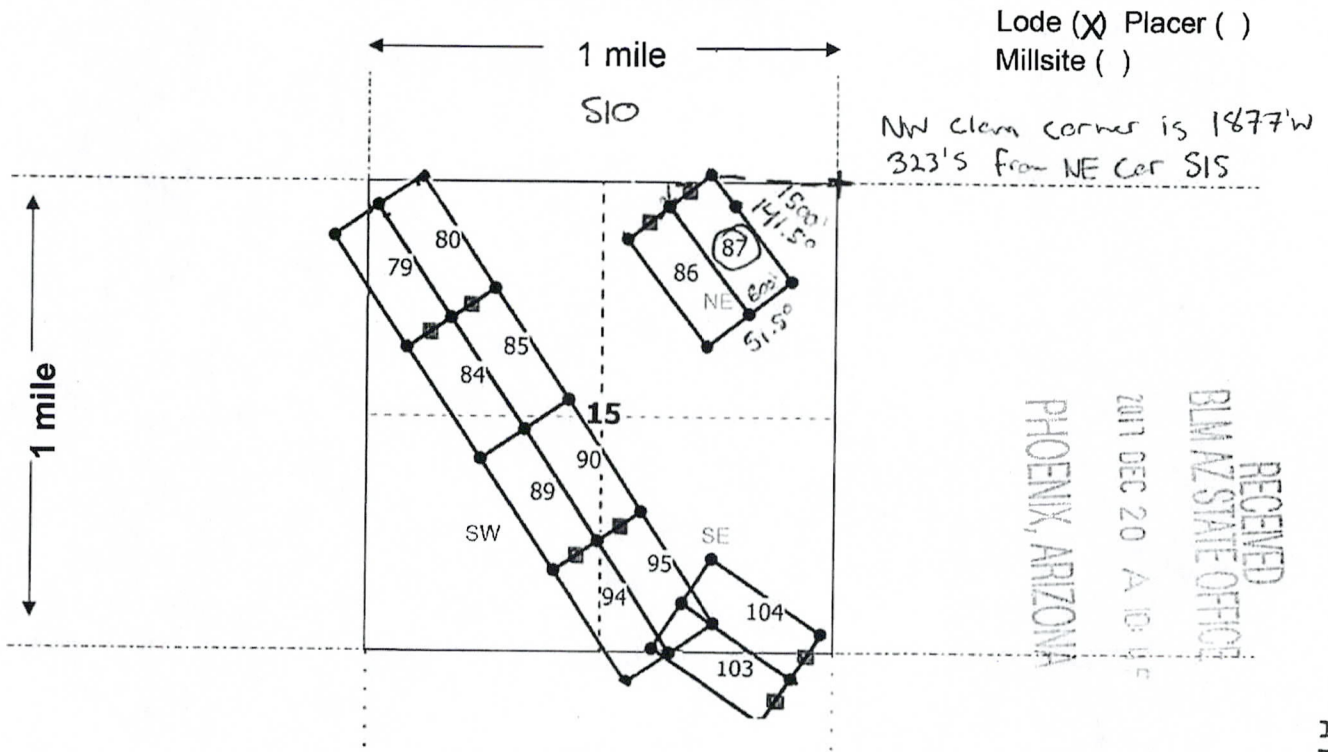
AJH  
(Notary Signature)

[Affix seal/stamp to the left or below]



AMC448278

**MINING CLAIM MAP**



Lode (X) Placer ( )  
Millsite ( )

NW claim corner is 1877'W  
323'S from NE Cor S10

RECEIVED  
BLM AZ STATE OFFICE  
2017 DEC 20 A 10:46  
PHOENIX, ARIZONA

AMC 448278

Scale: 1" = 2000 feet



- The above map depicts the GRMC 87 mining claim, which is located in Section (s) 15, Township 19 N, Range 20 W, Gila and Salt River Base and Meridian, Mohave County, Arizona. Total claim acreage is 20
- The type of corner and location monuments used are as follows: 2"X2"X50" wooden posts with metal tags or rock monument
- The bearings and distances in degrees and feet between claim corners and to a public land survey monument are as depicted on the map.
- If the claim is a placer or millsite claim with exterior limits conforming to legal subdivisions of the public survey, provide a legal description of the claim \_\_\_\_\_

Form MCF100a  
Revised July 2014

This form is available from the **Arizona Geology Survey** and may be reproduced.

Gold Road Mining Corp.  
Suite 450, 1090 West Georgia Street  
Vancouver, BC V6E 3V7 Canada

**LOCATION NOTICE FOR LODE MINING CLAIM**

Amendment BLM Serial # \_\_\_\_\_

NOTICE IS HEREBY GIVEN that the GRMC 87  
\_\_\_\_\_ lode mining claim has been located  
by Gold Road Mining Corp. whose current mailing  
address is Suite 450, 1090 West Georgia Street  
Vancouver, BC V6E 3V7 Canada

BLM  
Date  
Stamp  
PHOENIX, ARIZONA  
DEC 20 10:15  
BLM STATE OFFICE

RECEIVED  
BLM STATE OFFICE

The general course of this claim is Northwest-Southeast and it is situated in Mohave  
County, Arizona. This claim is 1500 feet in length and 600 feet in width.

20 Total Claim Acreage. This claim runs from the location monument on which this location notice  
is posted on the centerline of the claim approximately 20 feet in a NW direction to the NW  
end line and 1480 feet in a SE direction to the SE end line. This claim is marked by six  
monuments, one at each corner and one at the center of each end line of the claim.

The location monument on which this notice is posted is situated within Section 15, Township 19  
N, Range 20 W, Gila Salt River Base and Meridian, Arizona and this claim encompasses portions  
of the following quarter section(s), section(s), Township(s) and Range(s) \_\_\_\_\_  
NE 1/4 Sec.15 T19N R20W

Gila Salt River Base and Meridian, Arizona.

The locality of this claim with reference to some natural object or permanent monument and additional information  
(if any) concerning its locality are as follows: \_\_\_\_\_

NW claim corner is 1,877'W 323'S from NE corner of Sec.15 T19N R20W

\_\_\_\_\_ The above information is shown on the attached map.

DATED AND POSTED on the ground this 29th day of November, 2017.

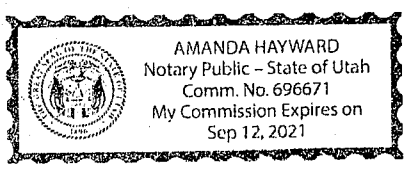
LOCATOR(s)  AGENT

Print Name(s) Stuart Burgess

Signature(s) \_\_\_\_\_

State of Utah  
County of Salt Lake

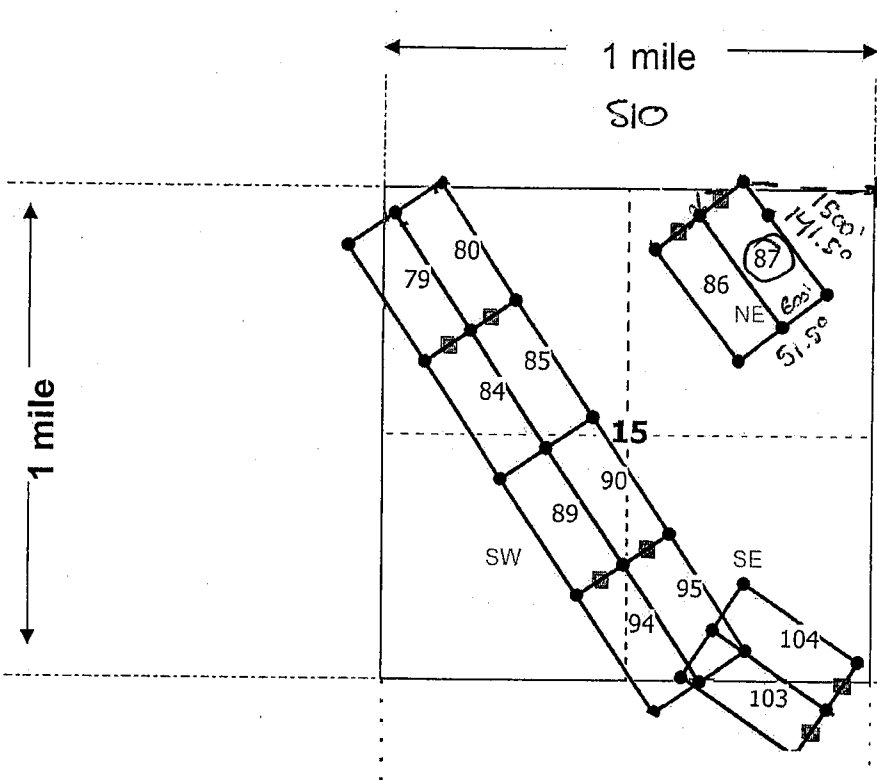
This instrument was signed and sworn to before me  
on 12/2/17 by Stuart Burgess  
(Name of signer)



[Signature]  
(Notary Signature)  
[Affix seal/stamp to the left or below]

AMC448278

**MINING CLAIM MAP**



Lode (X) Placer ( )  
Millsite ( )

NW claim corner is 1877'W  
323'S from NE Cor SIS

RECEIVED  
 BLM AZ STATE OFFICE  
 2017 DEC 20 A 10:15  
 PHOENIX, ARIZONA

Scale: 1" = 2000 feet



1. The above map depicts the GRMC 87 mining claim, which is located in Section (s) 15, Township 19 N, Range 20 W, Gila and Salt River Base and Meridian, Mohave County, Arizona. Total claim acreage is 20

2. The type of corner and location monuments used are as follows: 2"X2"X50" wooden posts with metal tags or rock monument

3. The bearings and distances in degrees and feet between claim corners and to a public land survey monument are as depicted on the map.

4. If the claim is a placer or millsite claim with exterior limits conforming to legal subdivisions of the public survey, provide a legal description of the claim \_\_\_\_\_

Form MCF100a  
Revised July 2014

This form is available from the Arizona Geology Survey and may be reproduced.

AMC 448278



2E

Gold Road Mining Corp.  
Suite 450, 1090 West Georgia Street  
Vancouver, BC V6E 3V7 Canada

FEE# 2017062267

OFFICIAL RECORDS  
OF MOHAVE COUNTY  
KRISTI BLAIR,  
COUNTY RECORDER



12/26/2017 02:27 PM Fee: \$10.00

PAGE: 1 of 2

WHEN RECORDED MAIL TO (MC):

FENNEMORE CRAIG  
2394 EAST CAMELBACK RD  
SUITE 600  
PHOENIX AZ 85016

LOCATION NOTICE FOR LODE MINING CLAIM

Amendment BLM Serial # \_\_\_\_\_

NOTICE IS HEREBY GIVEN that the GRMC 88  
\_\_\_\_\_ lode mining claim has been located  
by Gold Road Mining Corp whose current mailing  
address is Suite 450, 1090 West Georgia Street  
Vancouver, BC V6E 3V7 Canada

BLM  
Date  
Stamp  
PHOENIX, ARIZONA  
2017 DEC 20 A 10:44  
BLM AZ STATE OFFICE  
RECEIVED

The general course of this claim is Northwest-Southeast and it is situated in Mohave  
County, Arizona. This claim is 1500 feet in length and 600 feet in width.

20 Total Claim Acreage. This claim runs from the location monument on which this location notice  
is posted on the centerline of the claim approximately 300 feet in a SE direction to the SE  
end line and 1200 feet in a NW direction to the NW end line. This claim is marked by six  
monuments, one at each corner and one at the center of each end line of the claim.

The location monument on which this notice is posted is situated within Section 11, Township 19  
N, Range 20 W, Gila Salt River Base and Meridian, Arizona and this claim encompasses portions  
of the following quarter section(s), section(s), Township(s) and Range(s) \_\_\_\_\_  
SW1/4 Sec.11 and NW1/4 Sec.14 T19N R20W

Gila Salt River Base and Meridian, Arizona.

The locality of this claim with reference to some natural object or permanent monument and additional information  
(if any) concerning its locality are as follows: \_\_\_\_\_

NW claim corner is 4,894'W 4,671'S from NE corner of Sec.11 T19N R20W

\_\_\_\_\_ The above information is shown on the attached map.

DATED AND POSTED on the ground this 29<sup>th</sup> day of November, 2017.

LOCATOR(s)  AGENT

Print Name(s) Stuart Burgess

Signature(s) \_\_\_\_\_

State of Utah  
County of Salt Lake

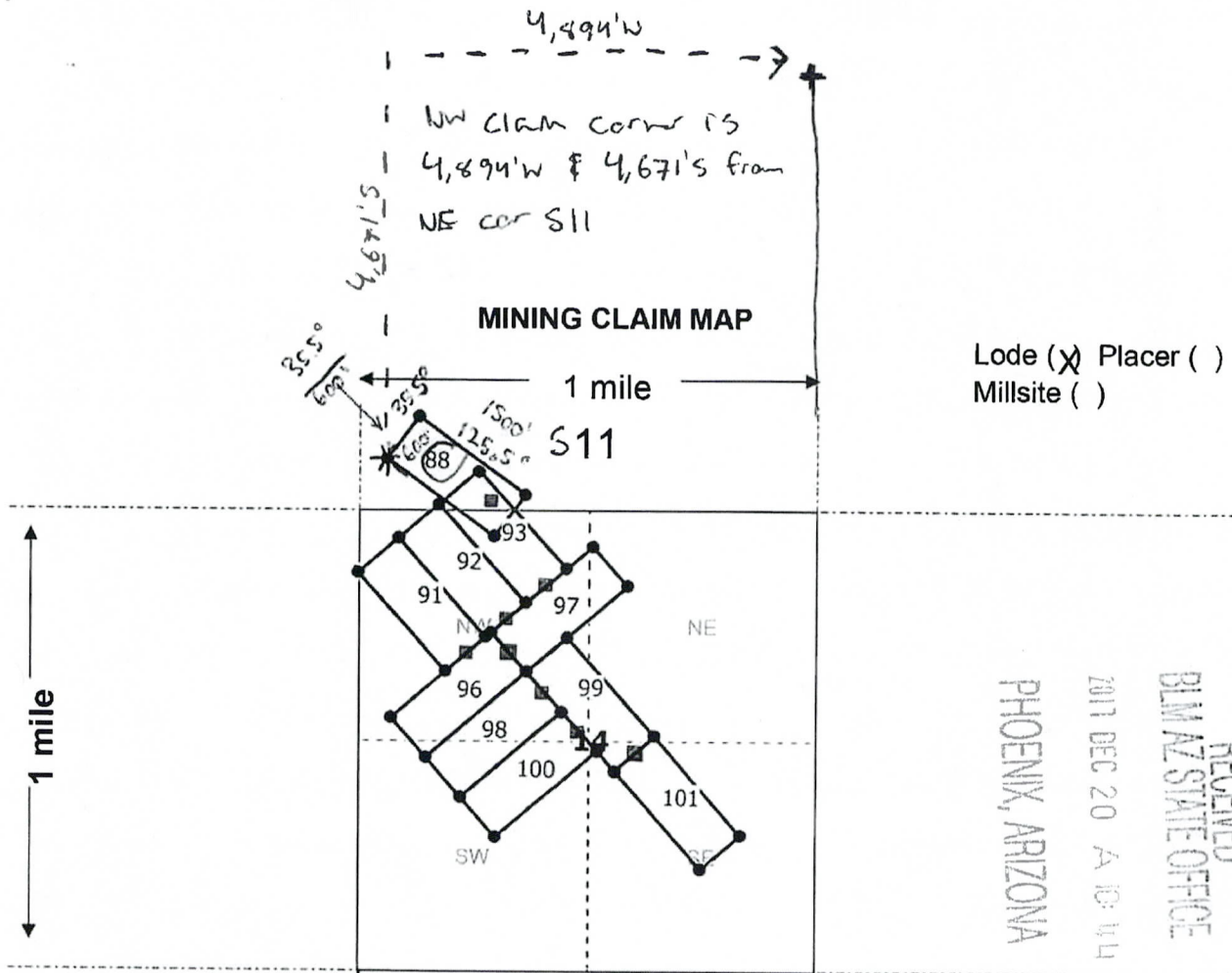
This instrument was signed and sworn to before me  
on 12/2/17 by Stuart Burgess  
(Name of signer)

\_\_\_\_\_  
(Notary Signature)

[Affix seal/stamp to the left or below]



ANCI48279



Scale: 1" = 2000 feet



1. The above map depicts the GRMC 88 mining claim, which is located in Section (s) 11, 14, Township 19 N, Range 20 W, Gila and Salt River Base and Meridian, Mohave County, Arizona. Total claim acreage is 20

2. The type of corner and location monuments used are as follows: 2"X2"X50" wooden posts with metal tags or rock monument

3. The bearings and distances in degrees and feet between claim corners and to a public land survey monument are as depicted on the map.

4. If the claim is a placer or millsite claim with exterior limits conforming to legal subdivisions of the public survey, provide a legal description of the claim \_\_\_\_\_

Form MCF100a  
Revised July 2014

This form is available from the Arizona Geology Survey and may be reproduced.

Gold Road Mining Corp.  
Suite 450, 1090 West Georgia Street  
Vancouver, BC V6E 3V7 Canada

**LOCATION NOTICE FOR LODE MINING CLAIM**

Amendment BLM Serial # \_\_\_\_\_

NOTICE IS HEREBY GIVEN that the GRMC 88  
\_\_\_\_\_ lode mining claim has been located  
by Gold Road Mining Corp. whose current mailing  
address is Suite 450, 1090 West Georgia Street  
Vancouver, BC V6E 3V7 Canada

BLM  
Date  
Stamp

RECEIVED  
BLM AZ STATE OFFICE  
2017 DEC 20 A 10:44  
PHOENIX, ARIZONA

The general course of this claim is Northwest-Southeast and it is situated in Mohave  
County, Arizona. This claim is 1500 feet in length and 600 feet in width.

20 Total Claim Acreage. This claim runs from the location monument on which this location notice  
is posted on the centerline of the claim approximately 300 feet in a SE direction to the SE  
end line and 1200 feet in a NW direction to the NW end line. This claim is marked by six  
monuments, one at each corner and one at the center of each end line of the claim.

The location monument on which this notice is posted is situated within Section 11, Township 19  
N, Range 20 W, Gila Salt River Base and Meridian, Arizona and this claim encompasses portions  
of the following quarter section(s), section(s), Township(s) and Range(s) \_\_\_\_\_  
SW1/4 Sec.11 and NW1/4 Sec.14 T19N R20W

Gila Salt River Base and Meridian, Arizona.

The locality of this claim with reference to some natural object or permanent monument and additional information  
(if any) concerning its locality are as follows: \_\_\_\_\_

NW claim corner is 4,894'W 4,671'S from NE corner of Sec.11 T19N R20W

\_\_\_\_\_ The above information is shown on the attached map.

DATED AND POSTED on the ground this 29th day of November, 20 17.

LOCATOR(s)  AGENT

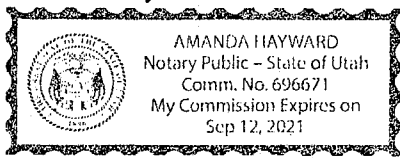
Print Name(s) Stuart Burgess

Signature(s) \_\_\_\_\_

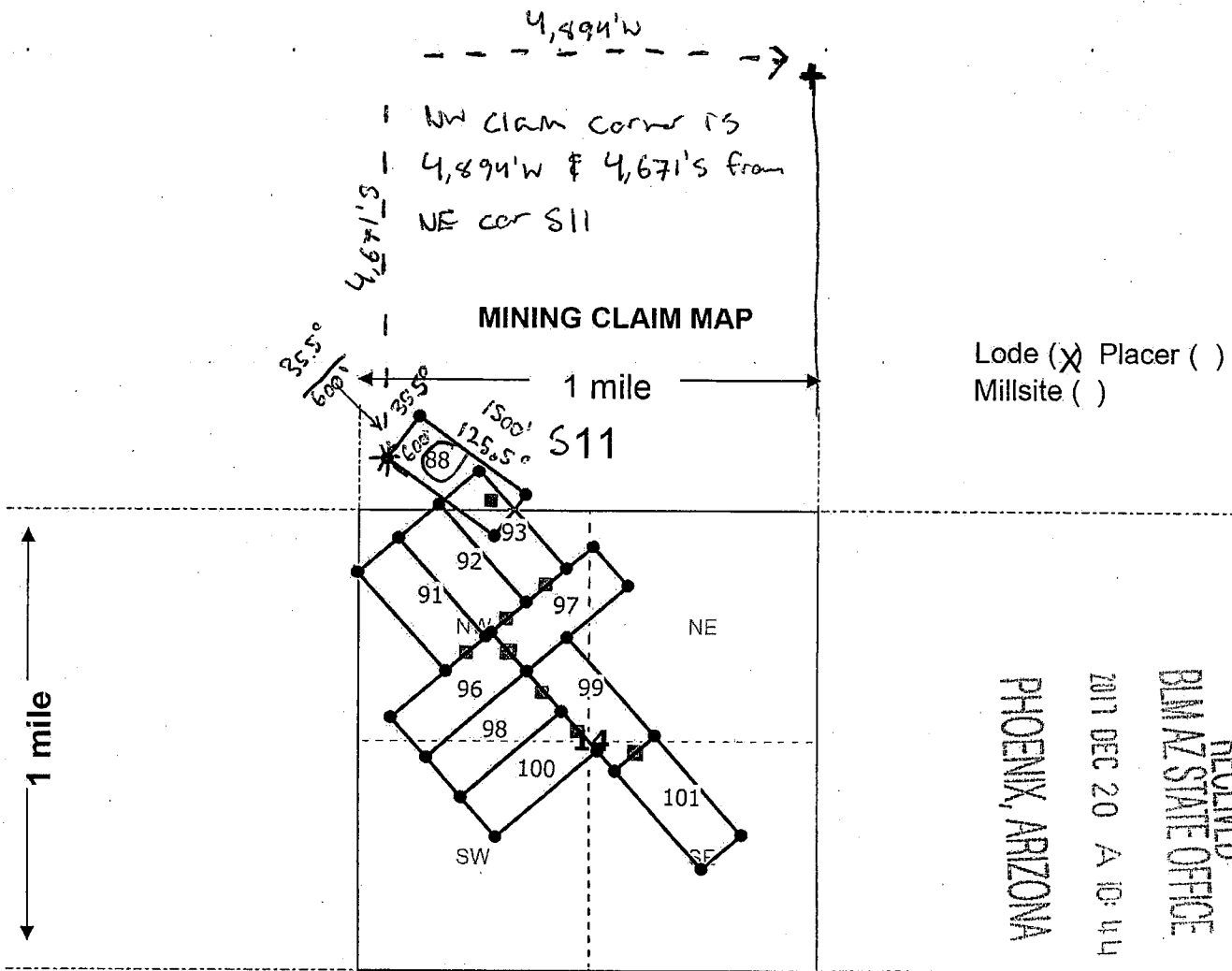
State of Utah  
County of Salt Lake

This instrument was signed and sworn to before me  
on 12/12/17 by Stuart Burgess  
(Name of signer)

\_\_\_\_\_  
(Notary Signature)  
[Affix seal/stamp to the left or below]



AMC448279



Lode (X) Placer ( )  
Millsite ( )

RECEIVED  
 BLM AZ STATE OFFICE  
 2017 DEC 20 A 10:44  
 PHOENIX, ARIZONA

Scale: 1" = 2000 feet



1. The above map depicts the GRMC 88 mining claim, which is located in Section (s) 11,14, Township 19 N, Range 20 W, Gila and Salt River Base and Meridian, Mohave County, Arizona. Total claim acreage is 20

2. The type of corner and location monuments used are as follows: 2"X2"X50" wooden posts with metal tags or rock monument

3. The bearings and distances in degrees and feet between claim corners and to a public land survey monument are as depicted on the map.

4. If the claim is a placer or millsite claim with exterior limits conforming to legal subdivisions of the public survey, provide a legal description of the claim \_\_\_\_\_

Form MCF100a  
Revised July 2014

This form is available from the Arizona Geology Survey and may be reproduced.

AMC 448279

2E

Gold Road Mining Corp.  
Suite 450, 1090 West Georgia Street  
Vancouver, BC V6E 3V7 Canada

**FEE# 2017062268**

OFFICIAL RECORDS  
OF MOHAVE COUNTY  
KRISTI BLAIR,  
COUNTY RECORDER



12/26/2017 02:27 PM Fee: \$10.00

PAGE: 1 of 2

WHEN RECORDED MAIL TO (MC):

FENNEMORE CRAIG  
2394 EAST CAMELBACK RD  
SUITE 600  
PHOENIX AZ 85016

**LOCATION NOTICE FOR LODE MINING CLAIM**

Amendment BLM Serial # \_\_\_\_\_  
NOTICE IS HEREBY GIVEN that the GRMC 89  
\_\_\_\_\_ lode mining claim has been located  
by Gold Road Mining Corp. whose current mailing  
address is Suite 450, 1090 West Georgia Street  
Vancouver, BC V6E 3V7 Canada

RECEIVED  
BLM AZ STATE OFFICE  
PHOENIX, ARIZONA  
2017 DEC 20 A.D. 11  
BLM  
Date  
Stamp

The general course of this claim is Northwest-Southeast and it is situated in Mohave  
County, Arizona. This claim is 1500 feet in length and 600 feet in width.

20 Total Claim Acreage. This claim runs from the location monument on which this location notice  
is posted on the centerline of the claim approximately 20 feet in a SE direction to the SE  
end line and 1480 feet in a NW direction to the NW end line. This claim is marked by six  
monuments, one at each corner and one at the center of each end line of the claim.

The location monument on which this notice is posted is situated within Section 15, Township 19  
N, Range 20 W, Gila Salt River Base and Meridian, Arizona and this claim encompasses portions  
of the following quarter section(s), section(s), Township(s) and Range(s) \_\_\_\_\_  
SW1/4 Sec.15 T19N R20W

Gila Salt River Base and Meridian, Arizona.

The locality of this claim with reference to some natural object or permanent monument and additional information  
(if any) concerning its locality are as follows: \_\_\_\_\_

NW claim corner is 1,252'E 2,144'N from SW corner of Sec.15 T19N R20W

\_\_\_\_\_ The above information is shown on the attached map.

DATED AND POSTED on the ground this 29th day of November, 20 17.

LOCATOR(s)  AGENT

Print Name(s) Stuart Burgess

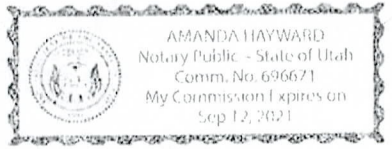
Signature(s) \_\_\_\_\_

State of Utah  
County of Salt Lake

This instrument was signed and sworn to before me  
on 12/2/17 by Stuart Burgess  
(Name of signer)

AKH  
(Notary Signature)

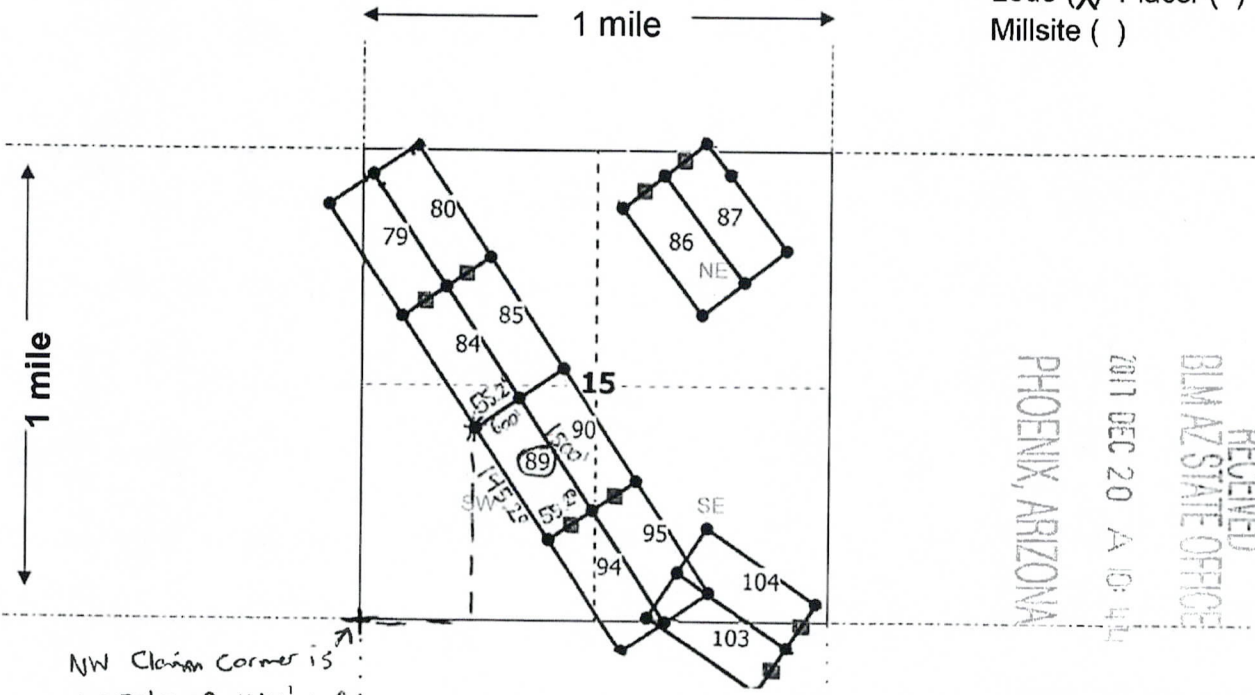
[Affix seal/stamp to the left or below]



AMC448280

**MINING CLAIM MAP**

Lode (X) Placer ( )  
Millsite ( )



NW Claim Corner is  
1,252' E 2,144' N from  
SW cor S15

Scale: 1" = 2000 feet



AMC448280

RECEIVED  
BLM AZ STATE OFFICE  
2017 DEC 20 A 10:44  
PHOENIX, ARIZONA

1. The above map depicts the GRMC 89 mining claim, which is located in Section (s) 15, Township 19 N, Range 20 W, Gila and Salt River Base and Meridian, Mohave County, Arizona. Total claim acreage is 20
2. The type of corner and location monuments used are as follows: 2"X2"X50" wooden posts with metal tags or rock monument
3. The bearings and distances in degrees and feet between claim corners and to a public land survey monument are as depicted on the map.
4. If the claim is a placer or millsite claim with exterior limits conforming to legal subdivisions of the public survey, provide a legal description of the claim \_\_\_\_\_

**Form MCF100a**  
Revised July 2014

This form is available from the **Arizona Geology Survey** and may be reproduced.

Gold Road Mining Corp.  
Suite 450, 1090 West Georgia Street  
Vancouver, BC V6E 3V7 Canada

LOCATION NOTICE FOR LODE MINING CLAIM

Amendment BLM Serial # \_\_\_\_\_

NOTICE IS HEREBY GIVEN that the GRMC 89  
\_\_\_\_\_ lode mining claim has been located  
by Gold Road Mining Corp. whose current mailing  
address is Suite 450, 1090 West Georgia Street  
Vancouver, BC V6E 3V7 Canada

RECEIVED  
BLM AZ STATE OFFICE  
2017 DEC 20 A 10:44  
PHOENIX, ARIZONA  
BLM  
Date  
Stamp

The general course of this claim is Northwest-Southeast and it is situated in Mohave  
County, Arizona. This claim is 1500 feet in length and 600 feet in width.

20 Total Claim Acreage. This claim runs from the location monument on which this location notice  
is posted on the centerline of the claim approximately 20 feet in a SE direction to the SE  
end line and 1480 feet in a NW direction to the NW end line. This claim is marked by six  
monuments, one at each corner and one at the center of each end line of the claim.

The location monument on which this notice is posted is situated within Section 15, Township 19  
N, Range 20 W, Gila Salt River Base and Meridian, Arizona and this claim encompasses portions  
of the following quarter section(s), section(s), Township(s) and Range(s) \_\_\_\_\_

SW1/4 Sec.15 T19N R20W

Gila Salt River Base and Meridian, Arizona.

The locality of this claim with reference to some natural object or permanent monument and additional information  
(if any) concerning its locality are as follows: \_\_\_\_\_

NW claim corner is 1,252'E 2,144'N from SW corner of Sec.15 T19N R20W

\_\_\_\_\_ The above information is shown on the attached map.

DATED AND POSTED on the ground this 29th day of November, 2017.

LOCATOR(s)  AGENT

Print Name(s) Stuart Burgess

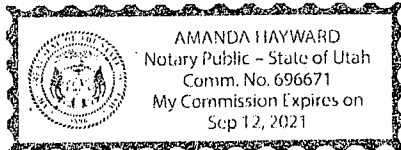
Signature(s) \_\_\_\_\_

State of Utah  
County of Salt Lake

This instrument was signed and sworn to before me  
on 12/2/17 by Stuart Burgess  
(Name of signer)

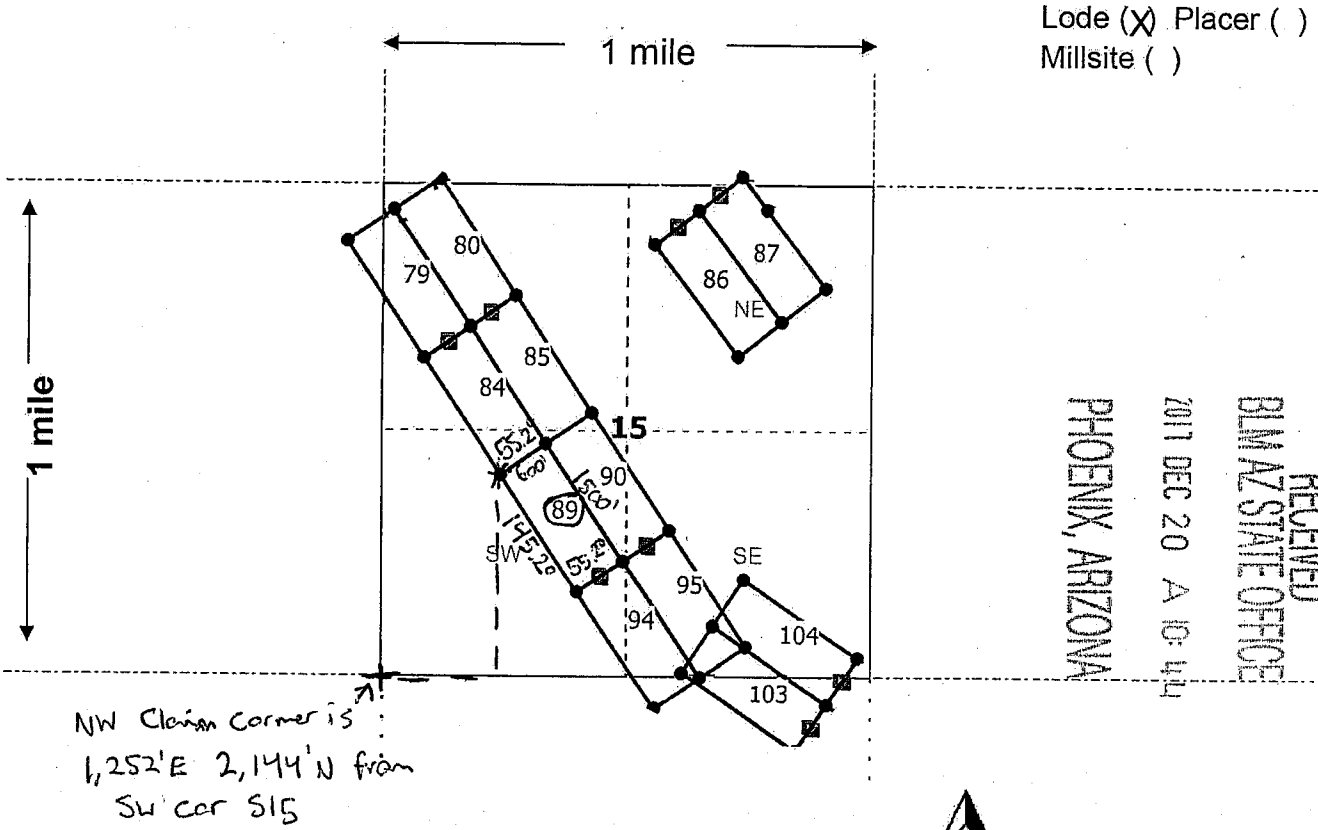
ASH  
(Notary Signature)

[Affix seal/stamp to the left or below]



AMC 448280

**MINING CLAIM MAP**



AMC 448280

1. The above map depicts the GRMC 89 mining claim, which is located in Section (s) 15, Township 19 N, Range 20 W, Gila and Salt River Base and Meridian, Mohave County, Arizona. Total claim acreage is 20

2. The type of corner and location monuments used are as follows: 2"X2"X50" wooden posts with metal tags or rock monument

3. The bearings and distances in degrees and feet between claim corners and to a public land survey monument are as depicted on the map.

4. If the claim is a placer or millsite claim with exterior limits conforming to legal subdivisions of the public survey, provide a legal description of the claim \_\_\_\_\_

Form MCF100a  
Revised July 2014



2E

Gold Road Mining Corp.  
Suite 450, 1090 West Georgia Street  
Vancouver, BC V6E 3V7 Canada

WHEN RECORDED MAIL TO (MC):

FENNEMORE CRAIG  
2394 EAST CAMELBACK RD  
SUITE 600  
PHOENIX AZ 85016



FEE# 2017062269

OFFICIAL RECORDS  
OF MOHAVE COUNTY  
KRISTI BLAIR,  
COUNTY RECORDER



12/26/2017 02:27 PM Fee: \$10.00

PAGE: 1 of 2

LOCATION NOTICE FOR LODE MINING CLAIM

Amendment BLM Serial # \_\_\_\_\_

NOTICE IS HEREBY GIVEN that the GRMC 90  
\_\_\_\_\_ lode mining claim has been located  
by Gold Road Mining Corp. whose current mailing  
address is Suite 450, 1090 West Georgia Street  
Vancouver, BC V6E 3V7 Canada

RECEIVED  
BLM AZ STATE OFFICE  
2017 DEC 20 AM 10:41  
PHOENIX, ARIZONA

BLM  
Date  
Stamp

The general course of this claim is Northwest-Southeast and it is situated in Mohave  
County, Arizona. This claim is 1500 feet in length and 600 feet in width.

20 Total Claim Acreage. This claim runs from the location monument on which this location notice  
is posted on the centerline of the claim approximately 20 feet in a SE direction to the SE  
end line and 1480 feet in a NW direction to the NW end line. This claim is marked by six  
monuments, one at each corner and one at the center of each end line of the claim.

The location monument on which this notice is posted is situated within Section 15, Township 19  
N, Range 20 W, Gila Salt River Base and Meridian, Arizona and this claim encompasses portions  
of the following quarter section(s), section(s), Township(s) and Range(s) \_\_\_\_\_  
NW1/4, SW1/4, SE1/4 Sec.15 T19N R20W

Gila Salt River Base and Meridian, Arizona.

The locality of this claim with reference to some natural object or permanent monument and additional information  
(if any) concerning its locality are as follows: \_\_\_\_\_

NW claim corner is 1,750'E 2,470'N from SW corner of Sec.15 T19N R20W

\_\_\_\_\_ The above information is shown on the attached map.

DATED AND POSTED on the ground this 29<sup>th</sup> day of November, 2017.

LOCATOR(s)  AGENT

Print Name(s) Stuart Burgess

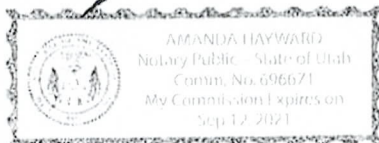
Signature(s) \_\_\_\_\_

State of Utah  
County of Salt Lake

This instrument was signed and sworn to before me  
on 12/2/17 by Stuart Burgess  
(Name of signer)

AMH  
(Notary signature)

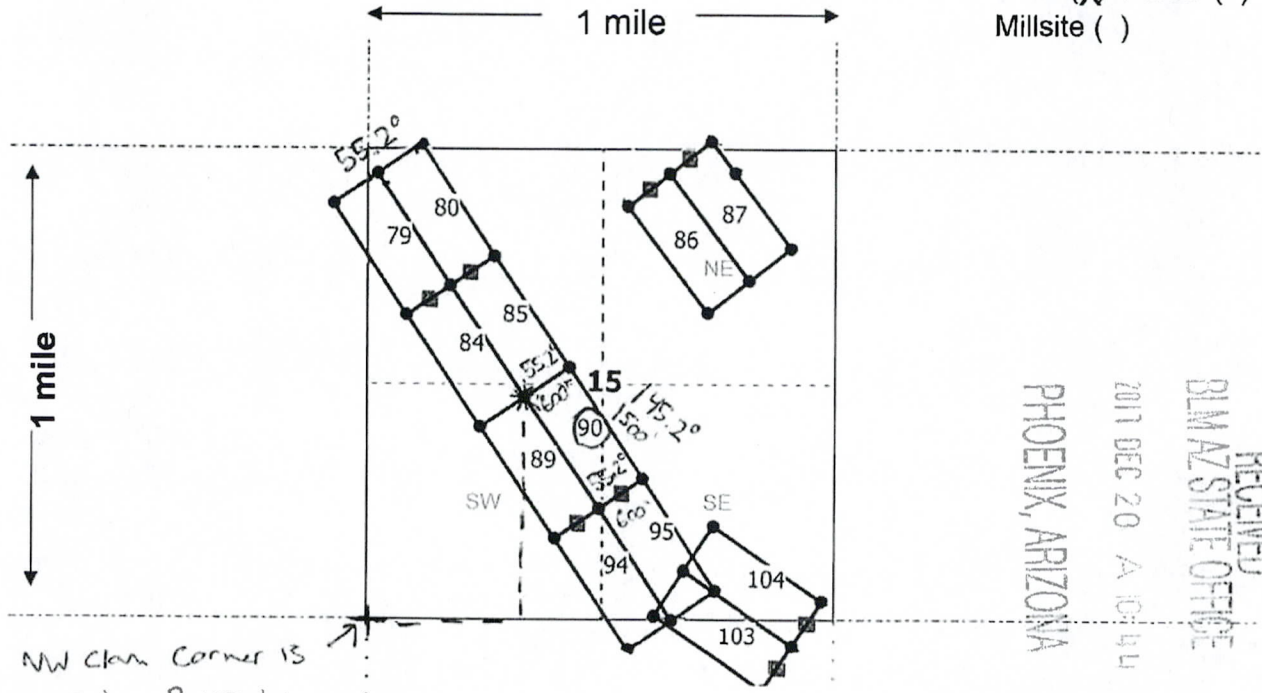
[Affix seal/stamp to the left or below]



AMC448281

**MINING CLAIM MAP**

Lode (X) Placer ( )  
Millsite ( )



RECEIVED  
 BLM AZ STATE OFFICE  
 2011 DEC 20 A 10:44  
 PHOENIX, ARIZONA

NW claim corner is  
1,750' E 2,470' N  
from SW cor S15

Scale: 1" = 2000 feet



1. The above map depicts the GRMC 90 mining claim, which is located in Section (s) 15, Township 19 N, Range 20 W, Gila and Salt River Base and Meridian, Mohave County, Arizona. Total claim acreage is 20

2. The type of corner and location monuments used are as follows: 2"X2"X50" wooden posts with metal tags or rock monument

3. The bearings and distances in degrees and feet between claim corners and to a public land survey monument are as depicted on the map.

4. If the claim is a placer or millsite claim with exterior limits conforming to legal subdivisions of the public survey, provide a legal description of the claim \_\_\_\_\_

Form MCF100a  
Revised July 2014

This form is available from the **Arizona Geology Survey** and may be reproduced.

AMC 448281

Gold Road Mining Corp.  
Suite 450, 1090 West Georgia Street  
Vancouver, BC V6E 3V7 Canada

LOCATION NOTICE FOR LODE MINING CLAIM

Amendment BLM Serial # \_\_\_\_\_

NOTICE IS HEREBY GIVEN that the GRMC 90  
\_\_\_\_\_ lode mining claim has been located  
by Gold Road Mining Corp whose current mailing  
address is Suite 450, 1090 West Georgia Street  
Vancouver, BC V6E 3V7 Canada

RECEIVED  
BLM STATE OFFICE  
PHOENIX, ARIZONA  
2017 DEC 20 A 10:44  
BLM  
Date  
Stamp

The general course of this claim is Northwest-Southeast and it is situated in Mohave  
County, Arizona. This claim is 1500 feet in length and 600 feet in width.

20 Total Claim Acreage. This claim runs from the location monument on which this location notice  
is posted on the centerline of the claim approximately 20 feet in a SE direction to the SE  
end line and 1480 feet in a NW direction to the NW end line. This claim is marked by six  
monuments, one at each corner and one at the center of each end line of the claim.

The location monument on which this notice is posted is situated within Section 15, Township 19  
N, Range 20 W, Gila Salt River Base and Meridian, Arizona and this claim encompasses portions  
of the following quarter section(s), section(s), Township(s) and Range(s) \_\_\_\_\_  
NW1/4, SW1/4, SE1/4 Sec.15 T19N R20W

Gila Salt River Base and Meridian, Arizona.

The locality of this claim with reference to some natural object or permanent monument and additional information  
(if any) concerning its locality are as follows: \_\_\_\_\_

NW claim corner is 1,750'E 2,470'N from SW corner of Sec.15 T19N R20W

\_\_\_\_\_ The above information is shown on the attached map.

DATED AND POSTED on the ground this 29th day of November, 2017.

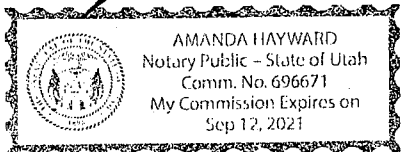
LOCATOR(s)  AGENT

Print Name(s) Stuart Burgess

Signature(s) \_\_\_\_\_

State of Utah  
County of Salt Lake

This instrument was signed and sworn to before me  
on 12/2/17 by Stuart Burgess  
(Name of signer)

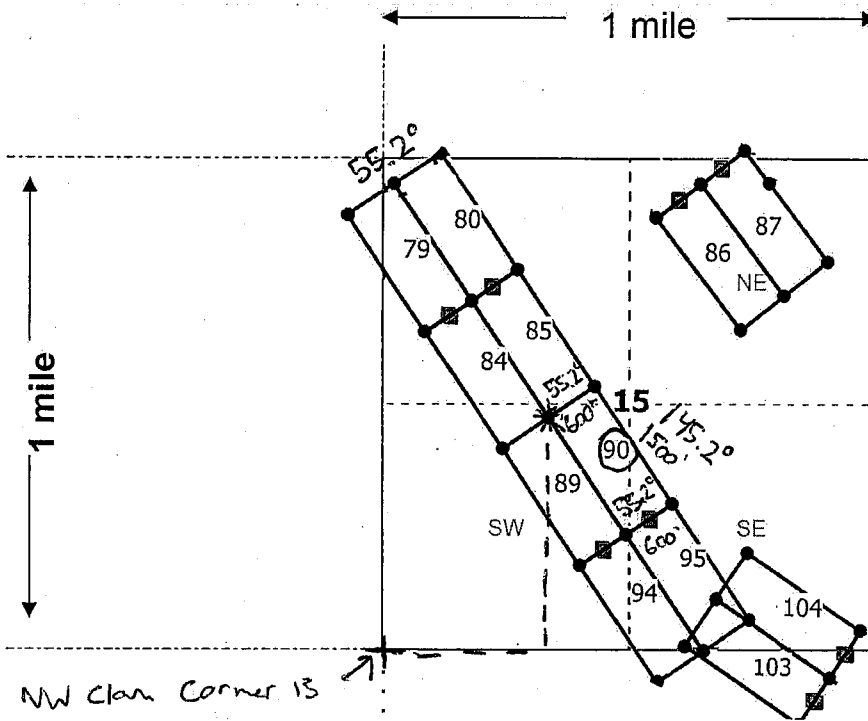


\_\_\_\_\_  
(Notary signature)  
[Affix seal/stamp to the left or below]

AMC448281

**MINING CLAIM MAP**

Lode (X) Placer ( )  
Millsite ( )



NW claim corner is  
1,750' E 2,470' N  
from SW cor S15

RECEIVED  
BLM AZ STATE OFFICE  
2011 DEC 20 A 10:44  
PHOENIX, ARIZONA

Scale: 1" = 2000 feet



1. The above map depicts the GRMC 90 mining claim, which is located in Section (s) 15, Township 19 N, Range 20 W, Gila and Salt River Base and Meridian, Mohave County, Arizona. Total claim acreage is 20

2. The type of corner and location monuments used are as follows: 2"X2"X50" wooden posts with metal tags or rock monument

3. The bearings and distances in degrees and feet between claim corners and to a public land survey monument are as depicted on the map.

4. If the claim is a placer or millsite-claim with exterior limits conforming to legal subdivisions of the public survey, provide a legal description of the claim \_\_\_\_\_

Form MCF100a  
Revised July 2014

This form is available from the Arizona Geology Survey and may be reproduced.

AMC 448281

2E

Gold Road Mining Corp.  
Suite 450, 1090 West Georgia Street  
Vancouver, BC V6E 3V7 Canada

WHEN RECORDED MAIL TO (MC):

FENNEMORE CRAIG  
2394 EAST CAMELBACK RD  
SUITE 600  
PHOENIX AZ 85016

FEE# 2017062270

OFFICIAL RECORDS  
OF MOHAVE COUNTY  
KRISTI BLAIR,  
COUNTY RECORDER



12/26/2017 02:27 PM Fee: \$10.00

PAGE: 1 of 2

LOCATION NOTICE FOR LODE MINING CLAIM

Amendment BLM Serial # \_\_\_\_\_

NOTICE IS HEREBY GIVEN that the GRMC 91  
\_\_\_\_\_ lode mining claim has been located  
by Gold Road Mining Corp. whose current mailing  
address is Suite 450, 1090 West Georgia Street  
Vancouver, BC V6E 3V7 Canada

RECEIVED  
BLM AZ STATE OFFICE  
PHOENIX, ARIZONA  
DEC 20 10:44  
BLM  
Date  
Stamp

The general course of this claim is Northwest-Southeast and it is situated in Mohave  
County, Arizona. This claim is 1500 feet in length and 600 feet in width.

20 Total Claim Acreage. This claim runs from the location monument on which this location notice  
is posted on the centerline of the claim approximately 20 feet in a SE direction to the SE  
end line and 1480 feet in a NW direction to the NW end line. This claim is marked by six  
monuments, one at each corner and one at the center of each end line of the claim.

The location monument on which this notice is posted is situated within Section 14, Township 19  
N, Range 20 W, Gila Salt River Base and Meridian, Arizona and this claim encompasses portions  
of the following quarter section(s), section(s), Township(s) and Range(s) \_\_\_\_\_  
NW1/4 Sec.14 T19N R20W

Gila Salt River Base and Meridian, Arizona.

The locality of this claim with reference to some natural object or permanent monument and additional information  
(if any) concerning its locality are as follows: \_\_\_\_\_

NW claim corner is 34'E 703'S from NW corner of Sec.14 T19N R20W

\_\_\_\_\_ The above information is shown on the attached map.

DATED AND POSTED on the ground this 29th day of November, 20 17.

LOCATOR(s)  AGENT

Print Name(s) Stuart Burgess

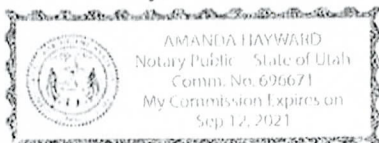
Signature(s) \_\_\_\_\_

State of Utah  
County of Salt Lake

This instrument was signed and sworn to before me  
on 12/2/17 by Stuart Burgess  
(Name of signer)

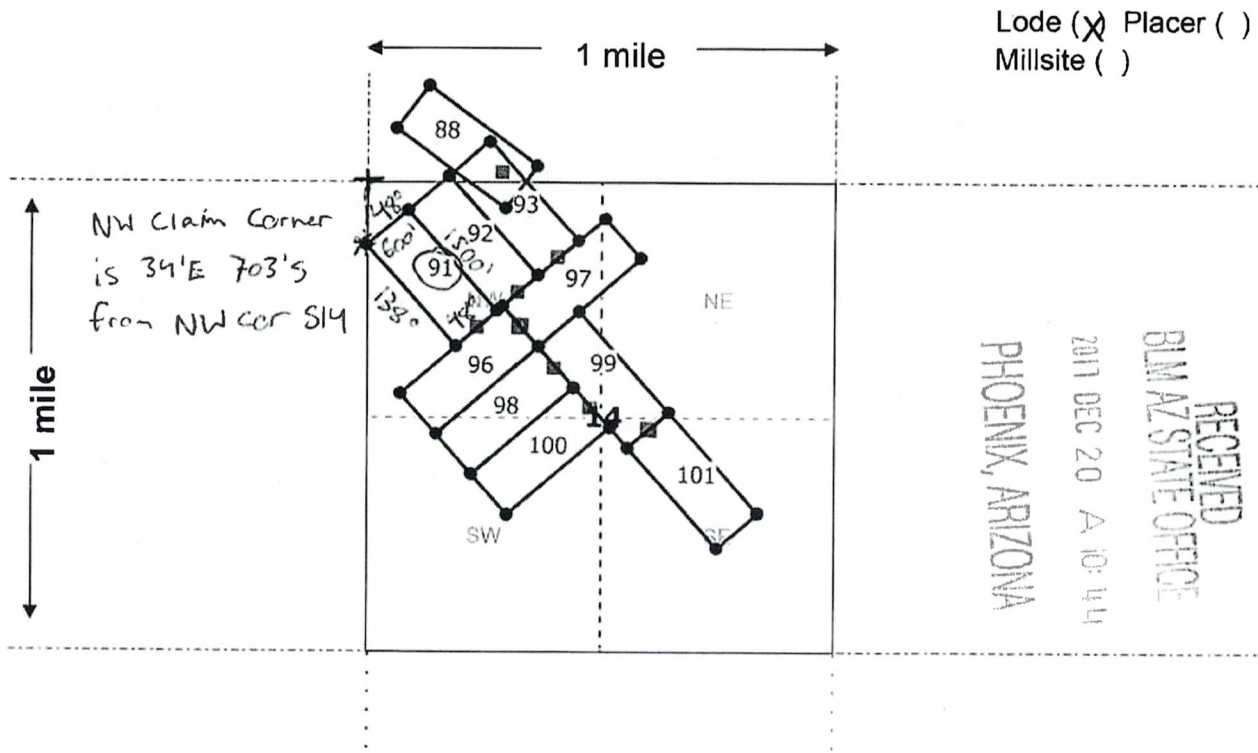
[Signature]

(Notary Signature)  
[Affix seal/stamp to the left or below]



AMC448282

**MINING CLAIM MAP**



Scale: 1" = 2000 feet



1. The above map depicts the GRMC 91 mining claim, which is located in Section (s) 14, Township 19 N, Range 20 W, Gila and Salt River Base and Meridian, Mohave County, Arizona. Total claim acreage is 20
2. The type of corner and location monuments used are as follows: 2"X2"X50" wooden posts with metal tags or rock monument
3. The bearings and distances in degrees and feet between claim corners and to a public land survey monument are as depicted on the map.
4. If the claim is a placer or millsite claim with exterior limits conforming to legal subdivisions of the public survey, provide a legal description of the claim \_\_\_\_\_

Form MCF100a  
Revised July 2014

This form is available from the **Arizona Geology Survey** and may be reproduced.

AMC448282

Gold Road Mining Corp.  
Suite 450, 1090 West Georgia Street  
Vancouver, BC V6E 3V7 Canada

LOCATION NOTICE FOR LODE MINING CLAIM

Amendment BLM Serial # \_\_\_\_\_

NOTICE IS HEREBY GIVEN that the GRMC 91

\_\_\_\_\_ lode mining claim has been located  
by Gold Road Mining Corp. whose current mailing  
address is Suite 450, 1090 West Georgia Street  
Vancouver, BC V6E 3V7 Canada

RECEIVED  
BLM AZ STATE OFFICE  
2017 DEC 20 A 10:44  
PHOENIX, ARIZONA  
BLM  
Date  
Stamp

The general course of this claim is Northwest-Southeast and it is situated in Mohave  
County, Arizona. This claim is 1500 feet in length and 600 feet in width.

20 Total Claim Acreage. This claim runs from the location monument on which this location notice  
is posted on the centerline of the claim approximately 20 feet in a SE direction to the SE  
end line and 1480 feet in a NW direction to the NW end line. This claim is marked by six  
monuments, one at each corner and one at the center of each end line of the claim.

The location monument on which this notice is posted is situated within Section 14, Township 19  
N, Range 20 W, Gila Salt River Base and Meridian, Arizona and this claim encompasses portions  
of the following quarter section(s), section(s), Township(s) and Range(s) \_\_\_\_\_  
NW1/4 Sec. 14 T19N R20W

Gila Salt River Base and Meridian, Arizona.

The locality of this claim with reference to some natural object or permanent monument and additional information  
(if any) concerning its locality are as follows: \_\_\_\_\_

NW claim corner is 34'E 703'S from NW corner of Sec. 14 T19N R20W

\_\_\_\_\_ The above information is shown on the attached map.

DATED AND POSTED on the ground this 27th day of November, 20 17.

LOCATOR(s)  AGENT

Print Name(s) Stuart Burgess

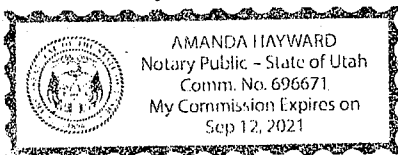
Signature(s) \_\_\_\_\_

State of Utah  
County of Salt Lake

This instrument was signed and sworn to before me  
on 12/12/17 by Stuart Burgess  
(Name of signer)

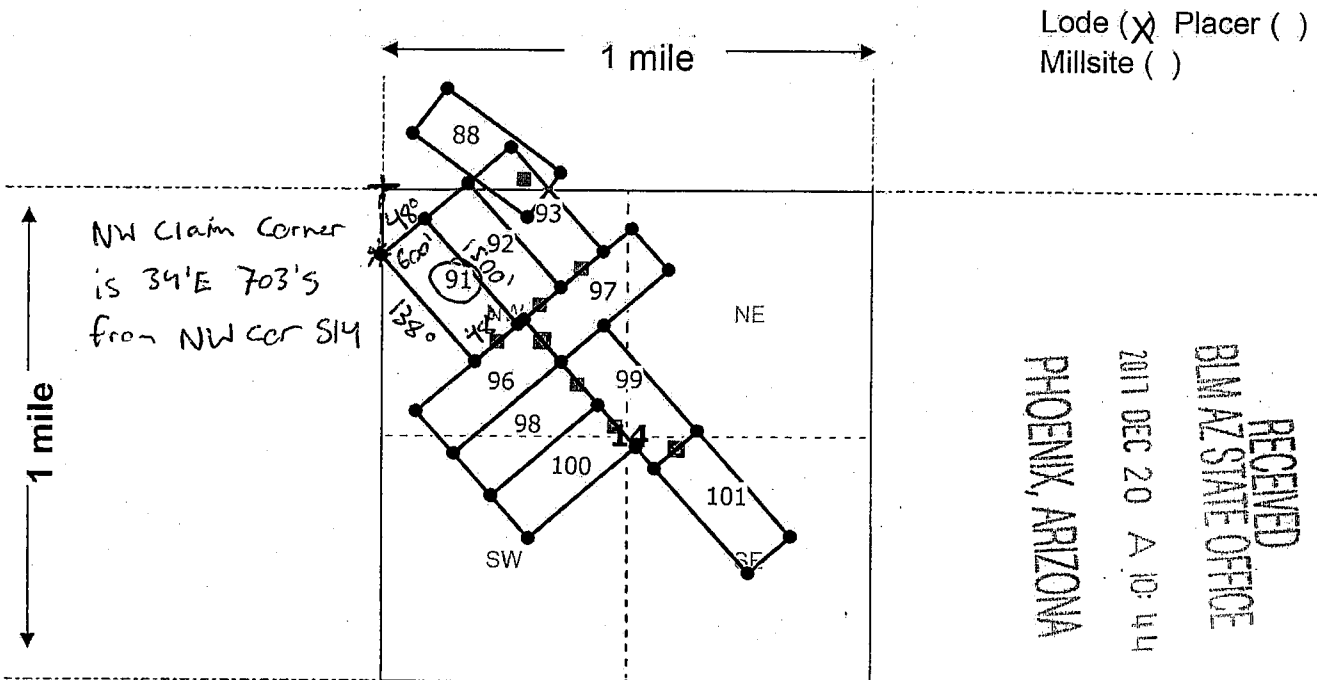
\_\_\_\_\_  
(Notary Signature)

[Affix seal/stamp to the left or below]



AMC 448282

**MINING CLAIM MAP**



Scale: 1" = 2000 feet



1. The above map depicts the GRMC 91 mining claim, which is located in Section (s) 14, Township 19 N, Range 20 W, Gila and Salt River Base and Meridian, Mohave County, Arizona. Total claim acreage is 20

2. The type of corner and location monuments used are as follows: 2"X2"X50" wooden posts with metal tags or rock monument

3. The bearings and distances in degrees and feet between claim corners and to a public land survey monument are as depicted on the map.

4. If the claim is a placer or millsite claim with exterior limits conforming to legal subdivisions of the public survey, provide a legal description of the claim \_\_\_\_\_

Form MCF100a  
Revised July 2014

This form is available from the Arizona Geology Survey and may be reproduced.

AMC 448282



2E

Gold Road Mining Corp.  
Suite 450, 1090 West Georgia Street  
Vancouver, BC V6E 3V7 Canada

FEE# 2017062271

OFFICIAL RECORDS  
OF MOHAVE COUNTY  
KRISTI BLAIR,  
COUNTY RECORDER



12/26/2017 02:27 PM Fee: \$10.00

PAGE: 1 of 2

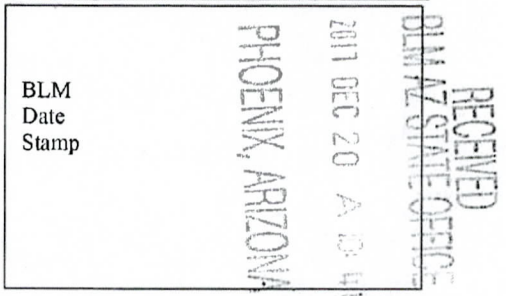
WHEN RECORDED MAIL TO (MC):

FENNEMORE CRAIG  
2394 EAST CAMELBACK RD  
SUITE 600  
PHOENIX AZ 85016

LOCATION NOTICE FOR LODE MINING CLAIM

Amendment BLM Serial # \_\_\_\_\_

NOTICE IS HEREBY GIVEN that the GRMC 92  
\_\_\_\_\_ lode mining claim has been located  
by Gold Road Mining Corp. whose current mailing  
address is Suite 450, 1090 West Georgia Street  
Vancouver, BC V6E 3V7 Canada



The general course of this claim is Northwest-Southeast and it is situated in Mohave  
County, Arizona. This claim is 1500 feet in length and 600 feet in width.

20 Total Claim Acreage. This claim runs from the location monument on which this location notice  
is posted on the centerline of the claim approximately 20 feet in a SE direction to the SE  
end line and 1480 feet in a NW direction to the NW end line. This claim is marked by six  
monuments, one at each corner and one at the center of each end line of the claim.

The location monument on which this notice is posted is situated within Section 14, Township 19  
N, Range 20 W, Gila Salt River Base and Meridian, Arizona and this claim encompasses portions  
of the following quarter section(s), section(s), Township(s) and Range(s) \_\_\_\_\_  
NW1/4 Sec.14 and SW1/4 Sec.11 T19N R20W

Gila Salt River Base and Meridian, Arizona.

The locality of this claim with reference to some natural object or permanent monument and additional information  
(if any) concerning its locality are as follows: \_\_\_\_\_

NW claim corner is 492'E 310'S from SW corner of Sec.14 T19N R20W

\_\_\_\_\_ The above information is shown on the attached map.

DATED AND POSTED on the ground this 29<sup>th</sup> day of November, 2017.

LOCATOR(s)  AGENT

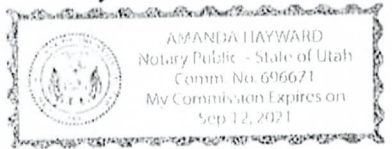
Print Name(s) Stuart Burgess

Signature(s) \_\_\_\_\_

State of Utah  
County of Salt Lake

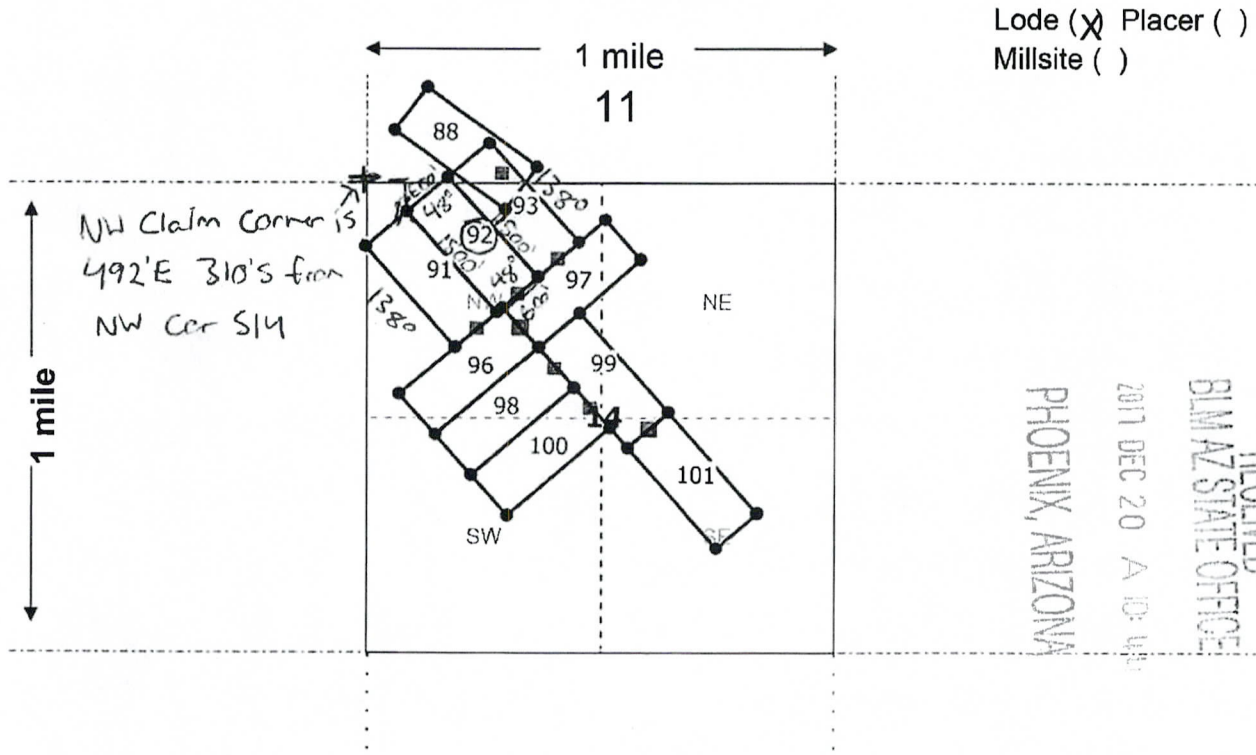
This instrument was signed and sworn to before me  
on 12/2/17 by Stuart Burgess  
(Name of signer)

[Signature]  
(Notary signature)  
[Affix seal/stamp to the left or below]



AMC 4 8 2 8 3

**MINING CLAIM MAP**



Scale: 1" = 2000 feet



1. The above map depicts the GRMC 92 mining claim, which is located in Section (s) 11, 14, Township 19 N, Range 20 W, Gila and Salt River Base and Meridian, Mohave County, Arizona. Total claim acreage is 20

2. The type of corner and location monuments used are as follows: 2"X2"X50" wooden posts with metal tags or rock monument

3. The bearings and distances in degrees and feet between claim corners and to a public land survey monument are as depicted on the map.

4. If the claim is a placer or millsite claim with exterior limits conforming to legal subdivisions of the public survey, provide a legal description of the claim \_\_\_\_\_

Form MCF100a  
Revised July 2014

This form is available from the **Arizona Geology Survey** and may be reproduced.

RECEIVED  
 BLM AZ STATE OFFICE  
 2017 DEC 20 A 10:44  
 PHOENIX, ARIZONA

AMC 448283

Gold Road Mining Corp.  
Suite 450, 1090 West Georgia Street  
Vancouver, BC V6E 3V7 Canada

**LOCATION NOTICE FOR LODE MINING CLAIM**

Amendment BLM Serial # \_\_\_\_\_

NOTICE IS HEREBY GIVEN that the GRMC 92  
\_\_\_\_\_ lode mining claim has been located  
by Gold Road Mining Corp. whose current mailing  
address is Suite 450, 1090 West Georgia Street  
Vancouver, BC V6E 3V7 Canada

RECEIVED  
BLM STATE OFFICE  
2017 DEC 20 A 10:44  
PHOENIX, ARIZONA  
BLM  
Date  
Stamp

The general course of this claim is Northwest-Southeast and it is situated in Mohave  
County, Arizona. This claim is 1500 feet in length and 600 feet in width.

20 Total Claim Acreage. This claim runs from the location monument on which this location notice  
is posted on the centerline of the claim approximately 20 feet in a SE direction to the SE  
end line and 1480 feet in a NW direction to the NW end line. This claim is marked by six  
monuments, one at each corner and one at the center of each end line of the claim.

The location monument on which this notice is posted is situated within Section 14, Township 19  
N, Range 20 W, Gila Salt River Base and Meridian, Arizona and this claim encompasses portions  
of the following quarter section(s), section(s), Township(s) and Range(s) \_\_\_\_\_  
NW1/4 Sec.14 and SW1/4 Sec.11 T19N R20W

Gila Salt River Base and Meridian, Arizona.

The locality of this claim with reference to some natural object or permanent monument and additional information  
(if any) concerning its locality are as follows: \_\_\_\_\_

NW claim corner is 492'E 310'S from SW corner of Sec.14 T19N R20W

\_\_\_\_\_ The above information is shown on the attached map.

DATED AND POSTED on the ground this 29<sup>th</sup> day of November, 20 17.

LOCATOR(s)  AGENT

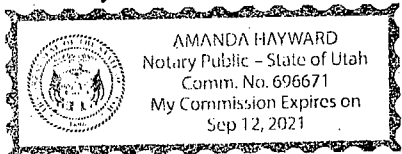
Print Name(s) Stuart Burgess

Signature(s) \_\_\_\_\_

State of Utah  
County of Salt Lake

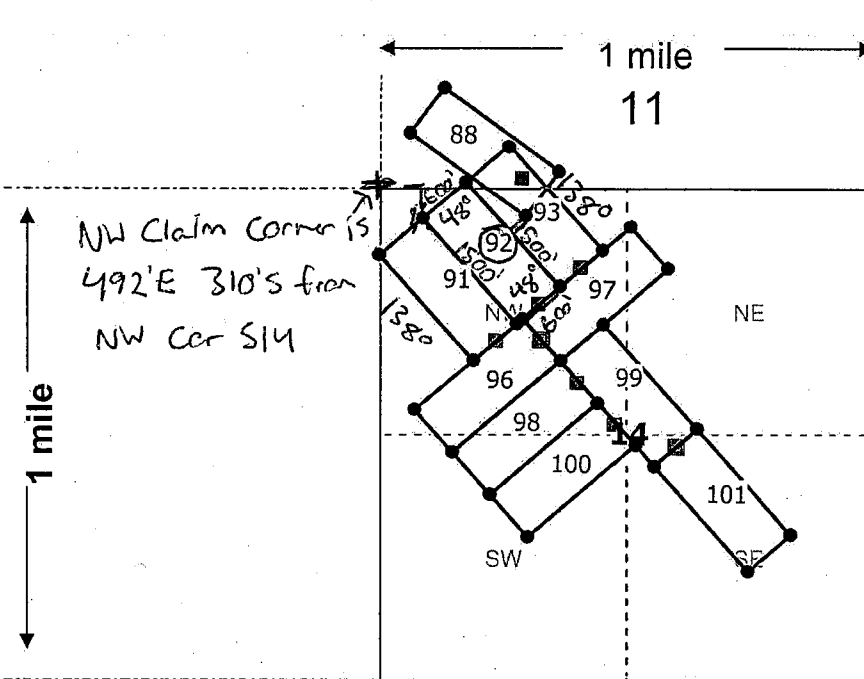
This instrument was signed and sworn to before me  
on 12/2/17 by Stuart Burgess  
(Name of signer)

\_\_\_\_\_  
(Notary Signature)  
[Affix seal/stamp to the left or below]



AH0448283

**MINING CLAIM MAP**



Lode (X) Placer ( )  
Millsite ( )

RECEIVED  
BLM AZ STATE OFFICE  
2011 DEC 20 A 10:44  
PHOENIX, ARIZONA

AMC 448283

Scale: 1" = 2000 feet



- The above map depicts the GRMC 92 mining claim, which is located in Section (s) 11, 14, Township 19 N, Range 20 W, Gila and Salt River Base and Meridian, Mohave County, Arizona. Total claim acreage is 20
- The type of corner and location monuments used are as follows: 2"X2"X50" wooden posts with metal tags or rock monument
- The bearings and distances in degrees and feet between claim corners and to a public land survey monument are as depicted on the map.
- If the claim is a placer or millsite claim with exterior limits conforming to legal subdivisions of the public survey, provide a legal description of the claim \_\_\_\_\_

Form MCF100a  
Revised July 2014

2E

Gold Road Mining Corp.  
Suite 450, 1090 West Georgia Street  
Vancouver, BC V6E 3V7 Canada

WHEN RECORDED MAIL TO (MC):

FENNEMORE CRAIG  
2394 EAST CAMELBACK RD  
SUITE 600  
PHOENIX AZ 85016

FEE# 2017062272

OFFICIAL RECORDS  
OF MOHAVE COUNTY  
KRISTI BLAIR,  
COUNTY RECORDER



12/26/2017 02:27 PM Fee: \$10.00

PAGE: 1 of 2

LOCATION NOTICE FOR LODE MINING CLAIM

Amendment BLM Serial # \_\_\_\_\_

NOTICE IS HEREBY GIVEN that the GRMC 93  
\_\_\_\_\_ lode mining claim has been located  
by Gold Road Mining Corp. whose current mailing  
address is Suite 450, 1090 West Georgia Street  
Vancouver, BC V6E 3V7 Canada

RECEIVED  
BLM AZ STATE OFFICE  
2017 DEC 20 A 10:44  
PHOENIX, ARIZONA  
BLM  
Date  
Stamp

The general course of this claim is Northwest-Southeast and it is situated in Mohave  
County, Arizona. This claim is 1500 feet in length and 600 feet in width.

20 Total Claim Acreage. This claim runs from the location monument on which this location notice  
is posted on the centerline of the claim approximately 20 feet in a SE direction to the SE  
end line and 1480 feet in a NW direction to the NW end line. This claim is marked by six  
monuments, one at each corner and one at the center of each end line of the claim.

The location monument on which this notice is posted is situated within Section 14, Township 19  
N, Range 20 W, Gila Salt River Base and Meridian, Arizona and this claim encompasses portions  
of the following quarter section(s), section(s), Township(s) and Range(s) \_\_\_\_\_  
SW1/4 Sec.11 and NW1/4 S14 T19N R20W

Gila Salt River Base and Meridian, Arizona.

The locality of this claim with reference to some natural object or permanent monument and additional information  
(if any) concerning its locality are as follows: \_\_\_\_\_

NW claim corner is 4,318'W 5,198'S from NE corner of Sec.11 T19N R20W

\_\_\_\_\_ The above information is shown on the attached map.

DATED AND POSTED on the ground this 29th day of November, 20 17.

LOCATOR(s)  AGENT

Print Name(s) Stuart Burgess

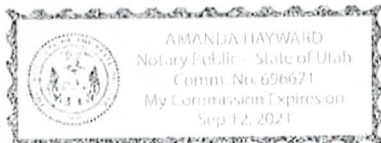
Signature(s) \_\_\_\_\_

State of Utah  
County of Salt Lake

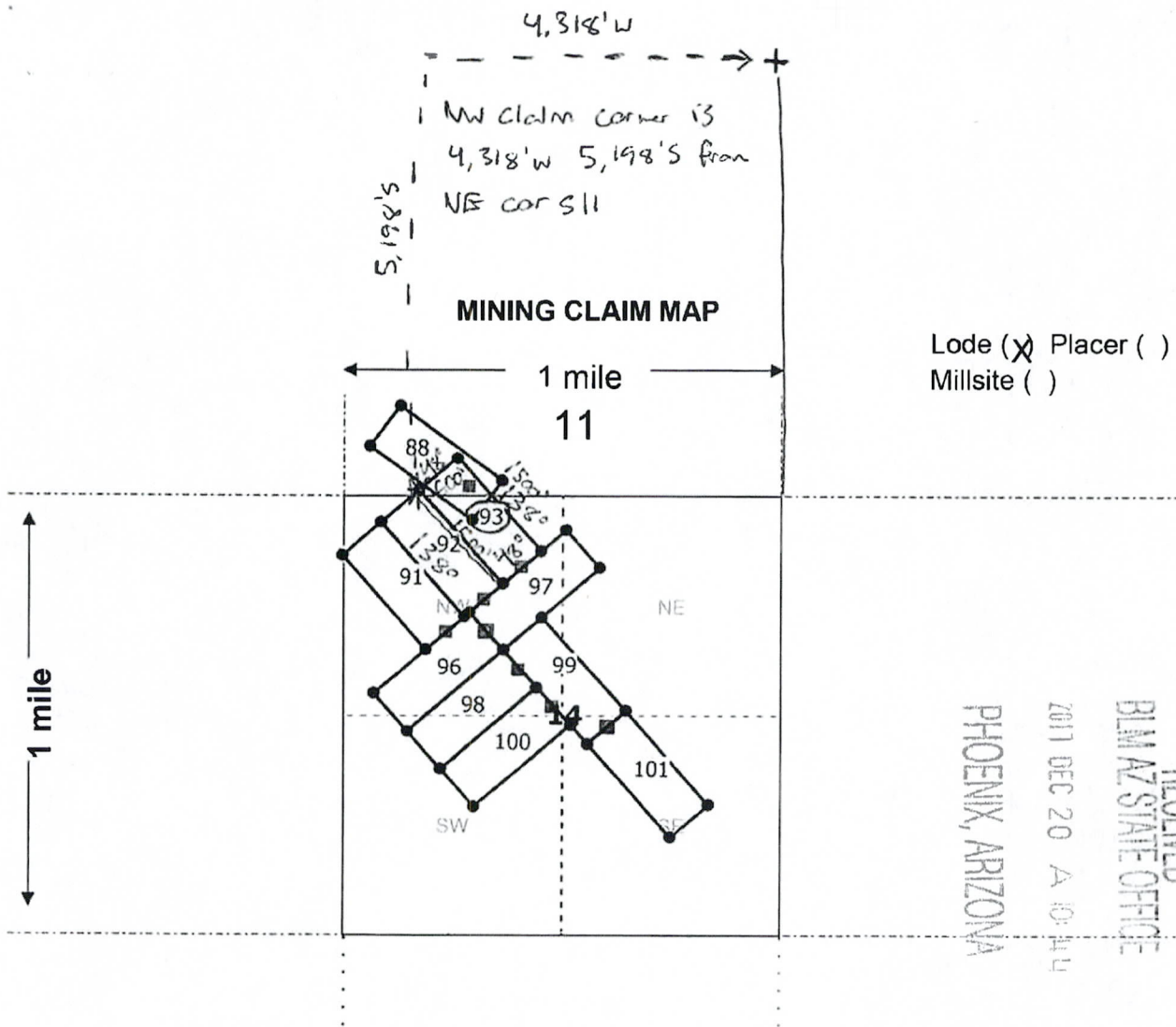
This instrument was signed and sworn to before me  
on 12/2/17 by Stuart Burgess  
(Name of signer)

\_\_\_\_\_  
(Notary Signature)

[Affix seal/stamp to the left or below]



AMC448284



AMC 448284

1. The above map depicts the GRMC 93 mining claim, which is located in Section (s) 11, 14, Township 19 N, Range 20 W, Gila and Salt River Base and Meridian, Mohave County, Arizona. Total claim acreage is 20

2. The type of corner and location monuments used are as follows: 2"X2"X50" wooden posts with metal tags or rock monument

3. The bearings and distances in degrees and feet between claim corners and to a public land survey monument are as depicted on the map.

4. If the claim is a placer or millsite claim with exterior limits conforming to legal subdivisions of the public survey, provide a legal description of the claim \_\_\_\_\_

Form MCF100a  
Revised July 2014

Gold Road Mining Corp.  
Suite 450, 1090 West Georgia Street  
Vancouver, BC V6E 3V7 Canada

**LOCATION NOTICE FOR LODE MINING CLAIM**

Amendment BLM Serial # \_\_\_\_\_

NOTICE IS HEREBY GIVEN that the GRMC 93

\_\_\_\_\_ lode mining claim has been located  
by Gold Road Mining Corp. whose current mailing  
address is Suite 450, 1090 West Georgia Street  
Vancouver, BC V6E 3V7 Canada

BLM  
Date  
Stamp

RECEIVED  
BLM AZ STATE OFFICE  
2017 DEC 20 A 10:44  
PHOENIX, ARIZONA

The general course of this claim is Northwest-Southeast and it is situated in Mohave  
County, Arizona. This claim is 1500 feet in length and 600 feet in width.

20 Total Claim Acreage. This claim runs from the location monument on which this location notice  
is posted on the centerline of the claim approximately 20 feet in a SE direction to the SE  
end line and 1480 feet in a NW direction to the NW end line. This claim is marked by six  
monuments, one at each corner and one at the center of each end line of the claim.

The location monument on which this notice is posted is situated within Section 14, Township 19  
N, Range 20 W, Gila Salt River Base and Meridian, Arizona and this claim encompasses portions  
of the following quarter section(s), section(s), Township(s) and Range(s) \_\_\_\_\_  
SW1/4 Sec.11 and NW1/4 S14 T19N R20W

Gila Salt River Base and Meridian, Arizona.

The locality of this claim with reference to some natural object or permanent monument and additional information  
(if any) concerning its locality are as follows: \_\_\_\_\_

NW claim corner is 4,318'W 5,198'S from NE corner of Sec.11 T19N R20W

\_\_\_\_\_ The above information is shown on the attached map.

DATED AND POSTED on the ground this 29th day of November, 20 17.

LOCATOR(s)  AGENT

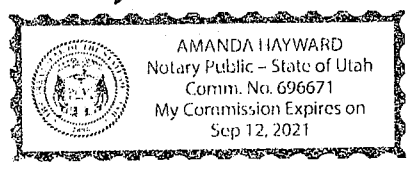
Print Name(s) Stuart Burgess

Signature(s) \_\_\_\_\_

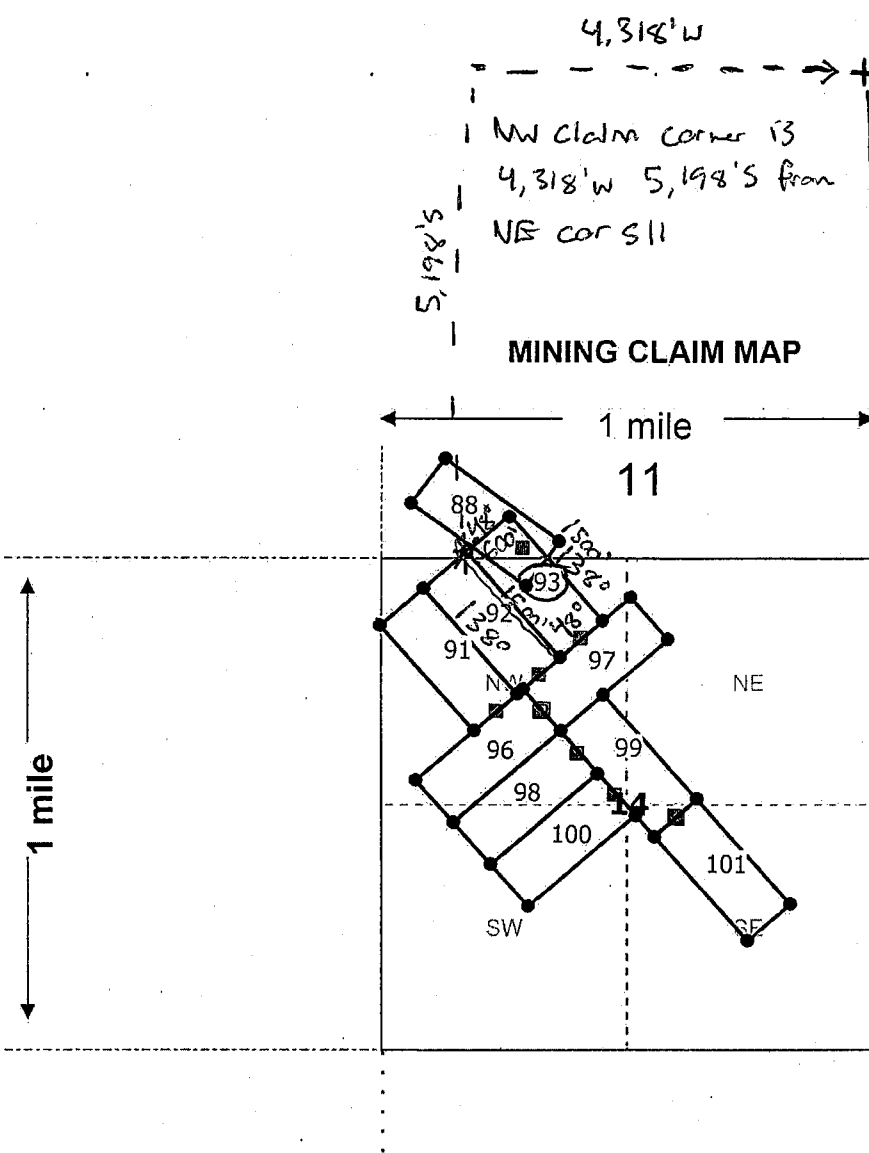
State of Utah  
County of Salt Lake

This instrument was signed and sworn to before me  
on 12/2/17 by Stuart Burgess  
(Name of signer)

\_\_\_\_\_  
(Notary Signature)  
[Affix seal/stamp to the left or below]



AMC 448284



Lode (X) Placer ( )  
Millsite ( )

RECEIVED  
BLM AZ STATE OFFICE  
2011 DEC 20 A 10:44  
PHOENIX, ARIZONA

AMC 448284

Scale: 1" = 2000 feet



- The above map depicts the GRMC 93 mining claim, which is located in Section (s) 11, 14, Township 19 N, Range 20 W, Gila and Salt River Base and Meridian, Mohave County, Arizona. Total claim acreage is 20
- The type of corner and location monuments used are as follows: 2"X2"X50" wooden posts with metal tags or rock monument
- The bearings and distances in degrees and feet between claim corners and to a public land survey monument are as depicted on the map.
- If the claim is a placer or millsite claim with exterior limits conforming to legal subdivisions of the public survey, provide a legal description of the claim \_\_\_\_\_

Form MCF100a  
Revised July 2014

This form is available from the Arizona Geology Survey and may be reproduced.



2E

Gold Road Mining Corp.  
Suite 450, 1090 West Georgia Street  
Vancouver, BC V6E 3V7 Canada

**FEE# 2017062273**

OFFICIAL RECORDS  
OF MOHAVE COUNTY  
KRISTI BLAIR,  
COUNTY RECORDER



12/26/2017 02:27 PM Fee: \$10.00

PAGE: 1 of 2

WHEN RECORDED MAIL TO (MC):

FENNEMORE CRAIG  
2394 EAST CAMELBACK RD  
SUITE 600  
PHOENIX AZ 85016

**LOCATION NOTICE FOR LODE MINING CLAIM**

Amendment BLM Serial # \_\_\_\_\_

NOTICE IS HEREBY GIVEN that the GRMC 94  
\_\_\_\_\_ lode mining claim has been located  
by Gold Road Mining Corp. whose current mailing  
address is Suite 450, 1090 West Georgia Street  
Vancouver, BC V6E 3V7 Canada

RECEIVED  
BLM AZ STATE OFFICE  
2017 DEC 20 A 10:44  
PHOENIX, ARIZONA

BLM  
Date  
Stamp

The general course of this claim is Northwest-Southeast and it is situated in Mohave  
County, Arizona. This claim is 1500 feet in length and 600 feet in width.

20 Total Claim Acreage. This claim runs from the location monument on which this location notice  
is posted on the centerline of the claim approximately 20 feet in a NW direction to the NW  
end line and 1480 feet in a SE direction to the SE end line. This claim is marked by six  
monuments, one at each corner and one at the center of each end line of the claim.

The location monument on which this notice is posted is situated within Section 15, Township 19  
N, Range 20 W, Gila Salt River Base and Meridian, Arizona and this claim encompasses portions  
of the following quarter section(s), section(s), Township(s) and Range(s) \_\_\_\_\_  
SW1/4, SE1/4 Sec.15 and NE1/4 Sec.22 T19N R20W

Gila Salt River Base and Meridian, Arizona.

The locality of this claim with reference to some natural object or permanent monument and additional information  
(if any) concerning its locality are as follows: \_\_\_\_\_

NW claim corner is 2,076'E 893'N from SW corner of Sec.15 T19N R20W

\_\_\_\_\_ The above information is shown on the attached map.

DATED AND POSTED on the ground this 29th day of November, 20 17.

LOCATOR(s)  AGENT

Print Name(s) Stuart Burgess

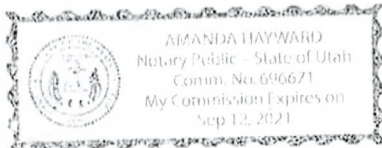
Signature(s) \_\_\_\_\_

State of Utah  
County of Salt Lake

This instrument was signed and sworn to before me  
on 12/2/17 by Stuart Burgess  
(Name of signer)

AMH  
(Notary Signature)

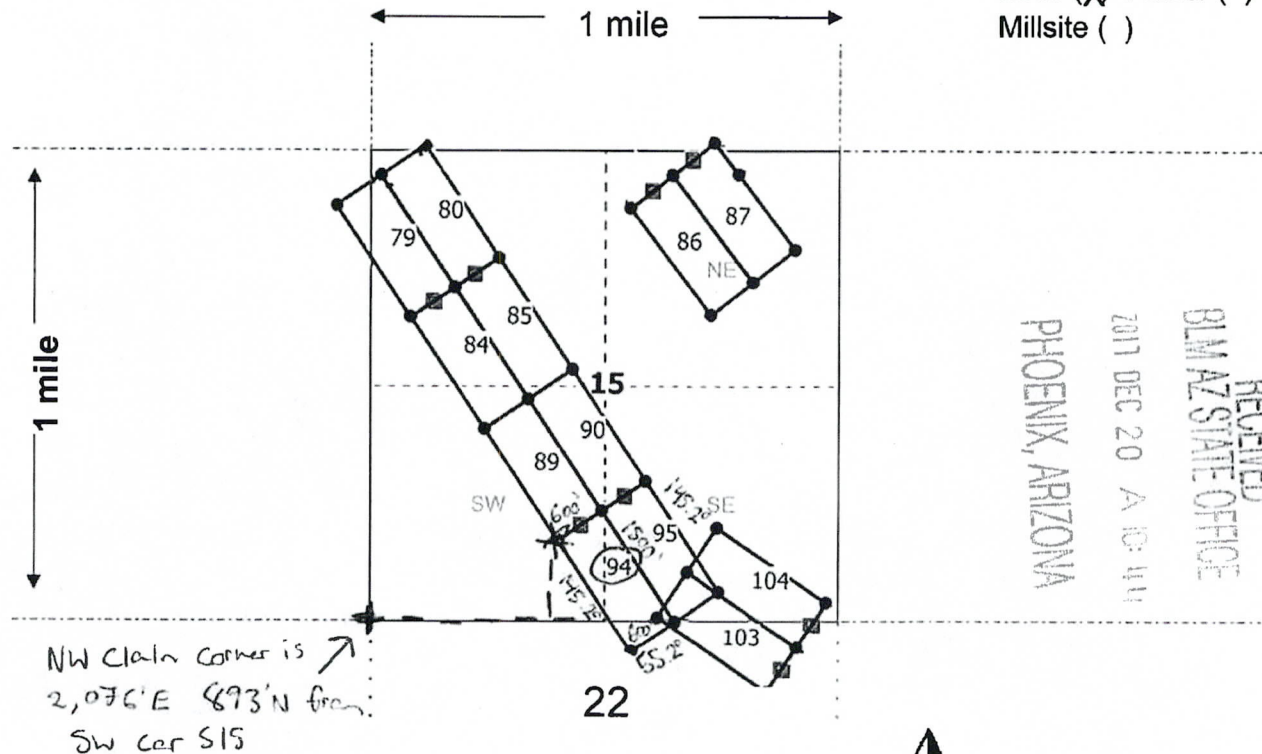
[Affix seal/stamp to the left or below]



AMC 448285

**MINING CLAIM MAP**

Lode (X) Placer ( )  
Millsite ( )



AMC 48285

- The above map depicts the GRMC 94 mining claim, which is located in Section (s) 15, 22, Township 19 N, Range 20 W, Gila and Salt River Base and Meridian, Mohave County, Arizona. Total claim acreage is 20
- The type of corner and location monuments used are as follows: 2"X2"X50" wooden posts with metal tags or rock monument
- The bearings and distances in degrees and feet between claim corners and to a public land survey monument are as depicted on the map.
- If the claim is a placer or millsite claim with exterior limits conforming to legal subdivisions of the public survey, provide a legal description of the claim \_\_\_\_\_

**Form MCF100a**  
Revised July 2014

Gold Road Mining Corp.  
Suite 450, 1090 West Georgia Street  
Vancouver, BC V6E 3V7 Canada

LOCATION NOTICE FOR LODE MINING CLAIM

Amendment BLM Serial # \_\_\_\_\_

NOTICE IS HEREBY GIVEN that the GRMC 94

\_\_\_\_\_ lode mining claim has been located

by Gold Road Mining Corp whose current mailing  
address is Suite 450, 1090 West Georgia Street  
Vancouver, BC V6E 3V7 Canada

RECEIVED  
BLM AZ STATE OFFICE  
2017 DEC 20 A 10:44  
PHOENIX, ARIZONA  
BLM  
Date  
Stamp

The general course of this claim is Northwest-Southeast and it is situated in Mohave  
County, Arizona. This claim is 1500 feet in length and 600 feet in width.

20 Total Claim Acreage. This claim runs from the location monument on which this location notice  
is posted on the centerline of the claim approximately 20 feet in a NW direction to the NW  
end line and 1480 feet in a SE direction to the SE end line. This claim is marked by six  
monuments, one at each corner and one at the center of each end line of the claim.

The location monument on which this notice is posted is situated within Section 15, Township 19  
N, Range 20 W, Gila Salt River Base and Meridian, Arizona and this claim encompasses portions  
of the following quarter section(s), section(s), Township(s) and Range(s) \_\_\_\_\_  
SW1/4, SE1/4 Sec.15 and NE1/4 Sec.22 T19N R20W

Gila Salt River Base and Meridian, Arizona.

The locality of this claim with reference to some natural object or permanent monument and additional information  
(if any) concerning its locality are as follows: \_\_\_\_\_

NW claim corner is 2,076'E 893'N from SW corner of Sec.15 T19N R20W

\_\_\_\_\_ The above information is shown on the attached map.

DATED AND POSTED on the ground this 29<sup>th</sup> day of November, 20 17.

LOCATOR(s)  AGENT

Print Name(s) Stuart Burgess

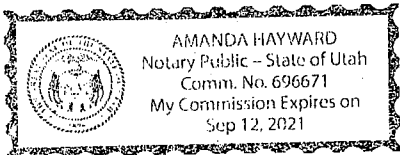
Signature(s) \_\_\_\_\_

State of Utah  
County of Salt Lake

This instrument was signed and sworn to before me  
on 12/2/17 by Stuart Burgess  
(Name of signer)

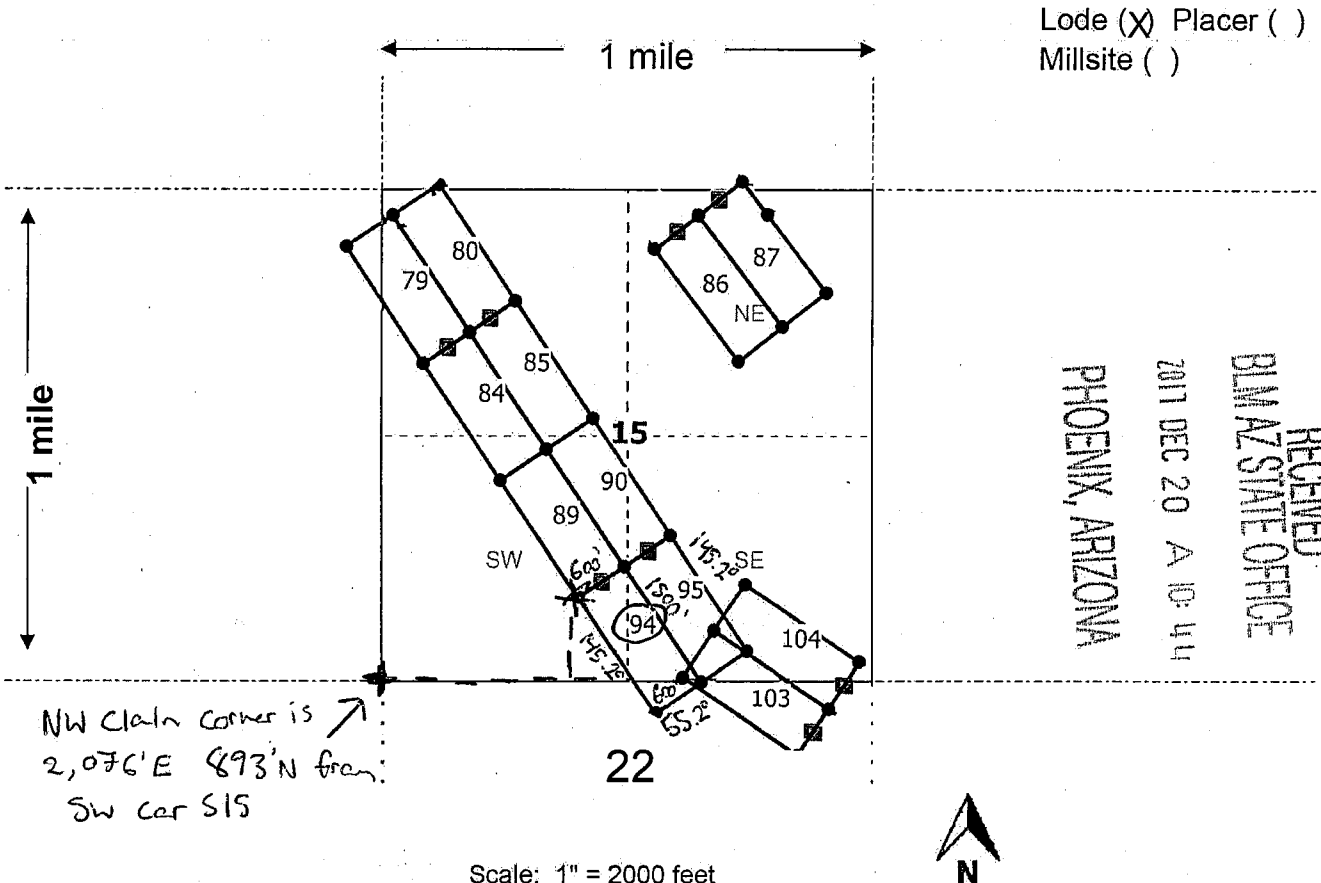
AMH

(Notary Signature)  
[Affix seal/stamp to the left or below]



AMC448285

**MINING CLAIM MAP**



Lode (X) Placer ( )  
Millsite ( )

RECEIVED  
BIAAZ STATE OFFICE  
2011 DEC 20 A 10:44  
PHOENIX, ARIZONA

NW claim corner is  
2,076' E 893' N from  
SW cor S15

Scale: 1" = 2000 feet

1. The above map depicts the GRMC 94 mining claim, which is located in Section (s) 15, 22, Township 19 N, Range 20 W, Gila and Salt River Base and Meridian, Mohave County, Arizona. Total claim acreage is 20

2. The type of corner and location monuments used are as follows: 2"X2"X50" wooden posts with metal tags or rock monument

3. The bearings and distances in degrees and feet between claim corners and to a public land survey monument are as depicted on the map.

4. If the claim is a placer or millsite claim with exterior limits conforming to legal subdivisions of the public survey, provide a legal description of the claim \_\_\_\_\_

Form MCF100a  
Revised July 2014

This form is available from the Arizona Geology Survey and may be reproduced.

AMC448285

2E

Gold Road Mining Corp.  
Suite 450, 1090 West Georgia Street  
Vancouver, BC V6E 3V7 Canada

WHEN RECORDED MAIL TO (MC):

FENNEMORE CRAIG  
2394 EAST CAMELBACK RD  
SUITE 600  
PHOENIX AZ 85016

FEE# 2017062274

OFFICIAL RECORDS  
OF MOHAVE COUNTY  
KRISTI BLAIR,  
COUNTY RECORDER



12/26/2017 02:27 PM Fee: \$10.00

PAGE: 1 of 2

LOCATION NOTICE FOR LODE MINING CLAIM

Amendment BLM Serial # \_\_\_\_\_

NOTICE IS HEREBY GIVEN that the GRMC 95  
\_\_\_\_\_ lode mining claim has been located  
by Gold Road Mining Corp. whose current mailing  
address is Suite 450, 1090 West Georgia Street  
Vancouver, BC V6E 3V7 Canada

RECEIVED  
BLM AZ STATE OFFICE  
PHOENIX, ARIZONA  
DEC 20 AM 10:43

BLM  
Date  
Stamp

The general course of this claim is Northwest-Southeast and it is situated in Mohave  
County, Arizona. This claim is 1500 feet in length and 600 feet in width.

20 Total Claim Acreage. This claim runs from the location monument on which this location notice  
is posted on the centerline of the claim approximately 20 feet in a NW direction to the NW  
end line and 1480 feet in a SE direction to the SE end line. This claim is marked by six  
monuments, one at each corner and one at the center of each end line of the claim.

The location monument on which this notice is posted is situated within Section 15, Township 19  
N, Range 20 W, Gila Salt River Base and Meridian, Arizona and this claim encompasses portions  
of the following quarter section(s), section(s), Township(s) and Range(s) \_\_\_\_\_  
SW1/4, SE1/4 Sec.15 and NE1/4 Sec.22 T19N R20W

Gila Salt River Base and Meridian, Arizona.

The locality of this claim with reference to some natural object or permanent monument and additional information  
(if any) concerning its locality are as follows: \_\_\_\_\_

NW claim corner is 2,574'E 1,223'N from SW corner of Sec.15 T19N R20W

\_\_\_\_\_ The above information is shown on the attached map.

DATED AND POSTED on the ground this 22<sup>nd</sup> day of November, 20 17.

LOCATOR(s)  AGENT

Print Name(s) Stuart Burgess

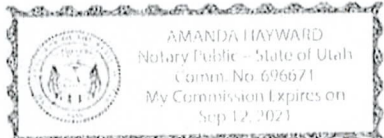
Signature(s) \_\_\_\_\_

State of Utah  
County of Salt Lake

This instrument was signed and sworn to before me  
on 12/2/17 by Stuart Burgess  
(Name of signer)

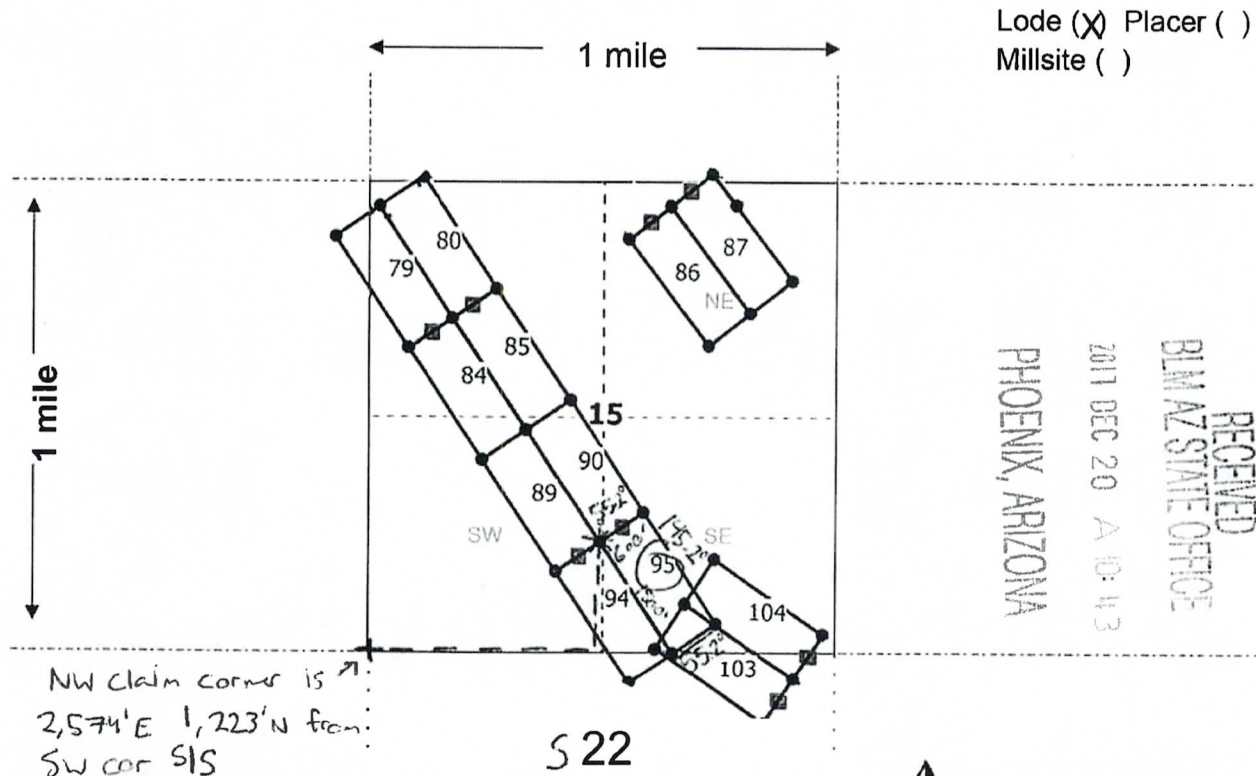
ASH  
(Notary Signature)

[Affix seal/stamp to the left or below]



AMC448286

**MINING CLAIM MAP**



NW claim corner is 2,574'E 1,223'N from SW cor S15

S 22

Scale: 1" = 2000 feet



Lode (X) Placer ( )  
Millsite ( )

RECEIVED  
BLM AZ STATE OFFICE  
PHOENIX, ARIZONA  
2011 DEC 20 A 10:43

AMC448286

1. The above map depicts the GRMC 95 mining claim, which is located in Section (s) 15,22, Township 19 N, Range 20 W, Gila and Salt River Base and Meridian, Mohave County, Arizona. Total claim acreage is 20

2. The type of corner and location monuments used are as follows: 2"X2"X50" wooden posts with metal tags or rock monument

3. The bearings and distances in degrees and feet between claim corners and to a public land survey monument are as depicted on the map.

4. If the claim is a placer or millsite claim with exterior limits conforming to legal subdivisions of the public survey, provide a legal description of the claim \_\_\_\_\_

Form MCF100a  
Revised July 2014

This form is available from the Arizona Geology Survey and may be reproduced.

Gold Road Mining Corp.  
Suite 450, 1090 West Georgia Street  
Vancouver, BC V6E 3V7 Canada

LOCATION NOTICE FOR LODE MINING CLAIM

Amendment BLM Serial # \_\_\_\_\_

NOTICE IS HEREBY GIVEN that the GRMC 95  
\_\_\_\_\_ lode mining claim has been located  
by Gold Road Mining Corp. whose current mailing  
address is Suite 450, 1090 West Georgia Street  
Vancouver, BC V6E 3V7 Canada

RECEIVED  
BLM AZ STATE OFFICE  
2017 DEC 20 A 10:43  
PHOENIX, ARIZONA  
BLM  
Date  
Stamp

The general course of this claim is Northwest-Southeast and it is situated in Mohave  
County, Arizona. This claim is 1500 feet in length and 600 feet in width.

20 Total Claim Acreage. This claim runs from the location monument on which this location notice  
is posted on the centerline of the claim approximately 20 feet in a NW direction to the NW  
end line and 1480 feet in a SE direction to the SE end line. This claim is marked by six  
monuments, one at each corner and one at the center of each end line of the claim.

The location monument on which this notice is posted is situated within Section 15, Township 19  
N, Range 20 W, Gila Salt River Base and Meridian, Arizona and this claim encompasses portions  
of the following quarter section(s), section(s), Township(s) and Range(s) \_\_\_\_\_  
SW1/4, SE1/4 Sec.15 and NE1/4 Sec.22 T19N R20W

Gila Salt River Base and Meridian, Arizona.

The locality of this claim with reference to some natural object or permanent monument and additional information  
(if any) concerning its locality are as follows: \_\_\_\_\_

NW claim corner is 2,574'E 1,223'N from SW corner of Sec.15 T19N R20W

\_\_\_\_\_ The above information is shown on the attached map.

DATED AND POSTED on the ground this 29<sup>th</sup> day of November, 20 17.

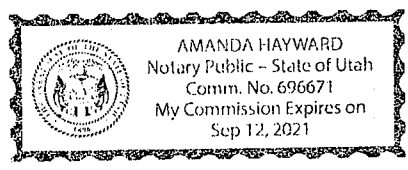
LOCATOR(s)  AGENT

Print Name(s) Stuart Burgess  
Signature(s) \_\_\_\_\_

State of Utah  
County of Salt Lake

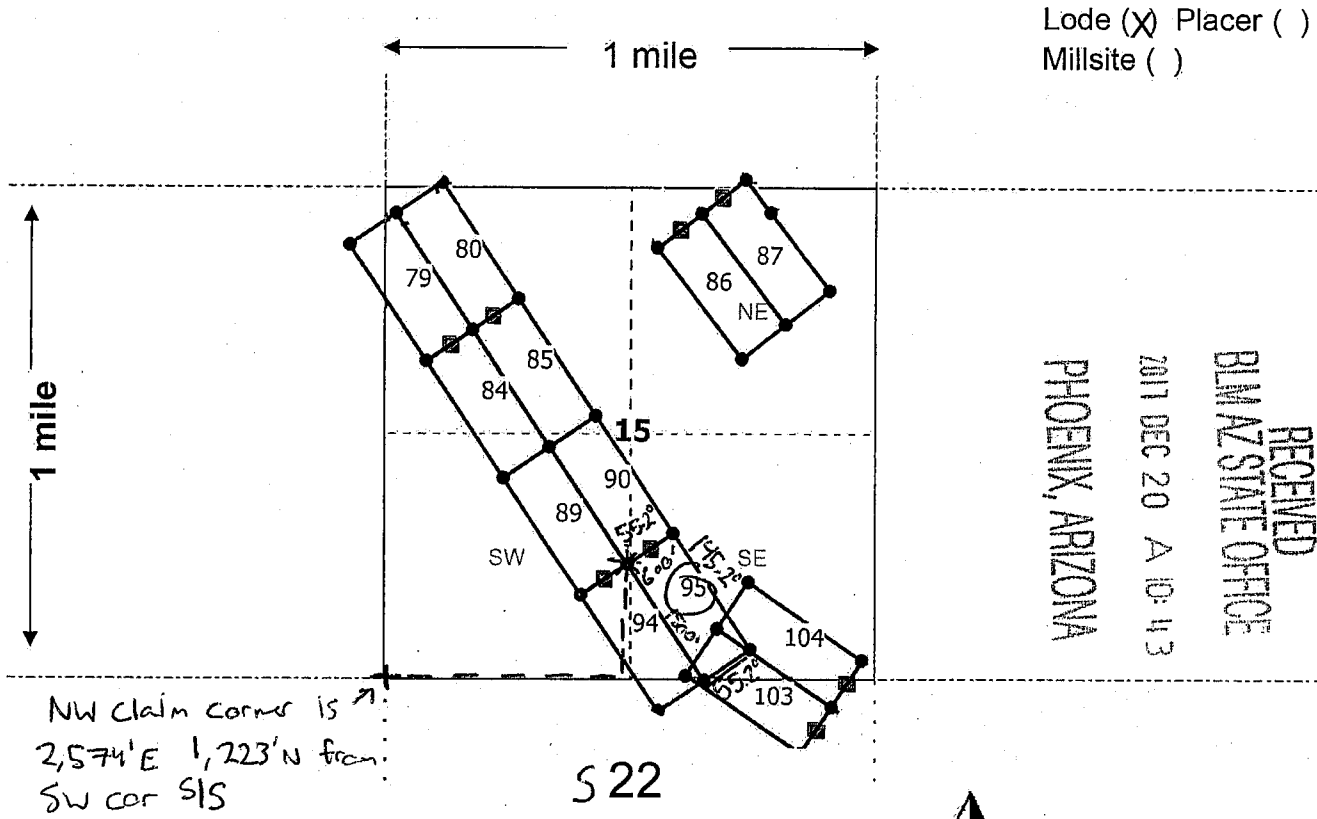
This instrument was signed and sworn to before me  
on 12/2/17 by Stuart Burgess  
(Name of signer)

AmH  
(Notary Signature)  
[Affix seal/stamp to the left or below]



AMC448286

**MINING CLAIM MAP**



RECEIVED  
 BLM ARIZONA STATE OFFICE  
 2017 DEC 20 A 10:43  
 PHOENIX, ARIZONA

AMC 448286

NW claim corner is 2,574' E 1,223' N from SW cor S1S

Scale: 1" = 2000 feet

1. The above map depicts the GRMC 95 mining claim, which is located in Section (s) 15, 22, Township 19 N, Range 20 W, Gila and Salt River Base and Meridian, Mohave County, Arizona. Total claim acreage is 20

2. The type of corner and location monuments used are as follows: 2"X2"X50" wooden posts with metal tags or rock monument

3. The bearings and distances in degrees and feet between claim corners and to a public land survey monument are as depicted on the map.

4. If the claim is a placer or millsite claim with exterior limits conforming to legal subdivisions of the public survey, provide a legal description of the claim \_\_\_\_\_

Form MCF100a  
Revised July 2014



2E

Gold Road Mining Corp.  
Suite 450, 1090 West Georgia Street  
Vancouver, BC V6E 3V7 Canada

WHEN RECORDED MAIL TO (MC):

FENNEMORE CRAIG  
2394 EAST CAMELBACK RD  
SUITE 600  
PHOENIX AZ 85016

**FEE# 2017062275**

OFFICIAL RECORDS  
OF MOHAVE COUNTY  
KRISTI BLAIR,  
COUNTY RECORDER



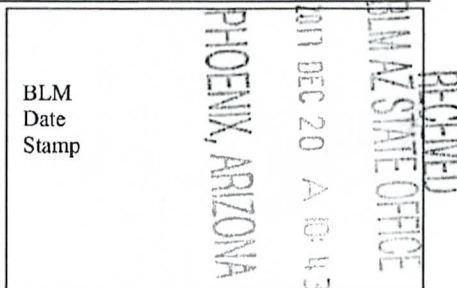
12/26/2017 02:27 PM Fee: \$10.00

PAGE: 1 of 2

**LOCATION NOTICE FOR LODE MINING CLAIM**

Amendment BLM Serial # \_\_\_\_\_

NOTICE IS HEREBY GIVEN that the GRMC 96  
\_\_\_\_\_ lode mining claim has been located  
by Gold Road Mining Corp whose current mailing  
address is Suite 450, 1090 West Georgia Street  
Vancouver, BC V6E 3V7 Canada



The general course of this claim is Northwest-Southeast and it is situated in Mohave  
County, Arizona. This claim is 1500 feet in length and 600 feet in width.

20 Total Claim Acreage. This claim runs from the location monument on which this location notice  
is posted on the centerline of the claim approximately 20 feet in a NE direction to the NE  
end line and 1480 feet in a SW direction to the SW end line. This claim is marked by six  
monuments, one at each corner and one at the center of each end line of the claim.

The location monument on which this notice is posted is situated within Section 14, Township 19  
N, Range 20 W, Gila Salt River Base and Meridian, Arizona and this claim encompasses portions  
of the following quarter section(s), section(s), Township(s) and Range(s) \_\_\_\_\_  
NW1/4, SW1/4 Sec.14 T19N R20W

Gila Salt River Base and Meridian, Arizona.

The locality of this claim with reference to some natural object or permanent monument and additional information  
(if any) concerning its locality are as follows: \_\_\_\_\_

NW claim corner is 389'E 2,368'S from NW corner of Sec.14 T19N R20W

\_\_\_\_\_ The above information is shown on the attached map.

DATED AND POSTED on the ground this 29th day of November, 20 17.

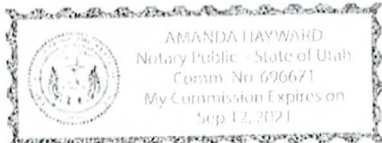
LOCATOR(s)  AGENT

Print Name(s) Stuart Burgess

Signature(s) \_\_\_\_\_

State of Utah  
County of Salt Lake

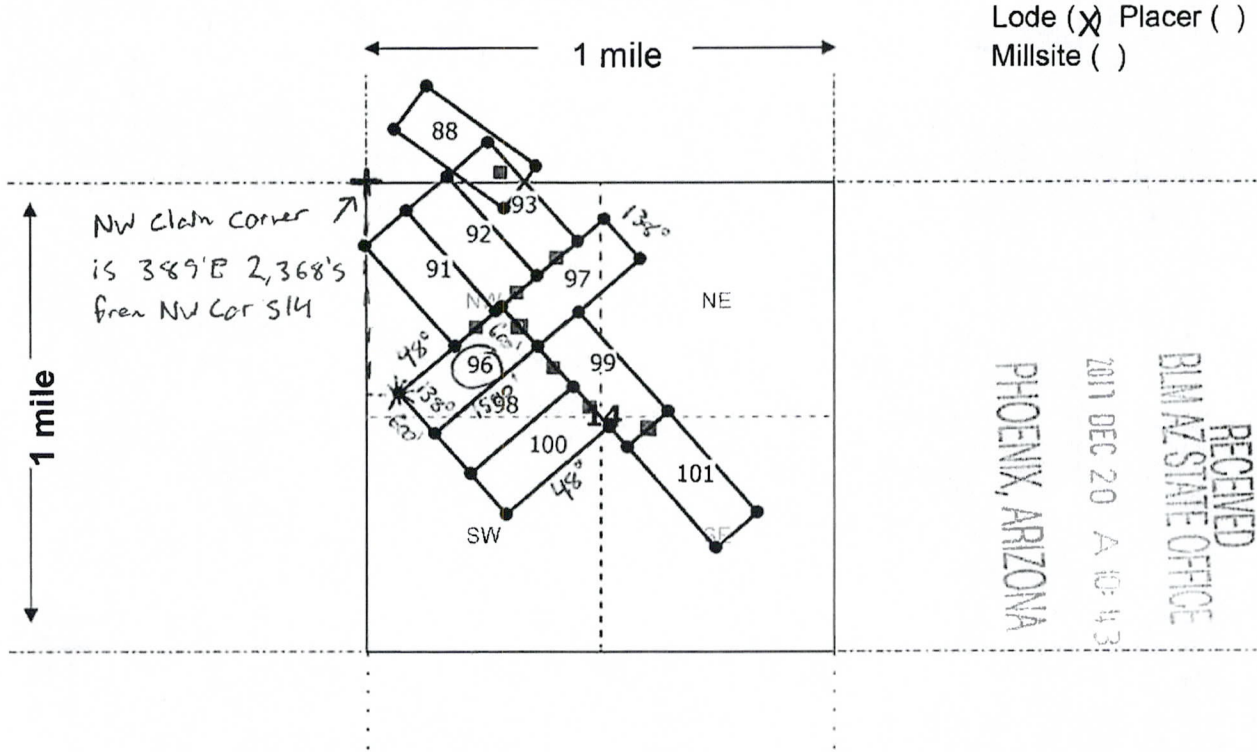
This instrument was signed and sworn to before me  
on 12/2/17 by Stuart Burgess  
(Name of signer)



\_\_\_\_\_  
(Notary Signature)  
[Affix seal/stamp to the left or below]

AMC448287

**MINING CLAIM MAP**



- Scale: 1" = 2000 feet
- The above map depicts the GRMC 96 mining claim, which is located in Section (s) 14, Township 19 N, Range 20 W, Gila and Salt River Base and Meridian, Mohave County, Arizona. Total claim acreage is 20
  - The type of corner and location monuments used are as follows: 2"X2"X50" wooden posts with metal tags or rock monument
  - The bearings and distances in degrees and feet between claim corners and to a public land survey monument are as depicted on the map.
  - If the claim is a placer or millsite claim with exterior limits conforming to legal subdivisions of the public survey, provide a legal description of the claim \_\_\_\_\_

Form MCF100a  
Revised July 2014

This form is available from the **Arizona Geology Survey** and may be reproduced.

AMC448287

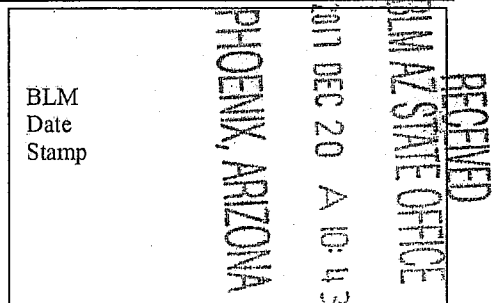
Gold Road Mining Corp.  
Suite 450, 1090 West Georgia Street  
Vancouver, BC V6E 3V7 Canada

**LOCATION NOTICE FOR LODE MINING CLAIM**

Amendment BLM Serial # \_\_\_\_\_

NOTICE IS HEREBY GIVEN that the GRMC 96

\_\_\_\_\_ lode mining claim has been located  
by Gold Road Mining Corp whose current mailing  
address is Suite 450, 1090 West Georgia Street  
Vancouver, BC V6E 3V7 Canada



BLM  
Date  
Stamp

The general course of this claim is Northwest-Southeast and it is situated in Mohave  
County, Arizona. This claim is 1500 feet in length and 600 feet in width.

20 Total Claim Acreage. This claim runs from the location monument on which this location notice  
is posted on the centerline of the claim approximately 20 feet in a NE direction to the NE  
end line and 1480 feet in a SW direction to the SW end line. This claim is marked by six  
monuments, one at each corner and one at the center of each end line of the claim.

The location monument on which this notice is posted is situated within Section 14, Township 19  
N, Range 20 W, Gila Salt River Base and Meridian, Arizona and this claim encompasses portions  
of the following quarter section(s), section(s), Township(s) and Range(s) \_\_\_\_\_  
NW1/4, SW1/4 Sec.14 T19N R20W

Gila Salt River Base and Meridian, Arizona.

The locality of this claim with reference to some natural object or permanent monument and additional information  
(if any) concerning its locality are as follows: \_\_\_\_\_

NW claim corner is 389'E 2,368'S from NW corner of Sec.14 T19N R20W

\_\_\_\_\_ The above information is shown on the attached map.

DATED AND POSTED on the ground this 29th day of November, 20 17.

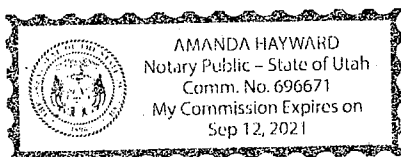
LOCATOR(s)  AGENT

Print Name(s) Stuart Burgess

Signature(s) \_\_\_\_\_

State of Utah  
County of Salt Lake

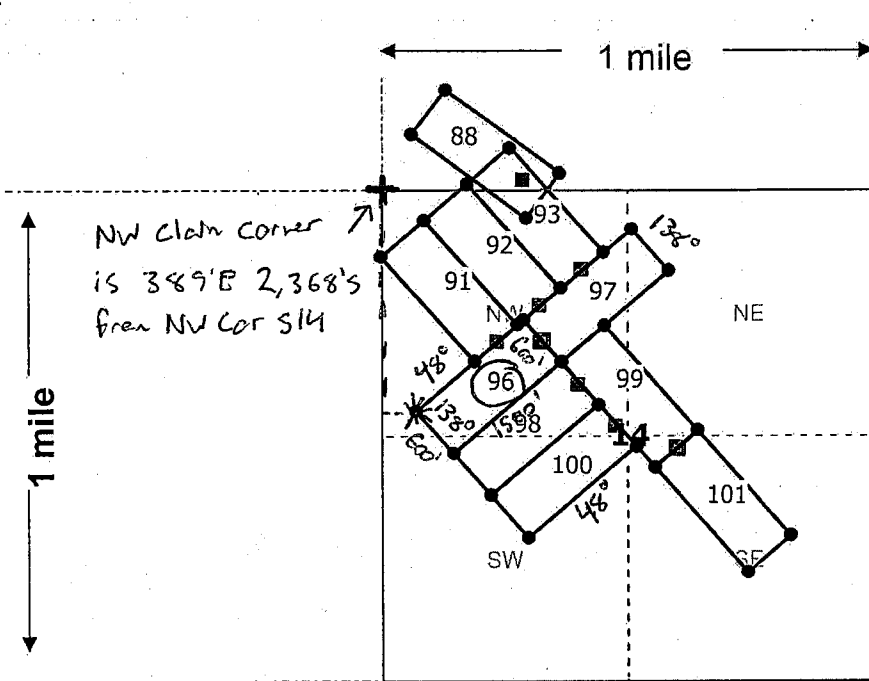
This instrument was signed and sworn to before me  
on 12/12/17 by Stuart Burgess  
(Name of signer)



AmH  
(Notary Signature)  
[Affix seal/stamp to the left or below]

AMC 448287

**MINING CLAIM MAP**



Lode (X) Placer ( )  
Millsite ( )

RECEIVED  
BIAZ STATE OFFICE  
2017 DEC 20 A 10:43  
PHOENIX, ARIZONA

Scale: 1" = 2000 feet



- The above map depicts the GRMC 96 mining claim, which is located in Section (s) 14, Township 19 N, Range 20 W, Gila and Salt River Base and Meridian, Mohave County, Arizona. Total claim acreage is 20
- The type of corner and location monuments used are as follows: 2"X2"X50" wooden posts with metal tags or rock monument
- The bearings and distances in degrees and feet between claim corners and to a public land survey monument are as depicted on the map.
- If the claim is a placer or millsite claim with exterior limits conforming to legal subdivisions of the public survey, provide a legal description of the claim \_\_\_\_\_

Form MCF100a  
Revised July 2014

This form is available from the Arizona Geology Survey and may be reproduced.

AMC448287

2E

Gold Road Mining Corp.  
Suite 450, 1090 West Georgia Street  
Vancouver, BC V6E 3V7 Canada

WHEN RECORDED MAIL TO (MC):

FENNEMORE CRAIG  
2394 EAST CAMELBACK RD  
SUITE 600  
PHOENIX AZ 85016

FEE# 2017062276

OFFICIAL RECORDS  
OF MOHAVE COUNTY  
KRISTI BLAIR,  
COUNTY RECORDER



12/26/2017 02:27 PM Fee: \$10.00

PAGE: 1 of 2

LOCATION NOTICE FOR LODE MINING CLAIM

Amendment BLM Serial # \_\_\_\_\_

NOTICE IS HEREBY GIVEN that the GRMC 97  
\_\_\_\_\_ lode mining claim has been located  
by Gold Road Mining Corp. whose current mailing  
address is Suite 450, 1090 West Georgia Street  
Vancouver, BC V6E 3V7 Canada

RECEIVED  
BLM AZ STATE OFFICE  
PHOENIX, ARIZONA  
DEC 20 10:43  
BLM  
Date  
Stamp

The general course of this claim is Northwest-Southeast and it is situated in Mohave  
County, Arizona. This claim is 1500 feet in length and 600 feet in width.

20 Total Claim Acreage. This claim runs from the location monument on which this location notice  
is posted on the centerline of the claim approximately 20 feet in a SW direction to the SW  
end line and 1480 feet in a NE direction to the NE end line. This claim is marked by six  
monuments, one at each corner and one at the center of each end line of the claim.

The location monument on which this notice is posted is situated within Section 14, Township 19  
N, Range 20 W, Gila Salt River Base and Meridian, Arizona and this claim encompasses portions  
of the following quarter section(s), section(s), Township(s) and Range(s) \_\_\_\_\_  
NW1/4, NE1/4 Sec.14 T19N R20W

Gila Salt River Base and Meridian, Arizona.

The locality of this claim with reference to some natural object or permanent monument and additional information  
(if any) concerning its locality are as follows: \_\_\_\_\_

NW claim corner is 1,527'E 1,393'S from NW corner of Sec.14 T19N R20W

\_\_\_\_\_ The above information is shown on the attached map.

DATED AND POSTED on the ground this 29th day of November, 20 17.

LOCATOR(s)  AGENT

Print Name(s) Stuart Burgess

Signature(s) \_\_\_\_\_

State of Utah  
County of Salt Lake

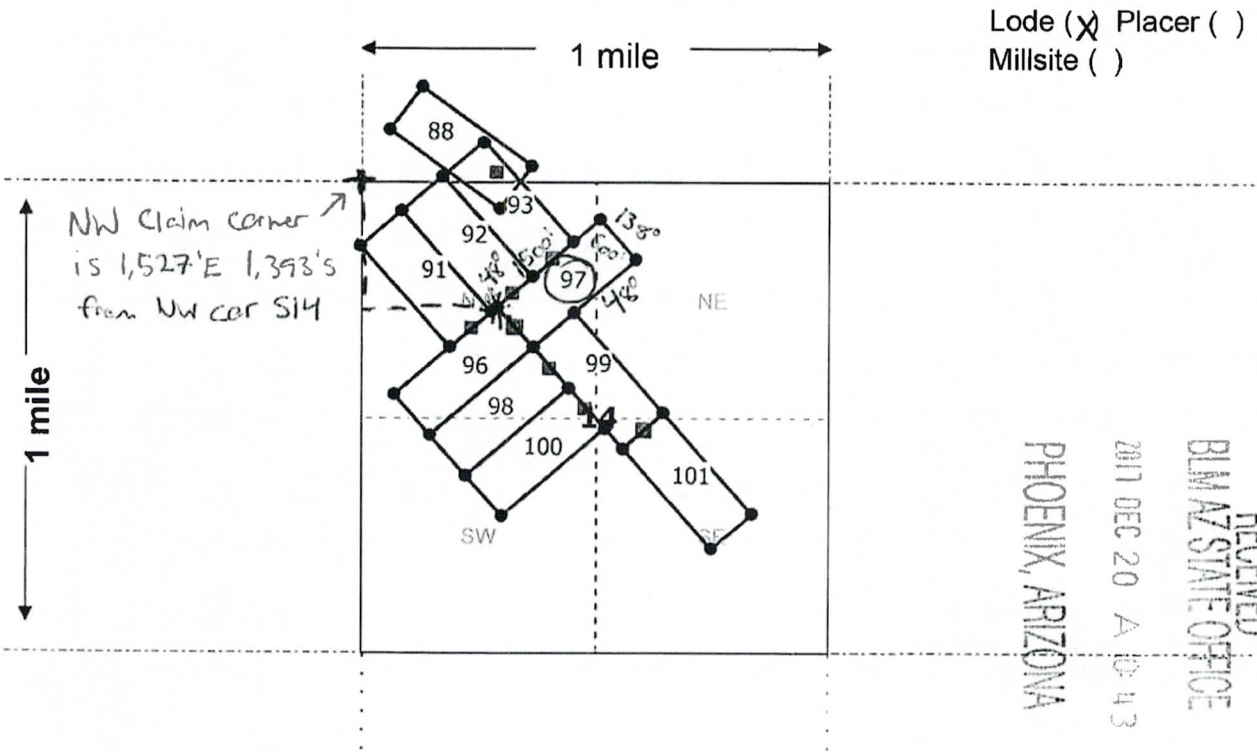
This instrument was signed and sworn to before me  
on 12/2/17 by Stuart Burgess  
(Name of signer)



\_\_\_\_\_  
(Notary Signature)  
[Affix seal/stamp to the left or below]

AMC448288

**MINING CLAIM MAP**



Scale: 1" = 2000 feet



- The above map depicts the GRMC 97 mining claim, which is located in Section (s) 14, Township 19 N, Range 20 W, Gila and Salt River Base and Meridian, Mohave County, Arizona. Total claim acreage is 20
- The type of corner and location monuments used are as follows: 2"X2"X50" wooden posts with metal tags or rock monument
- The bearings and distances in degrees and feet between claim corners and to a public land survey monument are as depicted on the map.
- If the claim is a placer or millsite claim with exterior limits conforming to legal subdivisions of the public survey, provide a legal description of the claim \_\_\_\_\_

Form MCF100a  
Revised July 2014

This form is available from the **Arizona Geology Survey** and may be reproduced.

AMC 4 8 2 8 8

Gold Road Mining Corp.  
Suite 450, 1090 West Georgia Street  
Vancouver, BC V6E 3V7 Canada

**LOCATION NOTICE FOR LODE MINING CLAIM**

Amendment BLM Serial # \_\_\_\_\_

NOTICE IS HEREBY GIVEN that the GRMC 97  
\_\_\_\_\_ lode mining claim has been located  
by Gold Road Mining Corp. whose current mailing  
address is Suite 450, 1090 West Georgia Street  
Vancouver, BC V6E 3V7 Canada

BLM  
Date  
Stamp  
PHOENIX, ARIZONA  
JAN 11 DEC 20 A 10:43  
BLM AZ STATE OFFICE

RECEIVED  
BLM AZ STATE OFFICE

The general course of this claim is Northwest-Southeast and it is situated in Mohave  
County, Arizona. This claim is 1500 feet in length and 600 feet in width.

20 Total Claim Acreage. This claim runs from the location monument on which this location notice  
is posted on the centerline of the claim approximately 20 feet in a SW direction to the SW  
end line and 1480 feet in a NE direction to the NE end line. This claim is marked by six  
monuments, one at each corner and one at the center of each end line of the claim.

The location monument on which this notice is posted is situated within Section 14, Township 19  
N, Range 20 W, Gila Salt River Base and Meridian, Arizona and this claim encompasses portions  
of the following quarter section(s), section(s), Township(s) and Range(s) \_\_\_\_\_  
NW1/4, NE1/4 Sec.14 T19N R20W

Gila Salt River Base and Meridian, Arizona.

The locality of this claim with reference to some natural object or permanent monument and additional information  
(if any) concerning its locality are as follows: \_\_\_\_\_

NW claim corner is 1,527'E 1,393'S from NW corner of Sec.14 T19N R20W

\_\_\_\_\_ The above information is shown on the attached map.

DATED AND POSTED on the ground this 29th day of November, 20 17.

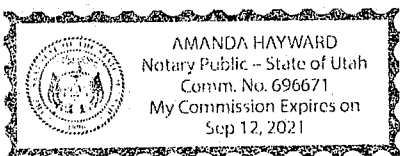
LOCATOR(s)  AGENT

Print Name(s) Stuart Burgess

Signature(s) \_\_\_\_\_

State of Utah  
County of Salt Lake

This instrument was signed and sworn to before me  
on 12/2/17 by Stuart Burgess  
(Name of signor)

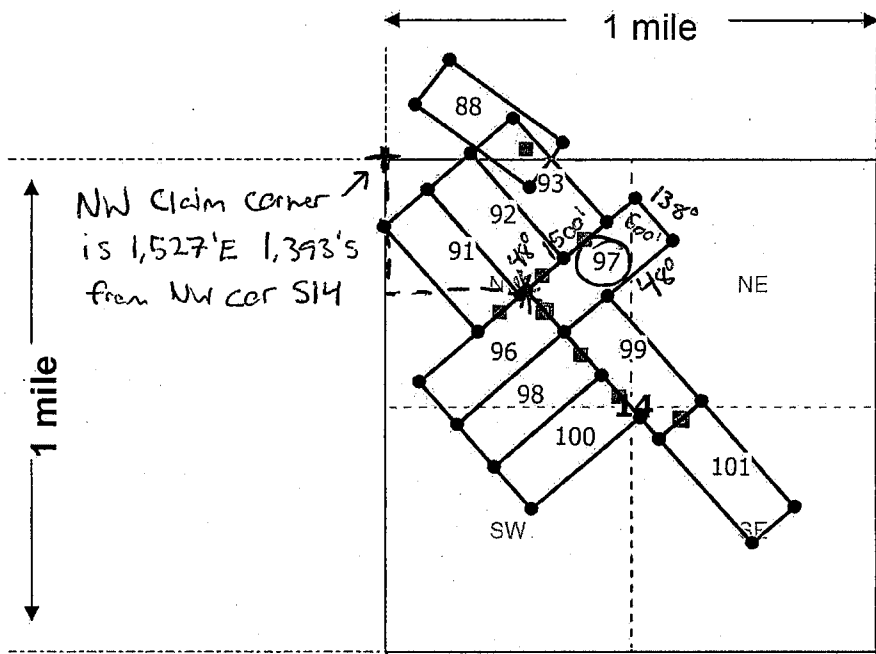


\_\_\_\_\_  
(Notary Signature)  
[Affix seal/stamp to the left or below]

AMC448288

**MINING CLAIM MAP**

Lode (X) Placer ( )  
Millsite ( )



RECEIVED  
 BLM AZ STATE OFFICE  
 2011 DEC 20 A 10:43  
 PHOENIX, ARIZONA



Scale: 1" = 2000 feet

- The above map depicts the GRMC 97 mining claim, which is located in Section (s) 14, Township 19 N, Range 20 W, Gila and Salt River Base and Meridian, Mohave County, Arizona. Total claim acreage is 20
- The type of corner and location monuments used are as follows: 2"X2"X50" wooden posts with metal tags or rock monument
- The bearings and distances in degrees and feet between claim corners and to a public land survey monument are as depicted on the map.
- If the claim is a placer or millsite claim with exterior limits conforming to legal subdivisions of the public survey, provide a legal description of the claim \_\_\_\_\_

Form MCF100a  
Revised July 2014

AMC 4 8 2 8 8



2E

Gold Road Mining Corp.  
Suite 450, 1090 West Georgia Street  
Vancouver, BC V6E 3V7 Canada

WHEN RECORDED MAIL TO (MC):

FENNEMORE CRAIG  
2394 EAST CAMELBACK RD  
SUITE 600  
PHOENIX AZ 85016

**FEE# 2017062277**

OFFICIAL RECORDS  
OF MOHAVE COUNTY  
KRISTI BLAIR,  
COUNTY RECORDER



12/26/2017 02:27 PM Fee: \$10.00

PAGE: 1 of 2

**LOCATION NOTICE FOR LODE MINING CLAIM**

Amendment BLM Serial # \_\_\_\_\_

NOTICE IS HEREBY GIVEN that the GRMC 98  
\_\_\_\_\_ lode mining claim has been located  
by Gold Road Mining Corp. whose current mailing  
address is Suite 450, 1090 West Georgia Street  
Vancouver, BC V6E 3V7 Canada

RECEIVED  
BLM AZ STATE OFFICE  
2017 DEC 20 A 10:43  
PHOENIX, ARIZONA  
BLM  
Date  
Stamp

The general course of this claim is Northwest-Southeast and it is situated in Mohave  
County, Arizona. This claim is 1500 feet in length and 600 feet in width.

20 Total Claim Acreage. This claim runs from the location monument on which this location notice  
is posted on the centerline of the claim approximately 20 feet in a NE direction to the NE  
end line and 1480 feet in a SW direction to the SW end line. This claim is marked by six  
monuments, one at each corner and one at the center of each end line of the claim.

The location monument on which this notice is posted is situated within Section 14, Township 19  
N, Range 20 W, Gila Salt River Base and Meridian, Arizona and this claim encompasses portions  
of the following quarter section(s), section(s), Township(s) and Range(s) \_\_\_\_\_  
NW1/4, SW1/4 Sec.14 T19N R20W

Gila Salt River Base and Meridian, Arizona.

The locality of this claim with reference to some natural object or permanent monument and additional information  
(if any) concerning its locality are as follows: \_\_\_\_\_

NW claim corner is 4,485'W 2,815'S from NE corner of Sec.14 T19N R20W

\_\_\_\_\_ The above information is shown on the attached map.

DATED AND POSTED on the ground this 29<sup>th</sup> day of November, 20 17.

LOCATOR(s)  AGENT

Print Name(s) Stuart Burgess

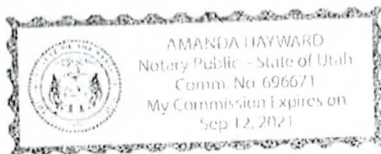
Signature(s) \_\_\_\_\_

State of Utah  
County of Salt Lake

This instrument was signed and sworn to before me  
on 12/2/17 by Stuart Burgess  
(Name of signer)

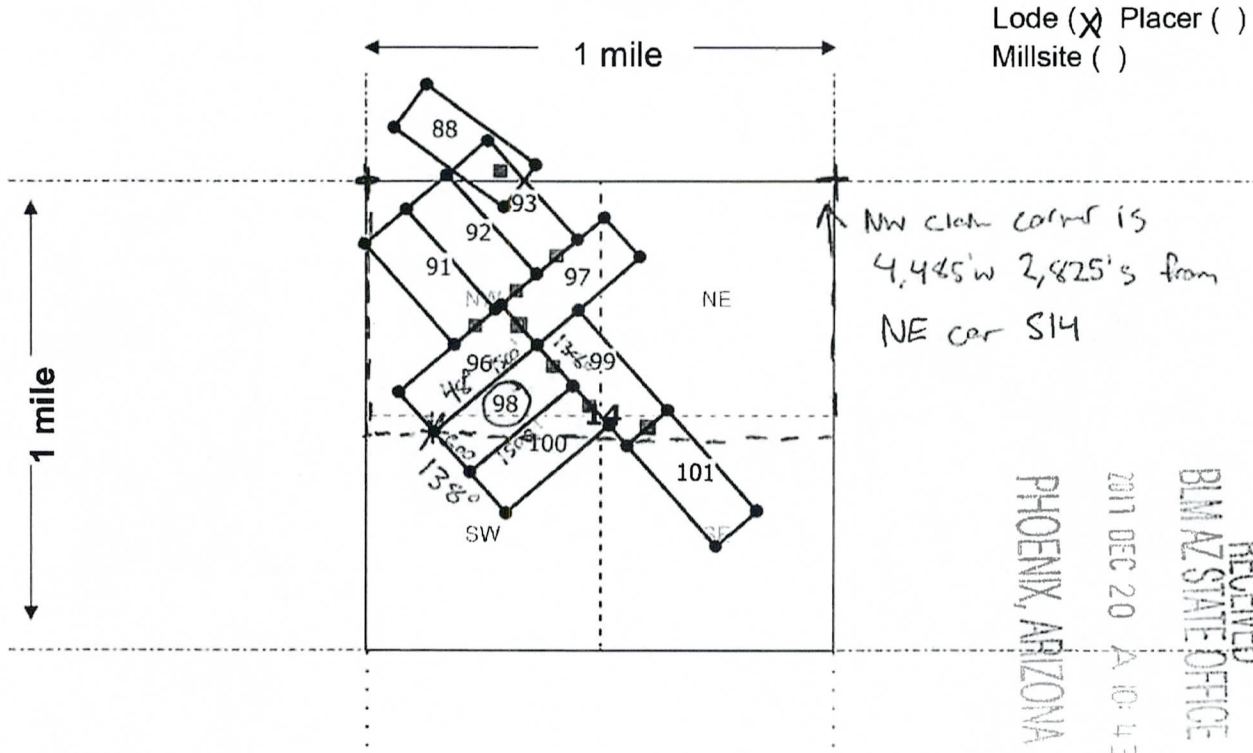
AKH  
(Notary Signature)

[Affix seal/stamp to the left or below]



AMC 448289

**MINING CLAIM MAP**



Lode (X) Placer ( )  
Millsite ( )

NW claim corner is  
4,445'w 2,825's from  
NE cor S14

RECEIVED  
BLM AZ STATE OFFICE  
2011 DEC 20 A 10:43  
PHOENIX, ARIZONA

Scale: 1" = 2000 feet



1. The above map depicts the GRMC 98 mining claim, which is located in Section (s) 14, Township 19 N, Range 20 W, Gila and Salt River Base and Meridian, Mohave County, Arizona. Total claim acreage is 20
2. The type of corner and location monuments used are as follows: 2"X2"X50" wooden posts with metal tags or rock monument
3. The bearings and distances in degrees and feet between claim corners and to a public land survey monument are as depicted on the map.
4. If the claim is a placer or millsite claim with exterior limits conforming to legal subdivisions of the public survey, provide a legal description of the claim \_\_\_\_\_

AMC 48289

Form MCF100a  
Revised July 2014

Gold Road Mining Corp.  
Suite 450, 1090 West Georgia Street  
Vancouver, BC V6E 3V7 Canada

**LOCATION NOTICE FOR LODE MINING CLAIM**

Amendment BLM Serial # \_\_\_\_\_

NOTICE IS HEREBY GIVEN that the GRMC 98  
\_\_\_\_\_ lode mining claim has been located  
by Gold Road Mining Corp whose current mailing  
address is Suite 450, 1090 West Georgia Street  
Vancouver, BC V6E 3V7 Canada

RECEIVED  
BLM AZ STATE OFFICE  
2017 DEC 20 A 10:43  
PHOENIX, ARIZONA  
BLM  
Date  
Stamp

The general course of this claim is Northwest-Southeast and it is situated in Mohave  
County, Arizona. This claim is 1500 feet in length and 600 feet in width.

20 Total Claim Acreage. This claim runs from the location monument on which this location notice  
is posted on the centerline of the claim approximately 20 feet in a NE direction to the NE  
end line and 1480 feet in a SW direction to the SW end line. This claim is marked by six  
monuments, one at each corner and one at the center of each end line of the claim.

The location monument on which this notice is posted is situated within Section 14, Township 19  
N, Range 20 W, Gila Salt River Base and Meridian, Arizona and this claim encompasses portions  
of the following quarter section(s), section(s), Township(s) and Range(s) \_\_\_\_\_  
NW1/4, SW1/4 Sec.14 T19N R20W

Gila Salt River Base and Meridian, Arizona.

The locality of this claim with reference to some natural object or permanent monument and additional information  
(if any) concerning its locality are as follows: \_\_\_\_\_

NW claim corner is 4,485'W 2,815'S from NE corner of Sec.14 T19N R20W

\_\_\_\_\_ The above information is shown on the attached map.

DATED AND POSTED on the ground this 29<sup>th</sup> day of November, 20 17.

LOCATOR(s)  AGENT

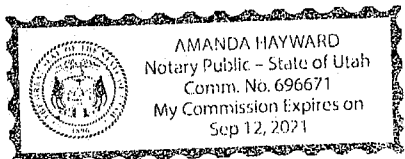
Print Name(s) Stuart Burgess

Signature(s) \_\_\_\_\_

State of Utah  
County of Salt Lake

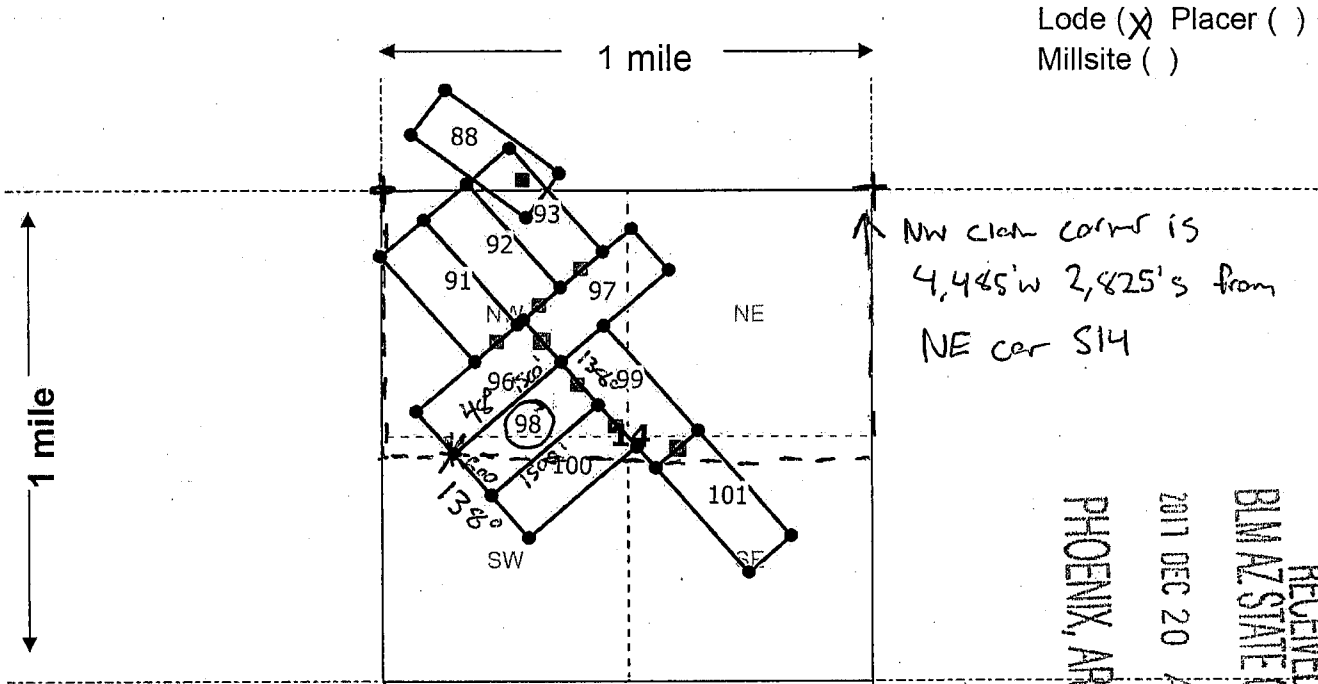
This instrument was signed and sworn to before me  
on 12-12-17 by Stuart Burgess  
(Name of signer)

AH  
(Notary Signature)  
[Affix seal/stamp to the left or below]



AMC448289

**MINING CLAIM MAP**



Lode (X) Placer ( )  
Millsite ( )

NW claim corner is  
4,445'w 2,825's from  
NE cor S14

RECEIVED  
BLM AZ STATE OFFICE  
2011 DEC 20 A 10:43  
PHOENIX, ARIZONA

Scale: 1" = 2000 feet



- The above map depicts the GRMC 98 mining claim, which is located in Section (s) 14, Township 19 N, Range 20 W, Gila and Salt River Base and Meridian, Mohave County, Arizona. Total claim acreage is 20
- The type of corner and location monuments used are as follows: 2"X2"X50" wooden posts with metal tags or rock monument
- The bearings and distances in degrees and feet between claim corners and to a public land survey monument are as depicted on the map.
- If the claim is a placer or millsite claim with exterior limits conforming to legal subdivisions of the public survey, provide a legal description of the claim \_\_\_\_\_

AMC 448289

Form MCF100a  
Revised July 2014

2E

Gold Road Mining Corp.  
Suite 450, 1090 West Georgia Street  
Vancouver, BC V6E 3V7 Canada

WHEN RECORDED MAIL TO (MC):

FENNEMORE CRAIG  
2394 EAST CAMELBACK RD  
SUITE 600  
PHOENIX AZ 85016



FEE# 2017062278

OFFICIAL RECORDS  
OF MOHAVE COUNTY  
KRISTI BLAIR,  
COUNTY RECORDER



12/26/2017 02:27 PM Fee: \$10.00

PAGE: 1 of 2

LOCATION NOTICE FOR LODE MINING CLAIM

Amendment BLM Serial # \_\_\_\_\_

NOTICE IS HEREBY GIVEN that the GRMC 99  
\_\_\_\_\_ lode mining claim has been located  
by Gold Road Mining Corp. whose current mailing  
address is Suite 450, 1090 West Georgia Street  
Vancouver, BC V6E 3V7 Canada



The general course of this claim is Northwest-Southeast and it is situated in Mohave  
County, Arizona. This claim is 1500 feet in length and 600 feet in width.

20 Total Claim Acreage. This claim runs from the location monument on which this location notice  
is posted on the centerline of the claim approximately 20 feet in a SE direction to the SE  
end line and 1480 feet in a NW direction to the NW end line. This claim is marked by six  
monuments, one at each corner and one at the center of each end line of the claim.

The location monument on which this notice is posted is situated within Section 14, Township 19  
N, Range 20 W, Gila Salt River Base and Meridian, Arizona and this claim encompasses portions  
of the following quarter section(s), section(s), Township(s) and Range(s) \_\_\_\_\_  
NW1/4, SW1/4, NE1/4, SE1/4 Sec. 14 T19N R20W

Gila Salt River Base and Meridian, Arizona.

The locality of this claim with reference to some natural object or permanent monument and additional information  
(if any) concerning its locality are as follows: \_\_\_\_\_

NW claim corner is 1,920'E 1,843'S from NW corner of Sec. 14 T19N R20W

\_\_\_\_\_ The above information is shown on the attached map.

DATED AND POSTED on the ground this 29th day of November, 20 17.

LOCATOR(s)  AGENT

Print Name(s) Stuart Burgess

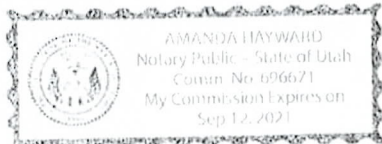
Signature(s) \_\_\_\_\_

State of Utah  
County of Salt Lake

This instrument was signed and sworn to before me  
on 12/2/17 by Stuart Burgess  
(Name of signor)

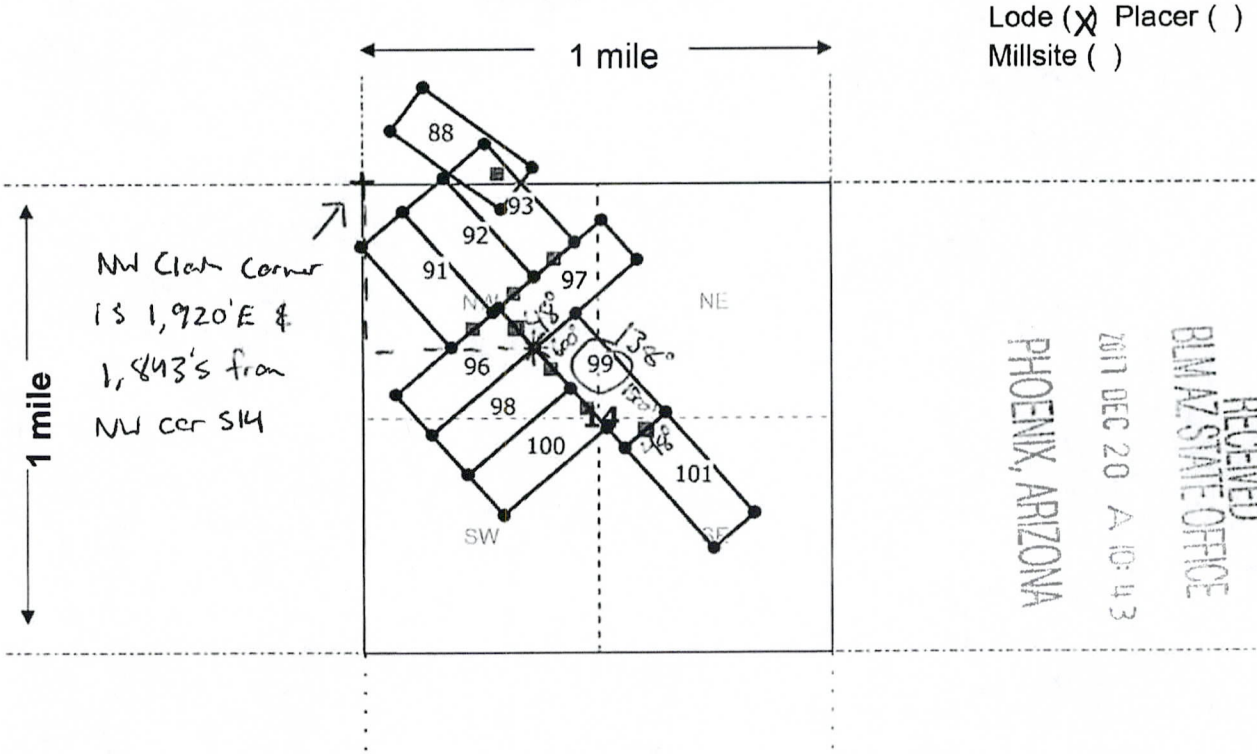
AH  
(Notary Signature)

[Affix seal/stamp to the left or below]



AMC448290

**MINING CLAIM MAP**



- Scale: 1" = 2000 feet
- The above map depicts the GRMC 99 mining claim, which is located in Section (s) 14, Township 19 N, Range 20 W, Gila and Salt River Base and Meridian, Mohave County, Arizona. Total claim acreage is 20
  - The type of corner and location monuments used are as follows: 2"X2"X50" wooden posts with metal tags or rock monument
  - The bearings and distances in degrees and feet between claim corners and to a public land survey monument are as depicted on the map.
  - If the claim is a placer or millsite claim with exterior limits conforming to legal subdivisions of the public survey, provide a legal description of the claim \_\_\_\_\_

AMC 448290

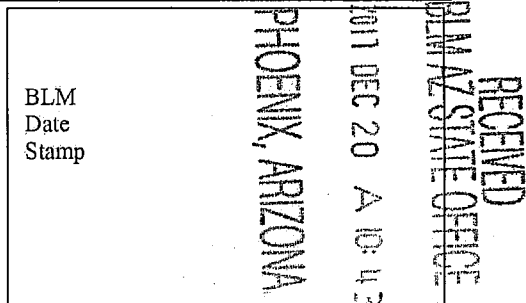
Form MCF100a  
Revised July 2014

Gold Road Mining Corp.  
Suite 450, 1090 West Georgia Street  
Vancouver, BC V6E 3V7 Canada

LOCATION NOTICE FOR LODE MINING CLAIM

Amendment BLM Serial # \_\_\_\_\_

NOTICE IS HEREBY GIVEN that the GRMC 99  
\_\_\_\_\_ lode mining claim has been located  
by Gold Road Mining Corp. whose current mailing  
address is Suite 450, 1090 West Georgia Street  
Vancouver, BC V6E 3V7 Canada



The general course of this claim is Northwest-Southeast and it is situated in Mohave  
County, Arizona. This claim is 1500 feet in length and 600 feet in width.

20 Total Claim Acreage. This claim runs from the location monument on which this location notice  
is posted on the centerline of the claim approximately 20 feet in a SE direction to the SE  
end line and 1480 feet in a NW direction to the NW end line. This claim is marked by six  
monuments, one at each corner and one at the center of each end line of the claim.

The location monument on which this notice is posted is situated within Section 14, Township 19  
N, Range 20 W, Gila Salt River Base and Meridian, Arizona and this claim encompasses portions  
of the following quarter section(s), section(s), Township(s) and Range(s) \_\_\_\_\_  
NW1/4, SW1/4, NE1/4, SE1/4 Sec. 14 T19N R20W

Gila Salt River Base and Meridian, Arizona.

The locality of this claim with reference to some natural object or permanent monument and additional information  
(if any) concerning its locality are as follows: \_\_\_\_\_

NW claim corner is 1,920'E 1,843'S from NW corner of Sec. 14 T19N R20W

\_\_\_\_\_ The above information is shown on the attached map.  
DATED AND POSTED on the ground this 29<sup>th</sup> day of November, 2017.

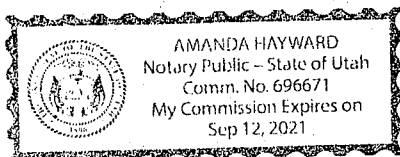
LOCATOR(s)  AGENT

Print Name(s) Stuart Burgess

Signature(s) \_\_\_\_\_

State of Utah  
County of Salt Lake

This instrument was signed and sworn to before me  
on 12/2/17 by Stuart Burgess  
(Name of signer)

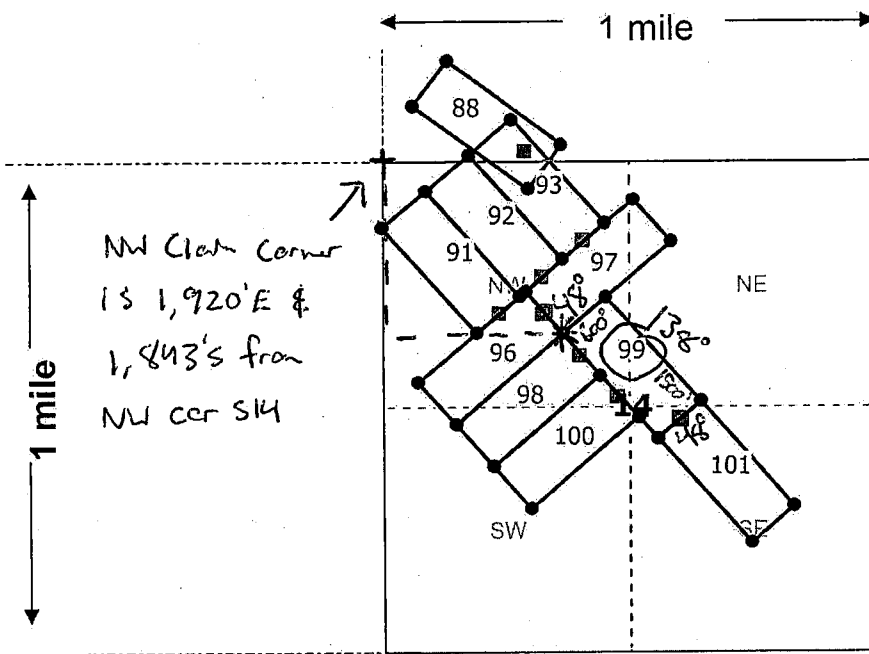


AH  
(Notary Signature)  
[Affix seal/stamp to the left or below]

AMC 448290

**MINING CLAIM MAP**

Lode (X) Placer (·)  
Millsite ( )



RECEIVED  
BLM AZ STATE OFFICE  
2011 DEC 20 A 10:43  
PHOENIX, ARIZONA

Scale: 1" = 2000 feet



- The above map depicts the GRMC 99 mining claim, which is located in Section (s) 14, Township 19 N, Range 20 W, Gila and Salt River Base and Meridian, Mohave County, Arizona. Total claim acreage is 20
- The type of corner and location monuments used are as follows: 2"X2"X50" wooden posts with metal tags or rock monument
- The bearings and distances in degrees and feet between claim corners and to a public land survey monument are as depicted on the map.
- If the claim is a placer or millsite claim with exterior limits conforming to legal subdivisions of the public survey, provide a legal description of the claim \_\_\_\_\_

Form MCF100a  
Revised July 2014

This form is available from the Arizona Geology Survey and may be reproduced.

AMC448290



Gold Road Mining Corp.  
Suite 450, 1090 West Georgia Street  
Vancouver, BC V6E 3V7 Canada

**LOCATION NOTICE FOR LODE MINING CLAIM**

Amendment BLM Serial # \_\_\_\_\_

NOTICE IS HEREBY GIVEN that the GRMC 99

\_\_\_\_\_ lode mining claim has been located  
by Gold Road Mining Corp. whose current mailing  
address is Suite 450, 1090 West Georgia Street  
Vancouver, BC V6E 3V7 Canada

RECEIVED  
BLM AZ STATE OFFICE  
2017 DEC 20 A 10:43  
PHOENIX, ARIZONA  
BLM  
Date  
Stamp

The general course of this claim is Northwest-Southeast and it is situated in Mohave  
County, Arizona. This claim is 1500 feet in length and 600 feet in width.

20 Total Claim Acreage. This claim runs from the location monument on which this location notice  
is posted on the centerline of the claim approximately 20 feet in a SE direction to the SE  
end line and 1480 feet in a NW direction to the NW end line. This claim is marked by six  
monuments, one at each corner and one at the center of each end line of the claim.

The location monument on which this notice is posted is situated within Section 14, Township 19  
N, Range 20 W, Gila Salt River Base and Meridian, Arizona and this claim encompasses portions  
of the following quarter section(s), section(s), Township(s) and Range(s) \_\_\_\_\_  
NW1/4, SW1/4, NE1/4, SE1/4 Sec. 14 T19N R20W

Gila Salt River Base and Meridian, Arizona.

The locality of this claim with reference to some natural object or permanent monument and additional information  
(if any) concerning its locality are as follows: \_\_\_\_\_

NW claim corner is 1,920'E 1,843'S from NW corner of Sec. 14 T19N R20W

\_\_\_\_\_ The above information is shown on the attached map.

DATED AND POSTED on the ground this 29<sup>th</sup> day of November, 20 17.

LOCATOR(s)  AGENT

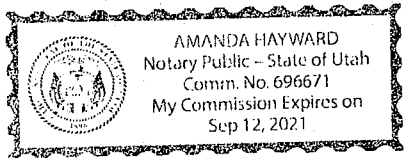
Print Name(s) Stuart Burgess

Signature(s) \_\_\_\_\_

State of Utah  
County of Salt Lake

This instrument was signed and sworn to before me  
on 12/2/17 by Stuart Burgess  
(Name of signor)

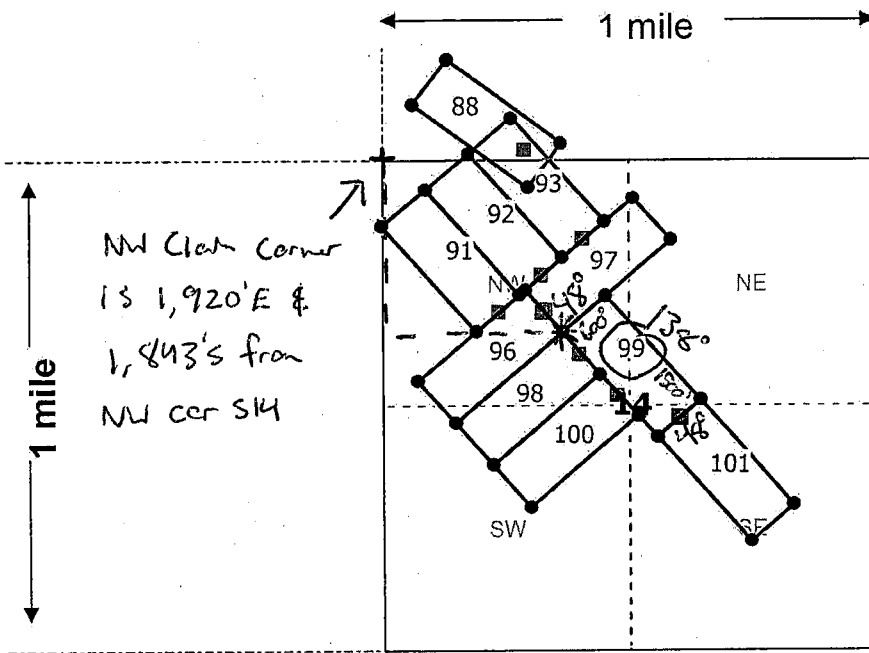
AH  
(Notary Signature)  
[Affix seal/stamp to the left or below]



AMC 448290

**MINING CLAIM MAP**

Lode (X) Placer (·)  
Millsite ( )



RECEIVED  
BLM AZ STATE OFFICE  
2011 DEC 20 A 10:43  
PHOENIX, ARIZONA

Scale: 1" = 2000 feet



- The above map depicts the GRMC 99 mining claim, which is located in Section (s) 14, Township 19 N, Range 20 W, Gila and Salt River Base and Meridian, Mohave County, Arizona. Total claim acreage is 20
- The type of corner and location monuments used are as follows: 2"X2"X50" wooden posts with metal tags or rock monument
- The bearings and distances in degrees and feet between claim corners and to a public land survey monument are as depicted on the map.
- If the claim is a placer or millsite claim with exterior limits conforming to legal subdivisions of the public survey, provide a legal description of the claim \_\_\_\_\_

Form MCF100a  
Revised July 2014

This form is available from the Arizona Geology Survey and may be reproduced.

AMC 448290

2E

Gold Road Mining Corp.  
Suite 450, 1090 West Georgia Street  
Vancouver, BC V6E 3V7 Canada

WHEN RECORDED MAIL TO (MC):

FENNEMORE CRAIG  
2394 EAST CAMELBACK RD  
SUITE 600  
PHOENIX AZ 85016

**FEE# 2017062279**

OFFICIAL RECORDS  
OF MOHAVE COUNTY  
KRISTI BLAIR,  
COUNTY RECORDER



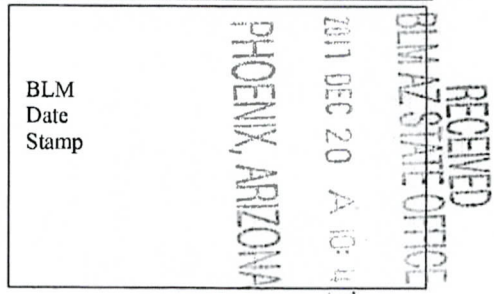
12/26/2017 02:27 PM Fee: \$10.00

PAGE: 1 of 2

**LOCATION NOTICE FOR LODE MINING CLAIM**

Amendment BLM Serial # \_\_\_\_\_

NOTICE IS HEREBY GIVEN that the GRMC 100  
\_\_\_\_\_ lode mining claim has been located  
by Gold Road Mining Corp. whose current mailing  
address is Suite 450, 1090 West Georgia Street  
Vancouver, BC V6E 3V7 Canada



The general course of this claim is Northwest-Southeast and it is situated in Mohave  
County, Arizona. This claim is 1500 feet in length and 600 feet in width.

20 Total Claim Acreage. This claim runs from the location monument on which this location notice  
is posted on the centerline of the claim approximately 20 feet in a NE direction to the NE  
end line and 1480 feet in a SW direction to the SW end line. This claim is marked by six  
monuments, one at each corner and one at the center of each end line of the claim.

The location monument on which this notice is posted is situated within Section 14, Township 19  
N, Range 20 W, Gila Salt River Base and Meridian, Arizona and this claim encompasses portions  
of the following quarter section(s), section(s), Township(s) and Range(s) \_\_\_\_\_  
NW1/4, SW1/4 Sec. 14 T19N R20W

Gila Salt River Base and Meridian, Arizona.

The locality of this claim with reference to some natural object or permanent monument and additional information  
(if any) concerning its locality are as follows: \_\_\_\_\_

NW claim corner is 4,099'W 3,279'S from NE corner of Sec. 14 T19N R20W

\_\_\_\_\_ The above information is shown on the attached map.

DATED AND POSTED on the ground this 29th day of November, 20 17.

LOCATOR(s)  AGENT

Print Name(s) Stuart Burgess

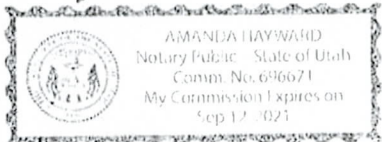
Signature(s) \_\_\_\_\_

State of Utah  
County of Salt Lake

This instrument was signed and sworn to before me  
on 12/2/17 by Stuart Burgess  
(Name of signer)

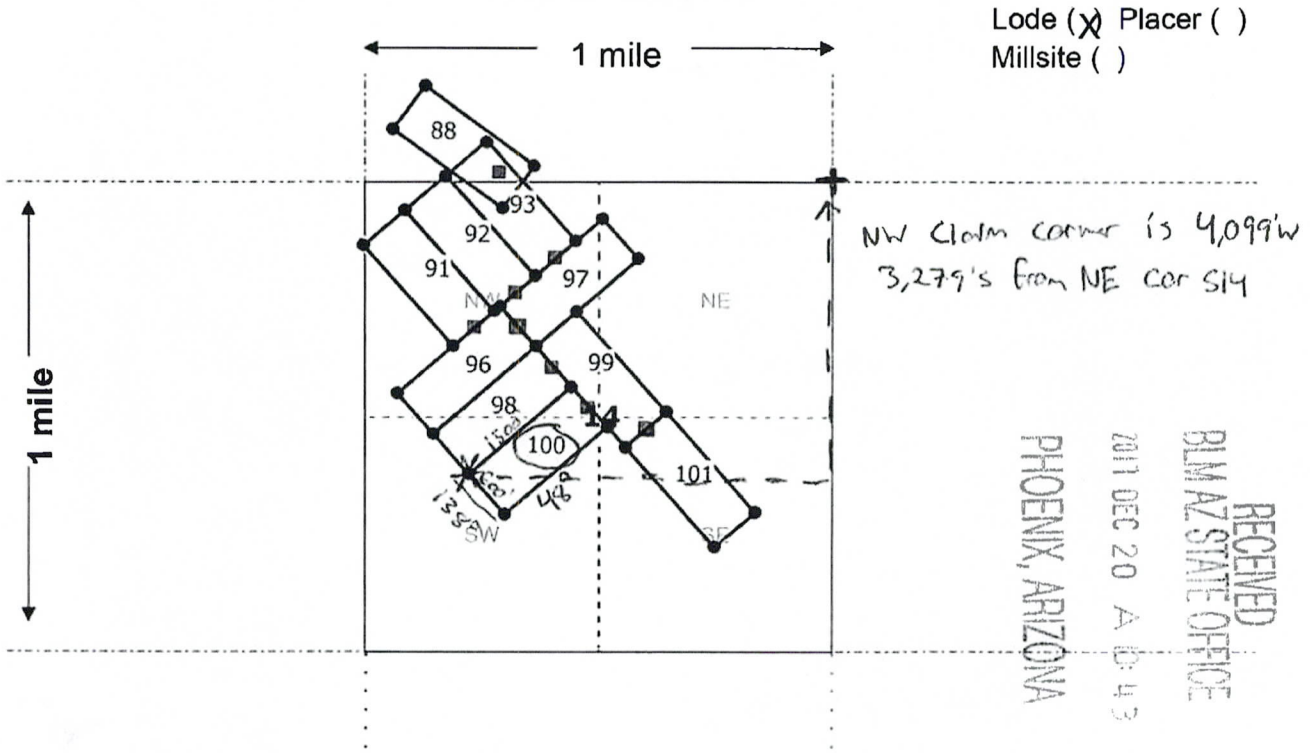
[Signature]  
(Notary Signature)

[Affix seal/stamp to the left or below]



AMC 448291

**MINING CLAIM MAP**



1. The above map depicts the GRMC 100 mining claim, which is located in Section (s) 14, Township 19 N, Range 20 W, Gila and Salt River Base and Meridian, Mohave County, Arizona. Total claim acreage is 20
2. The type of corner and location monuments used are as follows: 2"X2"X50" wooden posts with metal tags or rock monument
3. The bearings and distances in degrees and feet between claim corners and to a public land survey monument are as depicted on the map.
4. If the claim is a placer or millsite claim with exterior limits conforming to legal subdivisions of the public survey, provide a legal description of the claim \_\_\_\_\_

Form MCF100a  
Revised July 2014

This form is available from the Arizona Geology Survey and may be reproduced.

AMC 448291

Gold Road Mining Corp.  
Suite 450, 1090 West Georgia Street  
Vancouver, BC V6E 3V7 Canada

**LOCATION NOTICE FOR LODE MINING CLAIM**

Amendment BLM Serial # \_\_\_\_\_

NOTICE IS HEREBY GIVEN that the GRMC 100  
\_\_\_\_\_ lode mining claim has been located  
by Gold Road Mining Corp whose current mailing  
address is Suite 450, 1090 West Georgia Street  
Vancouver, BC V6E 3V7 Canada

RECEIVED  
BLM AZ STATE OFFICE  
2017 DEC 20 A 10:43  
PHOENIX, ARIZONA  
BLM  
Date  
Stamp

The general course of this claim is Northwest-Southeast and it is situated in Mohave  
County, Arizona. This claim is 1500 feet in length and 600 feet in width.

20 Total Claim Acreage. This claim runs from the location monument on which this location notice  
is posted on the centerline of the claim approximately 20 feet in a NE direction to the NE  
end line and 1480 feet in a SW direction to the SW end line. This claim is marked by six  
monuments, one at each corner and one at the center of each end line of the claim.

The location monument on which this notice is posted is situated within Section 14, Township 19  
N, Range 20 W, Gila Salt River Base and Meridian, Arizona and this claim encompasses portions  
of the following quarter section(s), section(s), Township(s) and Range(s) \_\_\_\_\_

NW1/4, SW1/4 Sec.14 T19N R20W

Gila Salt River Base and Meridian, Arizona.

The locality of this claim with reference to some natural object or permanent monument and additional information  
(if any) concerning its locality are as follows: \_\_\_\_\_

NW claim corner is 4,099'W 3,279'S from NE corner of Sec.14 T19N R20W

\_\_\_\_\_ The above information is shown on the attached map.

DATED AND POSTED on the ground this 29<sup>th</sup> day of November, 20 17.

LOCATOR(s)  AGENT

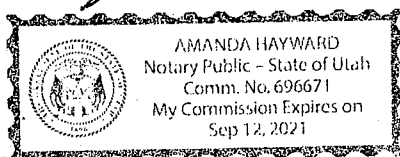
Print Name(s) Stuart Burgess

Signature(s) \_\_\_\_\_

State of Utah  
County of Salt Lake

This instrument was signed and sworn to before me  
on 12/2/17 by Stuart Burgess  
(Name of signer)

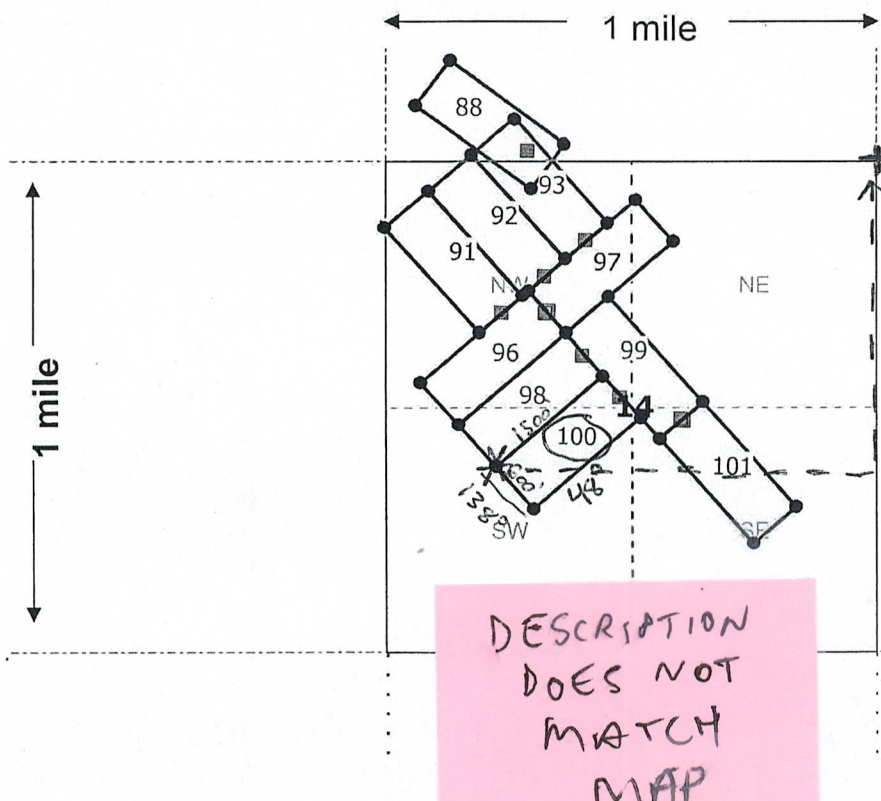
Anti  
(Notary Signature)  
[Affix seal/stamp to the left or below]



AMC 448291

**MINING CLAIM MAP**

Lode (X) Placer ( )  
Millsite ( )



NW Claim corner is 4,099'w  
3,279's from NE cor S14

RECEIVED  
BIAZ STATE OFFICE  
2011 DEC 20 A 10:43  
PHOENIX, ARIZONA

1. The above map depicts the GRMC 100 mining claim, which is located in Section (s) 14, Township 19 N, Range 20 W, Gila and Salt River Base and Meridian, Mohave County, Arizona. Total claim acreage is 20
2. The type of corner and location monuments used are as follows: 2"X2"X50" wooden posts with metal tags or rock monument
3. The bearings and distances in degrees and feet between claim corners and to a public land survey monument are as depicted on the map.
4. If the claim is a placer or millsite claim with exterior limits conforming to legal subdivisions of the public survey, provide a legal description of the claim \_\_\_\_\_

AMC448291

2E

Gold Road Mining Corp.  
Suite 450, 1090 West Georgia Street  
Vancouver, BC V6E 3V7 Canada

WHEN RECORDED MAIL TO (MC):

FENNEMORE CRAIG  
2394 EAST CAMELBACK RD  
SUITE 600  
PHOENIX AZ 85016

FEE# 2017062280

OFFICIAL RECORDS  
OF MOHAVE COUNTY  
KRISTI BLAIR,  
COUNTY RECORDER



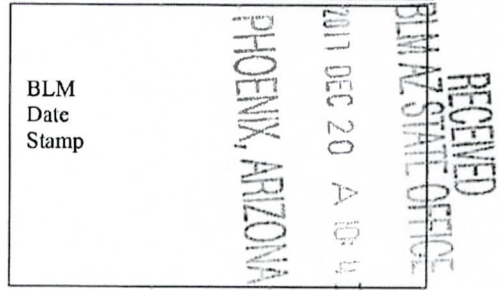
12/26/2017 02:27 PM Fee: \$10.00

PAGE: 1 of 2

LOCATION NOTICE FOR LODE MINING CLAIM

Amendment BLM Serial # \_\_\_\_\_

NOTICE IS HEREBY GIVEN that the GRMC 101  
\_\_\_\_\_ lode mining claim has been located  
by Gold Road Mining Corp. whose current mailing  
address is Suite 450, 1090 West Georgia Street  
Vancouver, BC V6E 3V7 Canada



The general course of this claim is Northwest-Southeast and it is situated in Mohave  
County, Arizona. This claim is 1500 feet in length and 600 feet in width.

20 Total Claim Acreage. This claim runs from the location monument on which this location notice  
is posted on the centerline of the claim approximately 20 feet in a NW direction to the NW  
end line and 1480 feet in a SE direction to the SE end line. This claim is marked by six  
monuments, one at each corner and one at the center of each end line of the claim.

The location monument on which this notice is posted is situated within Section 14, Township 19  
N, Range 20 W, Gila Salt River Base and Meridian, Arizona and this claim encompasses portions  
of the following quarter section(s), section(s), Township(s) and Range(s) \_\_\_\_\_  
NE1/4, SE1/4 Sec.14 T19N R20W

Gila Salt River Base and Meridian, Arizona.

The locality of this claim with reference to some natural object or permanent monument and additional information  
(if any) concerning its locality are as follows: \_\_\_\_\_

NW claim corner is 2,370'W 2,300'N from SE corner of Sec.14 T19N R20W

\_\_\_\_\_ The above information is shown on the attached map.

DATED AND POSTED on the ground this 29<sup>th</sup> day of November, 2017.

LOCATOR(s)  AGENT

Print Name(s) Stuart Burgess

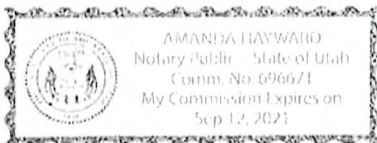
Signature(s) \_\_\_\_\_

State of Utah  
County of Salt Lake

This instrument was signed and sworn to before me  
on 12/2/17 by Stuart Burgess  
(Name of signer)

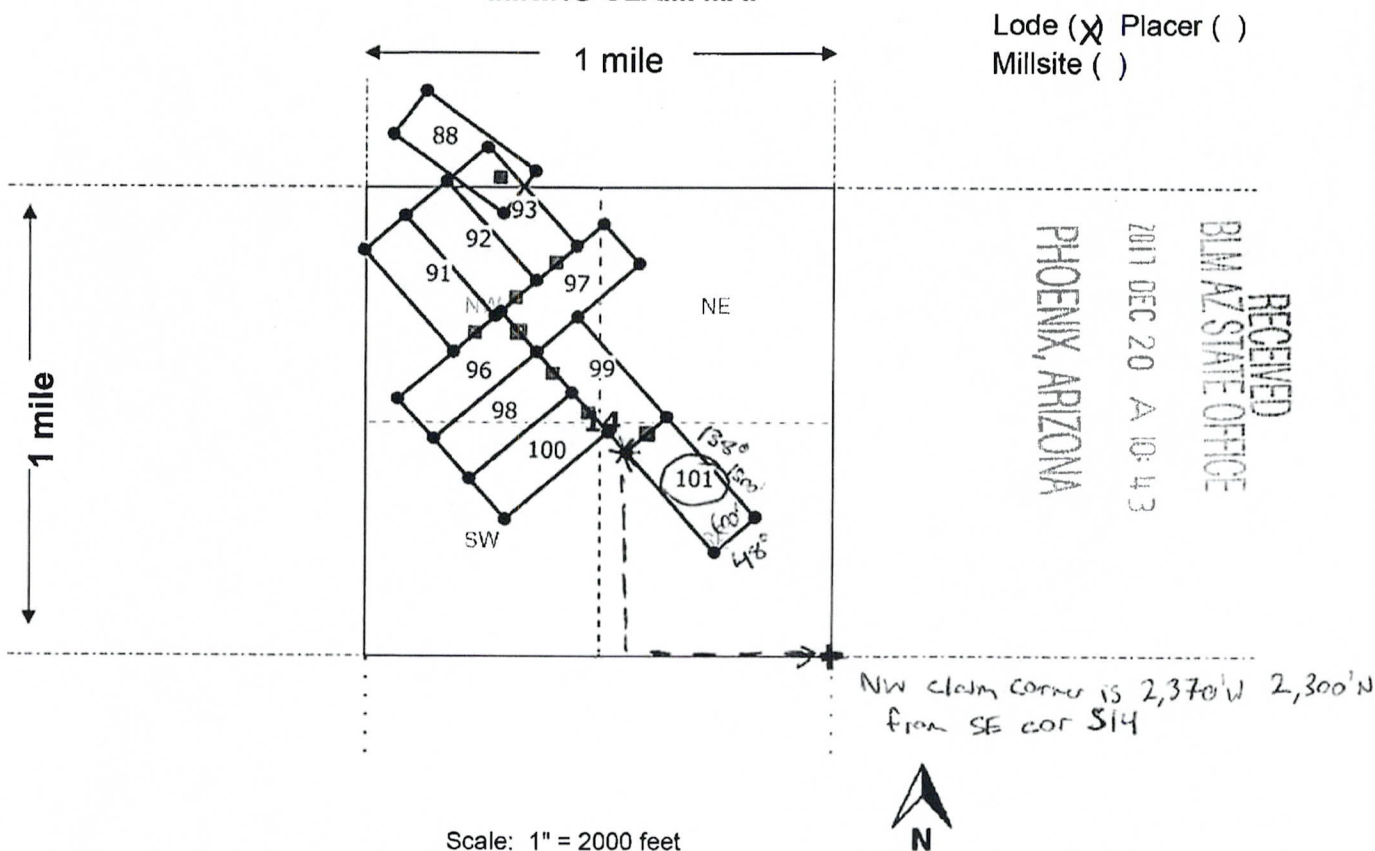
[Signature]  
(Notary Signature)

[Affix seal/stamp to the left or below]



AMC448292

**MINING CLAIM MAP**



Scale: 1" = 2000 feet

1. The above map depicts the GRMC 101 mining claim, which is located in Section (s) 14, Township 19 N, Range 20 W, Gila and Salt River Base and Meridian, Mohave County, Arizona. Total claim acreage is 20

2. The type of corner and location monuments used are as follows: 2"X2"X50" wooden posts with metal tags or rock monument

3. The bearings and distances in degrees and feet between claim corners and to a public land survey monument are as depicted on the map.

4. If the claim is a placer or millsite claim with exterior limits conforming to legal subdivisions of the public survey, provide a legal description of the claim \_\_\_\_\_

AMC 448292

**Form MCF100a**  
Revised July 2014

This form is available from the **Arizona Geology Survey** and may be reproduced.



Gold Road Mining Corp.  
Suite 450, 1090 West Georgia Street  
Vancouver, BC V6E 3V7 Canada

**LOCATION NOTICE FOR LODE MINING CLAIM**

Amendment BLM Serial # \_\_\_\_\_

NOTICE IS HEREBY GIVEN that the GRMC 101  
\_\_\_\_\_ lode mining claim has been located  
by Gold Road Mining Corp. whose current mailing  
address is Suite 450, 1090 West Georgia Street  
Vancouver, BC V6E 3V7 Canada

RECEIVED  
BLM AZ STATE OFFICE  
2017 DEC 20 A 10:43  
PHOENIX, ARIZONA  
BLM  
Date  
Stamp

The general course of this claim is Northwest-Southeast and it is situated in Mohave  
County, Arizona. This claim is 1500 feet in length and 600 feet in width.

20 Total Claim Acreage. This claim runs from the location monument on which this location notice  
is posted on the centerline of the claim approximately 20 feet in a NW direction to the NW  
end line and 1480 feet in a SE direction to the SE end line. This claim is marked by six  
monuments, one at each corner and one at the center of each end line of the claim.

The location monument on which this notice is posted is situated within Section 14, Township 19  
N, Range 20 W, Gila Salt River Base and Meridian, Arizona and this claim encompasses portions  
of the following quarter section(s), section(s), Township(s) and Range(s) \_\_\_\_\_  
NE1/4, SE1/4 Sec.14 T19N R20W

Gila Salt River Base and Meridian, Arizona.

The locality of this claim with reference to some natural object or permanent monument and additional information  
(if any) concerning its locality are as follows: \_\_\_\_\_

NW claim corner is 2,370'W 2,300'N from SE corner of Sec.14 T19N R20W

\_\_\_\_\_ The above information is shown on the attached map.

DATED AND POSTED on the ground this 29<sup>th</sup> day of November, 20 17.

LOCATOR(s)  AGENT

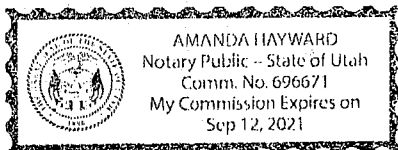
Print Name(s) Stuart Burgess

Signature(s) \_\_\_\_\_

State of Utah  
County of Salt Lake

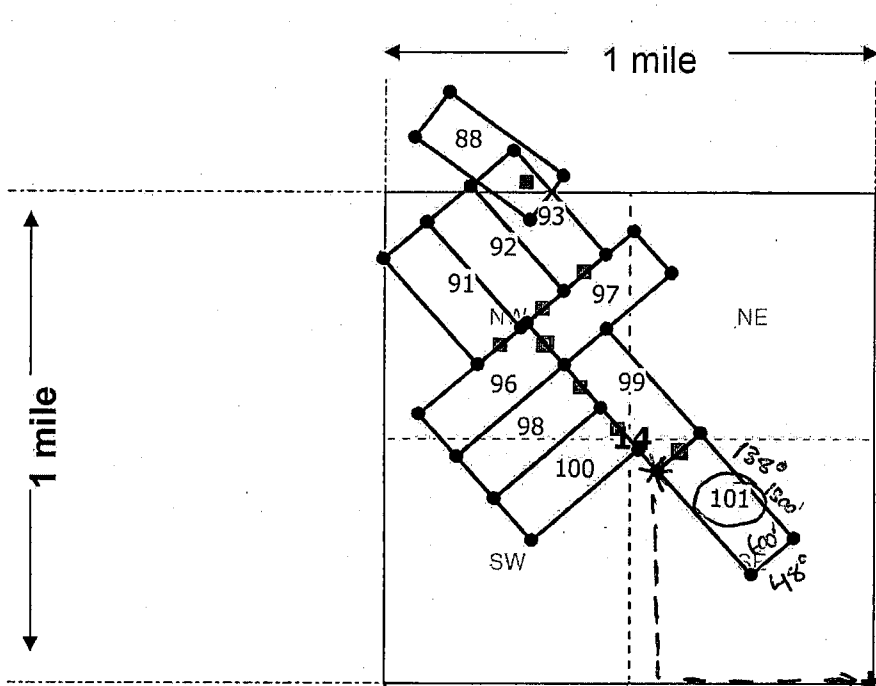
This instrument was signed and sworn to before me  
on 12/2/17 by Stuart Burgess  
(Name of signer)

[Signature]  
(Notary Signature)  
[Affix seal/stamp to the left or below]



AMC448292

**MINING CLAIM MAP**



Lode (X) Placer ( )  
 Millsite ( )

RECEIVED  
 BLM AZ STATE OFFICE  
 2017 DEC 20 A 10:43  
 PHOENIX, ARIZONA

NW claim corner is 2,370' W 2,300' N from SE cor S14



Scale: 1" = 2000 feet

1. The above map depicts the GRMC 101 mining claim, which is located in Section (s) 14, Township 19 N, Range 20 W, Gila and Salt River Base and Meridian, Mohave County, Arizona. Total claim acreage is 20.

2. The type of corner and location monuments used are as follows: 2"X2"X50" wooden posts with metal tags or rock monument

3. The bearings and distances in degrees and feet between claim corners and to a public land survey monument are as depicted on the map.

4. If the claim is a placer or millsite claim with exterior limits conforming to legal subdivisions of the public survey, provide a legal description of the claim \_\_\_\_\_

AMC448292

Form MCF100a  
 Revised July 2014

2E

Gold Road Mining Corp.  
Suite 450, 1090 West Georgia Street  
Vancouver, BC V6E 3V7 Canada

WHEN RECORDED MAIL TO (MC):

FENNEMORE CRAIG  
2394 EAST CAMELBACK RD  
SUITE 600  
PHOENIX AZ 85016

**FEE# 2017062281**

OFFICIAL RECORDS  
OF MOHAVE COUNTY  
KRISTI BLAIR,  
COUNTY RECORDER



12/26/2017 02:27 PM Fee: \$10.00

PAGE: 1 of 2

**LOCATION NOTICE FOR LODE MINING CLAIM**

Amendment BLM Serial # \_\_\_\_\_

NOTICE IS HEREBY GIVEN that the GRMC 102  
\_\_\_\_\_ lode mining claim has been located  
by Gold Road Mining Corp. whose current mailing  
address is Suite 450, 1090 West Georgia Street  
Vancouver, BC V6E 3V7 Canada

RECEIVED  
BLM AZ STATE OFFICE  
2017 DEC 20 A 10:43  
PHOENIX, ARIZONA  
BLM  
Date  
Stamp

The general course of this claim is Northwest-Southeast and it is situated in Mohave  
County, Arizona. This claim is 1500 feet in length and 600 feet in width.

20 Total Claim Acreage. This claim runs from the location monument on which this location notice  
is posted on the centerline of the claim approximately 20 feet in a SE direction to the SE  
end line and 1480 feet in a NW direction to the NW end line. This claim is marked by six  
monuments, one at each corner and one at the center of each end line of the claim.

The location monument on which this notice is posted is situated within Section 22, Township 19  
N, Range 20 W, Gila Salt River Base and Meridian, Arizona and this claim encompasses portions  
of the following quarter section(s), section(s), Township(s) and Range(s) \_\_\_\_\_  
SE1/4 Sec.15 and NE1/4 S22 T19N R20W

Gila Salt River Base and Meridian, Arizona.

The locality of this claim with reference to some natural object or permanent monument and additional information  
(if any) concerning its locality are as follows: \_\_\_\_\_

NW claim corner is 2,435'W 461'S from NE corner of Sec.22 T19N R20W

\_\_\_\_\_ The above information is shown on the attached map.

DATED AND POSTED on the ground this 29th day of November, 20 17.

LOCATOR(s)  AGENT

Print Name(s) Stuart Burgess

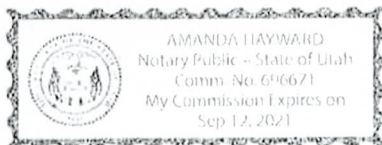
Signature(s) \_\_\_\_\_

State of Utah  
County of Salt Lake

This instrument was signed and sworn to before me  
on 12/2/17 by Stuart Burgess  
(Name of signer)

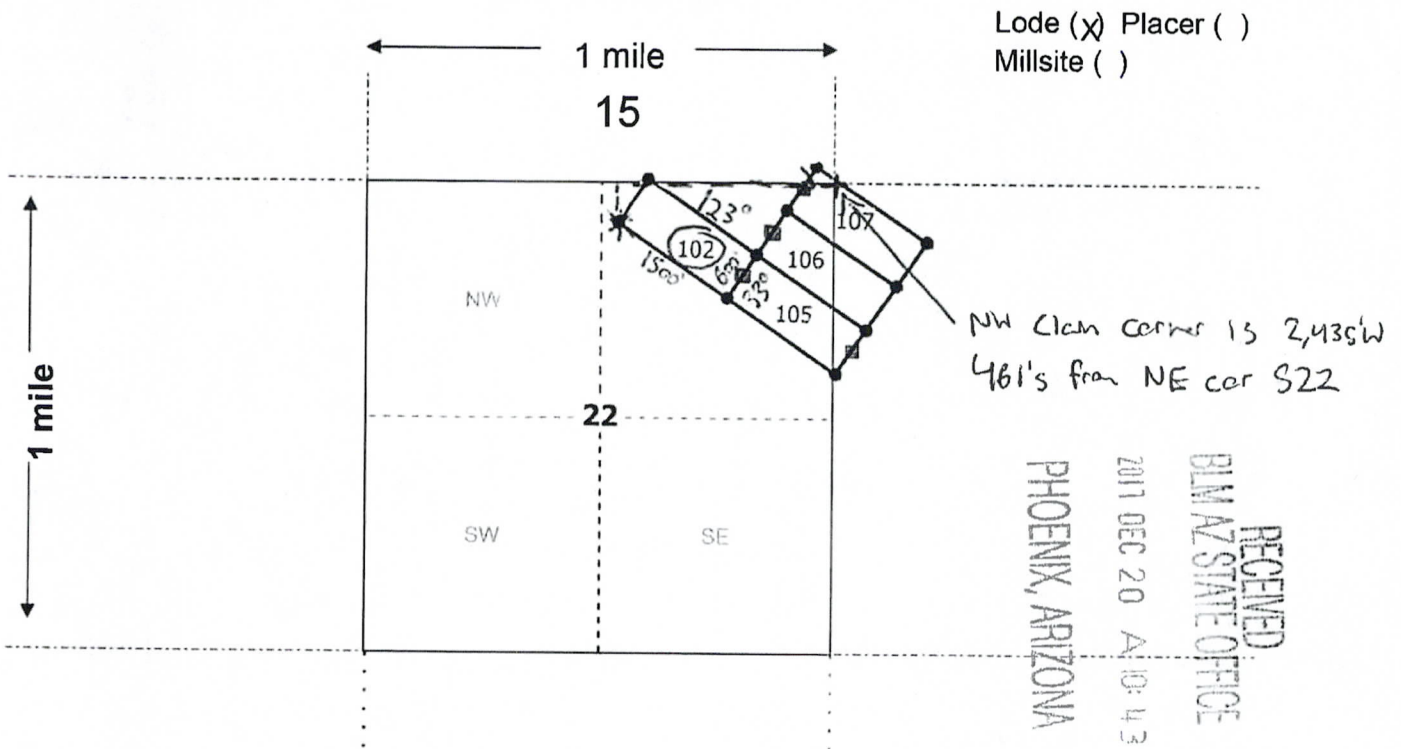
AKH  
(Notary Signature)

[Affix seal/stamp to the left or below]



AMC448293

**MINING CLAIM MAP**



Scale: 1" = 2000 feet



1. The above map depicts the GRMC 102 mining claim, which is located in Section (s) 15, 22, Township 19 N, Range 20 W, Gila and Salt River Base and Meridian, Mohave County, Arizona. Total claim acreage is 20
2. The type of corner and location monuments used are as follows: 2"X2"X50" wooden posts with metal tags or rock monument
3. The bearings and distances in degrees and feet between claim corners and to a public land survey monument are as depicted on the map.
4. If the claim is a placer or millsite claim with exterior limits conforming to legal subdivisions of the public survey, provide a legal description of the claim \_\_\_\_\_

Form MCF100a  
Revised July 2014

This form is available from the Arizona Geology Survey and may be reproduced.

AMC 448293

Gold Road Mining Corp.  
Suite 450, 1090 West Georgia Street  
Vancouver, BC V6E 3V7 Canada

LOCATION NOTICE FOR LODE MINING CLAIM

Amendment BLM Serial # \_\_\_\_\_

NOTICE IS HEREBY GIVEN that the GRMC 102  
\_\_\_\_\_ lode mining claim has been located  
by Gold Road Mining Corp. whose current mailing  
address is Suite 450, 1090 West Georgia Street  
Vancouver, BC V6E 3V7 Canada

RECEIVED  
BLM AZ STATE OFFICE  
PHOENIX, ARIZONA  
2017 DEC 20 A 10:43  
BLM  
Date  
Stamp

The general course of this claim is Northwest-Southeast and it is situated in Mohave  
County, Arizona. This claim is 1500 feet in length and 600 feet in width.

20 Total Claim Acreage. This claim runs from the location monument on which this location notice  
is posted on the centerline of the claim approximately 20 feet in a SE direction to the SE  
end line and 1480 feet in a NW direction to the NW end line. This claim is marked by six  
monuments, one at each corner and one at the center of each end line of the claim.

The location monument on which this notice is posted is situated within Section 22, Township 19  
N, Range 20 W, Gila Salt River Base and Meridian, Arizona and this claim encompasses portions  
of the following quarter section(s), section(s), Township(s) and Range(s) \_\_\_\_\_  
SE1/4 Sec.15 and NE1/4 S22 T19N R20W

Gila Salt River Base and Meridian, Arizona.

The locality of this claim with reference to some natural object or permanent monument and additional information  
(if any) concerning its locality are as follows: \_\_\_\_\_

NW claim corner is 2.435'W 461'S from NE corner of Sec.22 T19N R20W

\_\_\_\_\_ The above information is shown on the attached map.

DATED AND POSTED on the ground this 29th day of November, 2017.

LOCATOR(s)  AGENT

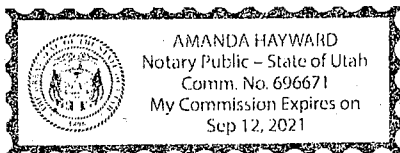
Print Name(s) Stuart Burgess

Signature(s) \_\_\_\_\_

State of Utah  
County of Salt Lake

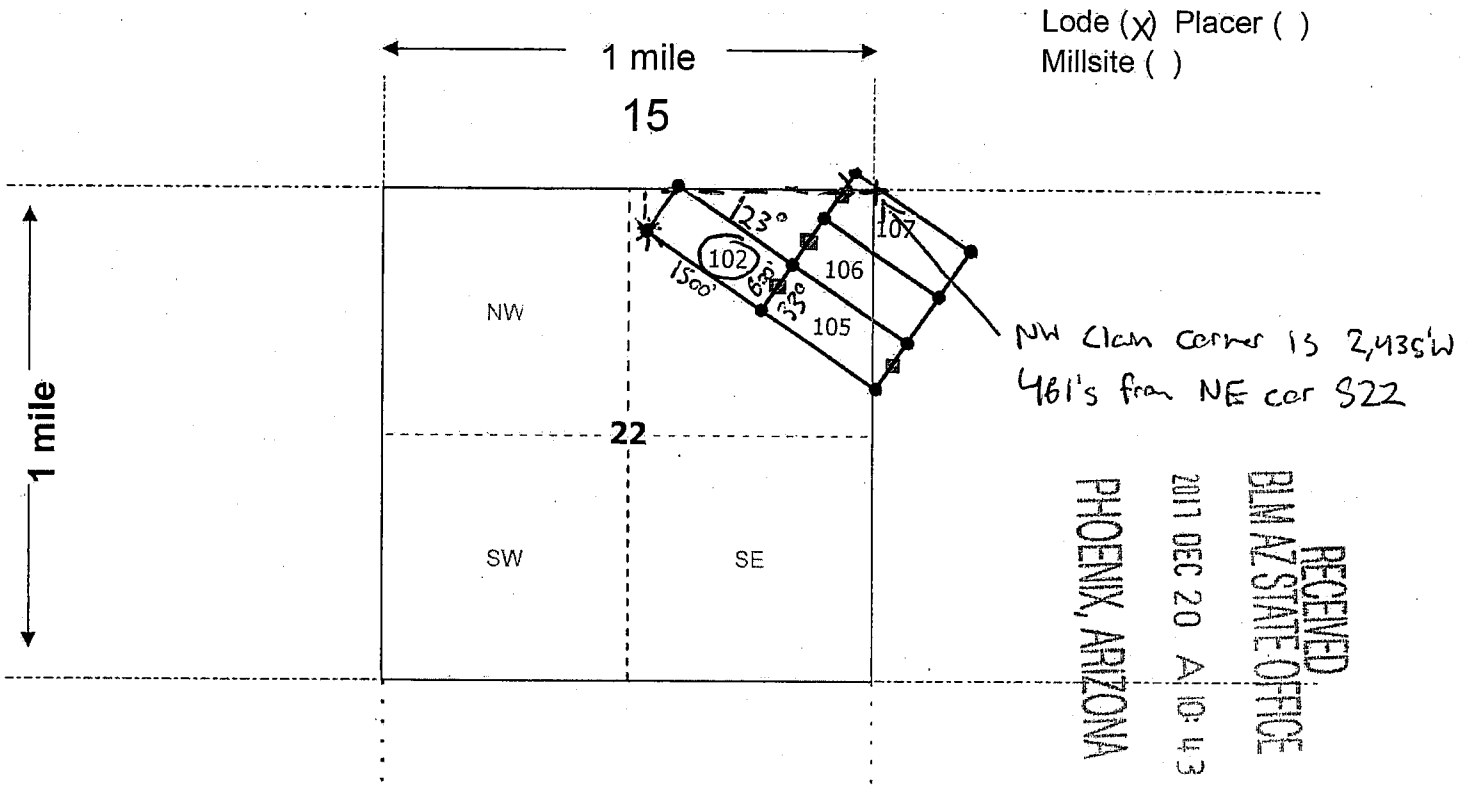
This instrument was signed and sworn to before me  
on 12/2/17 by Stuart Burgess  
(Name of signer)

AMH  
(Notary Signature)  
[Affix seal/stamp to the left or below]



AMC448293

**MINING CLAIM MAP**



RECEIVED  
 BLM AZ STATE OFFICE  
 2011 DEC 20 A 10:43  
 PHOENIX, ARIZONA

Scale: 1" = 2000 feet



- The above map depicts the GRMC 102 mining claim, which is located in Section (s) 15, 22, Township 19 N, Range 20 W, Gila and Salt River Base and Meridian, Mohave County, Arizona. Total claim acreage is 20
- The type of corner and location monuments used are as follows: 2"X2"X50" wooden posts with metal tags or rock monument
- The bearings and distances in degrees and feet between claim corners and to a public land survey monument are as depicted on the map.
- If the claim is a placer or millsite claim with exterior limits conforming to legal subdivisions of the public survey, provide a legal description of the claim \_\_\_\_\_

AMC 448293

Form MCF100a  
 Revised July 2014

2E.

Gold Road Mining Corp.  
Suite 450, 1090 West Georgia Street  
Vancouver, BC V6E 3V7 Canada

WHEN RECORDED MAIL TO (MC):

FENNEMORE CRAIG  
2394 EAST CAMELBACK RD  
SUITE 600  
PHOENIX AZ 85016

**FEE# 2017062282**

OFFICIAL RECORDS  
OF MOHAVE COUNTY  
KRISTI BLAIR,  
COUNTY RECORDER



12/26/2017 02:27 PM Fee: \$10.00

PAGE: 1 of 2

**LOCATION NOTICE FOR LODE MINING CLAIM**

Amendment BLM Serial # \_\_\_\_\_

NOTICE IS HEREBY GIVEN that the GRMC 103  
\_\_\_\_\_ lode mining claim has been located  
by Gold Road Mining Corp. whose current mailing  
address is Suite 450, 1090 West Georgia Street  
Vancouver, BC V6E 3V7 Canada

RECEIVED  
BLM AZ STATE OFFICE  
2017 DEC 20 A 10:47  
PHOENIX, ARIZONA  
BLM  
Date  
Stamp

The general course of this claim is Northwest-Southeast and it is situated in Mohave  
County, Arizona. This claim is 1500 feet in length and 600 feet in width.

20 Total Claim Acreage. This claim runs from the location monument on which this location notice  
is posted on the centerline of the claim approximately 20 feet in a SE direction to the SE  
end line and 1480 feet in a NW direction to the NW end line. This claim is marked by six  
monuments, one at each corner and one at the center of each end line of the claim.

The location monument on which this notice is posted is situated within Section 22, Township 19  
N, Range 20 W, Gila Salt River Base and Meridian, Arizona and this claim encompasses portions  
of the following quarter section(s), section(s), Township(s) and Range(s) \_\_\_\_\_  
SE1/4 Sec.15 and NE1/4 Sec.22 T19N R20W

Gila Salt River Base and Meridian, Arizona.

The locality of this claim with reference to some natural object or permanent monument and additional information  
(if any) concerning its locality are as follows: \_\_\_\_\_

NW claim corner is 2.099'W 27'N from SE corner of Sec.15 T19N R20W

\_\_\_\_\_ The above information is shown on the attached map.

DATED AND POSTED on the ground this 29th day of November, 20 17.

LOCATOR(s)  AGENT

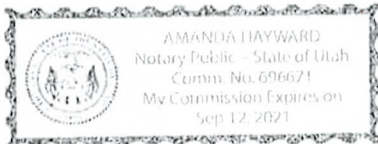
Print Name(s) Stuart Burgess

Signature(s) \_\_\_\_\_

State of Utah,  
County of Salt Lake

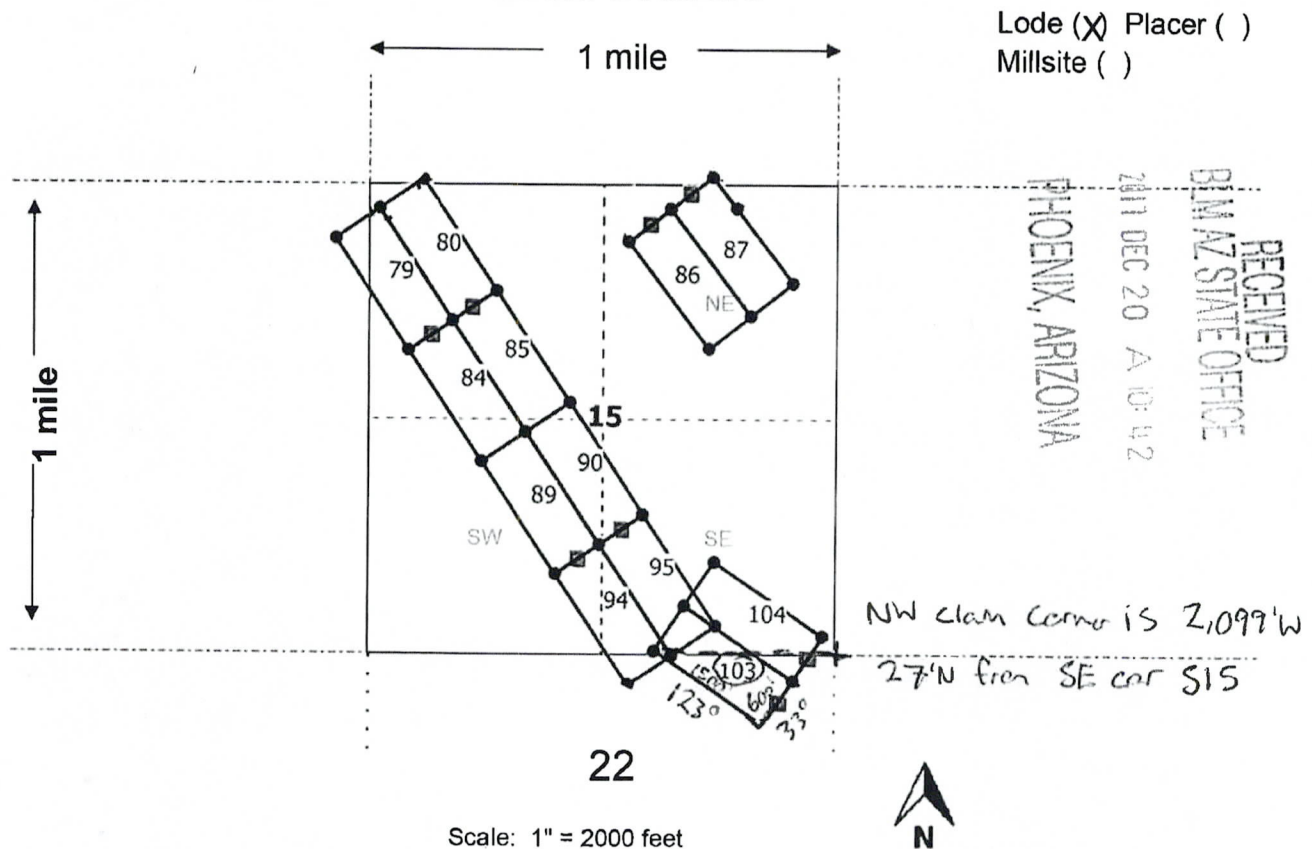
This instrument was signed and sworn to before me  
on 12/2/17 by Stuart Burgess  
(Name of signer)

AKH  
(Notary Signature)  
[Affix seal/stamp to the left or below]



AMC448294

**MINING CLAIM MAP**



- The above map depicts the GRMC 103 mining claim, which is located in Section (s) 15, 22, Township 19 N, Range 20 W, Gila and Salt River Base and Meridian, Mohave County, Arizona. Total claim acreage is 20
- The type of corner and location monuments used are as follows: 2"X2"X50" wooden posts with metal tags or rock monument
- The bearings and distances in degrees and feet between claim corners and to a public land survey monument are as depicted on the map.
- If the claim is a placer or millsite claim with exterior limits conforming to legal subdivisions of the public survey, provide a legal description of the claim \_\_\_\_\_

Form MCF100a  
 Revised July 2014

This form is available from the Arizona Geology Survey and may be reproduced.

AMC 448294



Gold Road Mining Corp.  
Suite 450, 1090 West Georgia Street  
Vancouver, BC V6E 3V7 Canada

**LOCATION NOTICE FOR LODE MINING CLAIM**

Amendment BLM Serial # \_\_\_\_\_

NOTICE IS HEREBY GIVEN that the GRMC 103

\_\_\_\_\_ lode mining claim has been located  
by Gold Road Mining Corp. whose current mailing  
address is Suite 450, 1090 West Georgia Street  
Vancouver, BC V6E 3V7 Canada

RECEIVED  
BLM AZ STATE OFFICE  
2017 DEC 20 A 10:43  
PHOENIX, ARIZONA  
BLM  
Date  
Stamp

The general course of this claim is Northwest-Southeast and it is situated in Mohave  
County, Arizona. This claim is 1500 feet in length and 600 feet in width.

20 Total Claim Acreage. This claim runs from the location monument on which this location notice  
is posted on the centerline of the claim approximately 20 feet in a SE direction to the SE  
end line and 1480 feet in a NW direction to the NW end line. This claim is marked by six  
monuments, one at each corner and one at the center of each end line of the claim.

The location monument on which this notice is posted is situated within Section 22, Township 19  
N, Range 20 W, Gila Salt River Base and Meridian, Arizona and this claim encompasses portions  
of the following quarter section(s), section(s), Township(s) and Range(s) \_\_\_\_\_

SE1/4 Sec.15 and NE1/4 Sec.22 T19N R20W

Gila Salt River Base and Meridian, Arizona.

The locality of this claim with reference to some natural object or permanent monument and additional information  
(if any) concerning its locality are as follows: \_\_\_\_\_

NW claim corner is 2,099'W 27'N from SE corner of Sec.15 T19N R20W

\_\_\_\_\_ The above information is shown on the attached map.

DATED AND POSTED on the ground this 29th day of November, 20 17.

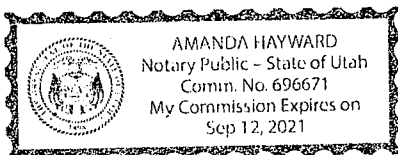
LOCATOR(s)  AGENT

Print Name(s) Stuart Burgess

Signature(s) \_\_\_\_\_

State of Utah,  
County of Salt Lake

This instrument was signed and sworn to before me  
on 12/2/17 by Stuart Burgess  
(Name of signer)

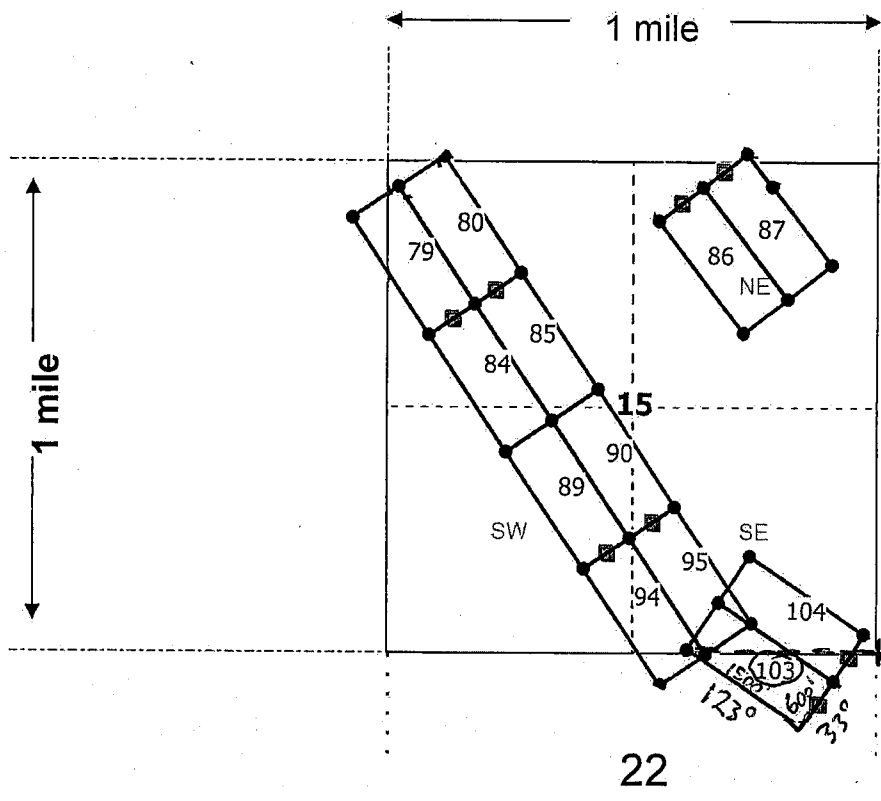


AH  
(Notary Signature)  
[Affix seal/stamp to the left or below]

AMC448294

**MINING CLAIM MAP**

Lode (X) Placer ( )  
Millsite ( )



RECEIVED  
 BLM AZ STATE OFFICE  
 2017 DEC 20 A 10:42  
 PHOENIX, ARIZONA

NW claim corner is 2,099'W  
27'N from SE cor S15

Scale: 1" = 2000 feet



- The above map depicts the GRMC 103 mining claim, which is located in Section (s) 15, 22, Township 19 N, Range 20 W, Gila and Salt River Base and Meridian, Mohave County, Arizona. Total claim acreage is 20
- The type of corner and location monuments used are as follows: 2"X2"X50" wooden posts with metal tags or rock monument
- The bearings and distances in degrees and feet between claim corners and to a public land survey monument are as depicted on the map.
- If the claim is a placer or millsite claim with exterior limits conforming to legal subdivisions of the public survey, provide a legal description of the claim \_\_\_\_\_

ANCH48294

Form MCF100a  
Revised July 2014

2E

Gold Road Mining Corp.  
Suite 450, 1090 West Georgia Street  
Vancouver, BC V6E 3V7 Canada

WHEN RECORDED MAIL TO (MC):

FENNEMORE CRAIG  
2394 EAST CAMELBACK RD  
SUITE 600  
PHOENIX AZ 85016

**FEE# 2017062283**

OFFICIAL RECORDS  
OF MOHAVE COUNTY  
KRISTI BLAIR,  
COUNTY RECORDER



12/26/2017 02:27 PM Fee: \$10.00

PAGE: 1 of 2

**LOCATION NOTICE FOR LODE MINING CLAIM**

Amendment BLM Serial # \_\_\_\_\_

NOTICE IS HEREBY GIVEN that the GRMC 104  
\_\_\_\_\_ lode mining claim has been located  
by Gold Road Mining Corp. whose current mailing  
address is Suite 450, 1090 West Georgia Street  
Vancouver, BC V6E 3V7 Canada

RECEIVED  
BLM AZ STATE OFFICE  
2017 DEC 20 A 10:42  
PHOENIX, ARIZONA  
BLM  
Date  
Stamp

The general course of this claim is Northwest-Southeast and it is situated in Mohave  
County, Arizona. This claim is 1500 feet in length and 600 feet in width.

20 Total Claim Acreage. This claim runs from the location monument on which this location notice  
is posted on the centerline of the claim approximately 20 feet in a SE direction to the SE  
end line and 1480 feet in a NW direction to the NW end line. This claim is marked by six  
monuments, one at each corner and one at the center of each end line of the claim.

The location monument on which this notice is posted is situated within Section 22, Township 19  
N, Range 20 W, Gila Salt River Base and Meridian, Arizona and this claim encompasses portions  
of the following quarter section(s), section(s), Township(s) and Range(s) \_\_\_\_\_  
SE1/4 Sec.15 and NE1/4 Sec.22 T19N R20W

Gila Salt River Base and Meridian, Arizona.

The locality of this claim with reference to some natural object or permanent monument and additional information  
(if any) concerning its locality are as follows: \_\_\_\_\_

NW claim corner is 1,754'W 528'N from SE corner of Sec.15 T19N R20W

\_\_\_\_\_ The above information is shown on the attached map.

DATED AND POSTED on the ground this 29th day of November, 20 17.

LOCATOR(s)  AGENT

Print Name(s) Stuart Burgess

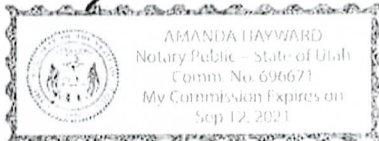
Signature(s) \_\_\_\_\_

State of Utah  
County of Salt Lake

This instrument was signed and sworn to before me  
on 12/2/17 by Stuart Burgess  
(Name of signer)

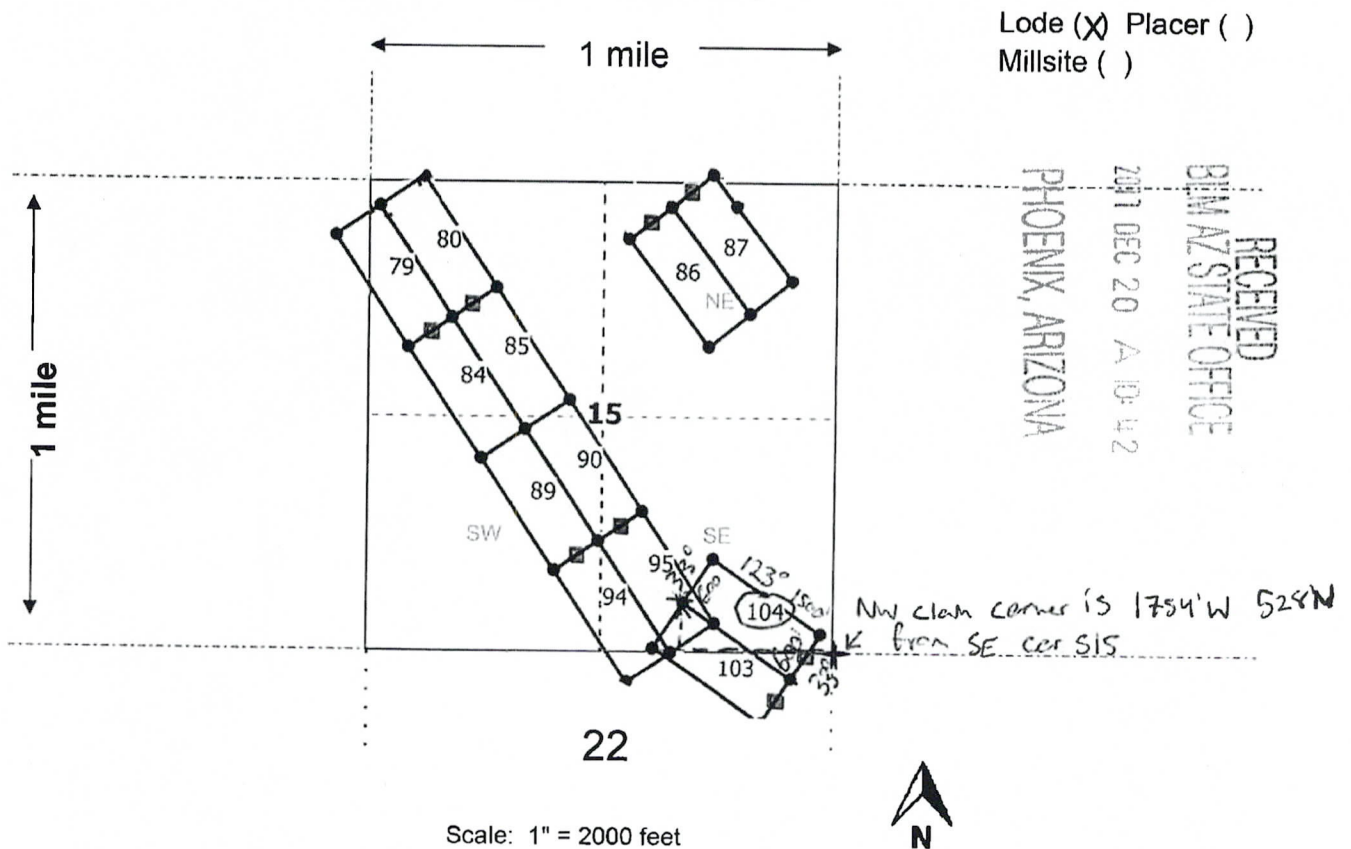
AKH  
(Notary Signature)

[Affix seal/stamp to the left or below]



AMC448295

**MINING CLAIM MAP**



- The above map depicts the GRMC 104 mining claim, which is located in Section (s) 15,22, Township 19 N, Range 20 W, Gila and Salt River Base and Meridian, Mohave County, Arizona. Total claim acreage is 20
- The type of corner and location monuments used are as follows: 2"X2"X50" wooden posts with metal tags or rock monument
- The bearings and distances in degrees and feet between claim corners and to a public land survey monument are as depicted on the map.
- If the claim is a placer or millsite claim with exterior limits conforming to legal subdivisions of the public survey, provide a legal description of the claim \_\_\_\_\_

AMC 448295

Form MCF100a  
 Revised July 2014

This form is available from the Arizona Geology Survey and may be reproduced.

Gold Road Mining Corp.  
Suite 450, 1090 West Georgia Street  
Vancouver, BC V6E 3V7 Canada

LOCATION NOTICE FOR LODE MINING CLAIM

Amendment BLM Serial # \_\_\_\_\_

NOTICE IS HEREBY GIVEN that the GRMC 104

\_\_\_\_\_ lode mining claim has been located  
by Gold Road Mining Corp whose current mailing  
address is Suite 450, 1090 West Georgia Street  
Vancouver, BC V6E 3V7 Canada

BLM  
Date  
Stamp

RECEIVED  
BLM AZ STATE OFFICE  
2017 DEC 20 A 10:42  
PHOENIX, ARIZONA

The general course of this claim is Northwest-Southeast and it is situated in Mohave  
County, Arizona. This claim is 1500 feet in length and 600 feet in width.

20 Total Claim Acreage. This claim runs from the location monument on which this location notice  
is posted on the centerline of the claim approximately 20 feet in a SE direction to the SE  
end line and 1480 feet in a NW direction to the NW end line. This claim is marked by six  
monuments, one at each corner and one at the center of each end line of the claim.

The location monument on which this notice is posted is situated within Section 22, Township 19  
N, Range 20 W, Gila Salt River Base and Meridian, Arizona and this claim encompasses portions  
of the following quarter section(s), section(s), Township(s) and Range(s) \_\_\_\_\_

SE1/4 Sec.15 and NE1/4 Sec.22 T19N R20W  
Gila Salt River Base and Meridian, Arizona.

The locality of this claim with reference to some natural object or permanent monument and additional information  
(if any) concerning its locality are as follows: \_\_\_\_\_

NW claim corner is 1,754'W 528'N from SE corner of Sec.15 T19N R20W

\_\_\_\_\_ The above information is shown on the attached map.

DATED AND POSTED on the ground this 29<sup>th</sup> day of November, 2017.

LOCATOR(s)  AGENT

Print Name(s) Stuart Burgess

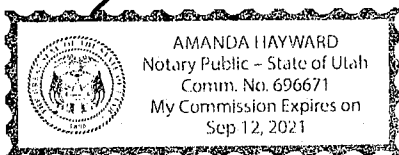
Signature(s) \_\_\_\_\_

State of Utah  
County of Salt Lake

This instrument was signed and sworn to before me  
on 12/2/17 by Stuart Burgess  
(Name of signer)

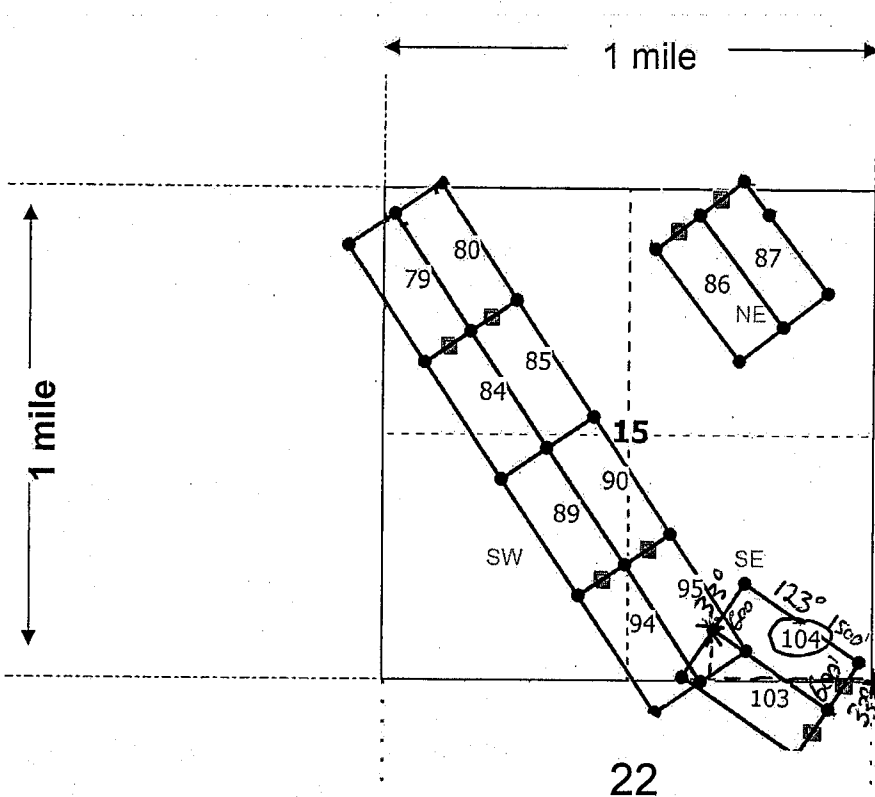
AMH  
(Notary Signature)

[Affix seal/stamp to the left or below]



AMC 448295

**MINING CLAIM MAP**



Lode (X) Placer ( )  
Millsite ( )

PHOENIX, ARIZONA

2011 DEC 20 A 10:42

RECEIVED  
BIMAZ STATE OFFICE

Nw claim center is 1754' W 528' N  
from SE. cor S15

Scale: 1" = 2000 feet



1. The above map depicts the GRMC 104 mining claim, which is located in Section (s) 15, 22, Township 19 N, Range 20 W, Gila and Salt River Base and Meridian, Mohave County, Arizona. Total claim acreage is 20

2. The type of corner and location monuments used are as follows: 2"X2"X50" wooden posts with metal tags or rock monument

3. The bearings and distances in degrees and feet between claim corners and to a public land survey monument are as depicted on the map.

4. If the claim is a placer or millsite claim with exterior limits conforming to legal subdivisions of the public survey, provide a legal description of the claim \_\_\_\_\_

Form MCF100a  
Revised July 2014

This form is available from the Arizona Geology Survey and may be reproduced.

AMC 448295

2E. ...

Gold Road Mining Corp.  
Suite 450, 1090 West Georgia Street  
Vancouver, BC V6E 3V7 Canada

WHEN RECORDED MAIL TO (MC):

FENNEMORE CRAIG  
2394 EAST CAMELBACK RD  
SUITE 600  
PHOENIX AZ 85016

FEE# 2017062284

OFFICIAL RECORDS  
OF MOHAVE COUNTY  
KRISTI BLAIR,  
COUNTY RECORDER



12/26/2017 02:27 PM Fee: \$10.00

PAGE: 1 of 2

LOCATION NOTICE FOR LODE MINING CLAIM

Amendment BLM Serial # \_\_\_\_\_

NOTICE IS HEREBY GIVEN that the GRMC 105  
\_\_\_\_\_ lode mining claim has been located  
by Gold Road Mining Corp. whose current mailing  
address is Suite 450, 1090 West Georgia Street  
Vancouver, BC V6E 3V7 Canada

RECEIVED  
DELM AZ STATE OFFICE  
PHOENIX, ARIZONA  
DEC 20 A 10:42  
BLM  
Date  
Stamp

The general course of this claim is Northwest-Southeast and it is situated in Mohave  
County, Arizona. This claim is 1500 feet in length and 600 feet in width.

20 Total Claim Acreage. This claim runs from the location monument on which this location notice  
is posted on the centerline of the claim approximately 20 feet in a NW direction to the NW  
end line and 1480 feet in a SE direction to the SE end line. This claim is marked by six  
monuments, one at each corner and one at the center of each end line of the claim.

The location monument on which this notice is posted is situated within Section 22, Township 19  
N, Range 20 W, Gila Salt River Base and Meridian, Arizona and this claim encompasses portions  
of the following quarter section(s), section(s), Township(s) and Range(s) \_\_\_\_\_  
NE1/4 Sec.22 and NW1/4 Sec.23 T19N R20W

Gila Salt River Base and Meridian, Arizona.

The locality of this claim with reference to some natural object or permanent monument and additional information  
(if any) concerning its locality are as follows: \_\_\_\_\_

NW claim corner is 1,201'W 1,304'S from NE corner of Sec.22 T19N R20W

\_\_\_\_\_ The above information is shown on the attached map.

DATED AND POSTED on the ground this 29<sup>th</sup> day of November, 20 17.

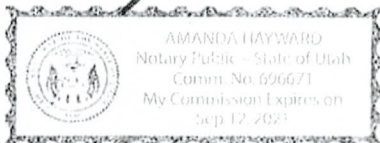
LOCATOR(s)  AGENT

Print Name(s) Stuart Burgess

Signature(s) \_\_\_\_\_

State of Utah  
County of Salt Lake

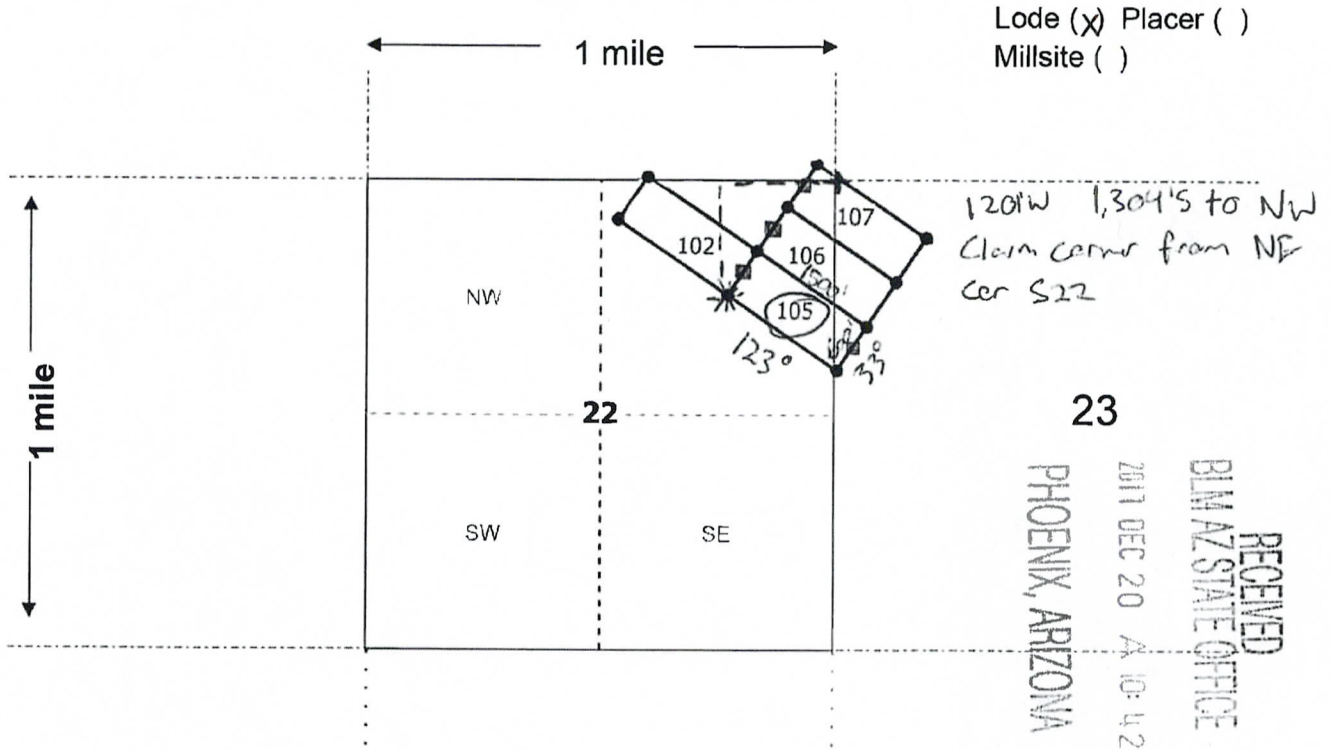
This instrument was signed and sworn to before me  
on 12/2/17 by Stuart Burgess  
(Name of signer)



\_\_\_\_\_  
(Notary Signature)  
[Affix seal/stamp to the left or below]

AMC448296

**MINING CLAIM MAP**



RECEIVED  
BLM AZ STATE OFFICE  
2011 DEC 20 A 10:42  
PHOENIX, ARIZONA

Scale: 1" = 2000 feet

- The above map depicts the GRMC 105 mining claim, which is located in Section (s) 22, 23, Township 19 N, Range 20 W, Gila and Salt River Base and Meridian, Mohave County, Arizona. Total claim acreage is 20
- The type of corner and location monuments used are as follows: 2"X2"X50" wooden posts with metal tags or rock monument
- The bearings and distances in degrees and feet between claim corners and to a public land survey monument are as depicted on the map.
- If the claim is a placer or millsite claim with exterior limits conforming to legal subdivisions of the public survey, provide a legal description of the claim \_\_\_\_\_

AMC 448296

Form MCF100a  
Revised July 2014

This form is available from the Arizona Geology Survey and may be reproduced.



Gold Road Mining Corp.  
Suite 450, 1090 West Georgia Street  
Vancouver, BC V6E 3V7 Canada

**LOCATION NOTICE FOR LODE MINING CLAIM**

Amendment BLM Serial # \_\_\_\_\_

NOTICE IS HEREBY GIVEN that the GRMC 105  
\_\_\_\_\_ lode mining claim has been located  
by Gold Road Mining Corp. whose current mailing  
address is Suite 450, 1090 West Georgia Street  
Vancouver, BC V6E 3V7 Canada

RECEIVED  
BLM AZ STATE OFFICE  
PHOENIX, ARIZONA  
2017 DEC 20 A 10:42  
BLM  
Date  
Stamp

The general course of this claim is Northwest-Southeast and it is situated in Mohave  
County, Arizona. This claim is 1500 feet in length and 600 feet in width.

20 Total Claim Acreage. This claim runs from the location monument on which this location notice  
is posted on the centerline of the claim approximately 20 feet in a NW direction to the NW  
end line and 1480 feet in a SE direction to the SE end line. This claim is marked by six  
monuments, one at each corner and one at the center of each end line of the claim.

The location monument on which this notice is posted is situated within Section 22, Township 19  
N, Range 20 W, Gila Salt River Base and Meridian, Arizona and this claim encompasses portions  
of the following quarter section(s), section(s), Township(s) and Range(s) \_\_\_\_\_  
NE1/4 Sec.22 and NW1/4 Sec.23 T19N R20W

Gila Salt River Base and Meridian, Arizona.

The locality of this claim with reference to some natural object or permanent monument and additional information  
(if any) concerning its locality are as follows: \_\_\_\_\_

NW claim corner is 1,201'W 1,304'S from NE corner of Sec.22 T19N R20W

\_\_\_\_\_ The above information is shown on the attached map.

DATED AND POSTED on the ground this 29th day of November, 2017.

LOCATOR(s)  AGENT

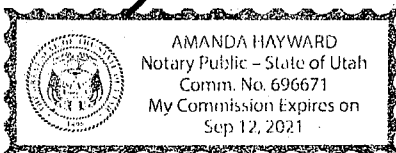
Print Name(s) Stuart Burgess

Signature(s) \_\_\_\_\_

State of Utah  
County of Salt Lake

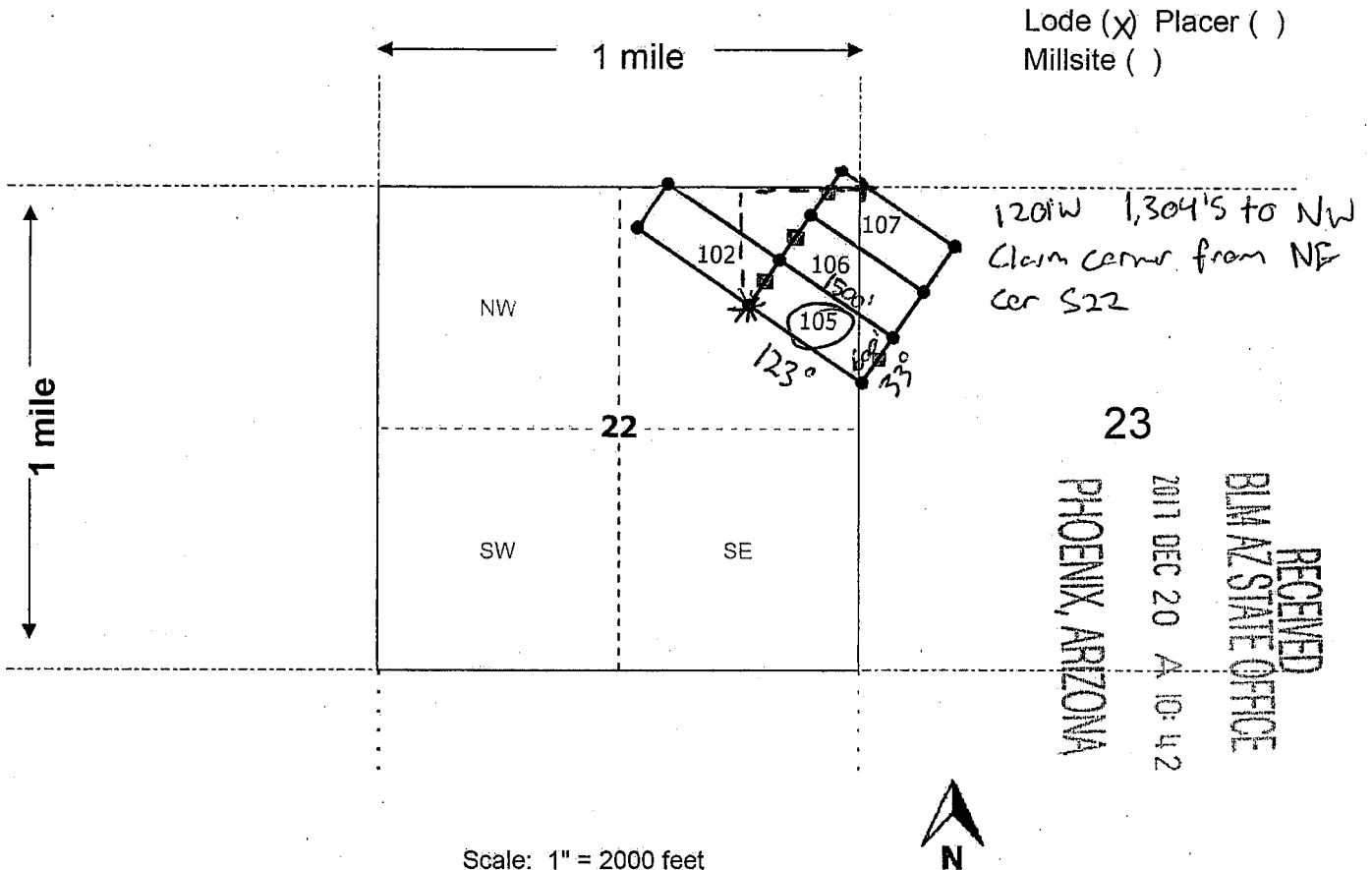
This instrument was signed and sworn to before me  
on 12/2/17 by Stuart Burgess  
(Name of signer)

AH  
(Notary Signature)  
[Affix seal/stamp to the left or below]



AMC448296

**MINING CLAIM MAP**



Lode (X) Placer ( )  
Millsite ( )

RECEIVED  
BIA AZ STATE OFFICE  
2011 DEC 20 A 10:42  
PHOENIX, ARIZONA

1. The above map depicts the GRMC 105 mining claim, which is located in Section (s) 22,23, Township 19 N, Range 20 W, Gila and Salt River Base and Meridian, Mohave County, Arizona. Total claim acreage is 20
2. The type of corner and location monuments used are as follows: 2"X2"X50" wooden posts with metal tags or rock monument
3. The bearings and distances in degrees and feet between claim corners and to a public land survey monument are as depicted on the map.
4. If the claim is a placer or millsite claim with exterior limits conforming to legal subdivisions of the public survey, provide a legal description of the claim \_\_\_\_\_

AMC448296

Form MCF100a  
Revised July 2014

2E

Gold Road Mining Corp.  
Suite 450, 1090 West Georgia Street  
Vancouver, BC V6E 3V7 Canada

WHEN RECORDED MAIL TO (MC):

FENNEMORE CRAIG  
2394 EAST CAMELBACK RD  
SUITE 600  
PHOENIX AZ 85016

**FEE# 2017062285**

OFFICIAL RECORDS  
OF MOHAVE COUNTY  
KRISTI BLAIR,  
COUNTY RECORDER



12/26/2017 02:27 PM Fee: \$10.00

PAGE: 1 of 2

**LOCATION NOTICE FOR LODE MINING CLAIM**

Amendment BLM Serial # \_\_\_\_\_

NOTICE IS HEREBY GIVEN that the GRMC 106  
\_\_\_\_\_ lode mining claim has been located  
by Gold Road Mining Corp whose current mailing  
address is Suite 450, 1090 West Georgia Street  
Vancouver, BC V6E 3V7 Canada

RECEIVED  
BLM STATE OFFICE  
2017 DEC 20 A 10:42  
PHOENIX, ARIZONA  
BLM  
Date  
Stamp

The general course of this claim is Northwest-Southeast and it is situated in Mohave  
County, Arizona. This claim is 1500 feet in length and 600 feet in width.

20 Total Claim Acreage. This claim runs from the location monument on which this location notice  
is posted on the centerline of the claim approximately 20 feet in a NW direction to the NW  
end line and 1480 feet in a SE direction to the SE end line. This claim is marked by six  
monuments, one at each corner and one at the center of each end line of the claim.

The location monument on which this notice is posted is situated within Section 22, Township 19  
N, Range 20 W, Gila Salt River Base and Meridian, Arizona and this claim encompasses portions  
of the following quarter section(s), section(s), Township(s) and Range(s) \_\_\_\_\_  
NE1/4 Sec.22 and NW1/4 Sec.23 T19N R20W

Gila Salt River Base and Meridian, Arizona.

The locality of this claim with reference to some natural object or permanent monument and additional information  
(if any) concerning its locality are as follows: \_\_\_\_\_

NW claim corner is 865'W 812'S from NE corner of Sec.22 T19N R20W

\_\_\_\_\_ The above information is shown on the attached map.

DATED AND POSTED on the ground this 29th day of November, 20 17.

LOCATOR(s)  AGENT

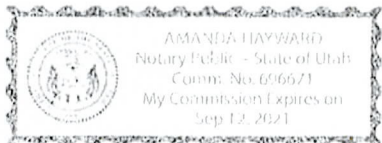
Print Name(s) Stuart Burgess

Signature(s) \_\_\_\_\_

State of Utah  
County of Salt Lake

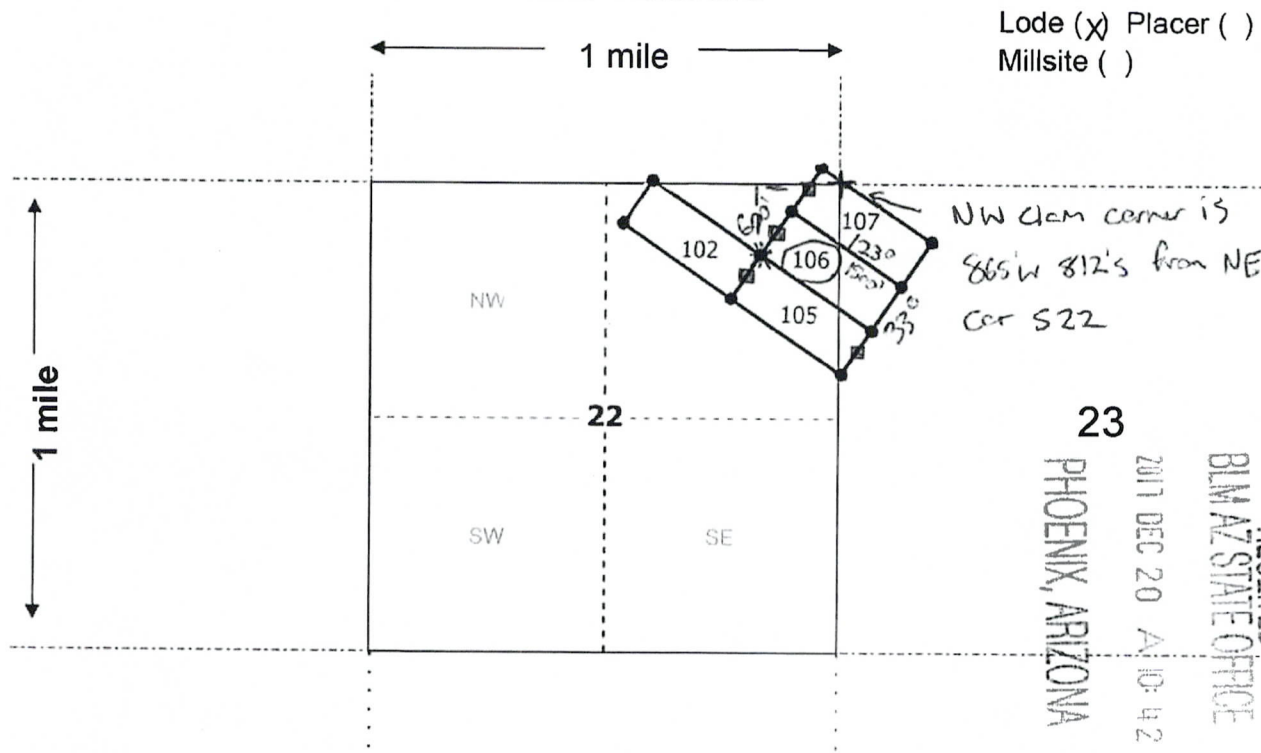
This instrument was signed and sworn to before me  
on 12/2/17 by Stuart Burgess  
(Name of signer)

AKH  
(Notary Signature)  
[Affix seal/stamp to the left or below]



AMC 448297

**MINING CLAIM MAP**



RECEIVED  
 BLM AZ STATE OFFICE  
 2011 DEC 20 AM 10:42  
 PHOENIX, ARIZONA

Scale: 1" = 2000 feet



- The above map depicts the GRMC 106 mining claim, which is located in Section (s) 22, 23, Township 19 N, Range 20 W, Gila and Salt River Base and Meridian, Mohave County, Arizona. Total claim acreage is 20
- The type of corner and location monuments used are as follows: 2"X2"X50" wooden posts with metal tags or rock monument
- The bearings and distances in degrees and feet between claim corners and to a public land survey monument are as depicted on the map.
- If the claim is a placer or millsite claim with exterior limits conforming to legal subdivisions of the public survey, provide a legal description of the claim \_\_\_\_\_

AMC 448297

**Form MCF100a**  
 Revised July 2014

This form is available from the **Arizona Geology Survey** and may be reproduced.

Gold Road Mining Corp.  
Suite 450, 1090 West Georgia Street  
Vancouver, BC V6E 3V7 Canada

**LOCATION NOTICE FOR LODE MINING CLAIM**

Amendment BLM Serial # \_\_\_\_\_

NOTICE IS HEREBY GIVEN that the GRMC 106

\_\_\_\_\_ lode mining claim has been located  
by Gold Road Mining Corp. whose current mailing  
address is Suite 450, 1090 West Georgia Street  
Vancouver, BC V6E 3V7 Canada

RECEIVED  
BIAAZ STATE OFFICE  
2017 DEC 20 A 10:42  
PHOENIX, ARIZONA  
BLM  
Date  
Stamp

The general course of this claim is Northwest-Southeast and it is situated in Mohave  
County, Arizona. This claim is 1500 feet in length and 600 feet in width.

20 Total Claim Acreage. This claim runs from the location monument on which this location notice  
is posted on the centerline of the claim approximately 20 feet in a NW direction to the NW  
end line and 1480 feet in a SE direction to the SE end line. This claim is marked by six  
monuments, one at each corner and one at the center of each end line of the claim.

The location monument on which this notice is posted is situated within Section 22, Township 19  
N, Range 20 W, Gila Salt River Base and Meridian, Arizona and this claim encompasses portions  
of the following quarter section(s), section(s), Township(s) and Range(s) \_\_\_\_\_  
NE1/4 Sec.22 and NW1/4 Sec.23 T19N R20W

Gila Salt River Base and Meridian, Arizona.

The locality of this claim with reference to some natural object or permanent monument and additional information  
(if any) concerning its locality are as follows: \_\_\_\_\_

NW claim corner is 865'W 812'S from NE corner of Sec.22 T19N R20W

\_\_\_\_\_ The above information is shown on the attached map.

DATED AND POSTED on the ground this 29th day of November, 2017.

LOCATOR(s)  AGENT

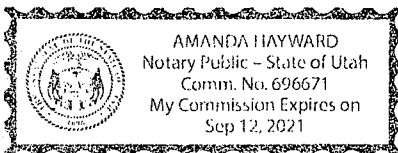
Print Name(s) Stuart Burgess

Signature(s) \_\_\_\_\_

State of Utah  
County of Salt Lake

This instrument was signed and sworn to before me  
on 12/2/17 by Stuart Burgess  
(Name of signer)

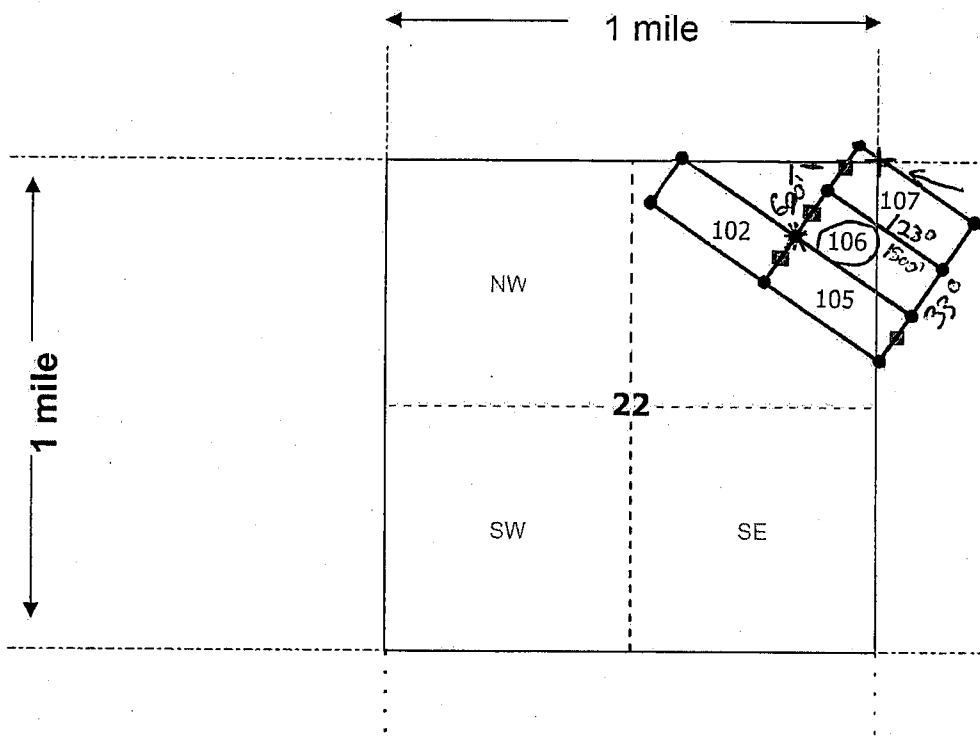
AMH  
(Notary Signature)  
[Affix seal/stamp to the left or below]



AMC448297

**MINING CLAIM MAP**

Lode (X) Placer ( )  
Millsite ( )



NW claim corner is  
865' W 812' S from NE  
Cer S22

23  
2011 DEC 20 A 10:42  
RECEIVED  
BLM AZ STATE OFFICE  
PHOENIX, ARIZONA

Scale: 1" = 2000 feet



1. The above map depicts the GRMC 106 mining claim, which is located in Section (s) 22, 23, Township 19 N, Range 20 W, Gila and Salt River Base and Meridian, Mohave County, Arizona. Total claim acreage is 20

2. The type of corner and location monuments used are as follows: 2"X2"X50" wooden posts with metal tags or rock monument

3. The bearings and distances in degrees and feet between claim corners and to a public land survey monument are as depicted on the map.

4. If the claim is a placer or millsite claim with exterior limits conforming to legal subdivisions of the public survey, provide a legal description of the claim \_\_\_\_\_

Form MCF100a  
Revised July 2014

This form is available from the Arizona Geology Survey and may be reproduced.

AMC 448297

2E

Gold Road Mining Corp.  
Suite 450, 1090 West Georgia Street  
Vancouver, BC V6E 3V7 Canada

WHEN RECORDED MAIL TO (MC):

FENNEMORE CRAIG  
2394 EAST CAMELBACK RD  
SUITE 600  
PHOENIX AZ 85016

**FEE# 2017062286**

OFFICIAL RECORDS  
OF MOHAVE COUNTY  
KRISTI BLAIR,  
COUNTY RECORDER



12/26/2017 02:27 PM Fee: \$10.00

PAGE: 1 of 2

**LOCATION NOTICE FOR LODE MINING CLAIM**

Amendment BLM Serial # \_\_\_\_\_  
NOTICE IS HEREBY GIVEN that the GRMC 107  
\_\_\_\_\_ lode mining claim has been located  
by Gold Road Mining Corp. whose current mailing  
address is Suite 450, 1090 West Georgia Street  
Vancouver, BC V6E 3V7 Canada

RECEIVED  
BLM AZ STATE OFFICE  
2017 DEC 20 A 10:42  
PHOENIX, ARIZONA  
BLM  
Date  
Stamp

The general course of this claim is Northwest-Southeast and it is situated in Mohave  
County, Arizona. This claim is 1500 feet in length and 600 feet in width.

20 Total Claim Acreage. This claim runs from the location monument on which this location notice  
is posted on the centerline of the claim approximately 20 feet in a NW direction to the NW  
end line and 1480 feet in a SE direction to the SE end line. This claim is marked by six  
monuments, one at each corner and one at the center of each end line of the claim.

The location monument on which this notice is posted is situated within Section 22, Township 19  
N, Range 20 W, Gila Salt River Base and Meridian, Arizona and this claim encompasses portions  
of the following quarter section(s), section(s), Township(s) and Range(s) \_\_\_\_\_  
SE1/4 Sec.15 and NE1/4 Sec.22 and NW1/4 Sec.23 and SW1/4 Sec.14 T19N R20W  
Gila Salt River Base and Meridian, Arizona.

The locality of this claim with reference to some natural object or permanent monument and additional information  
(if any) concerning its locality are as follows: \_\_\_\_\_

NW claim corner is 521'W 314'S from NE corner of Sec.22 T19N R20W

\_\_\_\_\_ The above information is shown on the attached map.

DATED AND POSTED on the ground this 29th day of November, 20 17.

LOCATOR(s)  AGENT

Print Name(s) Stuart Burgess

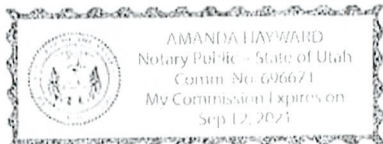
Signature(s) \_\_\_\_\_

State of Utah  
County of Salt Lake

This instrument was signed and sworn to before me  
on 12/2/17 by Stuart Burgess  
(Name of signer)

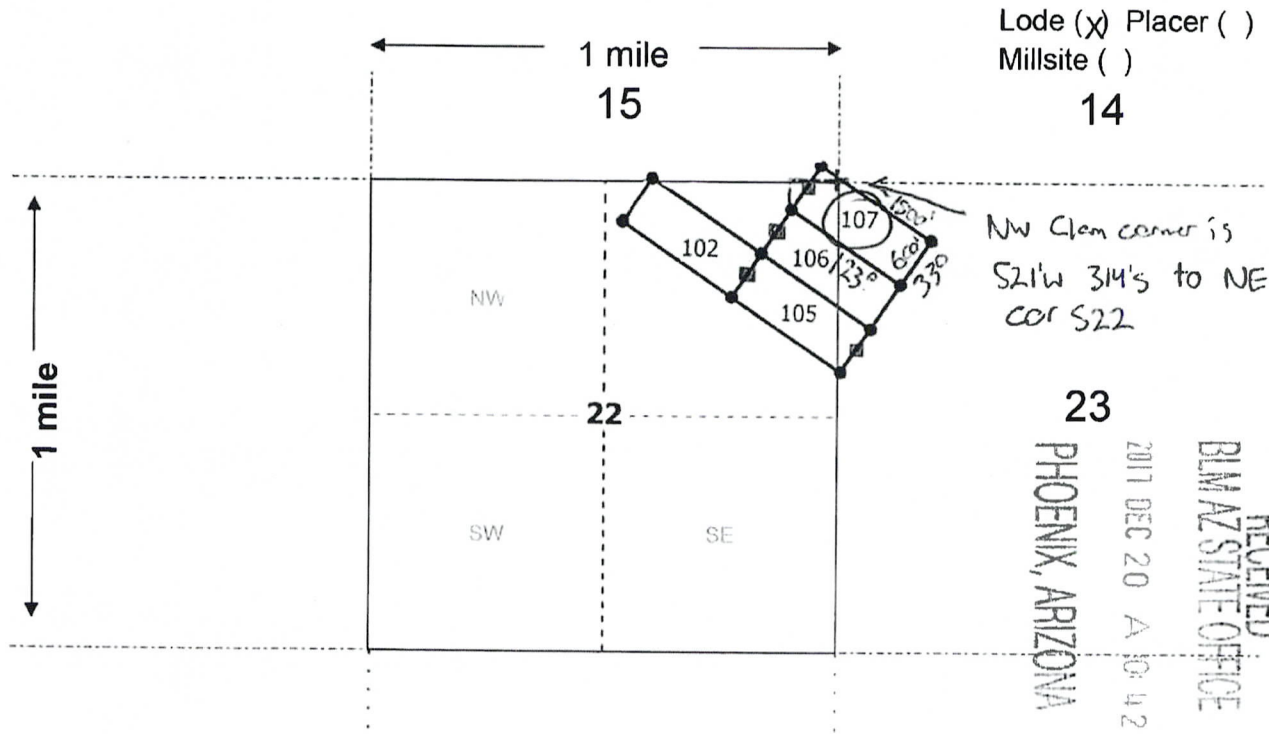
[Signature]  
(Notary Signature)

[Affix seal/stamp to the left or below]



AMC448298

**MINING CLAIM MAP**



Scale: 1" = 2000 feet



1. The above map depicts the GRMC 107 mining claim, which is located in Section (s) 14, 15, 22, 23, Township 19 N, Range 20 W, Gila and Salt River Base and Meridian, Mohave County, Arizona. Total claim acreage is 20

2. The type of corner and location monuments used are as follows: 2"X2"X50" wooden posts with metal tags or rock monument

3. The bearings and distances in degrees and feet between claim corners and to a public land survey monument are as depicted on the map.

4. If the claim is a placer or millsite claim with exterior limits conforming to legal subdivisions of the public survey, provide a legal description of the claim \_\_\_\_\_

Form MCF100a  
Revised July 2014

This form is available from the **Arizona Geology Survey** and may be reproduced.

AMC 448298



Gold Road Mining Corp.  
Suite 450, 1090 West Georgia Street  
Vancouver, BC V6E 3V7 Canada

LOCATION NOTICE FOR LODE MINING CLAIM

Amendment BLM Serial # \_\_\_\_\_

NOTICE IS HEREBY GIVEN that the GRMC 107

\_\_\_\_\_ lode mining claim has been located  
by Gold Road Mining Corp. whose current mailing  
address is Suite 450, 1090 West Georgia Street  
Vancouver, BC V6E 3V7 Canada

RECEIVED  
BLM AZ STATE OFFICE  
2017 DEC 20 A 10:42  
PHOENIX, ARIZONA  
BLM  
Date  
Stamp

The general course of this claim is Northwest-Southeast and it is situated in Mohave  
County, Arizona. This claim is 1500 feet in length and 600 feet in width.

20 Total Claim Acreage. This claim runs from the location monument on which this location notice  
is posted on the centerline of the claim approximately 20 feet in a NW direction to the NW  
end line and 1480 feet in a SE direction to the SE end line. This claim is marked by six  
monuments, one at each corner and one at the center of each end line of the claim.

The location monument on which this notice is posted is situated within Section 22, Township 19  
N, Range 20 W, Gila Salt River Base and Meridian, Arizona and this claim encompasses portions  
of the following quarter section(s), section(s), Township(s) and Range(s) \_\_\_\_\_  
SE1/4 Sec.15 and NE1/4 Sec.22 and NW1/4 Sec.23 and SW1/4 Sec.14 T19N R20W  
Gila Salt River Base and Meridian, Arizona.

The locality of this claim with reference to some natural object or permanent monument and additional information  
(if any) concerning its locality are as follows: \_\_\_\_\_

NW claim corner is 521'W 314'S from NE corner of Sec.22 T19N R20W

\_\_\_\_\_ The above information is shown on the attached map.

DATED AND POSTED on the ground this 29th day of November, 2017.

LOCATOR(s)  AGENT

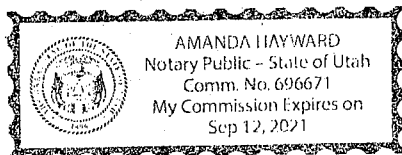
Print Name(s) Stuart Burgess

Signature(s) \_\_\_\_\_

State of Utah  
County of Salt Lake

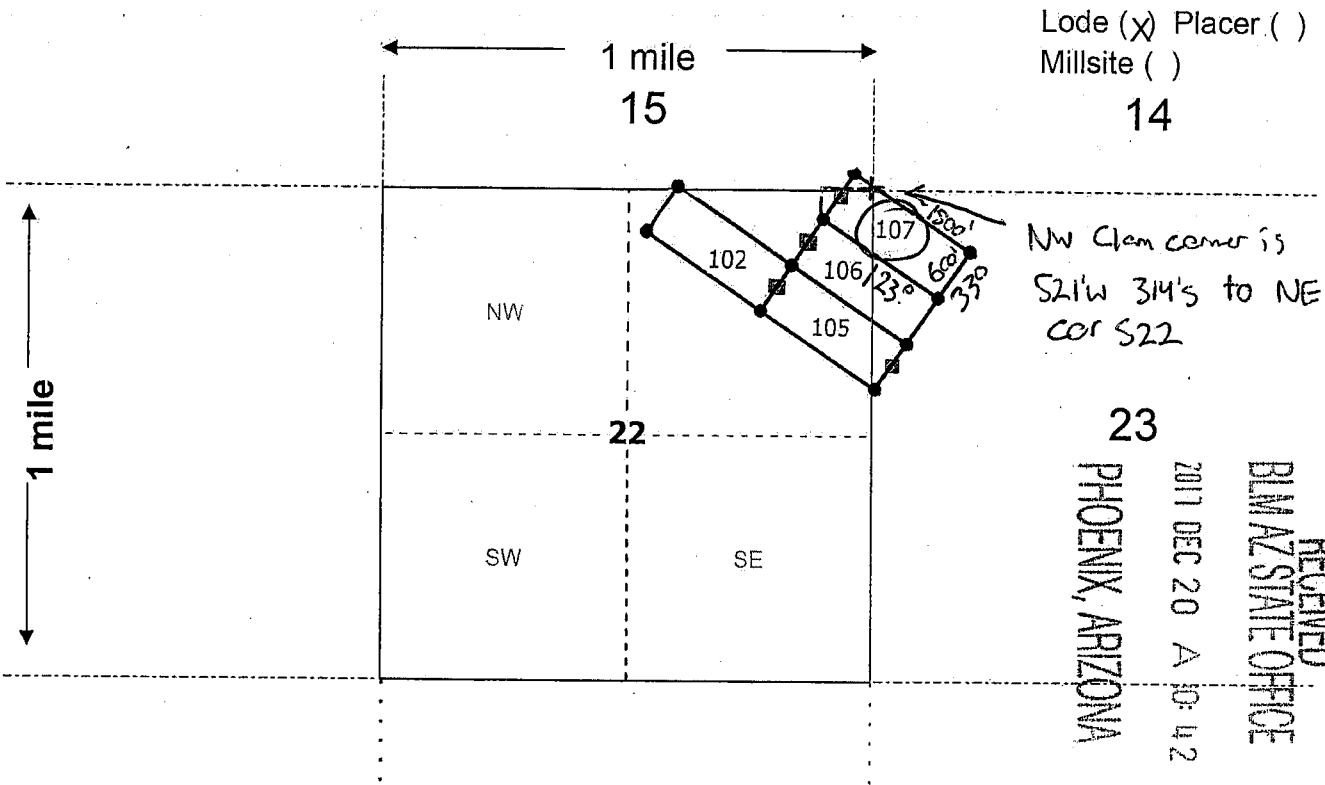
This instrument was signed and sworn to before me  
on 12/2/17 by Stuart Burgess  
(Name of signer)

[Signature]  
(Notary Signature)  
[Affix seal/stamp to the left or below]



AMC448298

**MINING CLAIM MAP**



Scale: 1" = 2000 feet



1. The above map depicts the GRMC 107 mining claim, which is located in Section (s) 14, 15, 22, 23, Township 19 N, Range 20 W, Gila and Salt River Base and Meridian, Mohave County, Arizona. Total claim acreage is 20

2. The type of corner and location monuments used are as follows: 2"X2"X50" wooden posts with metal tags or rock monument

3. The bearings and distances in degrees and feet between claim corners and to a public land survey monument are as depicted on the map.

4. If the claim is a placer or millsite claim with exterior limits conforming to legal subdivisions of the public survey, provide a legal description of the claim \_\_\_\_\_

RECEIVED  
 BLM/AZ STATE OFFICE  
 PHOENIX, ARIZONA  
 2011 DEC 20 A 10:42

AMC 448298

Form MCF100a  
 Revised July 2014

2E

Gold Road Mining Corp.  
Suite 450, 1090 West Georgia Street  
Vancouver, BC V6E 3V7 Canada

WHEN RECORDED MAIL TO (MC):

FENNEMORE CRAIG  
2394 EAST CAMELBACK RD  
SUITE 600  
PHOENIX AZ 85016

**FEE# 2017062287**

OFFICIAL RECORDS  
OF MOHAVE COUNTY  
KRISTI BLAIR,  
COUNTY RECORDER



12/26/2017 02:27 PM Fee: \$10.00

PAGE: 1 of 2

**LOCATION NOTICE FOR LODE MINING CLAIM**

Amendment BLM Serial # \_\_\_\_\_

NOTICE IS HEREBY GIVEN that the GRMC 108  
\_\_\_\_\_ lode mining claim has been located  
by Gold Road Mining Corp. whose current mailing  
address is Suite 450, 1090 West Georgia Street  
Vancouver, BC V6E 3V7 Canada

RECEIVED  
PHOENIX, ARIZONA  
2017 DEC 20 A 10:42  
BLM AZ STATE OFFICE

BLM  
Date  
Stamp

The general course of this claim is Northwest-Southeast and it is situated in Mohave  
County, Arizona. This claim is 1500 feet in length and 600 feet in width.

20 Total Claim Acreage. This claim runs from the location monument on which this location notice  
is posted on the centerline of the claim approximately 20 feet in a NW direction to the NW  
end line and 1480 feet in a SE direction to the SE end line. This claim is marked by six  
monuments, one at each corner and one at the center of each end line of the claim.

The location monument on which this notice is posted is situated within Section 23, Township 19  
N, Range 20 W, Gila Salt River Base and Meridian, Arizona and this claim encompasses portions  
of the following quarter section(s), section(s), Township(s) and Range(s) \_\_\_\_\_  
NW 1/4, SW1/4 Sec.23 T19N R20W

Gila Salt River Base and Meridian, Arizona.

The locality of this claim with reference to some natural object or permanent monument and additional information  
(if any) concerning its locality are as follows: \_\_\_\_\_

NW claim corner is 36'E 2,150'S from NW corner of Sec.23 T19N R20W

\_\_\_\_\_ The above information is shown on the attached map.

DATED AND POSTED on the ground this 29<sup>th</sup> day of November, 20 17.

LOCATOR(s)  AGENT

Print Name(s) Stuart Burgess

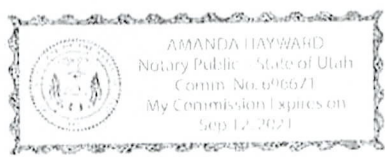
Signature(s) \_\_\_\_\_

State of Utah  
County of Salt Lake

This instrument was signed and sworn to before me  
on 12/2/17 by Stuart Burgess  
(Name of signer)

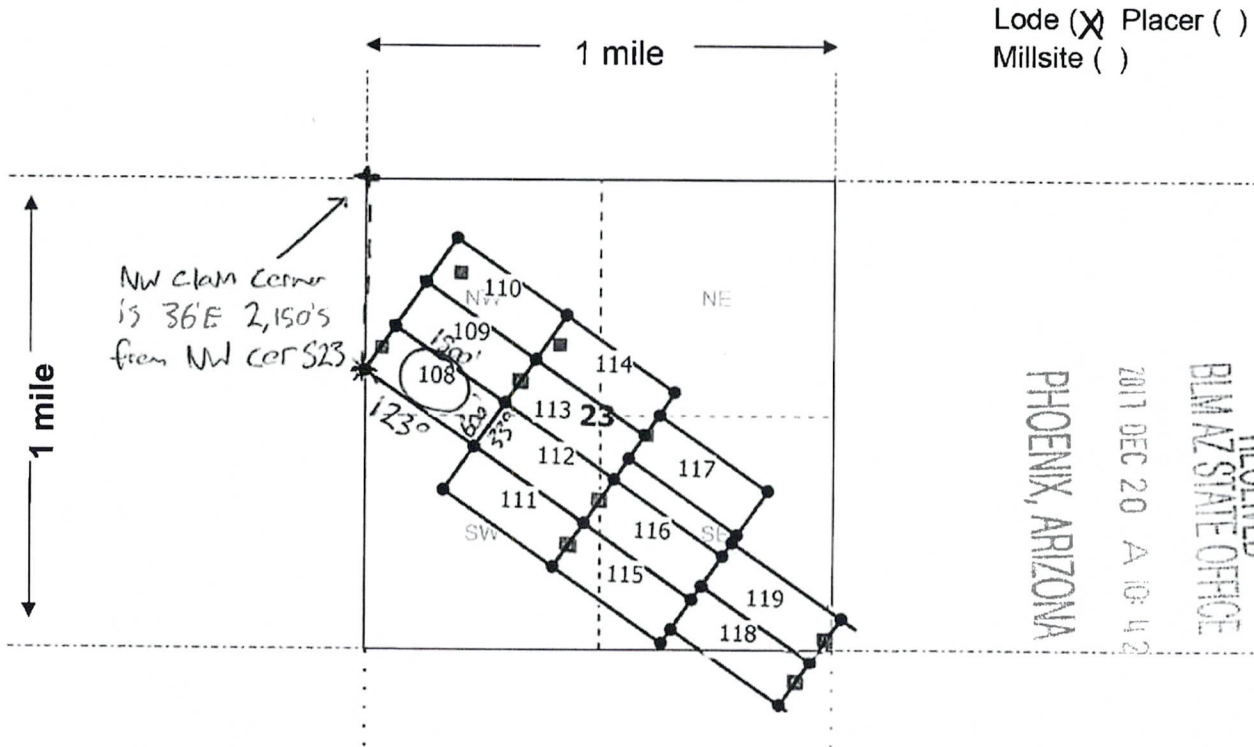
AKH  
(Notary Signature)

[Affix seal/stamp to the left or below]



AMC 448299

**MINING CLAIM MAP**



Lode (X) Placer ( )  
Millsite ( )

NW claim corner  
is 36E 2,150's  
from NW cor S23

RECEIVED  
BLM AZ STATE OFFICE  
2011 DEC 20 A 10:42  
PHOENIX, ARIZONA

Scale: 1" = 2000 feet



1. The above map depicts the GRMC 108 mining claim, which is located in Section (s) 23, Township 19 N, Range 20 W, Gila and Salt River Base and Meridian, Mohave County, Arizona. Total claim acreage is 20

2. The type of corner and location monuments used are as follows: 2"X2"X50" wooden posts with metal tags or rock monument

3. The bearings and distances in degrees and feet between claim corners and to a public land survey monument are as depicted on the map.

4. If the claim is a placer or millsite claim with exterior limits conforming to legal subdivisions of the public survey, provide a legal description of the claim \_\_\_\_\_

AMC 448299

Form MCF100a  
Revised July 2014

This form is available from the **Arizona Geology Survey** and may be reproduced.

Gold Road Mining Corp.  
Suite 450, 1090 West Georgia Street  
Vancouver, BC V6E 3V7 Canada

**LOCATION NOTICE FOR LODE MINING CLAIM**

Amendment BLM Serial # \_\_\_\_\_

NOTICE IS HEREBY GIVEN that the GRMC 108

\_\_\_\_\_ lode mining claim has been located  
by Gold Road Mining Corp. whose current mailing  
address is Suite 450, 1090 West Georgia Street  
Vancouver, BC V6E 3V7 Canada

RECEIVED  
BLM AZ STATE OFFICE  
2017 DEC 20 A 10:42  
PHOENIX, ARIZONA  
BLM  
Date  
Stamp

The general course of this claim is Northwest-Southeast and it is situated in Mohave  
County, Arizona. This claim is 1500 feet in length and 600 feet in width.

20 Total Claim Acreage. This claim runs from the location monument on which this location notice  
is posted on the centerline of the claim approximately 20 feet in a NW direction to the NW  
end line and 1480 feet in a SE direction to the SE end line. This claim is marked by six  
monuments, one at each corner and one at the center of each end line of the claim.

The location monument on which this notice is posted is situated within Section 23, Township 19  
N, Range 20 W, Gila Salt River Base and Meridian, Arizona and this claim encompasses portions  
of the following quarter section(s), section(s), Township(s) and Range(s) \_\_\_\_\_  
NW 1/4, SW1/4 Sec.23 T19N R20W

Gila Salt River Base and Meridian, Arizona.

The locality of this claim with reference to some natural object or permanent monument and additional information  
(if any) concerning its locality are as follows: \_\_\_\_\_

NW claim corner is 36'E 2,150'S from NW corner of Sec.23 T19N R20W

\_\_\_\_\_ The above information is shown on the attached map.

DATED AND POSTED on the ground this 29<sup>th</sup> day of November, 2017.

LOCATOR(s)  AGENT

Print Name(s) Stuart Burgess

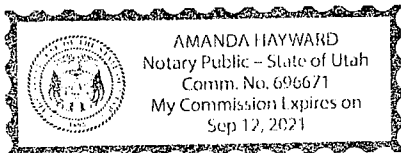
Signature(s) \_\_\_\_\_

State of Utah  
County of Salt Lake

This instrument was signed and sworn to before me  
on 12/2/17 by Stuart Burgess  
(Name of signer)

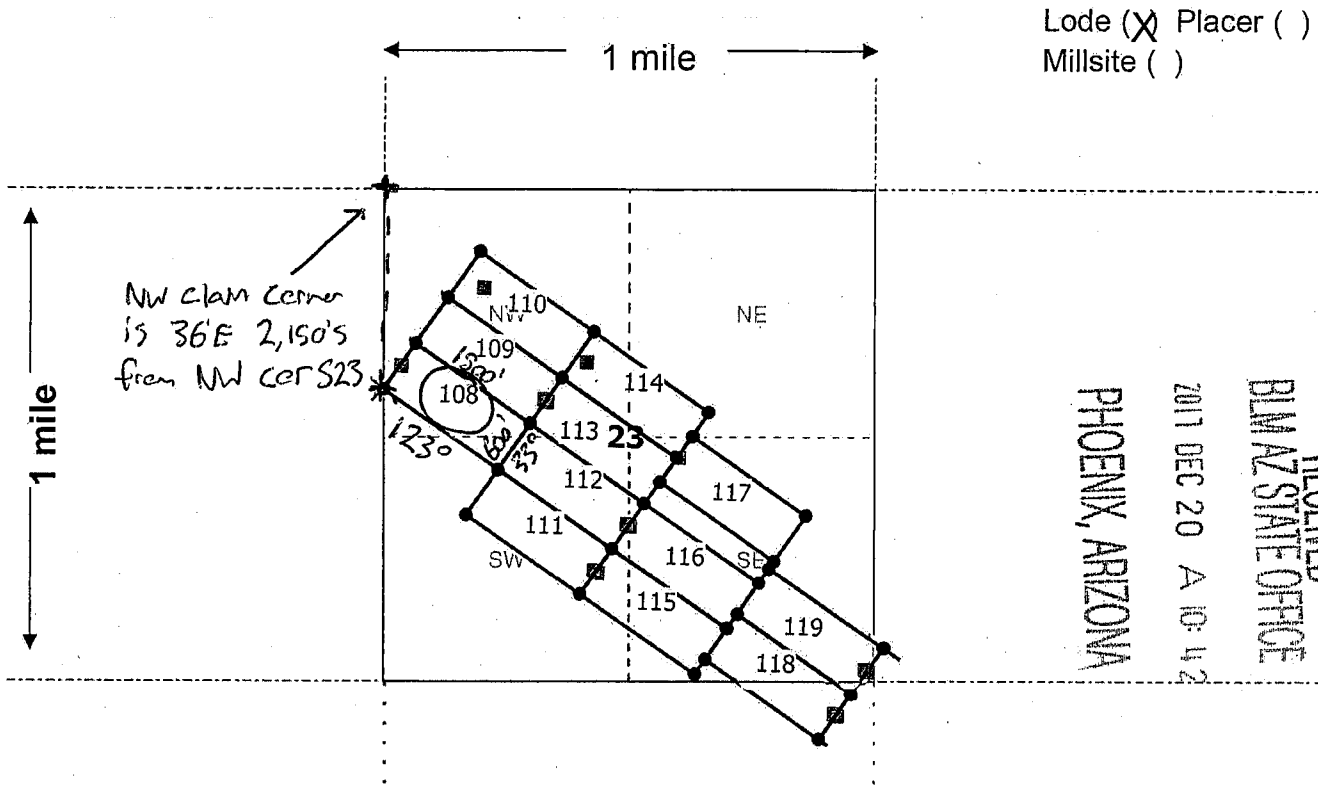
AMH  
(Notary Signature)

[Affix seal/stamp to the left or below]



AMC448299

**MINING CLAIM MAP**



Lode (X) Placer ( )  
Millsite ( )

RECEIVED  
BIMAZ STATE OFFICE  
2017 DEC 20 A 10:42  
PHOENIX, ARIZONA

Scale: 1" = 2000 feet



1. The above map depicts the GRMC 108 mining claim, which is located in Section (s) 23, Township 19 N, Range 20 W, Gila and Salt River Base and Meridian, Mohave County, Arizona. Total claim acreage is 20
2. The type of corner and location monuments used are as follows: 2"X2"X50" wooden posts with metal tags or rock monument
3. The bearings and distances in degrees and feet between claim corners and to a public land survey monument are as depicted on the map.
4. If the claim is a placer or millsite claim with exterior limits conforming to legal subdivisions of the public survey, provide a legal description of the claim \_\_\_\_\_

AMC 448299

Form MCF100a  
Revised July 2014

This form is available from the Arizona Geology Survey and may be reproduced.

2E

Gold Road Mining Corp.  
Suite 450, 1090 West Georgia Street  
Vancouver, BC V6E 3V7 Canada

WHEN RECORDED MAIL TO (MC):

FENNEMORE CRAIG  
2394 EAST CAMELBACK RD  
SUITE 600  
PHOENIX AZ 85016

FEE# 2017062288

OFFICIAL RECORDS  
OF MOHAVE COUNTY  
KRISTI BLAIR,  
COUNTY RECORDER



12/26/2017 02:27 PM Fee: \$10.00

PAGE: 1 of 2

**LOCATION NOTICE FOR LODE MINING CLAIM**

Amendment BLM Serial # \_\_\_\_\_

NOTICE IS HEREBY GIVEN that the GRMC 109  
\_\_\_\_\_ lode mining claim has been located  
by Gold Road Mining Corp. whose current mailing  
address is Suite 450, 1090 West Georgia Street  
Vancouver, BC V6E 3V7 Canada

RECEIVED  
BLM AZ STATE OFFICE  
2017 DEC 20 A 10:12  
PHOENIX, ARIZONA  
BLM  
Date  
Stamp

The general course of this claim is Northwest-Southeast and it is situated in Mohave  
County, Arizona. This claim is 1500 feet in length and 600 feet in width.

20 Total Claim Acreage. This claim runs from the location monument on which this location notice  
is posted on the centerline of the claim approximately 20 feet in a SE direction to the SE  
end line and 1480 feet in a NW direction to the NW end line. This claim is marked by six  
monuments, one at each corner and one at the center of each end line of the claim.

The location monument on which this notice is posted is situated within Section 23, Township 19  
N, Range 20 W, Gila Salt River Base and Meridian, Arizona and this claim encompasses portions  
of the following quarter section(s), section(s), Township(s) and Range(s) \_\_\_\_\_  
NW1/4 Sec.23 T19N R20W

Gila Salt River Base and Meridian, Arizona.

The locality of this claim with reference to some natural object or permanent monument and additional information  
(if any) concerning its locality are as follows: \_\_\_\_\_

NW claim corner is 375'E 1,660'S from NW corner of Sec.23 T19N R20W

\_\_\_\_\_ The above information is shown on the attached map.

DATED AND POSTED on the ground this 30th day of November, 20 17.

LOCATOR(s)  AGENT

Print Name(s) Stuart Burgess

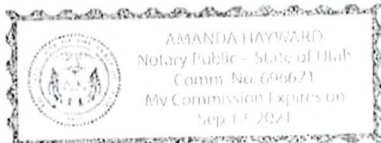
Signature(s) \_\_\_\_\_

State of Utah  
County of Salt Lake

This instrument was signed and sworn to before me  
on 12/2/17 by Stuart Burgess  
(Name of signer)

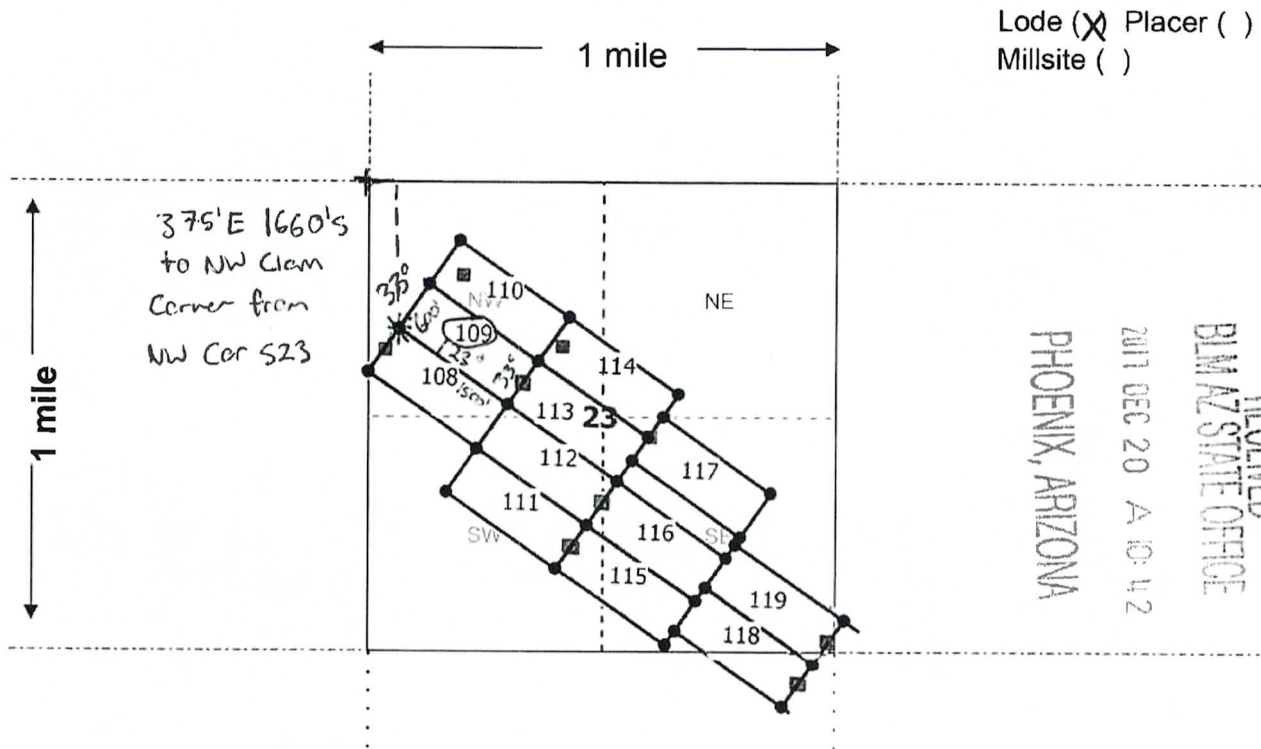
Anti  
(Notary Signature)

[Affix seal/stamp to the left or below]



ANCU48300

**MINING CLAIM MAP**



1. The above map depicts the GRMC 109 mining claim, which is located in Section (s) 23, Township 19 N, Range 20 W, Gila and Salt River Base and Meridian, Mohave County, Arizona. Total claim acreage is 20
2. The type of corner and location monuments used are as follows: 2"X2"X50" wooden posts with metal tags or rock monument
3. The bearings and distances in degrees and feet between claim corners and to a public land survey monument are as depicted on the map.
4. If the claim is a placer or millsite claim with exterior limits conforming to legal subdivisions of the public survey, provide a legal description of the claim \_\_\_\_\_

AMC 448300

Form MCF100a  
 Revised July 2014

This form is available from the Arizona Geology Survey and may be reproduced.



Gold Road Mining Corp.  
Suite 450, 1090 West Georgia Street  
Vancouver, BC V6E 3V7 Canada

**LOCATION NOTICE FOR LODE MINING CLAIM**

Amendment BLM Serial # \_\_\_\_\_

NOTICE IS HEREBY GIVEN that the GRMC 109  
\_\_\_\_\_ lode mining claim has been located  
by Gold Road Mining Corp. whose current mailing  
address is Suite 450, 1090 West Georgia Street  
Vancouver, BC V6E 3V7 Canada

RECEIVED  
BLM STATE OFFICE  
2017 DEC 20 A 10:42  
PHOENIX, ARIZONA  
BLM  
Date  
Stamp

The general course of this claim is Northwest-Southeast and it is situated in Mohave  
County, Arizona. This claim is 1500 feet in length and 600 feet in width.

20 Total Claim Acreage. This claim runs from the location monument on which this location notice  
is posted on the centerline of the claim approximately 20 feet in a SE direction to the SE  
end line and 1480 feet in a NW direction to the NW end line. This claim is marked by six  
monuments, one at each corner and one at the center of each end line of the claim.

The location monument on which this notice is posted is situated within Section 23, Township 19  
N, Range 20 W, Gila Salt River Base and Meridian, Arizona and this claim encompasses portions  
of the following quarter section(s), section(s), Township(s) and Range(s) \_\_\_\_\_  
NW1/4 Sec.23 T19N R20W

Gila Salt River Base and Meridian, Arizona.

The locality of this claim with reference to some natural object or permanent monument and additional information  
(if any) concerning its locality are as follows: \_\_\_\_\_

NW claim corner is 375'E 1,660'S from NW corner of Sec.23 T19N R20W

\_\_\_\_\_ The above information is shown on the attached map.

DATED AND POSTED on the ground this 30th day of November, 2017.

LOCATOR(s)  AGENT

Print Name(s) Stuart Burgess

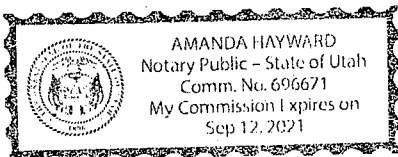
Signature(s) \_\_\_\_\_

State of Utah  
County of Salt Lake

This instrument was signed and sworn to before me  
on 12/2/17 by Stuart Burgess  
(Name of signer)

Anti  
\_\_\_\_\_  
(Notary Signature)

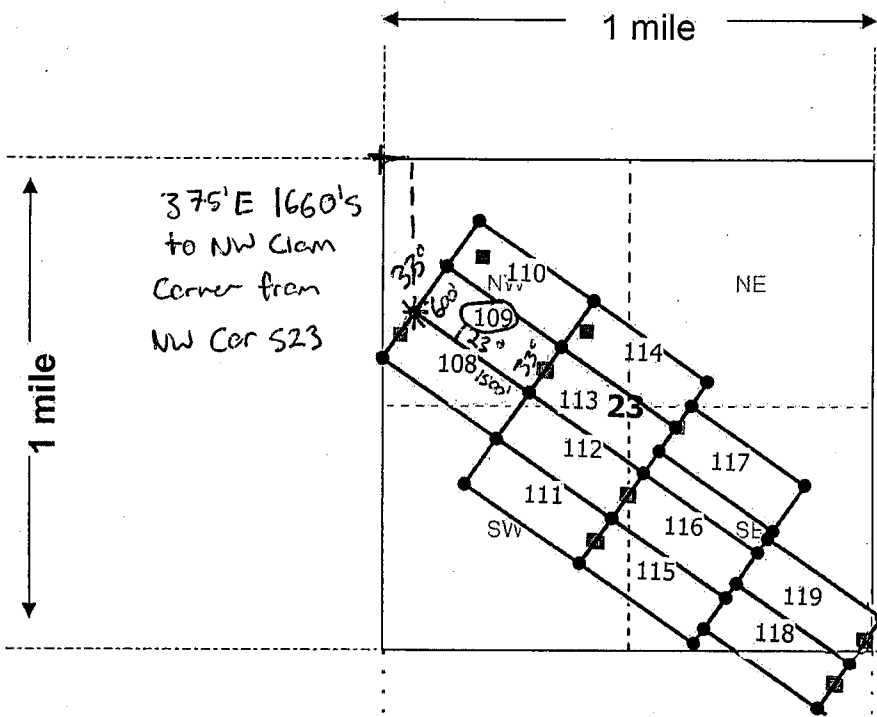
[Affix seal/stamp to the left or below]



AMC448300

**MINING CLAIM MAP**

Lode (X) Placer ( )  
Millsite ( )



375' E 1660's  
to NW Claim  
Corner from  
NW Cor S23

RECEIVED  
BIA AZ STATE OFFICE  
2017 DEC 20 A 10:42  
PHOENIX, ARIZONA

Scale: 1" = 2000 feet



- The above map depicts the GRMC 109 mining claim, which is located in Section (s) 23, Township 19 N, Range 20 W, Gila and Salt River Base and Meridian, Mohave County, Arizona. Total claim acreage is 20
- The type of corner and location monuments used are as follows: 2"X2"X50" wooden posts with metal tags or rock monument
- The bearings and distances in degrees and feet between claim corners and to a public land survey monument are as depicted on the map.
- If the claim is a placer or millsite claim with exterior limits conforming to legal subdivisions of the public survey, provide a legal description of the claim \_\_\_\_\_

AMC 48300

Form MCF100a  
Revised July 2014

2E

Gold Road Mining Corp.  
Suite 450, 1090 West Georgia Street  
Vancouver, BC V6E 3V7 Canada

WHEN RECORDED MAIL TO (MC):

FENNEMORE CRAIG  
2394 EAST CAMELBACK RD  
SUITE 600  
PHOENIX AZ 85016

FEE# 2017062289

OFFICIAL RECORDS  
OF MOHAVE COUNTY  
KRISTI BLAIR,  
COUNTY RECORDER



12/26/2017 02:27 PM Fee: \$10.00

PAGE: 1 of 2

LOCATION NOTICE FOR LODE MINING CLAIM

Amendment BLM Serial # \_\_\_\_\_

NOTICE IS HEREBY GIVEN that the GRMC 110  
\_\_\_\_\_ lode mining claim has been located  
by Gold Road Mining Corp. whose current mailing  
address is Suite 450, 1090 West Georgia Street  
Vancouver, BC V6E 3V7 Canada

RECEIVED  
BLM AZ STATE OFFICE  
2017 DEC 20 A 10:42  
PHOENIX, ARIZONA  
BLM  
Date  
Stamp

The general course of this claim is Northwest-Southeast and it is situated in Mohave  
County, Arizona. This claim is 1500 feet in length and 600 feet in width.

20 Total Claim Acreage. This claim runs from the location monument on which this location notice  
is posted on the centerline of the claim approximately 300 feet in a NW direction to the NW  
end line and 1200 feet in a SE direction to the SE end line. This claim is marked by six  
monuments, one at each corner and one at the center of each end line of the claim.

The location monument on which this notice is posted is situated within Section 23, Township 19  
N, Range 20 W, Gila Salt River Base and Meridian, Arizona and this claim encompasses portions  
of the following quarter section(s), section(s), Township(s) and Range(s) \_\_\_\_\_  
NW1/4 Sec.23 T19N R20W

Gila Salt River Base and Meridian, Arizona.

The locality of this claim with reference to some natural object or permanent monument and additional information  
(if any) concerning its locality are as follows: \_\_\_\_\_

NW claim corner is 713'E 1,160'S from NW corner of Sec.23 T19N R20W

\_\_\_\_\_ The above information is shown on the attached map.

DATED AND POSTED on the ground this 29th day of November, 20 17.

LOCATOR(s)  AGENT

Print Name(s) Stuart Burgess

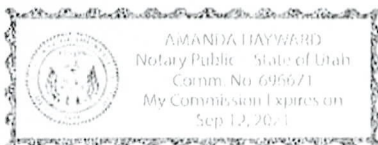
Signature(s) \_\_\_\_\_

State of Utah  
County of Salt Lake

This instrument was signed and sworn to before me  
on 12/21/17 by Stuart Burgess  
(Name of signer)

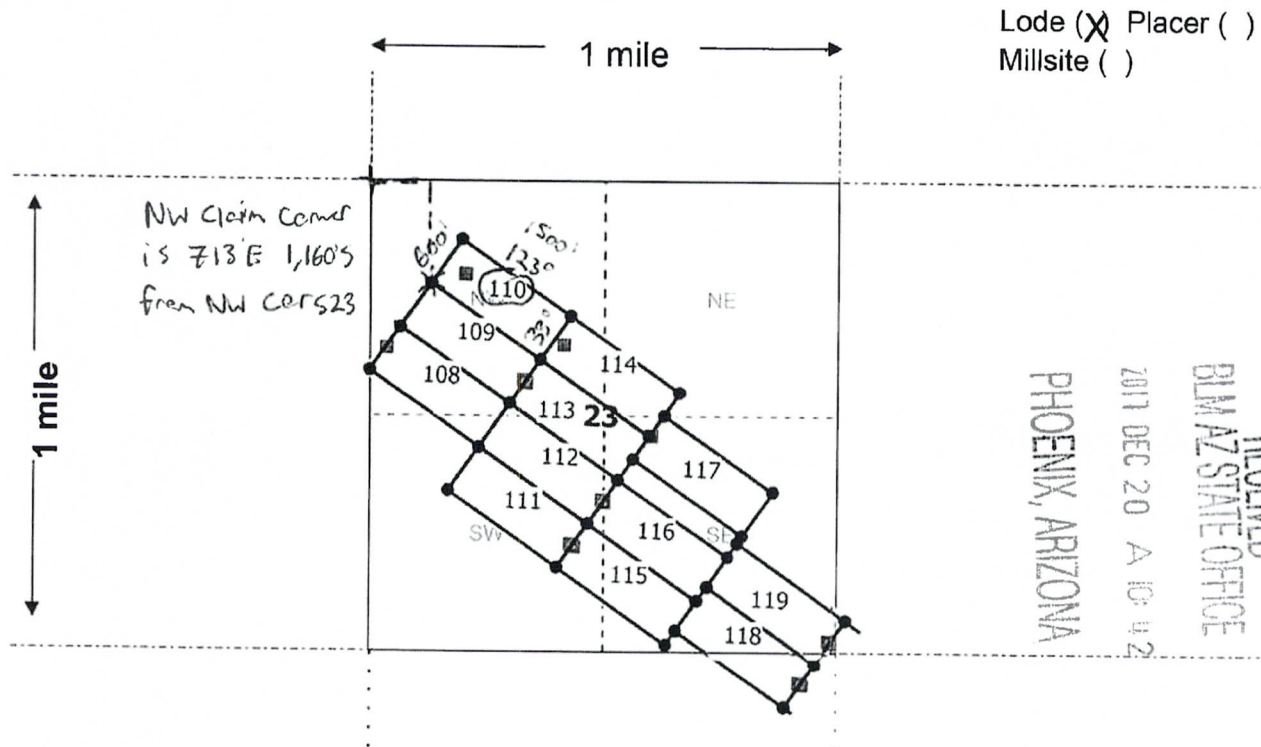
\_\_\_\_\_  
(Notary Signature)

[Affix seal/stamp to the left or below]



AMC448301

**MINING CLAIM MAP**



Scale: 1" = 2000 feet



- The above map depicts the GRMC 110 mining claim, which is located in Section (s) 23, Township 19 N, Range 20 W, Gila and Salt River Base and Meridian, Mohave County, Arizona. Total claim acreage is 20
- The type of corner and location monuments used are as follows: 2"X2"X50" wooden posts with metal tags or rock monument
- The bearings and distances in degrees and feet between claim corners and to a public land survey monument are as depicted on the map.
- If the claim is a placer or millsite claim with exterior limits conforming to legal subdivisions of the public survey, provide a legal description of the claim \_\_\_\_\_

Form MCF100a  
Revised July 2014

This form is available from the **Arizona Geology Survey** and may be reproduced.

AMC 448301

Gold Road Mining Corp.  
Suite 450, 1090 West Georgia Street  
Vancouver, BC V6E 3V7 Canada

**LOCATION NOTICE FOR LODE MINING CLAIM**

Amendment BLM Serial # \_\_\_\_\_

NOTICE IS HEREBY GIVEN that the GRMC 110  
\_\_\_\_\_ lode mining claim has been located  
by Gold Road Mining Corp. whose current mailing  
address is Suite 450, 1090 West Georgia Street  
Vancouver, BC V6E 3V7 Canada

RECEIVED  
BLM AZ STATE OFFICE  
2011 DEC 20 A 10:42  
PHOENIX, ARIZONA  
BLM  
Date  
Stamp

The general course of this claim is Northwest-Southeast and it is situated in Mohave  
County, Arizona. This claim is 1500 feet in length and 600 feet in width.

20 Total Claim Acreage. This claim runs from the location monument on which this location notice  
is posted on the centerline of the claim approximately 300 feet in a NW direction to the NW  
end line and 1200 feet in a SE direction to the SE end line. This claim is marked by six  
monuments, one at each corner and one at the center of each end line of the claim.

The location monument on which this notice is posted is situated within Section 23, Township 19  
N, Range 20 W, Gila Salt River Base and Meridian, Arizona and this claim encompasses portions  
of the following quarter section(s), section(s), Township(s) and Range(s) \_\_\_\_\_  
NW1/4 Sec.23 T19N R20W

Gila Salt River Base and Meridian, Arizona.

The locality of this claim with reference to some natural object or permanent monument and additional information  
(if any) concerning its locality are as follows: \_\_\_\_\_

NW claim corner is 713'E 1,160'S from NW corner of Sec.23 T19N R20W

\_\_\_\_\_ The above information is shown on the attached map.

DATED AND POSTED on the ground this 29th day of November, 2017.

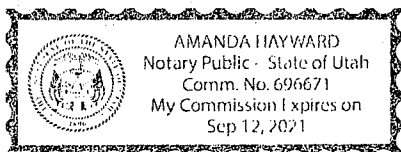
LOCATOR(s)  AGENT

Print Name(s) Stuart Burgess

Signature(s) \_\_\_\_\_

State of Utah  
County of Salt Lake

This instrument was signed and sworn to before me  
on 12/2/17 by Stuart Burgess  
(Name of signer)

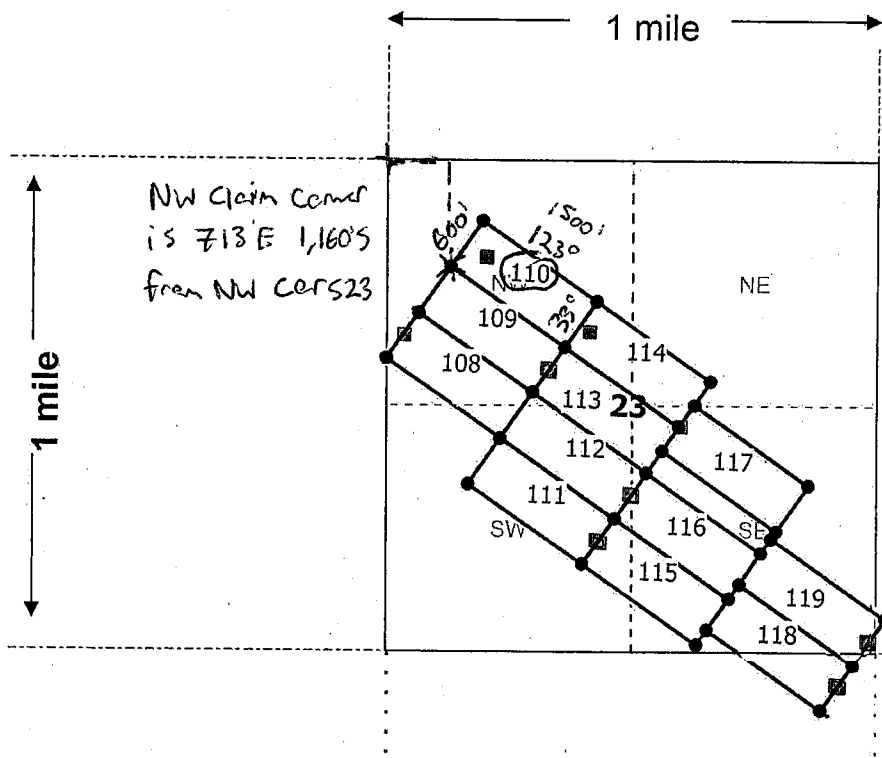


(Notary Signature)  
[Affix seal/stamp to the left or below]

AMC448301

**MINING CLAIM MAP**

Lode (X) Placer ( )  
Millsite ( )



RECEIVED  
BLM AZ STATE OFFICE  
2011 DEC 20 A 10:42  
PHOENIX, ARIZONA



Scale: 1" = 2000 feet

- The above map depicts the GRMC 110 mining claim, which is located in Section (s) 23, Township 19 N, Range 20 W, Gila and Salt River Base and Meridian, Mohave County, Arizona. Total claim acreage is 20
- The type of corner and location monuments used are as follows: 2"X2"X50" wooden posts with metal tags or rock monument
- The bearings and distances in degrees and feet between claim corners and to a public land survey monument are as depicted on the map.
- If the claim is a placer or millsite claim with exterior limits conforming to legal subdivisions of the public survey, provide a legal description of the claim \_\_\_\_\_

AMC 448301

Form MCF100a  
Revised July 2014

2E

Gold Road Mining Corp.  
Suite 450, 1090 West Georgia Street  
Vancouver, BC V6E 3V7 Canada

WHEN RECORDED MAIL TO (MC):

FENNEMORE CRAIG  
2394 EAST CAMELBACK RD  
SUITE 600  
PHOENIX AZ 85016

**FEE# 2017062290**

OFFICIAL RECORDS  
OF MOHAVE COUNTY  
KRISTI BLAIR,  
COUNTY RECORDER



12/26/2017 02:27 PM Fee: \$10.00

PAGE: 1 of 2

**LOCATION NOTICE FOR LODE MINING CLAIM**

Amendment BLM Serial # \_\_\_\_\_

NOTICE IS HEREBY GIVEN that the GRMC 111  
\_\_\_\_\_ lode mining claim has been located

by Gold Road Mining Corp. whose current mailing  
address is Suite 450, 1090 West Georgia Street  
Vancouver, BC V6E 3V7 Canada

RECEIVED  
BLM AZ STATE OFFICE  
2017 DEC 20 A 10:42 P  
PHOENIX, ARIZONA  
BLM  
Date  
Stamp

The general course of this claim is Northwest-Southeast and it is situated in Mohave  
County, Arizona. This claim is 1500 feet in length and 600 feet in width.

20 Total Claim Acreage. This claim runs from the location monument on which this location notice  
is posted on the centerline of the claim approximately 20 feet in a SE direction to the SE  
end line and 1480 feet in a NW direction to the NW end line. This claim is marked by six  
monuments, one at each corner and one at the center of each end line of the claim.

The location monument on which this notice is posted is situated within Section 23, Township 19  
N, Range 20 W, Gila Salt River Base and Meridian, Arizona and this claim encompasses portions  
of the following quarter section(s), section(s), Township(s) and Range(s) \_\_\_\_\_  
SW1/4 Sec.23 T19N R20W

Gila Salt River Base and Meridian, Arizona.

The locality of this claim with reference to some natural object or permanent monument and additional information  
(if any) concerning its locality are as follows: \_\_\_\_\_

NW claim corner is 923'E 1,782'N from SW corner of Sec.23 T19N R20W

\_\_\_\_\_ The above information is shown on the attached map.

DATED AND POSTED on the ground this 30th day of November, 2017.

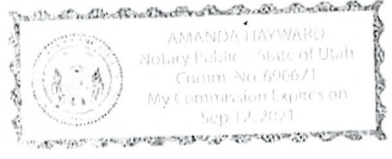
LOCATOR(s)  AGENT

Print Name(s) Stuart Burgess

Signature(s) \_\_\_\_\_

State of Utah  
County of Salt Lake

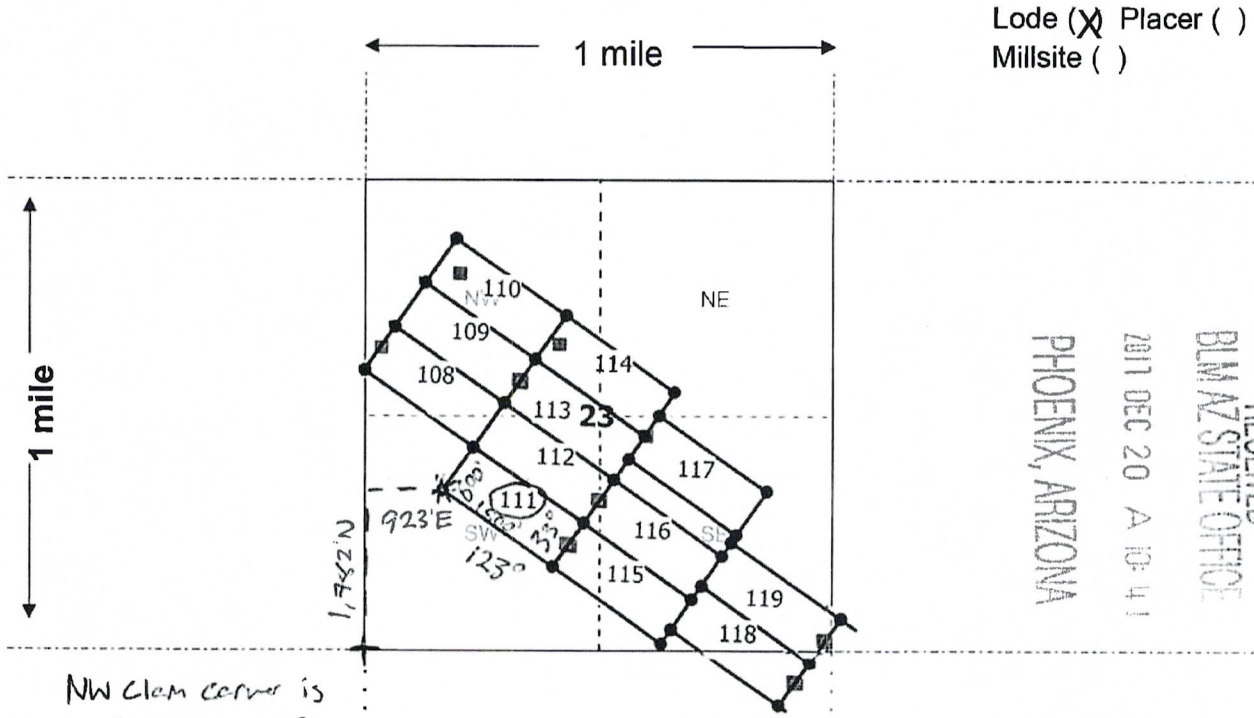
This instrument was signed and sworn to before me  
on 12/21/17 by Stuart Burgess  
(Name of signer)



AJH  
(Notary Signature)  
[Affix seal/stamp to the left or below]

AMC448302

**MINING CLAIM MAP**



Lode (X) Placer ( )  
Millsite ( )

RECEIVED  
 BLM AZ STATE OFFICE  
 PHOENIX, ARIZONA  
 2011 DEC 20 A 10:41

NW claim corner is  
 1923°E 1,782'N from  
 SW cor S23

Scale: 1" = 2000 feet



- The above map depicts the GRMC 111 mining claim, which is located in Section (s) 23, Township 19 N, Range 20 W, Gila and Salt River Base and Meridian, Mohave County, Arizona. Total claim acreage is 20
- The type of corner and location monuments used are as follows: 2"X2"X50" wooden posts with metal tags or rock monument
- The bearings and distances in degrees and feet between claim corners and to a public land survey monument are as depicted on the map.
- If the claim is a placer or millsite claim with exterior limits conforming to legal subdivisions of the public survey, provide a legal description of the claim \_\_\_\_\_

AMC448302

Form MCF100a  
 Revised July 2014

This form is available from the Arizona Geology Survey and may be reproduced.



Gold Road Mining Corp.  
Suite 450, 1090 West Georgia Street  
Vancouver, BC V6E 3V7 Canada

LOCATION NOTICE FOR LODE MINING CLAIM

Amendment BLM Serial # \_\_\_\_\_

NOTICE IS HEREBY GIVEN that the GRMC 111  
\_\_\_\_\_ lode mining claim has been located  
by Gold Road Mining Corp whose current mailing  
address is Suite 450, 1090 West Georgia Street  
Vancouver, BC V6E 3V7 Canada

RECEIVED  
BLM AZ STATE OFFICE  
2017 DEC 20 A 10:12  
PHOENIX, ARIZONA  
BLM  
Date  
Stamp

The general course of this claim is Northwest-Southeast and it is situated in Mohave  
County, Arizona. This claim is 1500 feet in length and 600 feet in width.

20 Total Claim Acreage. This claim runs from the location monument on which this location notice  
is posted on the centerline of the claim approximately 20 feet in a SE direction to the SE  
end line and 1480 feet in a NW direction to the NW end line. This claim is marked by six  
monuments, one at each corner and one at the center of each end line of the claim.

The location monument on which this notice is posted is situated within Section 23, Township 19  
N, Range 20 W, Gila Salt River Base and Meridian, Arizona and this claim encompasses portions  
of the following quarter section(s), section(s), Township(s) and Range(s) \_\_\_\_\_

SW1/4 Sec.23 T19N R20W

Gila Salt River Base and Meridian, Arizona.

The locality of this claim with reference to some natural object or permanent monument and additional information  
(if any) concerning its locality are as follows: \_\_\_\_\_

NW claim corner is 923'E 1,782'N from SW corner of Sec.23 T19N R20W

\_\_\_\_\_ The above information is shown on the attached map.

DATED AND POSTED on the ground this 30th day of November, 2017.

LOCATOR(s)  AGENT

Print Name(s) Stuart Burgess

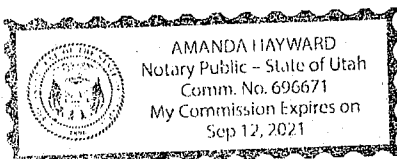
Signature(s) \_\_\_\_\_

State of Utah  
County of Salt Lake

This instrument was signed and sworn to before me  
on 12/21/17 by Stuart Burgess  
(Name of signer)

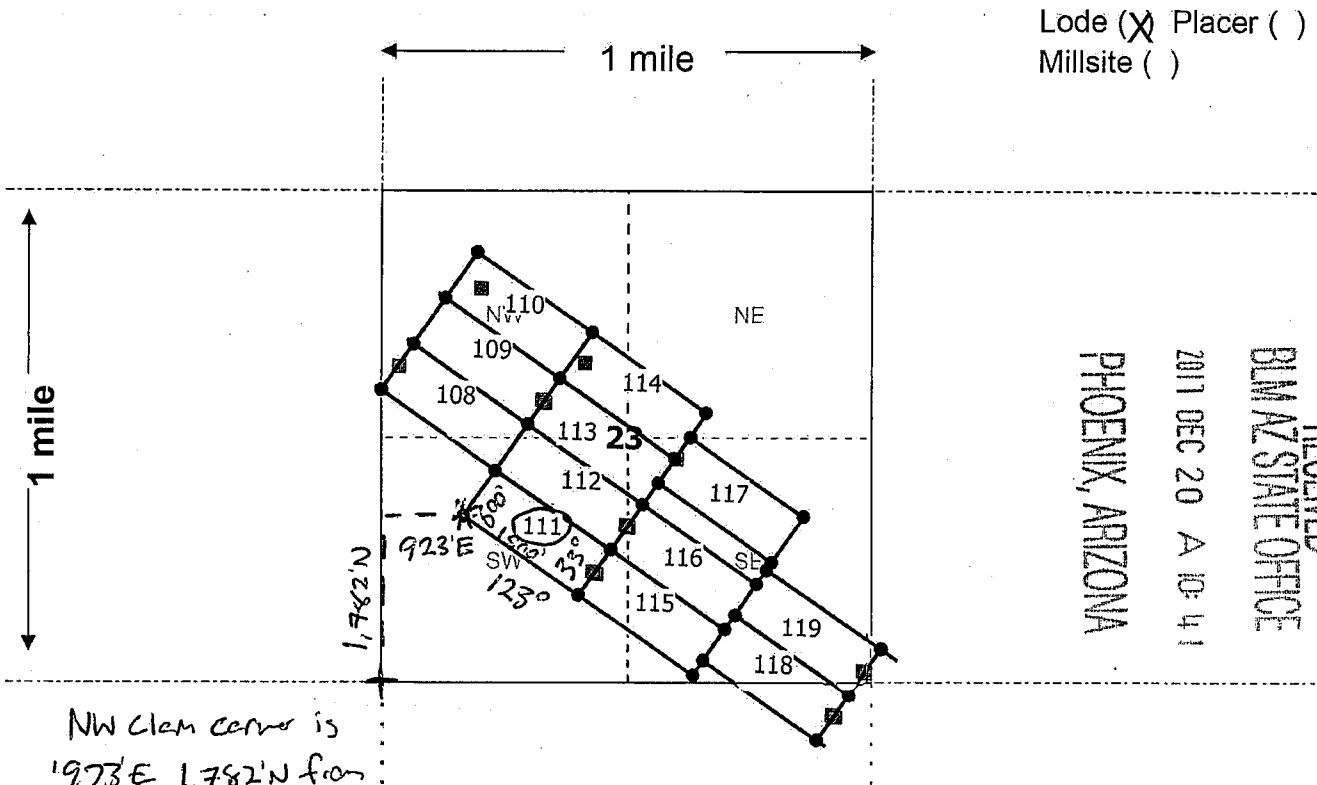
AH  
(Notary Signature)

[Affix seal/stamp to the left or below]



AMC 448302

**MINING CLAIM MAP**



Lode (X) Placer ( )  
Millsite ( )

RECEIVED  
BIMAZ STATE OFFICE  
2011 DEC 20 A 10:41  
PHOENIX, ARIZONA

NW claim corner is  
923'E 1,782'N from  
SW cor S23

Scale: 1" = 2000 feet



1. The above map depicts the GRMC 111 mining claim, which is located in Section (s) 23, Township 19 N, Range 20 W, Gila and Salt River Base and Meridian, Mohave County, Arizona. Total claim acreage is 20

2. The type of corner and location monuments used are as follows: 2"X2"X50" wooden posts with metal tags or rock monument

3. The bearings and distances in degrees and feet between claim corners and to a public land survey monument are as depicted on the map.

4. If the claim is a placer or millsite claim with exterior limits conforming to legal subdivisions of the public survey, provide a legal description of the claim \_\_\_\_\_

AMC 448302

Form MCF100a  
Revised July 2014

2E

Gold Road Mining Corp.  
Suite 450, 1090 West Georgia Street  
Vancouver, BC V6E 3V7 Canada

WHEN RECORDED MAIL TO (MC):

FENNEMORE CRAIG  
2394 EAST CAMELBACK RD  
SUITE 600  
PHOENIX AZ 85016

**FEE# 2017062291**

OFFICIAL RECORDS  
OF MOHAVE COUNTY  
KRISTI BLAIR,  
COUNTY RECORDER



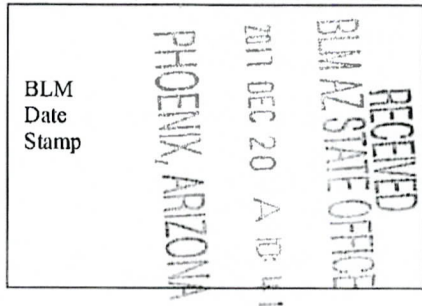
12/26/2017 02:27 PM Fee: \$10.00

PAGE: 1 of 2

**LOCATION NOTICE FOR LODE MINING CLAIM**

Amendment BLM Serial # \_\_\_\_\_

NOTICE IS HEREBY GIVEN that the GRMC 112  
\_\_\_\_\_ lode mining claim has been located  
by Gold Road Mining Corp. whose current mailing  
address is Suite 450, 1090 West Georgia Street  
Vancouver, BC V6E 3V7 Canada



The general course of this claim is Northwest-Southeast and it is situated in Mohave  
County, Arizona. This claim is 1500 feet in length and 600 feet in width.

20 Total Claim Acreage. This claim runs from the location monument on which this location notice  
is posted on the centerline of the claim approximately 20 feet in a SE direction to the SE  
end line and 1480 feet in a NW direction to the NW end line. This claim is marked by six  
monuments, one at each corner and one at the center of each end line of the claim.

The location monument on which this notice is posted is situated within Section 23, Township 19  
N, Range 20 W, Gila Salt River Base and Meridian, Arizona and this claim encompasses portions  
of the following quarter section(s), section(s), Township(s) and Range(s) \_\_\_\_\_  
NW1/4, SW1/4, SE1/4 Sec.23 T19N R20W

Gila Salt River Base and Meridian, Arizona.

The locality of this claim with reference to some natural object or permanent monument and additional information  
(if any) concerning its locality are as follows: \_\_\_\_\_

NW claim corner is 1.263'E 2.273'N from SW corner of Sec.23 T19N R20W

\_\_\_\_\_ The above information is shown on the attached map.

DATED AND POSTED on the ground this 30th day of November, 20 17.

LOCATOR(s)  AGENT

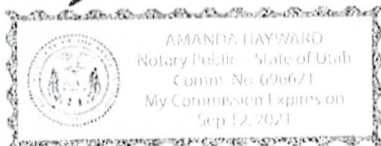
Print Name(s) Stuart Burgess

Signature(s) \_\_\_\_\_

State of Utah  
County of Salt Lake

This instrument was signed and sworn to before me  
on 12/2/17 by Stuart Burgess  
(Name of signer)

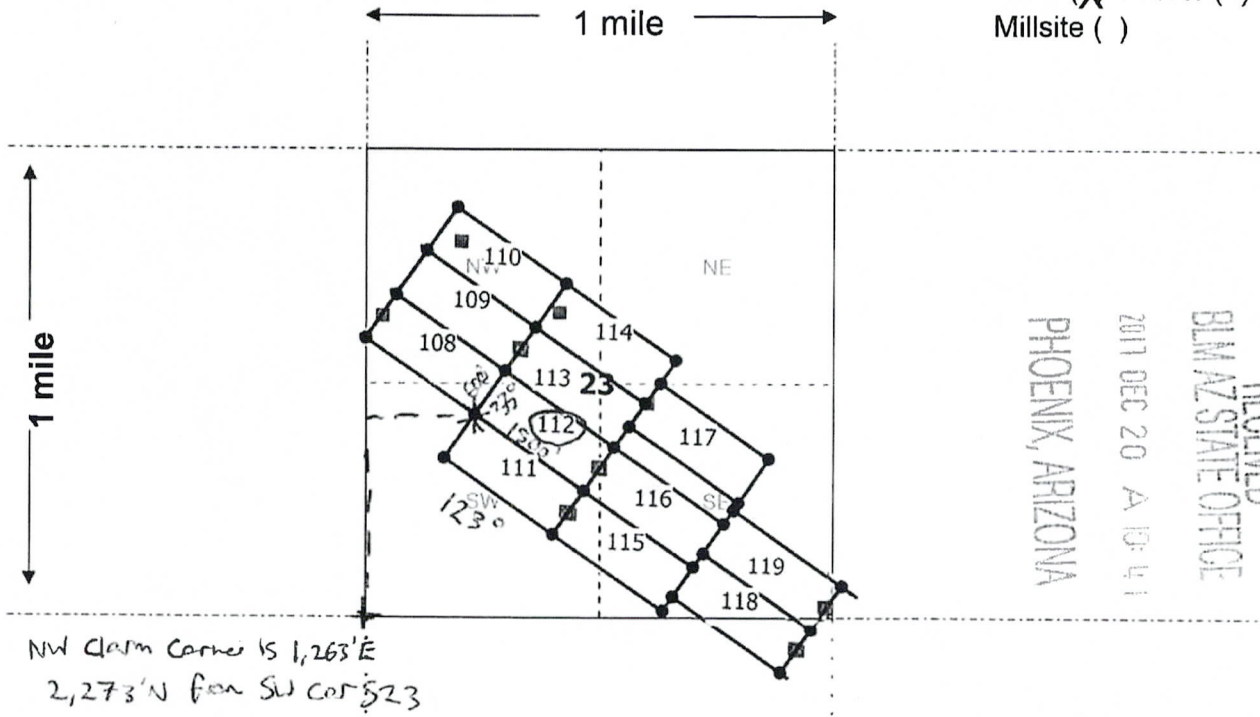
\_\_\_\_\_  
(Notary Signature)  
[Affix seal/stamp to the left or below]



AMC448303

**MINING CLAIM MAP**

Lode (X) Placer ( )  
Millsite ( )



Scale: 1" = 2000 feet



1. The above map depicts the GRMC 112 mining claim, which is located in Section (s) 23, Township 19 N, Range 20 W, Gila and Salt River Base and Meridian, Mohave County, Arizona. Total claim acreage is 20

2. The type of corner and location monuments used are as follows: 2"X2"X50" wooden posts with metal tags or rock monument

3. The bearings and distances in degrees and feet between claim corners and to a public land survey monument are as depicted on the map.

4. If the claim is a placer or millsite claim with exterior limits conforming to legal subdivisions of the public survey, provide a legal description of the claim \_\_\_\_\_

Form MCF100a  
Revised July 2014

This form is available from the **Arizona Geology Survey** and may be reproduced.

AMC448303

Gold Road Mining Corp.  
Suite 450, 1090 West Georgia Street  
Vancouver, BC V6E 3V7 Canada

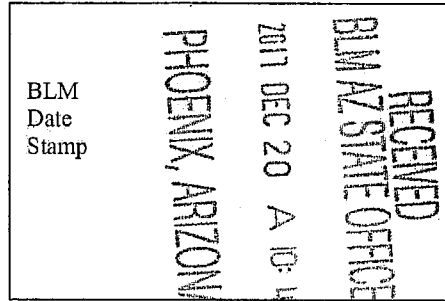
**LOCATION NOTICE FOR LODE MINING CLAIM**

Amendment BLM Serial # \_\_\_\_\_

NOTICE IS HEREBY GIVEN that the GRMC 112

\_\_\_\_\_ lode mining claim has been located

by Gold Road Mining Corp. whose current mailing  
address is Suite 450, 1090 West Georgia Street  
Vancouver, BC V6E 3V7 Canada



The general course of this claim is Northwest-Southeast and it is situated in Mohave  
County, Arizona. This claim is 1500 feet in length and 600 feet in width.

20 Total Claim Acreage. This claim runs from the location monument on which this location notice  
is posted on the centerline of the claim approximately 20 feet in a SE direction to the SE  
end line and 1480 feet in a NW direction to the NW end line. This claim is marked by six  
monuments, one at each corner and one at the center of each end line of the claim.

The location monument on which this notice is posted is situated within Section 23, Township 19  
N, Range 20 W, Gila Salt River Base and Meridian, Arizona and this claim encompasses portions  
of the following quarter section(s), section(s), Township(s) and Range(s) \_\_\_\_\_  
NW1/4, SW1/4, SE1/4 Sec.23 T19N R20W

Gila Salt River Base and Meridian, Arizona.

The locality of this claim with reference to some natural object or permanent monument and additional information  
(if any) concerning its locality are as follows: \_\_\_\_\_

NW claim corner is 1,263'E 2,273'N from SW corner of Sec.23 T19N R20W

\_\_\_\_\_ The above information is shown on the attached map.

DATED AND POSTED on the ground this 30th day of November, 2017.

LOCATOR(s)  AGENT

Print Name(s) Stuart Burgess

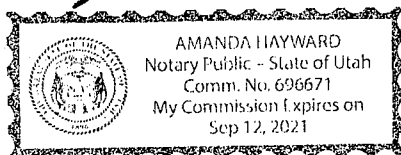
Signature(s) \_\_\_\_\_

State of Utah  
County of Salt Lake

This instrument was signed and sworn to before me  
on 12/2/17 by Stuart Burgess  
(Name of signer)

Art

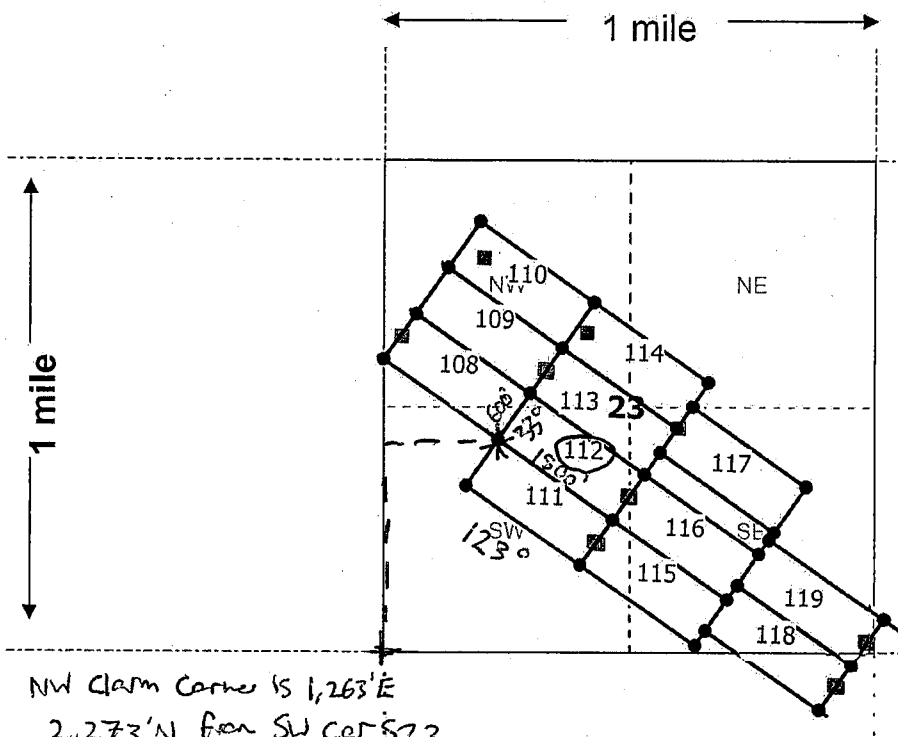
(Notary Signature)  
[Affix seal/stamp to the left or below]



AMC448303

**MINING CLAIM MAP**

Lode (X) Placer ( )  
Millsite ( )



RECEIVED  
BLM AZ STATE OFFICE  
2011 DEC 20 A 10:41  
PHOENIX, ARIZONA

Scale: 1" = 2000 feet



1. The above map depicts the GRMC 112 mining claim, which is located in Section (s) 23, Township 19 N, Range 20 W, Gila and Salt River Base and Meridian, Mohave County, Arizona. Total claim acreage is 20

2. The type of corner and location monuments used are as follows: 2"X2"X50" wooden posts with metal tags or rock monument

3. The bearings and distances in degrees and feet between claim corners and to a public land survey monument are as depicted on the map.

4. If the claim is a placer or millsite claim with exterior limits conforming to legal subdivisions of the public survey, provide a legal description of the claim \_\_\_\_\_

Form MCF100a  
Revised July 2014

AMC 448303

2E

Gold Road Mining Corp.  
Suite 450, 1090 West Georgia Street  
Vancouver, BC V6E 3V7 Canada

WHEN RECORDED MAIL TO (MC):

FENNEMORE CRAIG  
2394 EAST CAMELBACK RD  
SUITE 600  
PHOENIX AZ 85016

**FEE# 2017062292**

OFFICIAL RECORDS  
OF MOHAVE COUNTY  
KRISTI BLAIR,  
COUNTY RECORDER



12/26/2017 02:27 PM Fee: \$10.00

PAGE: 1 of 2

**LOCATION NOTICE FOR LODE MINING CLAIM**

Amendment BLM Serial # \_\_\_\_\_

NOTICE IS HEREBY GIVEN that the GRMC 113  
\_\_\_\_\_ lode mining claim has been located  
by Gold Road Mining Corp. whose current mailing  
address is Suite 450, 1090 West Georgia Street  
Vancouver, BC V6E 3V7 Canada

RECEIVED  
PHOENIX, ARIZONA  
2017 DEC 20 A 10:41  
BLM AZ STATE OFFICE

The general course of this claim is Northwest-Southeast and it is situated in Mohave  
County, Arizona. This claim is 1500 feet in length and 600 feet in width.

20 Total Claim Acreage. This claim runs from the location monument on which this location notice  
is posted on the centerline of the claim approximately 20 feet in a NW direction to the NW  
end line and 1480 feet in a SE direction to the SE end line. This claim is marked by six  
monuments, one at each corner and one at the center of each end line of the claim.

The location monument on which this notice is posted is situated within Section 23, Township 19  
N, Range 20 W, Gila Salt River Base and Meridian, Arizona and this claim encompasses portions  
of the following quarter section(s), section(s), Township(s) and Range(s) \_\_\_\_\_  
NW1/4, SW1/4, SE1/4, NE1/4 Sec.23 T19N R20W

Gila Salt River Base and Meridian, Arizona.

The locality of this claim with reference to some natural object or permanent monument and additional information  
(if any) concerning its locality are as follows: \_\_\_\_\_

NW claim corner is 1,607'E 2,501'S from NW corner of Sec.23 T19N R20W

\_\_\_\_\_ The above information is shown on the attached map.

DATED AND POSTED on the ground this 30th day of November, 20 17.

LOCATOR(s)  AGENT

Print Name(s) Stuart Burgess

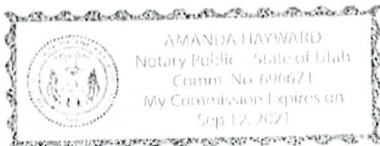
Signature(s) \_\_\_\_\_

State of Utah  
County of Salt Lake

This instrument was signed and sworn to before me  
on 12/21/17 by Stuart Burgess  
(Name of signer)

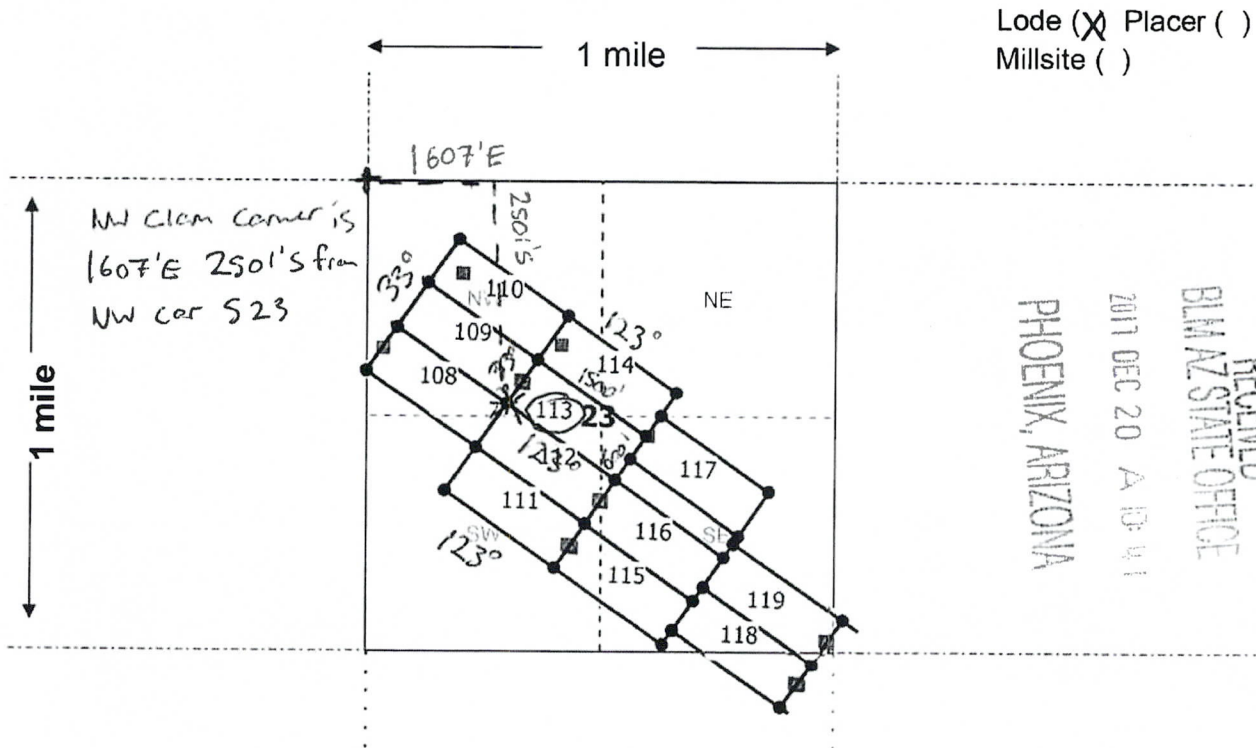
AKH  
(Notary Signature)

[Affix seal/stamp to the left or below]



AMC448304

**MINING CLAIM MAP**



RECEIVED  
BLM AZ STATE OFFICE  
2017 DEC 20 A 10:41  
PHOENIX, ARIZONA

AMC 448304

- The above map depicts the GRMC 113 mining claim, which is located in Section (s) 23, Township 19 N, Range 20 W, Gila and Salt River Base and Meridian, Mohave County, Arizona. Total claim acreage is 20
- The type of corner and location monuments used are as follows: 2"X2"X50" wooden posts with metal tags or rock monument
- The bearings and distances in degrees and feet between claim corners and to a public land survey monument are as depicted on the map.
- If the claim is a placer or millsite claim with exterior limits conforming to legal subdivisions of the public survey, provide a legal description of the claim \_\_\_\_\_

Form MCF100a  
Revised July 2014



Gold Road Mining Corp.  
Suite 450, 1090 West Georgia Street  
Vancouver, BC V6E 3V7 Canada

**LOCATION NOTICE FOR LODE MINING CLAIM**

Amendment BLM Serial # \_\_\_\_\_

NOTICE IS HEREBY GIVEN that the GRMC 113

\_\_\_\_\_ lode mining claim has been located  
by Gold Road Mining Corp. whose current mailing  
address is Suite 450, 1090 West Georgia Street  
Vancouver, BC V6E 3V7 Canada

RECEIVED  
BLM AZ STATE OFFICE  
2017 DEC 20 A 10:41  
PHOENIX, ARIZONA  
BLM  
Date  
Stamp

The general course of this claim is Northwest-Southeast and it is situated in Mohave  
County, Arizona. This claim is 1500 feet in length and 600 feet in width.

20 Total Claim Acreage. This claim runs from the location monument on which this location notice  
is posted on the centerline of the claim approximately 20 feet in a NW direction to the NW  
end line and 1480 feet in a SE direction to the SE end line. This claim is marked by six  
monuments, one at each corner and one at the center of each end line of the claim.

The location monument on which this notice is posted is situated within Section 23, Township 19  
N, Range 20 W, Gila Salt River Base and Meridian, Arizona and this claim encompasses portions  
of the following quarter section(s), section(s), Township(s) and Range(s) \_\_\_\_\_

NW1/4, SW1/4, SE1/4, NE1/4 Sec.23 T19N R20W

Gila Salt River Base and Meridian, Arizona.

The locality of this claim with reference to some natural object or permanent monument and additional information  
(if any) concerning its locality are as follows: \_\_\_\_\_

NW claim corner is 1,607'E 2,501'S from NW corner of Sec.23 T19N R20W

\_\_\_\_\_ The above information is shown on the attached map.

DATED AND POSTED on the ground this 30th day of November, 2017.

LOCATOR(s)  AGENT

Print Name(s) Stuart Burgess

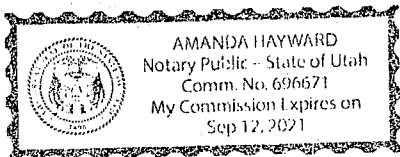
Signature(s) \_\_\_\_\_

State of Utah  
County of Salt Lake

This instrument was signed and sworn to before me  
on 12/21/17 by Stuart Burgess  
(Name of signer)

AH  
(Notary Signature)

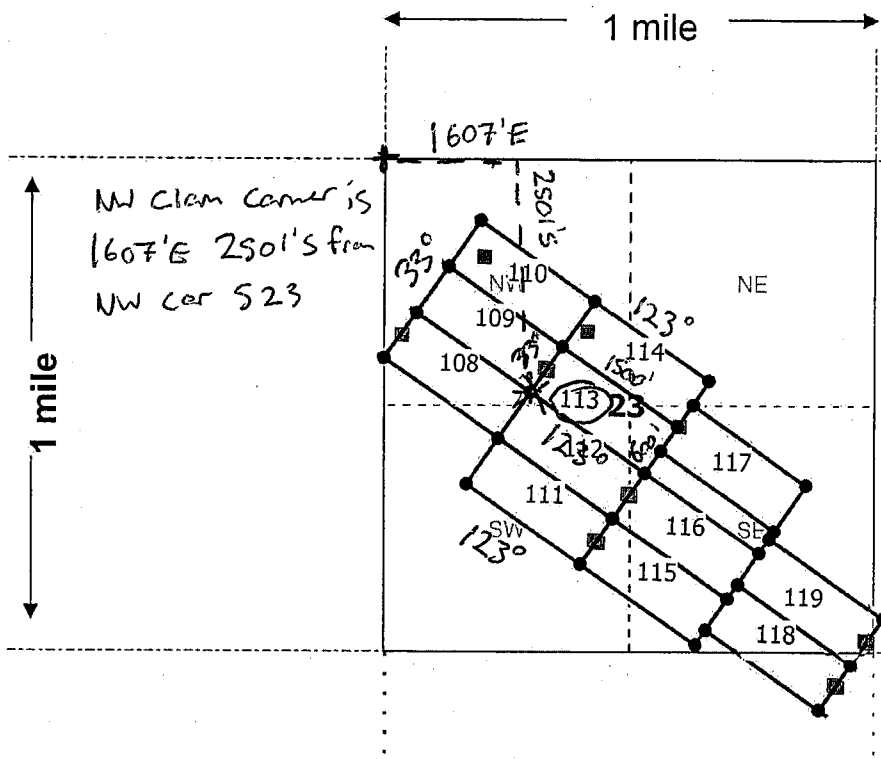
[Affix seal/stamp to the left or below]



AMC 448304

**MINING CLAIM MAP**

Lode (X) Placer ( )  
Millsite ( )



NW claim corner is  
1607'E 250' S from  
NW cor S 23

RECEIVED  
BIA AZ STATE OFFICE  
2017 DEC 20 A 10:41  
PHOENIX, ARIZONA

Scale: 1" = 2000 feet



AMC 448304

- The above map depicts the GRMC 113 mining claim, which is located in Section (s) 23, Township 19 N, Range 20 W, Gila and Salt River Base and Meridian, Mohave County, Arizona. Total claim acreage is 20
- The type of corner and location monuments used are as follows: 2"X2"X50" wooden posts with metal tags or rock monument
- The bearings and distances in degrees and feet between claim corners and to a public land survey monument are as depicted on the map.
- If the claim is a placer or millsite claim with exterior limits conforming to legal subdivisions of the public survey, provide a legal description of the claim \_\_\_\_\_

Form MCF100a  
Revised July 2014

2E

Gold Road Mining Corp.  
Suite 450, 1090 West Georgia Street  
Vancouver, BC V6E 3V7 Canada

WHEN RECORDED MAIL TO (MC):

FENNEMORE CRAIG  
2394 EAST CAMELBACK RD  
SUITE 600  
PHOENIX AZ 85016

**FEE# 2017062293**

OFFICIAL RECORDS  
OF MOHAVE COUNTY  
KRISTI BLAIR,  
COUNTY RECORDER



12/26/2017 02:27 PM Fee: \$10.00

PAGE: 1 of 2

**LOCATION NOTICE FOR LODE MINING CLAIM**

Amendment BLM Serial # \_\_\_\_\_

NOTICE IS HEREBY GIVEN that the GRMC 114  
\_\_\_\_\_ lode mining claim has been located  
by Gold Road Mining Corp. whose current mailing  
address is Suite 450, 1090 West Georgia Street  
Vancouver, BC V6E 3V7 Canada

RECEIVED  
BLM AZ STATE OFFICE  
2017 DEC 20 A 10:41  
PHOENIX, ARIZONA  
BLM  
Date  
Stamp

The general course of this claim is Northwest-Southeast and it is situated in Mohave  
County, Arizona. This claim is 1500 feet in length and 600 feet in width.

20 Total Claim Acreage. This claim runs from the location monument on which this location notice  
is posted on the centerline of the claim approximately 150 feet in a NW direction to the NW  
end line and 1350 feet in a SE direction to the SE end line. This claim is marked by six  
monuments, one at each corner and one at the center of each end line of the claim.

The location monument on which this notice is posted is situated within Section 23, Township 19  
N, Range 20 W, Gila Salt River Base and Meridian, Arizona and this claim encompasses portions  
of the following quarter section(s), section(s), Township(s) and Range(s) \_\_\_\_\_  
NW1/4.NE1/4.SE1/4 Sec.23 T19N R20W

Gila Salt River Base and Meridian, Arizona.

The locality of this claim with reference to some natural object or permanent monument and additional information  
(if any) concerning its locality are as follows: \_\_\_\_\_

NW claim corner is 1,947'E 2,008'S from NW corner of Sec.23 T19N R20W

\_\_\_\_\_ The above information is shown on the attached map.

DATED AND POSTED on the ground this 30th day of November, 20 17.

LOCATOR(s)  AGENT

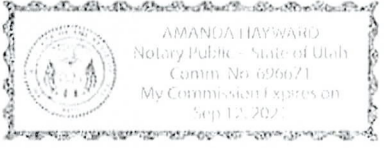
Print Name(s) Stuart Burgess

Signature(s) \_\_\_\_\_

State of Utah  
County of Salt Lake

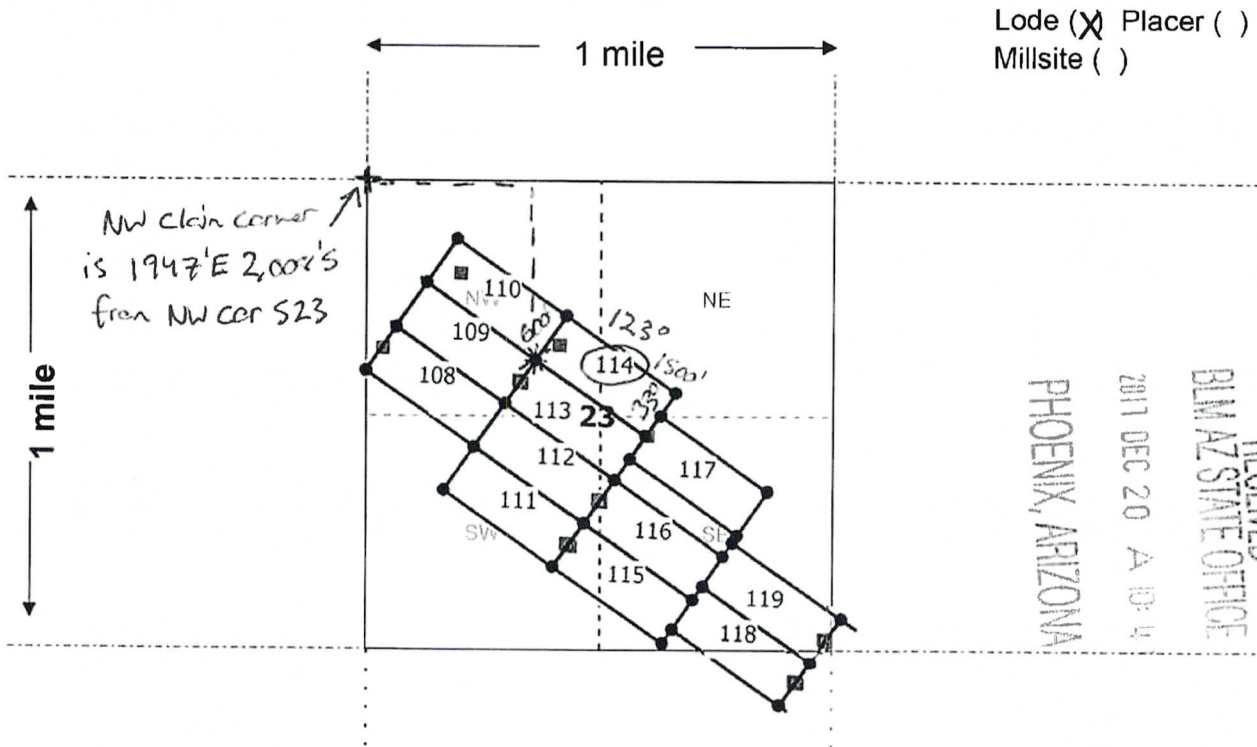
This instrument was signed and sworn to before me  
on 12/2/17 by Stuart Burgess  
(Name of signer)

[Signature]  
(Notary Signature)  
[Affix seal/stamp to the left or below]



AMC448305

**MINING CLAIM MAP**



Scale: 1" = 2000 feet



1. The above map depicts the GRMC 114 mining claim, which is located in Section (s) 23, Township 19 N, Range 20 W, Gila and Salt River Base and Meridian, Mohave County, Arizona. Total claim acreage is 20

2. The type of corner and location monuments used are as follows: 2"X2"X50" wooden posts with metal tags or rock monument

3. The bearings and distances in degrees and feet between claim corners and to a public land survey monument are as depicted on the map.

4. If the claim is a placer or millsite claim with exterior limits conforming to legal subdivisions of the public survey, provide a legal description of the claim \_\_\_\_\_

Form MCF100a  
 Revised July 2014

This form is available from the **Arizona Geology Survey** and may be reproduced.

AMC 448305

Gold Road Mining Corp.  
Suite 450, 1090 West Georgia Street  
Vancouver, BC V6E 3V7 Canada

**LOCATION NOTICE FOR LODE MINING CLAIM**

Amendment BLM Serial # \_\_\_\_\_

NOTICE IS HEREBY GIVEN that the GRMC 114  
\_\_\_\_\_ lode mining claim has been located  
by Gold Road Mining Corp. whose current mailing  
address is Suite 450, 1090 West Georgia Street  
Vancouver, BC V6E 3V7 Canada

RECEIVED  
BLM AZ STATE OFFICE  
2017 DEC 20 A 10:41  
PHOENIX, ARIZONA  
BLM  
Date  
Stamp

The general course of this claim is Northwest-Southeast and it is situated in Mohave  
County, Arizona. This claim is 1500 feet in length and 600 feet in width.

20 Total Claim Acreage. This claim runs from the location monument on which this location notice  
is posted on the centerline of the claim approximately 150 feet in a NW direction to the NW  
end line and 1350 feet in a SE direction to the SE end line. This claim is marked by six  
monuments, one at each corner and one at the center of each end line of the claim.

The location monument on which this notice is posted is situated within Section 23, Township 19  
N, Range 20 W, Gila Salt River Base and Meridian, Arizona and this claim encompasses portions  
of the following quarter section(s), section(s), Township(s) and Range(s) \_\_\_\_\_

NW1/4, NE1/4, SE1/4 Sec. 23 T19N R20W  
Gila Salt River Base and Meridian, Arizona.

The locality of this claim with reference to some natural object or permanent monument and additional information  
(if any) concerning its locality are as follows: \_\_\_\_\_

NW claim corner is 1,947'E 2,008'S from NW corner of Sec. 23 T19N R20W

\_\_\_\_\_ The above information is shown on the attached map.

DATED AND POSTED on the ground this 30th day of November, 2017.

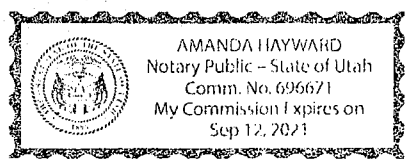
LOCATOR(s)  AGENT

Print Name(s) Stuart Burgess

Signature(s) \_\_\_\_\_

State of Utah  
County of Salt Lake

This instrument was signed and sworn to before me  
on 12/2/17 by Stuart Burgess  
(Name of signer)

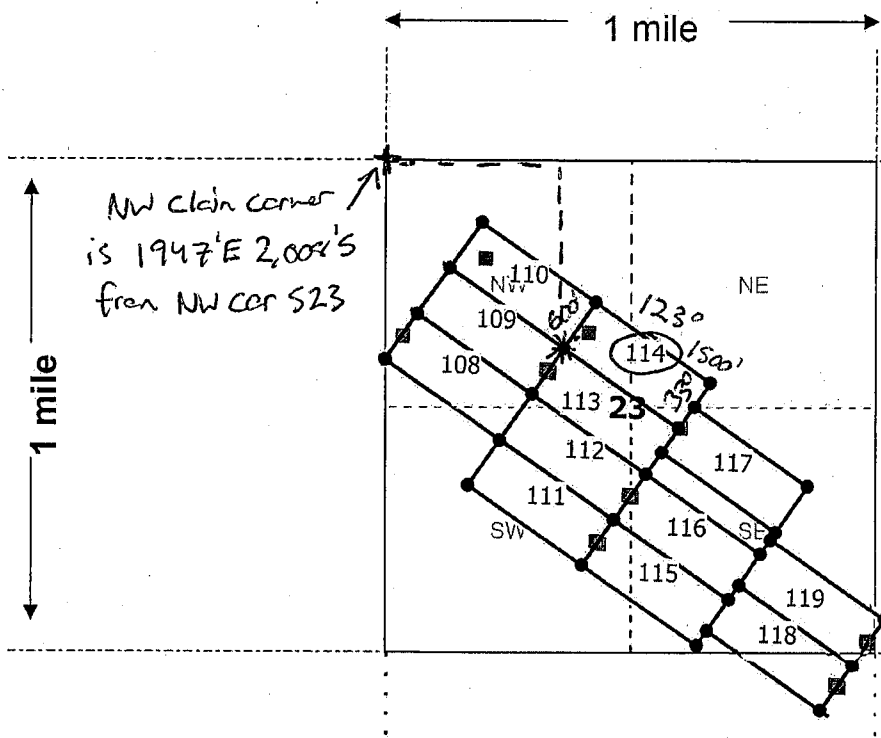


ASH  
(Notary Signature)  
[Affix seal/stamp to the left or below]

AMC 448305

**MINING CLAIM MAP**

Lode (X) Placer ( )  
Millsite ( )



RECEIVED  
 BLM AZ STATE OFFICE  
 2011 DEC 20 A 10:4  
 PHOENIX, ARIZONA

Scale: 1" = 2000 feet



1. The above map depicts the GRMC 114 mining claim, which is located in Section (s) 23, Township 19 N, Range 20 W, Gila and Salt River Base and Meridian, Mohave County, Arizona. Total claim acreage is 20

2. The type of corner and location monuments used are as follows: 2"X2"X50" wooden posts with metal tags or rock monument

3. The bearings and distances in degrees and feet between claim corners and to a public land survey monument are as depicted on the map.

4. If the claim is a placer or millsite claim with exterior limits conforming to legal subdivisions of the public survey, provide a legal description of the claim \_\_\_\_\_

Form MCF100a  
Revised July 2014

This form is available from the Arizona Geology Survey and may be reproduced.

AMC 448305

2E

Gold Road Mining Corp.  
Suite 450, 1090 West Georgia Street  
Vancouver, BC V6E 3V7 Canada

WHEN RECORDED MAIL TO (MC):

FENNEMORE CRAIG  
2394 EAST CAMELBACK RD  
SUITE 600  
PHOENIX AZ 85016

**FEE# 2017062294**

OFFICIAL RECORDS  
OF MOHAVE COUNTY  
KRISTI BLAIR  
COUNTY RECORDER



12/26/2017 02:27 PM Fee: \$10.00

PAGE: 1 of 2

**LOCATION NOTICE FOR LODE MINING CLAIM**

Amendment BLM Serial # \_\_\_\_\_

NOTICE IS HEREBY GIVEN that the GRMC 115  
\_\_\_\_\_ lode mining claim has been located  
by Gold Road Mining Corp whose current mailing  
address is Suite 450, 1090 West Georgia Street  
Vancouver, BC V6E 3V7 Canada

BLM  
Date  
Stamp

RECEIVED  
BLM AZ STATE OFFICE  
PHOENIX, ARIZONA  
2017 DEC 20 A 10:41

The general course of this claim is Northwest-Southeast and it is situated in Mohave  
County, Arizona. This claim is 1500 feet in length and 600 feet in width.

20 Total Claim Acreage. This claim runs from the location monument on which this location notice  
is posted on the centerline of the claim approximately 20 feet in a NW direction to the NW  
end line and 1480 feet in a SE direction to the SE end line. This claim is marked by six  
monuments, one at each corner and one at the center of each end line of the claim.

The location monument on which this notice is posted is situated within Section 23, Township 19  
N, Range 20 W, Gila Salt River Base and Meridian, Arizona and this claim encompasses portions  
of the following quarter section(s), section(s), Township(s) and Range(s) \_\_\_\_\_  
SW1/4, SE1/4 Sec.23 T19N R20W

Gila Salt River Base and Meridian, Arizona.

The locality of this claim with reference to some natural object or permanent monument and additional information  
(if any) concerning its locality are as follows: \_\_\_\_\_

NW claim corner is 2,159'E 935'N from SW corner of Sec.23 T19N R20W

\_\_\_\_\_ The above information is shown on the attached map.

DATED AND POSTED on the ground this 30th day of November, 20 17.

LOCATOR(s)  AGENT

Print Name(s) Stuart Burgess

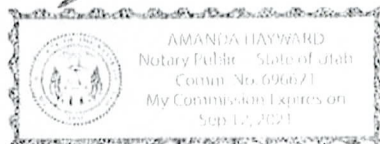
Signature(s) \_\_\_\_\_

State of Utah \_\_\_\_\_  
County of Salt Lake

This instrument was signed and sworn to before me  
on 12/2/17 by Stuart Burgess  
(Name of signer)

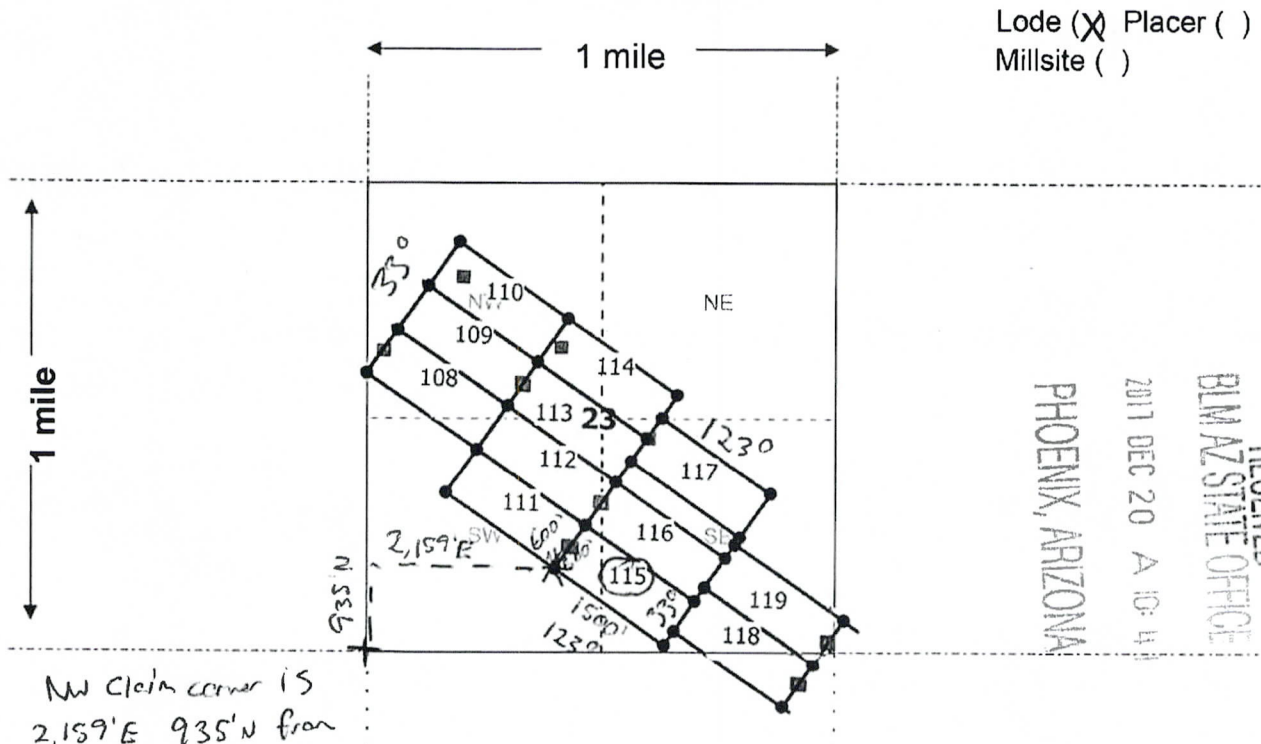
\_\_\_\_\_  
(Notary Signature)

[Affix seal/stamp to the left or below]



AMC448306

**MINING CLAIM MAP**



RECEIVED  
 BLM AZ STATE OFFICE  
 PHOENIX, ARIZONA  
 2017 DEC 20 A 10:4

- Scale: 1" = 2000 feet
- The above map depicts the GRMC 115 mining claim, which is located in Section (s) 23, Township 19 N, Range 20 W, Gila and Salt River Base and Meridian, Mohave County, Arizona. Total claim acreage is 20
  - The type of corner and location monuments used are as follows: 2"X2"X50" wooden posts with metal tags or rock monument
  - The bearings and distances in degrees and feet between claim corners and to a public land survey monument are as depicted on the map.
  - If the claim is a placer or millsite claim with exterior limits conforming to legal subdivisions of the public survey, provide a legal description of the claim \_\_\_\_\_

AMC 448306

Form MCF100a  
Revised July 2014



Gold Road Mining Corp.  
Suite 450, 1090 West Georgia Street  
Vancouver, BC V6E 3V7 Canada

**LOCATION NOTICE FOR LODE MINING CLAIM**

Amendment BLM Serial # \_\_\_\_\_

NOTICE IS HEREBY GIVEN that the GRMC 115  
\_\_\_\_\_ lode mining claim has been located  
by Gold Road Mining Corp. whose current mailing  
address is Suite 450, 1090 West Georgia Street  
Vancouver, BC V6E 3V7 Canada

RECEIVED  
BLM STATE OFFICE  
2017 DEC 20 A 10:41  
PHOENIX, ARIZONA  
BLM  
Date  
Stamp

The general course of this claim is Northwest-Southeast and it is situated in Mohave  
County, Arizona. This claim is 1500 feet in length and 600 feet in width.

20 Total Claim Acreage. This claim runs from the location monument on which this location notice  
is posted on the centerline of the claim approximately 20 feet in a NW direction to the NW  
end line and 1480 feet in a SE direction to the SE end line. This claim is marked by six  
monuments, one at each corner and one at the center of each end line of the claim.

The location monument on which this notice is posted is situated within Section 23, Township 19  
N, Range 20 W, Gila Salt River Base and Meridian, Arizona and this claim encompasses portions  
of the following quarter section(s), section(s), Township(s) and Range(s) \_\_\_\_\_  
SW1/4, SE1/4 Sec.23 T19N R20W

Gila Salt River Base and Meridian, Arizona.

The locality of this claim with reference to some natural object or permanent monument and additional information  
(if any) concerning its locality are as follows: \_\_\_\_\_

NW claim corner is 2,159'E 935'N from SW corner of Sec.23 T19N R20W

\_\_\_\_\_ The above information is shown on the attached map.

DATED AND POSTED on the ground this 30th day of November, 2017.

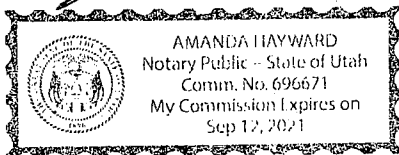
LOCATOR(s)  AGENT

Print Name(s) Stuart Burgess

Signature(s) \_\_\_\_\_

State of Utah  
County of Salt Lake

This instrument was signed and sworn to before me  
on 12/12/17 by Stuart Burgess  
(Name of signer)

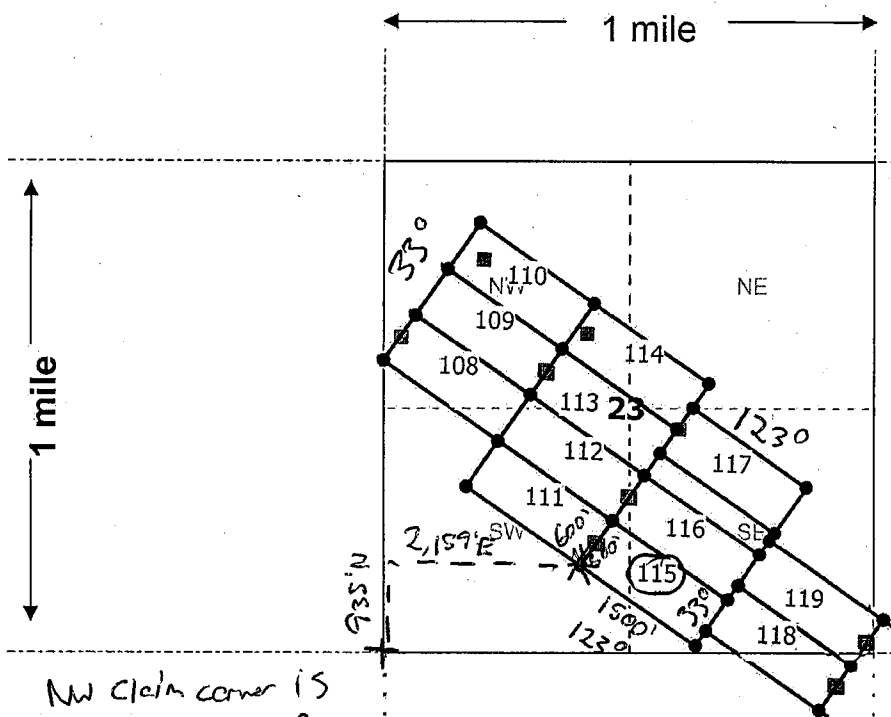


\_\_\_\_\_  
(Notary Signature)  
[Affix seal/stamp to the left or below]

AMC448306

**MINING CLAIM MAP**

Lode (X) Placer ( )  
Millsite ( )



RECEIVED  
 BLM AZ STATE OFFICE  
 PHOENIX, ARIZONA  
 2011 DEC 20 A 10:41

NW claim corner is  
2,159' E 935' N from  
SW cor S23

Scale: 1" = 2000 feet



1. The above map depicts the GRMC 115 mining claim, which is located in Section (s) 23, Township 19 N, Range 20 W, Gila and Salt River Base and Meridian, Mohave County, Arizona. Total claim acreage is 20
2. The type of corner and location monuments used are as follows: 2"X2"X50" wooden posts with metal tags or rock monument
3. The bearings and distances in degrees and feet between claim corners and to a public land survey monument are as depicted on the map.
4. If the claim is a placer or millsite claim with exterior limits conforming to legal subdivisions of the public survey, provide a legal description of the claim \_\_\_\_\_

ANCL448306

Form MCF100a  
Revised July 2014

2E

Gold Road Mining Corp.  
Suite 450, 1090 West Georgia Street  
Vancouver, BC V6E 3V7 Canada

**FEE# 2017062295**

OFFICIAL RECORDS  
OF MOHAVE COUNTY  
KRISTI BLAIR,  
COUNTY RECORDER



12/26/2017 02:27 PM Fee: \$10.00

PAGE: 1 of 2

WHEN RECORDED MAIL TO (MC):

FENNEMORE CRAIG  
2394 EAST CAMELBACK RD  
SUITE 600  
PHOENIX AZ 85016

**LOCATION NOTICE FOR LODE MINING CLAIM**

Amendment BLM Serial # \_\_\_\_\_

NOTICE IS HEREBY GIVEN that the GRMC 116  
\_\_\_\_\_ lode mining claim has been located  
by Gold Road Mining Corp. whose current mailing  
address is Suite 450, 1090 West Georgia Street  
Vancouver, BC V6E 3V7 Canada

RECEIVED  
BLM AZ STATE OFFICE  
2017 DEC 20 A 10:41  
PHOENIX, ARIZONA

BLM  
Date  
Stamp

The general course of this claim is Northwest-Southeast and it is situated in Mohave  
County, Arizona. This claim is 1500 feet in length and 600 feet in width.

20 Total Claim Acreage. This claim runs from the location monument on which this location notice  
is posted on the centerline of the claim approximately 20 feet in a NW direction to the NW  
end line and 1480 feet in a SE direction to the SE end line. This claim is marked by six  
monuments, one at each corner and one at the center of each end line of the claim.

The location monument on which this notice is posted is situated within Section 23, Township 19  
N, Range 20 W, Gila Salt River Base and Meridian, Arizona and this claim encompasses portions  
of the following quarter section(s), section(s), Township(s) and Range(s) \_\_\_\_\_  
SW1/4, SE1/4 Sec.23 T19N R20W

Gila Salt River Base and Meridian, Arizona.

The locality of this claim with reference to some natural object or permanent monument and additional information  
(if any) concerning its locality are as follows: \_\_\_\_\_  
NW corner is 2,498'E 1,428'N from SW corner of Sec.23 T19N R20W

\_\_\_\_\_ The above information is shown on the attached map.

DATED AND POSTED on the ground this 30th day of November, 20 17.

LOCATOR(s)  AGENT

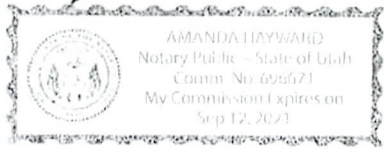
Print Name(s) Stuart Burgess

Signature(s) \_\_\_\_\_

State of Utah Salt Lake  
County of \_\_\_\_\_

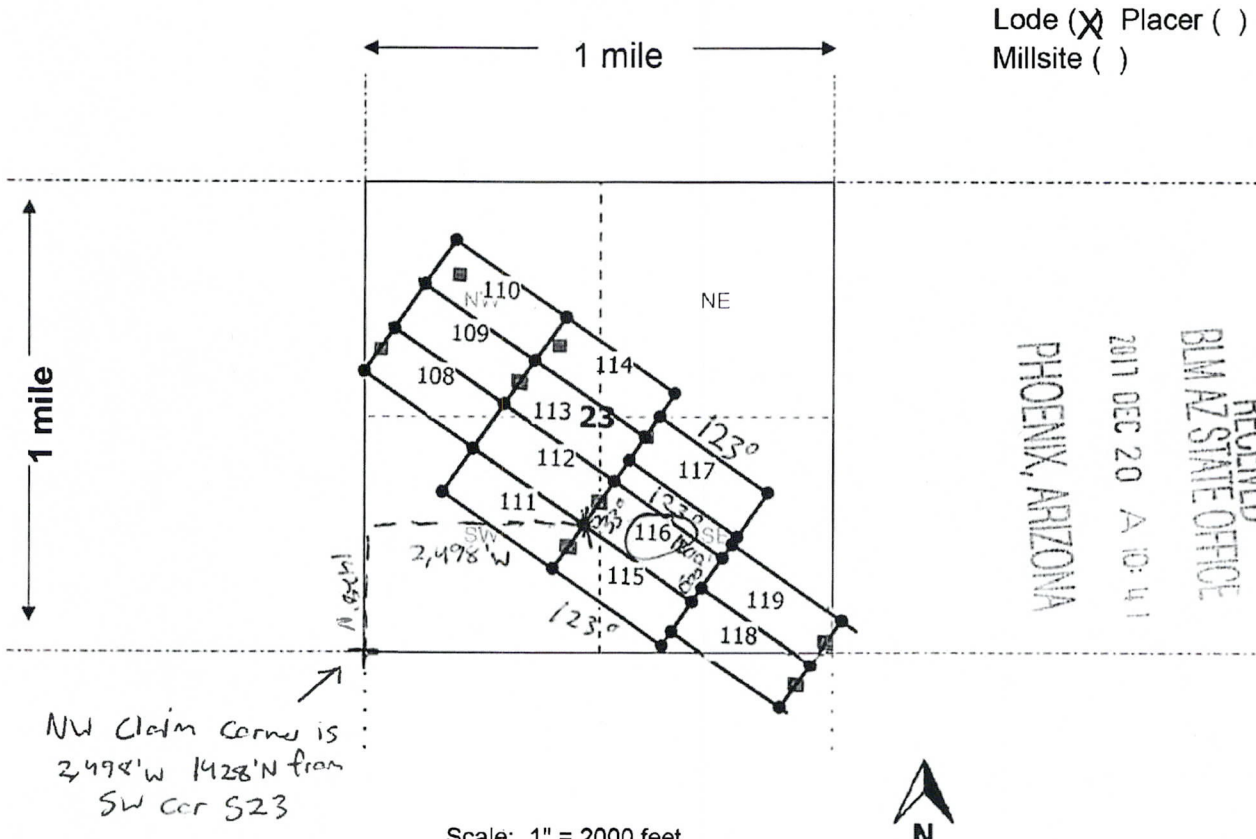
This instrument was signed and sworn to before me  
on 12/21/17 by Stuart Burgess  
(Name of signer)

\_\_\_\_\_  
(Notary Signature)  
[Affix seal/stamp to the left or below]



AMC 448307

**MINING CLAIM MAP**



NW claim corner is 2,498' W 1,428' N from SW cor S23

1. The above map depicts the GRMC 116 mining claim, which is located in Section (s) 23, Township 19 N, Range 20 W, Gila and Salt River Base and Meridian, Mohave County, Arizona. Total claim acreage is 20

2. The type of corner and location monuments used are as follows: 2"X2"X50" wooden posts with metal tags or rock monument

3. The bearings and distances in degrees and feet between claim corners and to a public land survey monument are as depicted on the map.

4. If the claim is a placer or millsite claim with exterior limits conforming to legal subdivisions of the public survey, provide a legal description of the claim \_\_\_\_\_

Form MCF100a  
Revised July 2014

This form is available from the Arizona Geology Survey and may be reproduced.

AMC 4 8307

Gold Road Mining Corp.  
Suite 450, 1090 West Georgia Street  
Vancouver, BC V6E 3V7 Canada

**LOCATION NOTICE FOR LODE MINING CLAIM**

Amendment BLM Serial # \_\_\_\_\_

NOTICE IS HEREBY GIVEN that the GRMC 116  
\_\_\_\_\_ lode mining claim has been located  
by Gold Road Mining Corp. whose current mailing  
address is Suite 450, 1090 West Georgia Street  
Vancouver, BC V6E 3V7 Canada

RECEIVED  
BLM AZ STATE OFFICE  
PHOENIX, ARIZONA  
2017 DEC 20 A 10:41  
BLM  
Date  
Stamp

The general course of this claim is Northwest-Southeast and it is situated in Mohave  
County, Arizona. This claim is 1500 feet in length and 600 feet in width.

20 Total Claim Acreage. This claim runs from the location monument on which this location notice  
is posted on the centerline of the claim approximately 20 feet in a NW direction to the NW  
end line and 1480 feet in a SE direction to the SE end line. This claim is marked by six  
monuments, one at each corner and one at the center of each end line of the claim.

The location monument on which this notice is posted is situated within Section 23, Township 19  
N, Range 20 W, Gila Salt River Base and Meridian, Arizona and this claim encompasses portions  
of the following quarter section(s), section(s), Township(s) and Range(s) \_\_\_\_\_

SW1/4, SE1/4 Sec.23 T19N R20W

Gila Salt River Base and Meridian, Arizona.

The locality of this claim with reference to some natural object or permanent monument and additional information  
(if any) concerning its locality are as follows: \_\_\_\_\_

NW corner is 2,498'E 1,428'N from SW corner of Sec.23 T19N R20W

\_\_\_\_\_ The above information is shown on the attached map.

DATED AND POSTED on the ground this 30th day of November, 20 17.

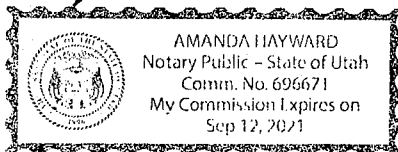
LOCATOR(s)  AGENT

Print Name(s) Stuart Burgess

Signature(s) \_\_\_\_\_

State of Utah  
County of Salt Lake

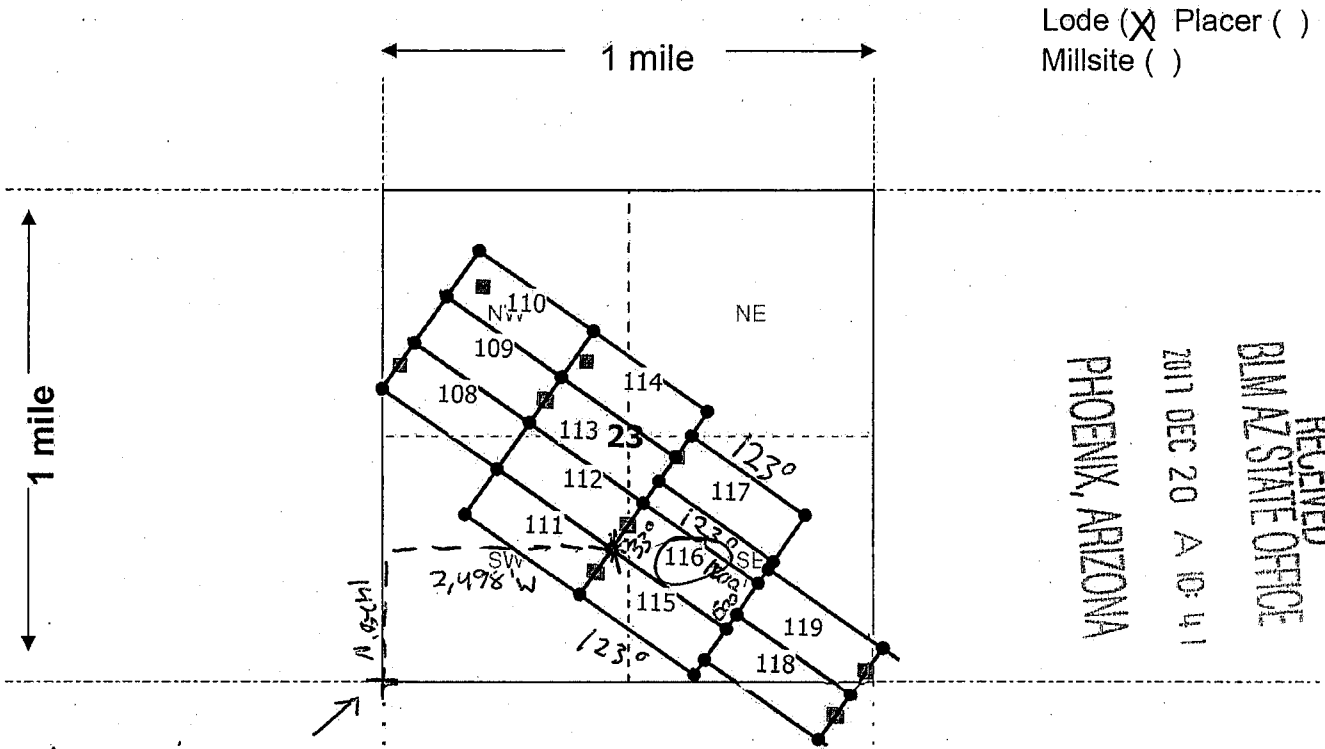
This instrument was signed and sworn to before me  
on 12/2/17 by Stuart Burgess  
(Name of signer)



ah/2  
(Notary Signature)  
[Affix seal/stamp to the left or below]

AMC 448307

**MINING CLAIM MAP**



RECEIVED  
 BLM AZ STATE OFFICE  
 2011 DEC 20 A 10:41  
 PHOENIX, ARIZONA

NW claim corner is  
 2,498' W 1,428' N from  
 SW cor S23

Scale: 1" = 2000 feet



- The above map depicts the GRMC 116 mining claim, which is located in Section (s) 23, Township 19 N, Range 20 W, Gila and Salt River Base and Meridian, Mohave County, Arizona. Total claim acreage is 20
- The type of corner and location monuments used are as follows: 2"X2"X50" wooden posts with metal tags or rock monument
- The bearings and distances in degrees and feet between claim corners and to a public land survey monument are as depicted on the map.
- If the claim is a placer or millsite claim with exterior limits conforming to legal subdivisions of the public survey, provide a legal description of the claim \_\_\_\_\_

AMC448307

Form MCF100a  
 Revised July 2014

2E

Gold Road Mining Corp.  
Suite 450, 1090 West Georgia Street  
Vancouver, BC V6E 3V7 Canada

WHEN RECORDED MAIL TO (MC):

FENNEMORE CRAIG  
2394 EAST CAMELBACK RD  
SUITE 600  
PHOENIX AZ 85016

FEE# 2017062296

OFFICIAL RECORDS  
OF MOHAVE COUNTY  
KRISTI BLAIR,  
COUNTY RECORDER



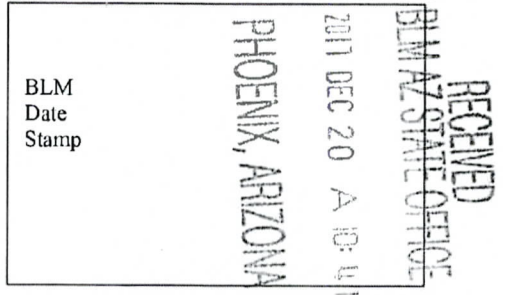
12/26/2017 02:27 PM Fee: \$10.00

PAGE: 1 of 2

LOCATION NOTICE FOR LODE MINING CLAIM

Amendment BLM Serial # \_\_\_\_\_

NOTICE IS HEREBY GIVEN that the GRMC 117  
\_\_\_\_\_ lode mining claim has been located  
by Gold Road Mining Corp whose current mailing  
address is Suite 450, 1090 West Georgia Street  
Vancouver, BC V6E 3V7 Canada



The general course of this claim is Northwest-Southeast and it is situated in Mohave  
County, Arizona. This claim is 1500 feet in length and 600 feet in width.

20 Total Claim Acreage. This claim runs from the location monument on which this location notice  
is posted on the centerline of the claim approximately 20 feet in a NW direction to the NW  
end line and 1480 feet in a SE direction to the SE end line. This claim is marked by six  
monuments, one at each corner and one at the center of each end line of the claim.

The location monument on which this notice is posted is situated within Section 23, Township 19  
N, Range 20 W, Gila Salt River Base and Meridian, Arizona and this claim encompasses portions  
of the following quarter section(s), section(s), Township(s) and Range(s) \_\_\_\_\_  
SE1/4 Sec.23 T19N R20W

Gila Salt River Base and Meridian, Arizona.

The locality of this claim with reference to some natural object or permanent monument and additional information  
(if any) concerning its locality are as follows: \_\_\_\_\_

NW claim corner is 2,263'W 2,158'N from SE corner of Sec 23 T19N R20W  
\_\_\_\_\_ The above information is shown on the attached map.

DATED AND POSTED on the ground this 30th day of November, 20 17.

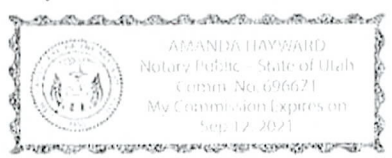
LOCATOR(s)  AGENT

Print Name(s) Stuart Burgess

Signature(s) \_\_\_\_\_

State of Utah  
County of Salt Lake

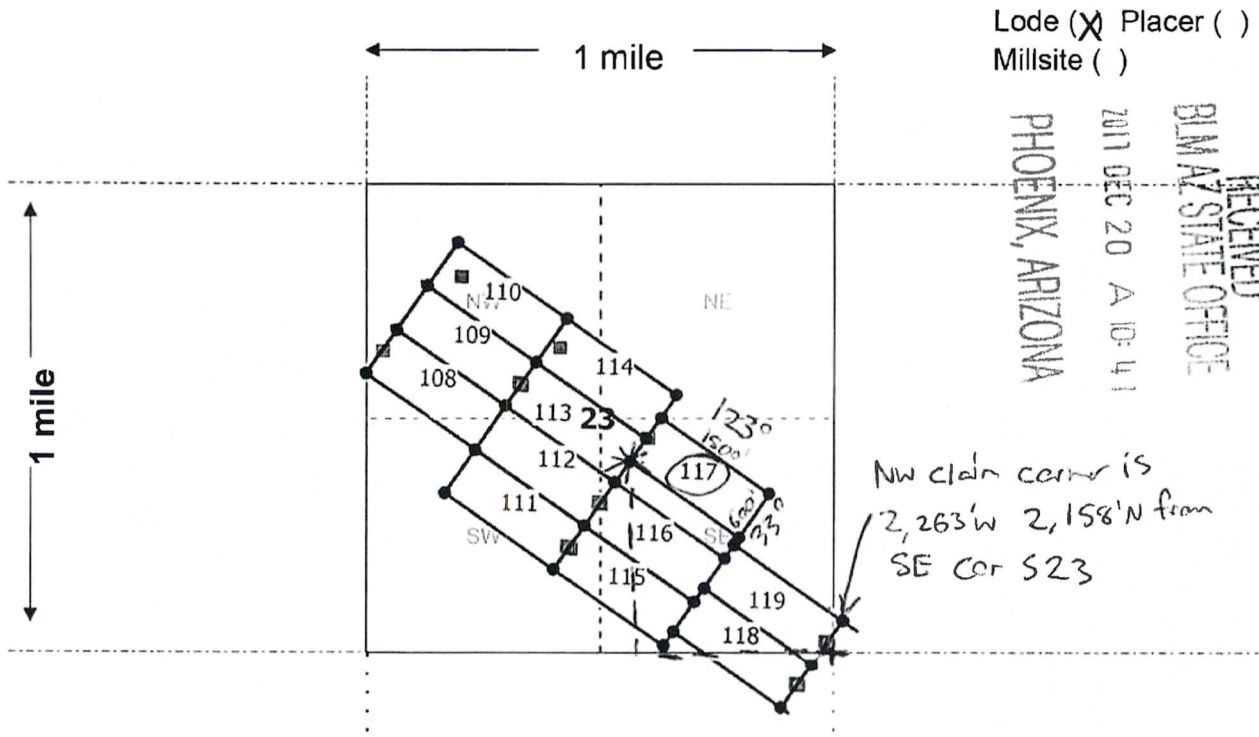
This instrument was signed and sworn to before me  
on 12/2/17 by Stuart Burgess  
(Name of signer)



\_\_\_\_\_  
(Notary Signature)  
[Affix seal/stamp to the left or below]

AMC 448308

**MINING CLAIM MAP**



1. The above map depicts the GRMC 117 mining claim, which is located in Section (s) 23, Township 19 N, Range 20 W, Gila and Salt River Base and Meridian, Mohave County, Arizona. Total claim acreage is 20
2. The type of corner and location monuments used are as follows: 2"X2"X50" wooden posts with metal tags or rock monument
3. The bearings and distances in degrees and feet between claim corners and to a public land survey monument are as depicted on the map.
4. If the claim is a placer or millsite claim with exterior limits conforming to legal subdivisions of the public survey, provide a legal description of the claim \_\_\_\_\_

Form MCF100a  
 Revised July 2014

This form is available from the **Arizona Geology Survey** and may be reproduced.

AMC 448308



Gold Road Mining Corp.  
Suite 450, 1090 West Georgia Street  
Vancouver, BC V6E 3V7 Canada

**LOCATION NOTICE FOR LODE MINING CLAIM**

Amendment BLM Serial # \_\_\_\_\_

NOTICE IS HEREBY GIVEN that the GRMC 117

\_\_\_\_\_ lode mining claim has been located  
by Gold Road Mining Corp. whose current mailing  
address is Suite 450, 1090 West Georgia Street  
Vancouver, BC V6E 3V7 Canada

RECEIVED  
BLM STATE OFFICE  
2017 DEC 20 A 10:41  
PHOENIX, ARIZONA  
BLM  
Date  
Stamp

The general course of this claim is Northwest-Southeast and it is situated in Mohave  
County, Arizona. This claim is 1500 feet in length and 600 feet in width.

20 Total Claim Acreage. This claim runs from the location monument on which this location notice  
is posted on the centerline of the claim approximately 20 feet in a NW direction to the NW  
end line and 1480 feet in a SE direction to the SE end line. This claim is marked by six  
monuments, one at each corner and one at the center of each end line of the claim.

The location monument on which this notice is posted is situated within Section 23, Township 19  
N, Range 20 W, Gila Salt River Base and Meridian, Arizona and this claim encompasses portions  
of the following quarter section(s), section(s), Township(s) and Range(s) \_\_\_\_\_  
SE1/4 Sec.23 T19N R20W

Gila Salt River Base and Meridian, Arizona.

The locality of this claim with reference to some natural object or permanent monument and additional information  
(if any) concerning its locality are as follows: \_\_\_\_\_

NW claim corner is 2,263'W 2,158'N from SE corner of Sec 23 T19N R20W

\_\_\_\_\_ The above information is shown on the attached map.

DATED AND POSTED on the ground this 30th day of November, 2017.

LOCATOR(s)  AGENT

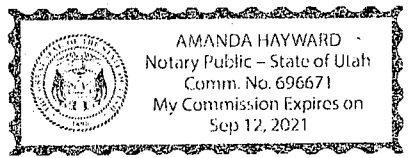
Print Name(s) Stuart Burgess

Signature(s) \_\_\_\_\_

State of Utah  
County of Salt Lake

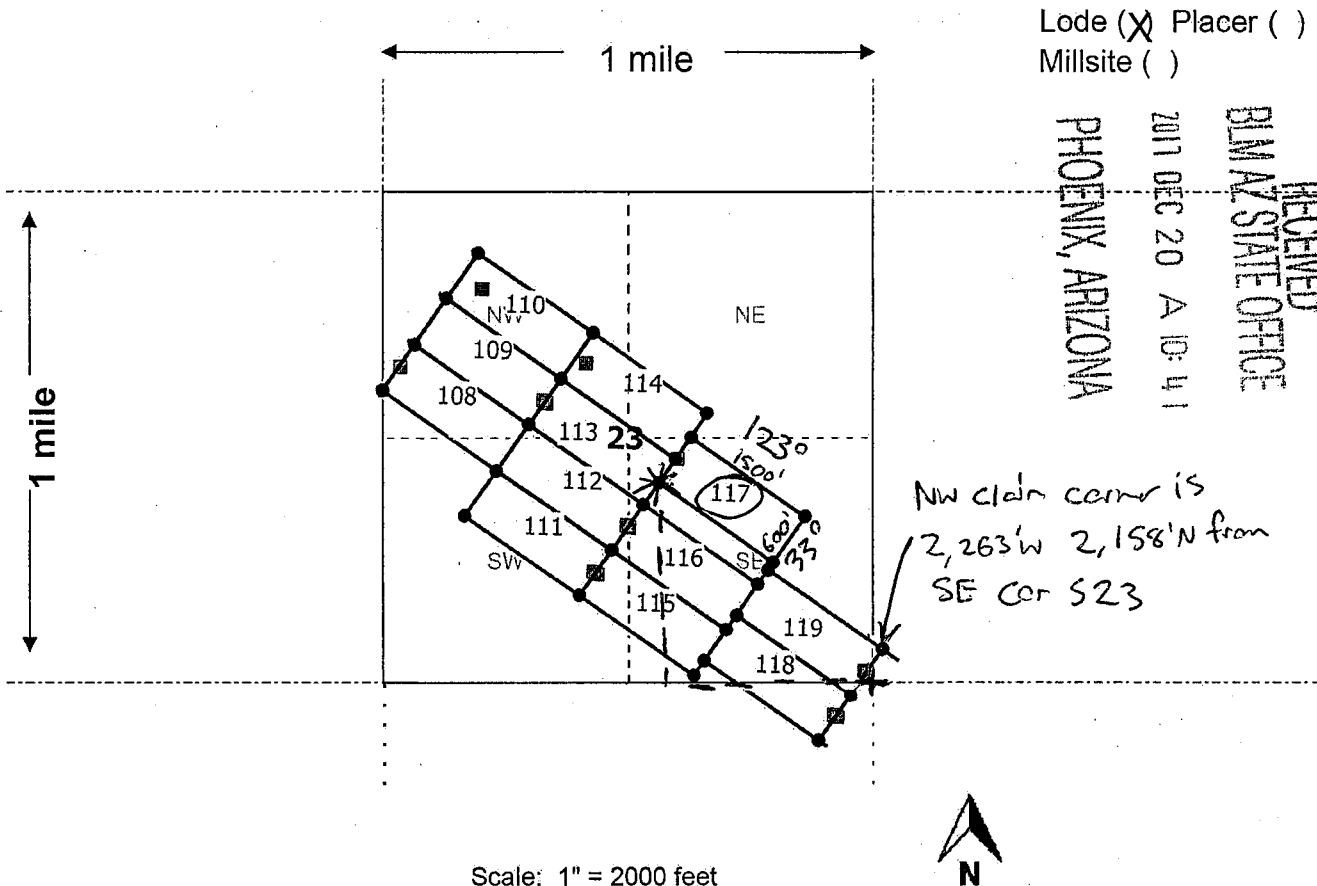
This instrument was signed and sworn to before me  
on 12/2/17 by Stuart Burgess  
(Name of signer)

\_\_\_\_\_  
(Notary Signature)  
[Affix seal/stamp to the left or below]



AMC448308

**MINING CLAIM MAP**



- The above map depicts the GRMC 117 mining claim, which is located in Section (s) 23, Township 19 N, Range 20 W, Gila and Salt River Base and Meridian, Mohave County, Arizona. Total claim acreage is 20
- The type of corner and location monuments used are as follows: 2"X2"X50" wooden posts with metal tags or rock monument
- The bearings and distances in degrees and feet between claim corners and to a public land survey monument are as depicted on the map.
- If the claim is a placer or millsite claim with exterior limits conforming to legal subdivisions of the public survey, provide a legal description of the claim \_\_\_\_\_

Form MCF100a  
 Revised July 2014

This form is available from the Arizona Geology Survey and may be reproduced.

AMC 448308

2E

Gold Road Mining Corp.  
Suite 450, 1090 West Georgia Street  
Vancouver, BC V6E 3V7 Canada

FEE# 2017062297

OFFICIAL RECORDS  
OF MOHAVE COUNTY  
KRISTI BLAIR,  
COUNTY RECORDER



12/26/2017 02:27 PM Fee: \$10.00

PAGE: 1 of 2

WHEN RECORDED MAIL TO (MC):

FENNEMORE CRAIG  
2394 EAST CAMELBACK RD  
SUITE 600  
PHOENIX AZ 85016

LOCATION NOTICE FOR LODE MINING CLAIM

Amendment BLM Serial # \_\_\_\_\_

NOTICE IS HEREBY GIVEN that the GRMC 118  
\_\_\_\_\_ lode mining claim has been located  
by Gold Road Mining Corp. whose current mailing  
address is Suite 450, 1090 West Georgia Street  
Vancouver, BC V6E 3V7 Canada

RECEIVED  
BLM AZ STATE OFFICE  
2017 DEC 20 A 10:41  
PHOENIX, ARIZONA  
BLM  
Date  
Stamp

The general course of this claim is Northwest-Southeast and it is situated in Mohave  
County, Arizona. This claim is 1500 feet in length and 600 feet in width.

20 Total Claim Acreage. This claim runs from the location monument on which this location notice  
is posted on the centerline of the claim approximately 20 feet in a SE direction to the SE  
end line and 1480 feet in a NW direction to the NW end line. This claim is marked by six  
monuments, one at each corner and one at the center of each end line of the claim.

The location monument on which this notice is posted is situated within Section 26, Township 19  
N, Range 20 W, Gila Salt River Base and Meridian, Arizona and this claim encompasses portions  
of the following quarter section(s), section(s), Township(s) and Range(s) \_\_\_\_\_  
SE1/4 Sec.23 and NE1/4 Sec.26 T19N R20W

Gila Salt River Base and Meridian, Arizona.

The locality of this claim with reference to some natural object or permanent monument and additional information  
(if any) concerning its locality are as follows: \_\_\_\_\_

NW corner is 1,767'W 243'N from SE corner of Sec.23 T19N R20W

\_\_\_\_\_ The above information is shown on the attached map.

DATED AND POSTED on the ground this 30th day of November, 20 17.

LOCATOR(s)  AGENT

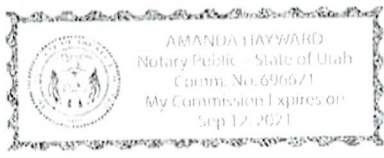
Print Name(s) Stuart Burgess

Signature(s) \_\_\_\_\_

State of Utah  
County of Salt Lake

This instrument was signed and sworn to before me  
on 12/2/17 by Stuart Burgess  
(Name of signer)

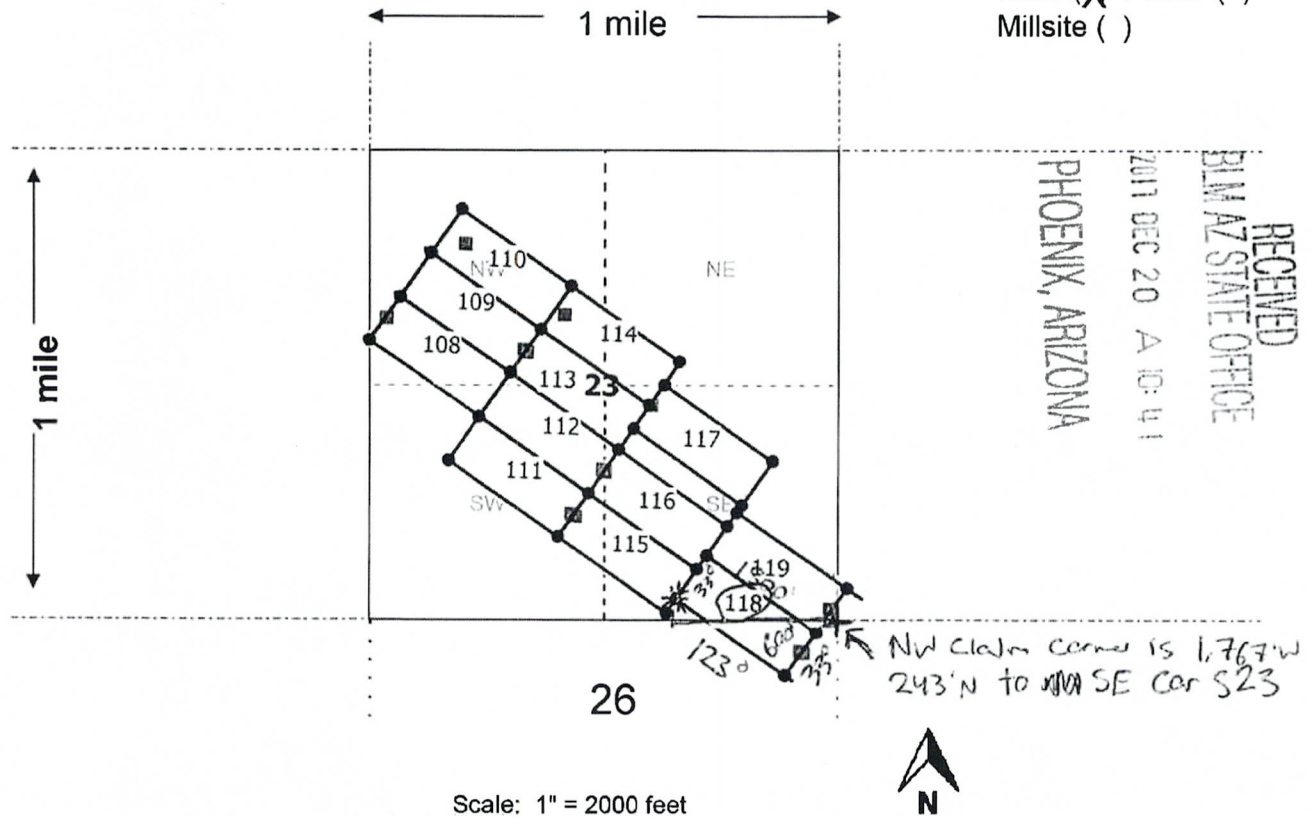
\_\_\_\_\_  
(Notary Signature)  
[Affix seal/stamp to the left or below]



AMC448309

**MINING CLAIM MAP**

Lode (X) Placer ( )  
Millsite ( )



1. The above map depicts the GRMC 118 mining claim, which is located in Section (s) 23,26, Township 19 N, Range 20 W, Gila and Salt River Base and Meridian, Mohave County, Arizona. Total claim acreage is 20
2. The type of corner and location monuments used are as follows: 2"X2"X50" wooden posts with metal tags or rock monument
3. The bearings and distances in degrees and feet between claim corners and to a public land survey monument are as depicted on the map.
4. If the claim is a placer or millsite claim with exterior limits conforming to legal subdivisions of the public survey, provide a legal description of the claim \_\_\_\_\_

AMC 448309

Form MCF100a  
Revised July 2014

This form is available from the Arizona Geology Survey and may be reproduced.

Gold Road Mining Corp.  
Suite 450, 1090 West Georgia Street  
Vancouver, BC V6E 3V7 Canada

**LOCATION NOTICE FOR LODE MINING CLAIM**

Amendment BLM Serial # \_\_\_\_\_

NOTICE IS HEREBY GIVEN that the GRMC 118

\_\_\_\_\_ lode mining claim has been located  
by Gold Road Mining Corp. whose current mailing  
address is Suite 450, 1090 West Georgia Street  
Vancouver, BC V6E 3V7 Canada

RECEIVED  
BLM STATE OFFICE  
PHOENIX, ARIZONA  
2011 DEC 20 A 10:41  
BLM  
Date  
Stamp

The general course of this claim is Northwest-Southeast and it is situated in Mohave  
County, Arizona. This claim is 1500 feet in length and 600 feet in width.

20 Total Claim Acreage. This claim runs from the location monument on which this location notice  
is posted on the centerline of the claim approximately 20 feet in a SE direction to the SE  
end line and 1480 feet in a NW direction to the NW end line. This claim is marked by six  
monuments, one at each corner and one at the center of each end line of the claim.

The location monument on which this notice is posted is situated within Section 26, Township 19  
N, Range 20 W, Gila Salt River Base and Meridian, Arizona and this claim encompasses portions  
of the following quarter section(s), section(s), Township(s) and Range(s) \_\_\_\_\_

SE1/4 Sec.23 and NE1/4 Sec.26 T19N R20W  
Gila Salt River Base and Meridian, Arizona.

The locality of this claim with reference to some natural object or permanent monument and additional information  
(if any) concerning its locality are as follows: \_\_\_\_\_

NW corner is 1,767'W 243'N from SE corner of Sec.23 T19N R20W  
\_\_\_\_\_ The above information is shown on the attached map.

DATED AND POSTED on the ground this 30th day of November, 20 17.

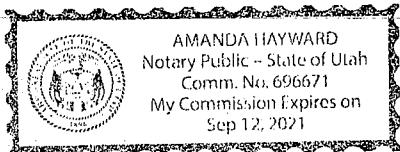
LOCATOR(s)  AGENT

Print Name(s) Stuart Burgess

Signature(s) \_\_\_\_\_

State of Utah  
County of Salt Lake

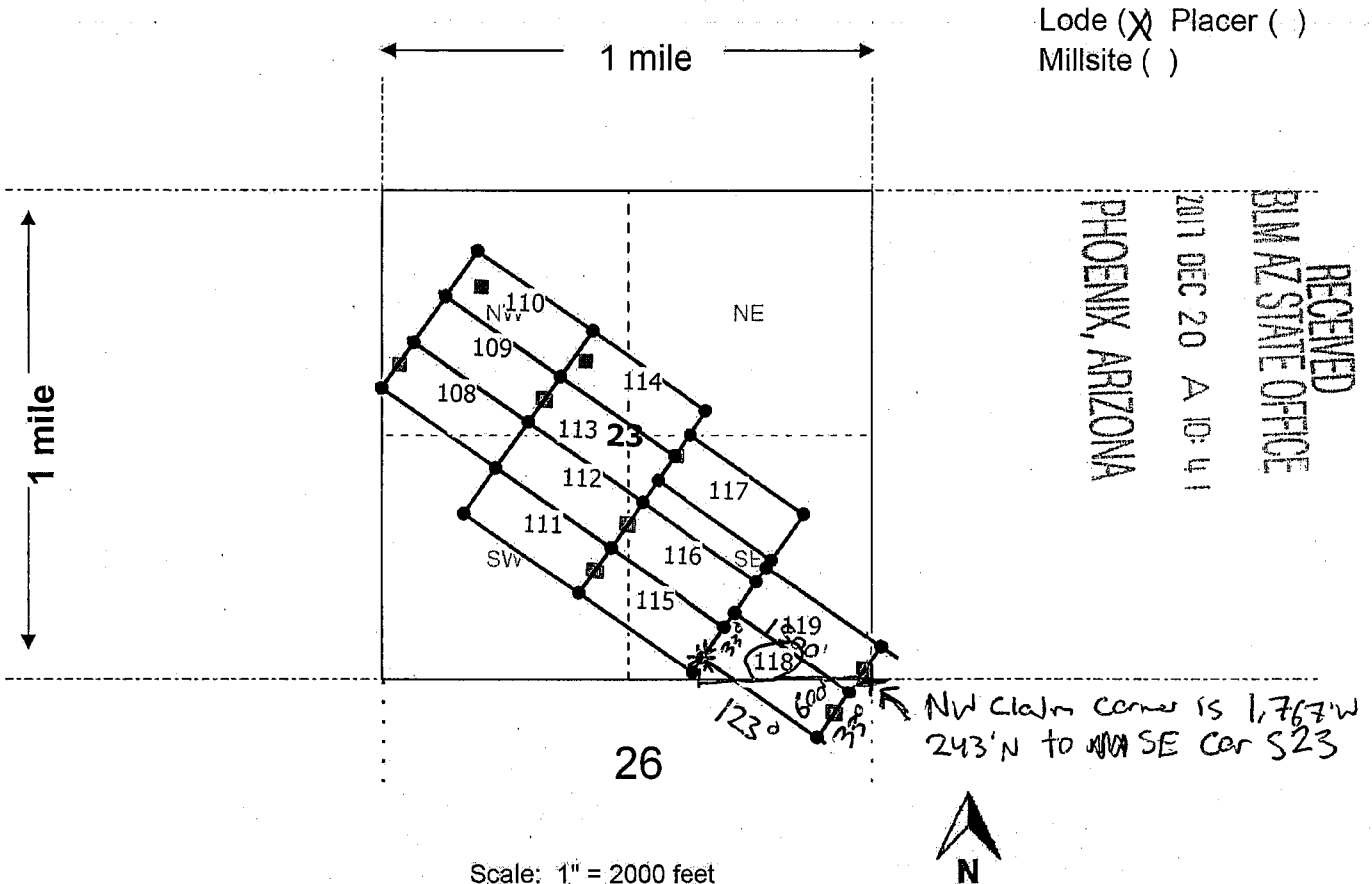
This instrument was signed and sworn to before me  
on 12/2/17 by Stuart Burgess  
(Name of signer)



\_\_\_\_\_  
(Notary Signature)  
[Affix seal/stamp to the left or below]

AMC448309

**MINING CLAIM MAP**



1. The above map depicts the GRMC 118 mining claim, which is located in Section (s) 23,26, Township 19 N, Range 20 W, Gila and Salt River Base and Meridian, Mohave County, Arizona. Total claim acreage is 20

2. The type of corner and location monuments used are as follows: 2"X2"X50" wooden posts with metal tags or rock monument

3. The bearings and distances in degrees and feet between claim corners and to a public land survey monument are as depicted on the map.

4. If the claim is a placer or millsite claim with exterior limits conforming to legal subdivisions of the public survey, provide a legal description of the claim \_\_\_\_\_

Form MCF100a  
Revised July 2014

AMC 448309

2E

Gold Road Mining Corp.  
Suite 450, 1090 West Georgia Street  
Vancouver, BC V6E 3V7 Canada

WHEN RECORDED MAIL TO (MC):

FENNEMORE CRAIG  
2394 EAST CAMELBACK RD  
SUITE 600  
PHOENIX AZ 85016

**FEE# 2017062298**

OFFICIAL RECORDS  
OF MOHAVE COUNTY  
KRISTI BLAIR,  
COUNTY RECORDER



12/26/2017 02:27 PM Fee: \$10.00

PAGE: 1 of 2

**LOCATION NOTICE FOR LODE MINING CLAIM**

Amendment BLM Serial # \_\_\_\_\_

NOTICE IS HEREBY GIVEN that the GRMC 119  
\_\_\_\_\_ lode mining claim has been located  
by Gold Road Mining Corp. whose current mailing  
address is Suite 450, 1090 West Georgia Street  
Vancouver, BC V6E 3V7 Canada

RECEIVED  
BLM AZ STATE OFFICE  
2017 DEC 20 A 10:40  
PHOENIX, ARIZONA

BLM  
Date  
Stamp

The general course of this claim is Northwest-Southeast and it is situated in Mohave  
County, Arizona. This claim is 1500 feet in length and 600 feet in width.

20 Total Claim Acreage. This claim runs from the location monument on which this location notice  
is posted on the centerline of the claim approximately 20 feet in a SE direction to the SE  
end line and 1480 feet in a NW direction to the NW end line. This claim is marked by six  
monuments, one at each corner and one at the center of each end line of the claim.

The location monument on which this notice is posted is situated within Section 23, Township 19  
N, Range 20 W, Gila Salt River Base and Meridian, Arizona and this claim encompasses portions  
of the following quarter section(s), section(s), Township(s) and Range(s) \_\_\_\_\_  
SE1/4 Sec.23 and SW1/4 Sec.24 and NE1/4 Sec.26 T19N R20W

Gila Salt River Base and Meridian, Arizona.

The locality of this claim with reference to some natural object or permanent monument and additional information  
(if any) concerning its locality are as follows: \_\_\_\_\_

NW claim corner is 1,423'W 736'N from SE corner of Sec.23 T19N R20W

\_\_\_\_\_ The above information is shown on the attached map.

DATED AND POSTED on the ground this 30th day of November, 2017.

LOCATOR(s)  AGENT

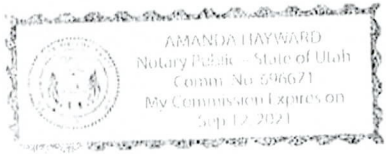
Print Name(s) Stuart Burgess

Signature(s) \_\_\_\_\_

State of Utah  
County of Salt Lake

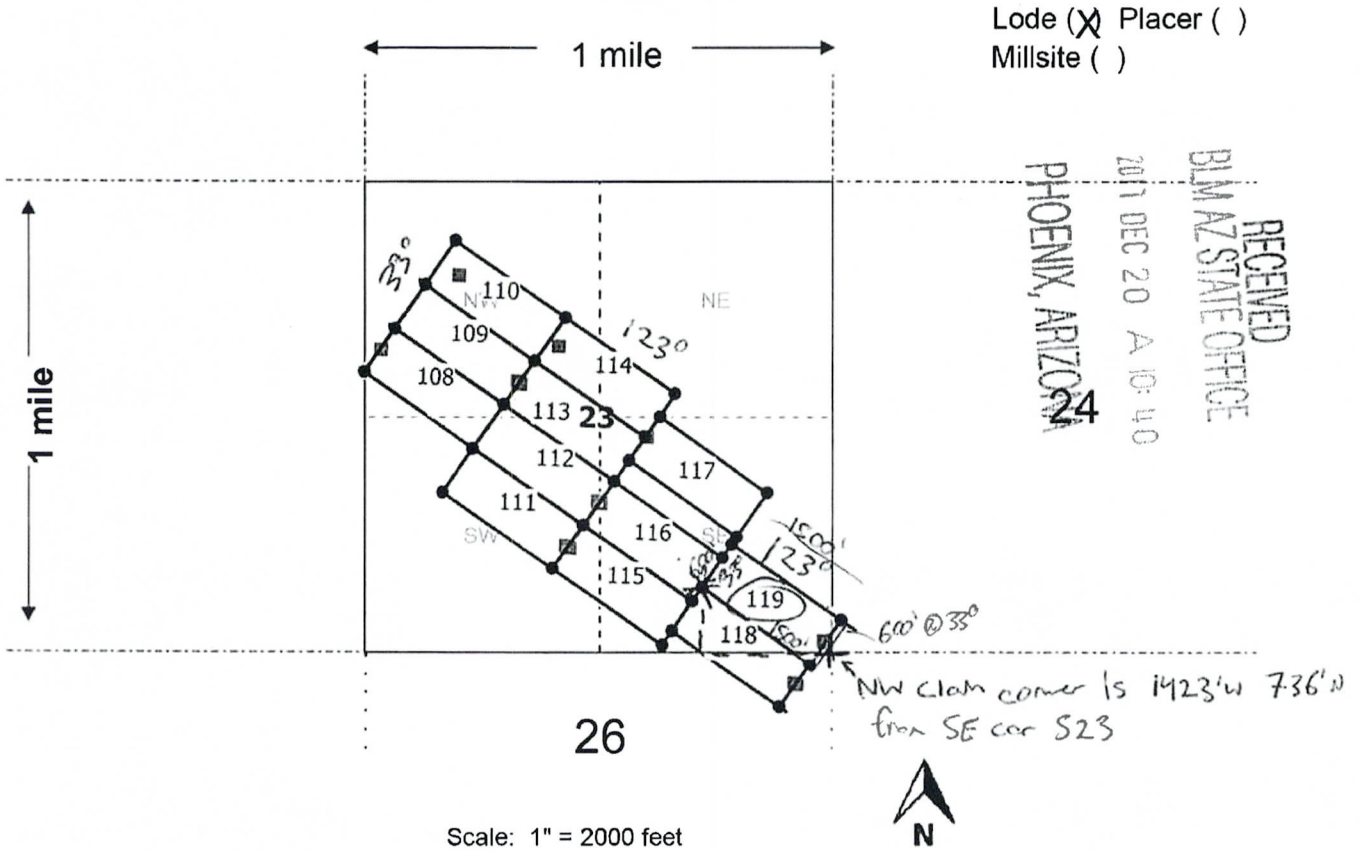
This instrument was signed and sworn to before me  
on 12/2/17 by Stuart Burgess  
(Name of signer)

\_\_\_\_\_  
(Notary Signature)  
[Affix seal/stamp to the left or below]



AMC448310

**MINING CLAIM MAP**



1. The above map depicts the GRMC 119 mining claim, which is located in Section (s) 23,24,26, Township 19 N, Range 20 W, Gila and Salt River Base and Meridian, Mohave County, Arizona. Total claim acreage is 20
2. The type of corner and location monuments used are as follows: 2"X2"X50" wooden posts with metal tags or rock monument
3. The bearings and distances in degrees and feet between claim corners and to a public land survey monument are as depicted on the map.
4. If the claim is a placer or millsite claim with exterior limits conforming to legal subdivisions of the public survey, provide a legal description of the claim \_\_\_\_\_

AMC448310



Gold Road Mining Corp.  
Suite 450, 1090 West Georgia Street  
Vancouver, BC V6E 3V7 Canada

LOCATION NOTICE FOR LODE MINING CLAIM

Amendment BLM Serial # \_\_\_\_\_

NOTICE IS HEREBY GIVEN that the GRMC 119  
\_\_\_\_\_ lode mining claim has been located  
by Gold Road Mining Corp. whose current mailing  
address is Suite 450, 1090 West Georgia Street  
Vancouver, BC V6E 3V7 Canada

RECEIVED  
BLM STATE OFFICE  
2017 DEC 20 A 10:40  
PHOENIX, ARIZONA  
BLM  
Date  
Stamp

The general course of this claim is Northwest-Southeast and it is situated in Mohave  
County, Arizona. This claim is 1500 feet in length and 600 feet in width.

20 Total Claim Acreage. This claim runs from the location monument on which this location notice  
is posted on the centerline of the claim approximately 20 feet in a SE direction to the SE  
end line and 1480 feet in a NW direction to the NW end line. This claim is marked by six  
monuments, one at each corner and one at the center of each end line of the claim.

The location monument on which this notice is posted is situated within Section 23, Township 19  
N, Range 20 W, Gila Salt River Base and Meridian, Arizona and this claim encompasses portions  
of the following quarter section(s), section(s), Township(s) and Range(s) \_\_\_\_\_  
SE1/4 Sec.23 and SW1/4 Sec.24 and NE1/4 Sec.26 T19N R20W

Gila Salt River Base and Meridian, Arizona.

The locality of this claim with reference to some natural object or permanent monument and additional information  
(if any) concerning its locality are as follows: \_\_\_\_\_

NW claim corner is 1,423'W 736'N from SE corner of Sec.23 T19N R20W

\_\_\_\_\_ The above information is shown on the attached map.

DATED AND POSTED on the ground this 30th day of November, 20 17.

LOCATOR(s)  AGENT

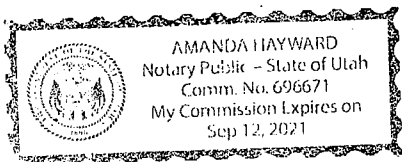
Print Name(s) Stuart Burgess

Signature(s) \_\_\_\_\_

State of Utah  
County of Salt Lake

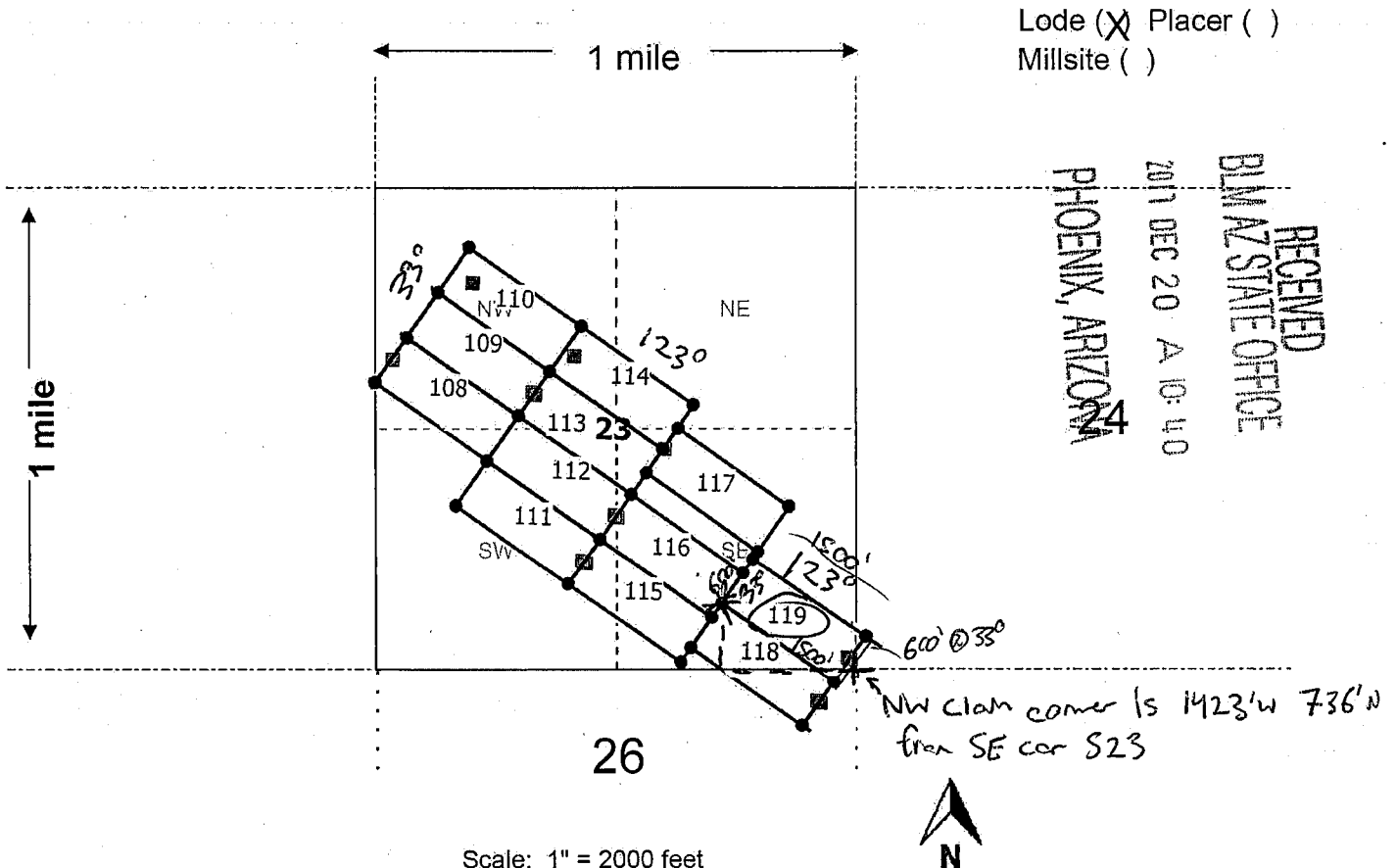
This instrument was signed and sworn to before me  
on 12/2/17 by Stuart Burgess  
(Name of signer)

[Signature]  
(Notary Signature)  
[Affix seal/stamp to the left or below]



AMC 448310

**MINING CLAIM MAP**



- The above map depicts the GRMC 119 mining claim, which is located in Section (s) 23, 24, 26, Township 19 N, Range 20 W, Gila and Salt River Base and Meridian, Mohave County, Arizona. Total claim acreage is 20
- The type of corner and location monuments used are as follows: 2"X2"X50" wooden posts with metal tags or rock monument
- The bearings and distances in degrees and feet between claim corners and to a public land survey monument are as depicted on the map.
- If the claim is a placer or millsite claim with exterior limits conforming to legal subdivisions of the public survey, provide a legal description of the claim \_\_\_\_\_

Form MCF100a  
Revised July 2014

This form is available from the Arizona Geology Survey and may be reproduced.

AMC448310

2E

Gold Road Mining Corp.  
Suite 450, 1090 West Georgia Street  
Vancouver, BC V6E 3V7 Canada

WHEN RECORDED MAIL TO (MC):

FENNEMORE CRAIG  
2394 EAST CAMELBACK RD  
SUITE 600  
PHOENIX AZ 85016

**FEE# 2017062299**

OFFICIAL RECORDS  
OF MOHAVE COUNTY  
KRISTI BLAIR,  
COUNTY RECORDER



12/26/2017 02:27 PM Fee: \$10.00

PAGE: 1 of 2

**LOCATION NOTICE FOR LODE MINING CLAIM**

Amendment BLM Serial # \_\_\_\_\_

NOTICE IS HEREBY GIVEN that the GRMC 120  
\_\_\_\_\_ lode mining claim has been located  
by Gold Road Mining Corp. whose current mailing  
address is Suite 450, 1090 West Georgia Street  
Vancouver, BC V6E 3V7 Canada

RECEIVED  
BLM AZ STATE OFFICE  
PHOENIX, ARIZONA  
2017 DEC 20 A 10:40  
BLM  
Date  
Stamp

The general course of this claim is Northwest-Southeast and it is situated in Mohave  
County, Arizona. This claim is 1500 feet in length and 600 feet in width.

20 Total Claim Acreage. This claim runs from the location monument on which this location notice  
is posted on the centerline of the claim approximately 20 feet in a SE direction to the SE  
end line and 1480 feet in a NW direction to the NW end line. This claim is marked by six  
monuments, one at each corner and one at the center of each end line of the claim.

The location monument on which this notice is posted is situated within Section 24, Township 19  
N, Range 20 W, Gila Salt River Base and Meridian, Arizona and this claim encompasses portions  
of the following quarter section(s), section(s), Township(s) and Range(s) \_\_\_\_\_  
SW1/4 Sec.24 T19N R20W

Gila Salt River Base and Meridian, Arizona.

The locality of this claim with reference to some natural object or permanent monument and additional information  
(if any) concerning its locality are as follows: \_\_\_\_\_

NW claim corner is 926'E 3,630'S from NW corner of Sec.24 T19N R20W

\_\_\_\_\_ The above information is shown on the attached map.

DATED AND POSTED on the ground this 30th day of November, 20 17.

LOCATOR(s)  AGENT

Print Name(s) Stuart Burgess

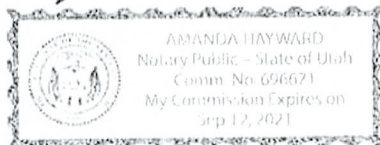
Signature(s) \_\_\_\_\_

State of Utah Salt Lake  
County of \_\_\_\_\_

This instrument was signed and sworn to before me  
on 12/2/17 by Stuart Burgess  
(Name of signer)

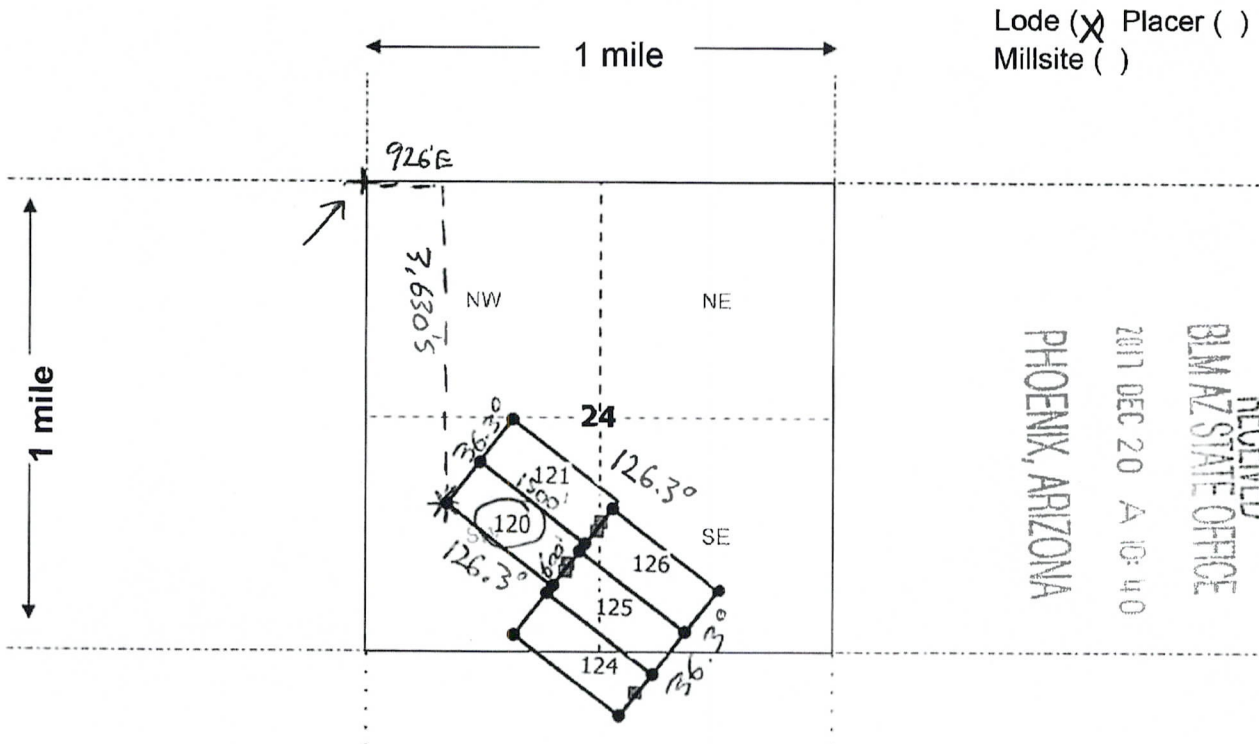
\_\_\_\_\_  
(Notary Signature)

[Affix seal/stamp to the left or below]



AMC 448311

**MINING CLAIM MAP**



Lode (X) Placer ( )  
Millsite ( )

RECEIVED  
BLM AZ STATE OFFICE  
2011 DEC 20 A 10:40  
PHOENIX, ARIZONA

AMC 448311

Scale: 1" = 2000 feet



1. The above map depicts the GRMC 120 mining claim, which is located in Section (s) 24, Township 19 N, Range 20 W, Gila and Salt River Base and Meridian, Mohave County, Arizona. Total claim acreage is 20
2. The type of corner and location monuments used are as follows: 2"X2"X50" wooden posts with metal tags or rock monument
3. The bearings and distances in degrees and feet between claim corners and to a public land survey monument are as depicted on the map.
4. If the claim is a placer or millsite claim with exterior limits conforming to legal subdivisions of the public survey, provide a legal description of the claim \_\_\_\_\_

Form MCF100a  
Revised July 2014

This form is available from the **Arizona Geology Survey** and may be reproduced.

Gold Road Mining Corp.  
Suite 450, 1090 West Georgia Street  
Vancouver, BC V6E 3V7 Canada

**LOCATION NOTICE FOR LODE MINING CLAIM**

Amendment BLM Serial # \_\_\_\_\_

NOTICE IS HEREBY GIVEN that the GRMC 120  
\_\_\_\_\_ lode mining claim has been located  
by Gold Road Mining Corp. whose current mailing  
address is Suite 450, 1090 West Georgia Street  
Vancouver, BC V6E 3V7 Canada

RECEIVED  
BLM STATE OFFICE  
PHOENIX, ARIZONA  
2017 DEC 20 A 10:40  
BLM  
Date  
Stamp

The general course of this claim is Northwest-Southeast and it is situated in Mohave  
County, Arizona. This claim is 1500 feet in length and 600 feet in width.

20 Total Claim Acreage. This claim runs from the location monument on which this location notice  
is posted on the centerline of the claim approximately 20 feet in a SE direction to the SE  
end line and 1480 feet in a NW direction to the NW end line. This claim is marked by six  
monuments, one at each corner and one at the center of each end line of the claim.

The location monument on which this notice is posted is situated within Section 24, Township 19  
N, Range 20 W, Gila Salt River Base and Meridian, Arizona and this claim encompasses portions  
of the following quarter section(s), section(s), Township(s) and Range(s) \_\_\_\_\_  
SW1/4 Sec.24 T19N R20W

Gila Salt River Base and Meridian, Arizona.

The locality of this claim with reference to some natural object or permanent monument and additional information  
(if any) concerning its locality are as follows: \_\_\_\_\_

NW claim corner is 926'E 3,630'S from NW corner of Sec.24 T19N R20W

\_\_\_\_\_ The above information is shown on the attached map.

DATED AND POSTED on the ground this 30th day of November, 20 17.

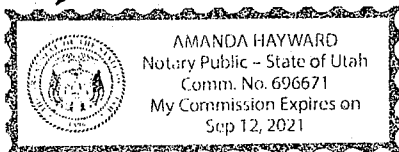
LOCATOR(s)  AGENT

Print Name(s) Stuart Burgess

Signature(s) \_\_\_\_\_

State of Utah  
County of Salt Lake

This instrument was signed and sworn to before me  
on 12/2/17 by Stuart Burgess  
(Name of signer)

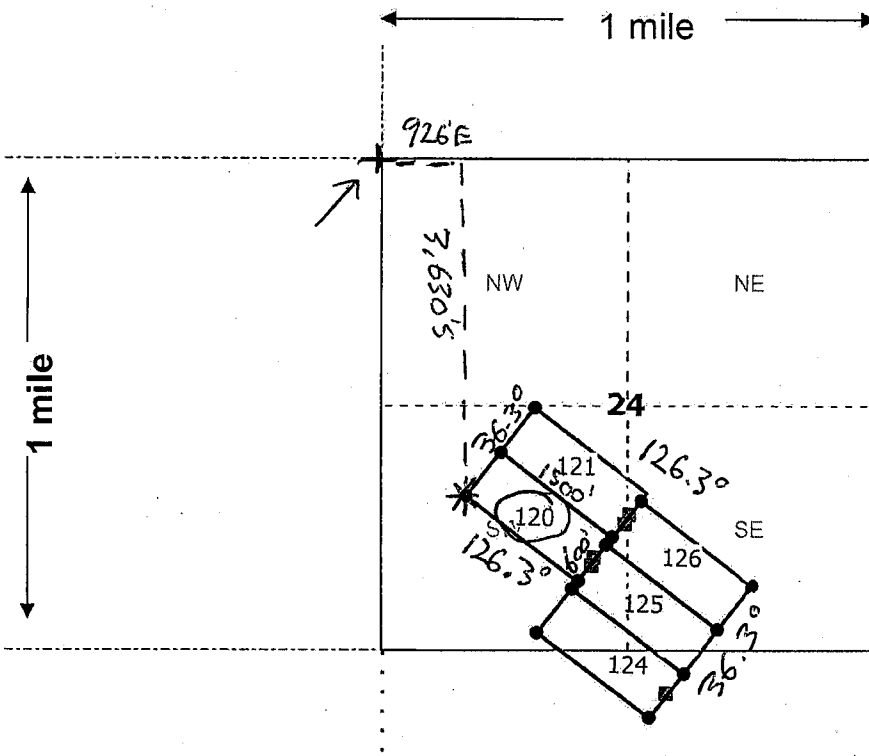


ASH  
(Notary Signature)  
[Affix seal/stamp to the left or below]

AN 448311

**MINING CLAIM MAP**

Lode (X) Placer ( )  
Millsite ( )



RECEIVED  
 BLM AZ STATE OFFICE  
 2017 DEC 20 A 10:40  
 PHOENIX, ARIZONA

AMC448311

Scale: 1" = 2000 feet



- The above map depicts the GRMC 120 mining claim, which is located in Section (s) 24, Township 19 N, Range 20 W, Gila and Salt River Base and Meridian, Mohave County, Arizona. Total claim acreage is 20
- The type of corner and location monuments used are as follows: 2"X2"X50" wooden posts with metal tags or rock monument
- The bearings and distances in degrees and feet between claim corners and to a public land survey monument are as depicted on the map.
- If the claim is a placer or millsite claim with exterior limits conforming to legal subdivisions of the public survey, provide a legal description of the claim \_\_\_\_\_

Form MCF100a  
Revised July 2014

2E

Gold Road Mining Corp.  
Suite 450, 1090 West Georgia Street  
Vancouver, BC V6E 3V7 Canada

WHEN RECORDED MAIL TO (MC):

FENNEMORE CRAIG  
2394 EAST CAMELBACK RD  
SUITE 600  
PHOENIX AZ 85016

**FEE# 2017062300**

OFFICIAL RECORDS  
OF MOHAVE COUNTY  
KRISTI BLAIR,  
COUNTY RECORDER



12/26/2017 02:27 PM Fee: \$10.00

PAGE: 1 of 2

**LOCATION NOTICE FOR LODE MINING CLAIM**

Amendment BLM Serial # \_\_\_\_\_

NOTICE IS HEREBY GIVEN that the GRMC 121  
\_\_\_\_\_ lode mining claim has been located  
by Gold Road Mining Corp. whose current mailing  
address is Suite 450, 1090 West Georgia Street  
Vancouver, BC V6E 3V7 Canada

RECEIVED  
BLM AZ STATE OFFICE  
PHOENIX, ARIZONA  
DEC 20 A 10:40

The general course of this claim is Northwest-Southeast and it is situated in Mohave  
County, Arizona. This claim is 1500 feet in length and 600 feet in width.

20 Total Claim Acreage. This claim runs from the location monument on which this location notice  
is posted on the centerline of the claim approximately 20 feet in a SE direction to the SE  
end line and 1480 feet in a NW direction to the NW end line. This claim is marked by six  
monuments, one at each corner and one at the center of each end line of the claim.

The location monument on which this notice is posted is situated within Section 24, Township 19  
N, Range 20 W, Gila Salt River Base and Meridian, Arizona and this claim encompasses portions  
of the following quarter section(s), section(s), Township(s) and Range(s) \_\_\_\_\_  
SW1/4, SE1/4 Sec.24 T19N R20W

Gila Salt River Base and Meridian, Arizona.

The locality of this claim with reference to some natural object or permanent monument and additional information  
(if any) concerning its locality are as follows: \_\_\_\_\_

NW claim corner is 1.301'E 3.165'S from NW corner of Sec.24 T19N R20W

\_\_\_\_\_ The above information is shown on the attached map.

DATED AND POSTED on the ground this 30th day of November, 20 17.

LOCATOR(s)  AGENT

Print Name(s) Stuart Burgess

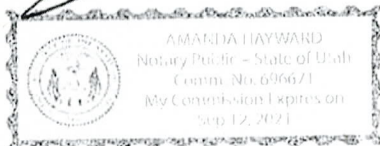
Signature(s) \_\_\_\_\_

State of Utah Salt Lake  
County of \_\_\_\_\_

This instrument was signed and sworn to before me  
on 12/2/17 by Stuart Burgess  
(Name of signer)

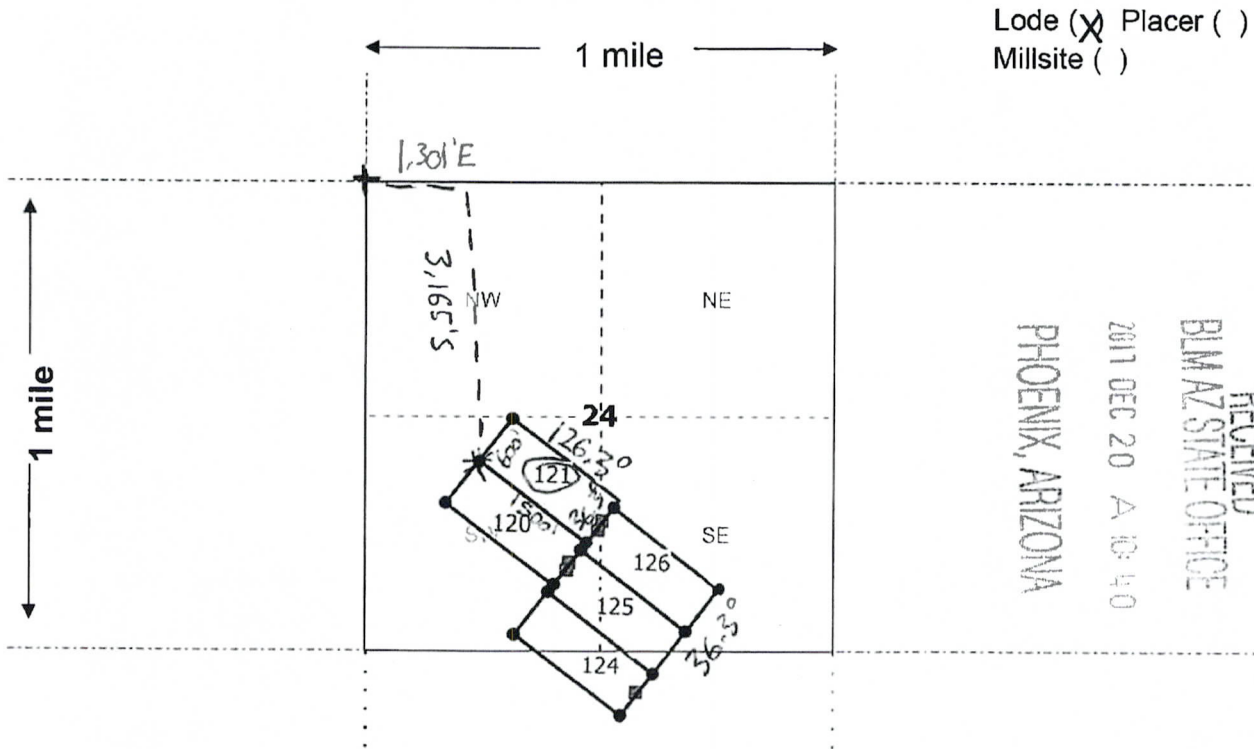
AKH  
(Notary Signature)

[Affix seal/stamp to the left or below]



AMC448312

**MINING CLAIM MAP**



Scale: 1" = 2000 feet

1. The above map depicts the GRMC 121 mining claim, which is located in Section (s) 24, Township 19 N, Range 20 W, Gila and Salt River Base and Meridian, Mohave County, Arizona. Total claim acreage is 20
2. The type of corner and location monuments used are as follows: 2"X2"X50" wooden posts with metal tags or rock monument
3. The bearings and distances in degrees and feet between claim corners and to a public land survey monument are as depicted on the map.
4. If the claim is a placer or millsite claim with exterior limits conforming to legal subdivisions of the public survey, provide a legal description of the claim \_\_\_\_\_

Form MCF100a  
Revised July 2014

This form is available from the Arizona Geology Survey and may be reproduced.

AMC448312



Gold Road Mining Corp.  
Suite 450, 1090 West Georgia Street  
Vancouver, BC V6E 3V7 Canada

**LOCATION NOTICE FOR LODE MINING CLAIM**

Amendment BLM Serial # \_\_\_\_\_

NOTICE IS HEREBY GIVEN that the GRMC 121

\_\_\_\_\_ lode mining claim has been located  
by Gold Road Mining Corp. whose current mailing  
address is Suite 450, 1090 West Georgia Street  
Vancouver, BC V6E 3V7 Canada

RECEIVED  
BLM STATE OFFICE  
2011 DEC 20 A 10:40  
PHOENIX, ARIZONA  
BLM  
Date  
Stamp

The general course of this claim is Northwest-Southeast and it is situated in Mohave  
County, Arizona. This claim is 1500 feet in length and 600 feet in width.

20 Total Claim Acreage. This claim runs from the location monument on which this location notice  
is posted on the centerline of the claim approximately 20 feet in a SE direction to the SE  
end line and 1480 feet in a NW direction to the NW end line. This claim is marked by six  
monuments, one at each corner and one at the center of each end line of the claim.

The location monument on which this notice is posted is situated within Section 24, Township 19  
N, Range 20 W, Gila Salt River Base and Meridian, Arizona and this claim encompasses portions  
of the following quarter section(s), section(s), Township(s) and Range(s) \_\_\_\_\_

SW1/4, SE1/4 Sec.24 T19N R20W

Gila Salt River Base and Meridian, Arizona.

The locality of this claim with reference to some natural object or permanent monument and additional information  
(if any) concerning its locality are as follows: \_\_\_\_\_

NW claim corner is 1,301'E 3,165'S from NW corner of Sec.24 T19N R20W

\_\_\_\_\_ The above information is shown on the attached map.

DATED AND POSTED on the ground this 30th day of November, 20 17.

LOCATOR(s)  AGENT

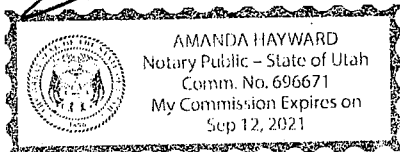
Print Name(s) Stuart Burgess

Signature(s) \_\_\_\_\_

State of Utah  
County of Salt Lake

This instrument was signed and sworn to before me  
on 12/2/17 by Stuart Burgess  
(Name of signer)

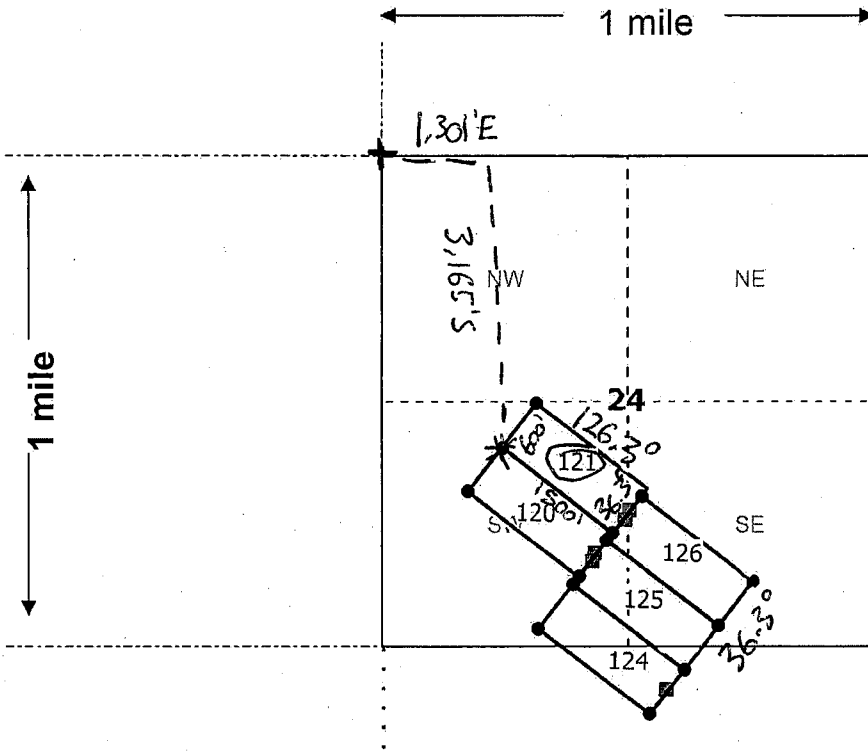
AMH  
(Notary Signature)  
[Affix seal/stamp to the left or below]



AM04483121

**MINING CLAIM MAP**

Lode (X) Placer ( )  
Millsite ( )



RECEIVED  
BLM AZ STATE OFFICE  
2011 DEC 20 A 10:40  
PHOENIX, ARIZONA

Scale: 1" = 2000 feet



- The above map depicts the GRMC 121 mining claim, which is located in Section (s) 24, Township 19 N, Range 20 W, Gila and Salt River Base and Meridian, Mohave County, Arizona. Total claim acreage is 20
- The type of corner and location monuments used are as follows: 2"X2"X50" wooden posts with metal tags or rock monument
- The bearings and distances in degrees and feet between claim corners and to a public land survey monument are as depicted on the map.
- If the claim is a placer or millsite claim with exterior limits conforming to legal subdivisions of the public survey, provide a legal description of the claim \_\_\_\_\_

AMC 4 8 3 1 2

Form MCF100a  
Revised July 2014

This form is available from the Arizona Geology Survey and may be reproduced.

2E

Gold Road Mining Corp.  
Suite 450, 1090 West Georgia Street  
Vancouver, BC V6E 3V7 Canada

WHEN RECORDED MAIL TO (MC):

FENNEMORE CRAIG  
2394 EAST CAMELBACK RD  
SUITE 600  
PHOENIX AZ 85016



FEE# 2017062301

OFFICIAL RECORDS  
OF MOHAVE COUNTY  
KRISTI BLAIR,  
COUNTY RECORDER



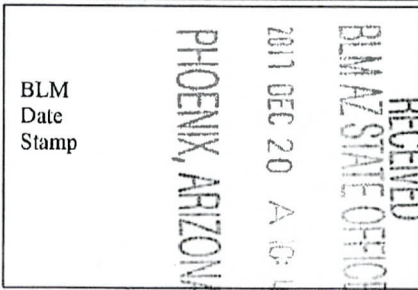
12/26/2017 02:27 PM Fee: \$10.00

PAGE: 1 of 2

LOCATION NOTICE FOR LODE MINING CLAIM

Amendment BLM Serial # \_\_\_\_\_

NOTICE IS HEREBY GIVEN that the GRMC 122  
\_\_\_\_\_ lode mining claim has been located  
by Gold Road Mining Corp. whose current mailing  
address is Suite 450, 1090 West Georgia Street  
Vancouver, BC V6E 3V7 Canada



The general course of this claim is Northwest-Southeast and it is situated in Mohave  
County, Arizona. This claim is 1500 feet in length and 600 feet in width.

20 Total Claim Acreage. This claim runs from the location monument on which this location notice  
is posted on the centerline of the claim approximately 20 feet in a NW direction to the NW  
end line and 1480 feet in a SE direction to the SE end line. This claim is marked by six  
monuments, one at each corner and one at the center of each end line of the claim.

The location monument on which this notice is posted is situated within Section 26, Township 19  
N, Range 20 W, Gila Salt River Base and Meridian, Arizona and this claim encompasses portions  
of the following quarter section(s), section(s), Township(s) and Range(s) \_\_\_\_\_  
NE1/4 Sec.26 and NW1/4 Sec.25 T19N R20W

Gila Salt River Base and Meridian, Arizona.

The locality of this claim with reference to some natural object or permanent monument and additional information  
(if any) concerning its locality are as follows: \_\_\_\_\_

NW claim corner is 4,735'E 602'S from NW corner of Sec.26 T19N R20W

\_\_\_\_\_ The above information is shown on the attached map.

DATED AND POSTED on the ground this 30th day of November, 20 17.

LOCATOR(s)  AGENT

Print Name(s) Stuart Burgess

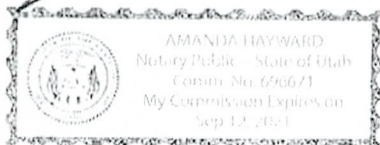
Signature(s) \_\_\_\_\_

State of Utah Salt Lake  
County of \_\_\_\_\_

This instrument was signed and sworn to before me  
on 12/2/17 by Stuart Burgess  
(Name of signer)

[Signature]  
(Notary Signature)

[Affix seal/stamp to the left or below]

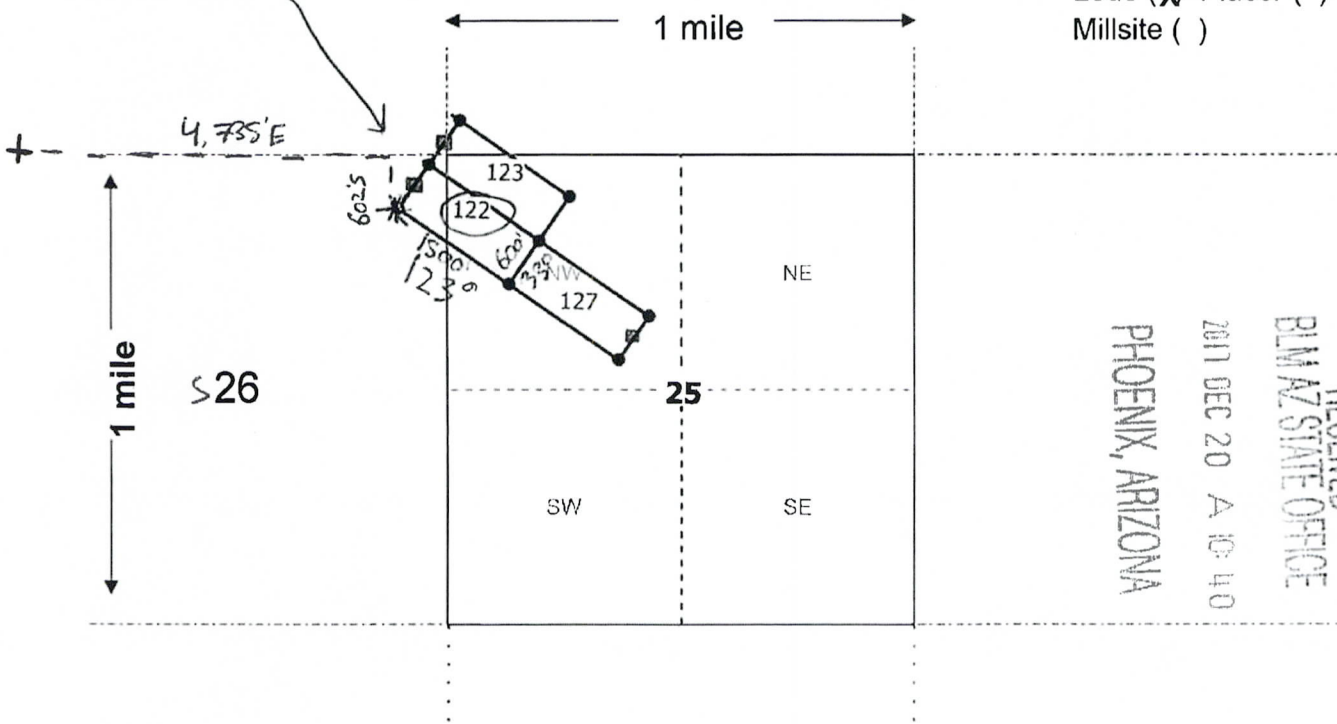


AMC 448313

NW claim corner is  
4,735' E 602' S from  
NW cor S26

**MINING CLAIM MAP**

Lode (X) Placer ( )  
Millsite ( )



RECEIVED  
BLM AZ STATE OFFICE  
2017 DEC 20 A 10:40  
PHOENIX, ARIZONA

Scale: 1" = 2000 feet



1. The above map depicts the GRMC 122 mining claim, which is located in Section (s) 25,26, Township 19 N, Range 20 W, Gila and Salt River Base and Meridian, Mohave County, Arizona. Total claim acreage is 20

2. The type of corner and location monuments used are as follows: 2"X2"X50" wooden posts with metal tags or rock monument

3. The bearings and distances in degrees and feet between claim corners and to a public land survey monument are as depicted on the map.

4. If the claim is a placer or millsite claim with exterior limits conforming to legal subdivisions of the public survey, provide a legal description of the claim \_\_\_\_\_

Form MCF100a  
Revised July 2014

This form is available from the Arizona Geology Survey and may be reproduced.

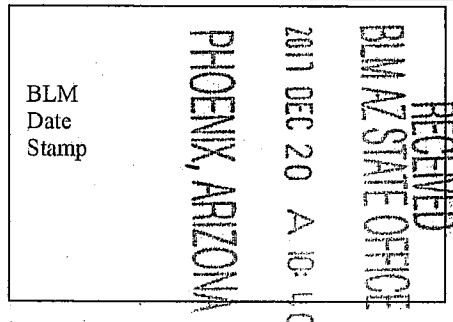
AMC448313

Gold Road Mining Corp.  
Suite 450, 1090 West Georgia Street  
Vancouver, BC V6E 3V7 Canada

LOCATION NOTICE FOR LODE MINING CLAIM

Amendment BLM Serial # \_\_\_\_\_

NOTICE IS HEREBY GIVEN that the GRMC 122  
\_\_\_\_\_ lode mining claim has been located  
by Gold Road Mining Corp. whose current mailing  
address is Suite 450, 1090 West Georgia Street  
Vancouver, BC V6E 3V7 Canada



The general course of this claim is Northwest-Southeast and it is situated in Mohave  
County, Arizona. This claim is 1500 feet in length and 600 feet in width.

20 Total Claim Acreage. This claim runs from the location monument on which this location notice  
is posted on the centerline of the claim approximately 20 feet in a NW direction to the NW  
end line and 1480 feet in a SE direction to the SE end line. This claim is marked by six  
monuments, one at each corner and one at the center of each end line of the claim.

The location monument on which this notice is posted is situated within Section 26, Township 19  
N, Range 20 W, Gila Salt River Base and Meridian, Arizona and this claim encompasses portions  
of the following quarter section(s), section(s), Township(s) and Range(s) \_\_\_\_\_

NE1/4 Sec.26 and NW1/4 Sec.25 T19N R20W  
Gila Salt River Base and Meridian, Arizona.

The locality of this claim with reference to some natural object or permanent monument and additional information  
(if any) concerning its locality are as follows: \_\_\_\_\_

NW claim corner is 4,735'E 602'S from NW corner of Sec.26 T19N R20W

\_\_\_\_\_ The above information is shown on the attached map.

DATED AND POSTED on the ground this 30th day of November, 20 17.

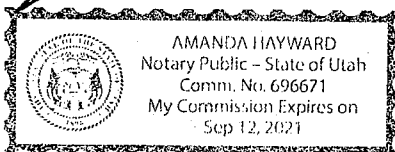
LOCATOR(s)  AGENT

Print Name(s) Stuart Burgess

Signature(s) \_\_\_\_\_

State of Utah  
County of Salt Lake

This instrument was signed and sworn to before me  
on 12/2/17 by Stuart Burgess  
(Name of signer)



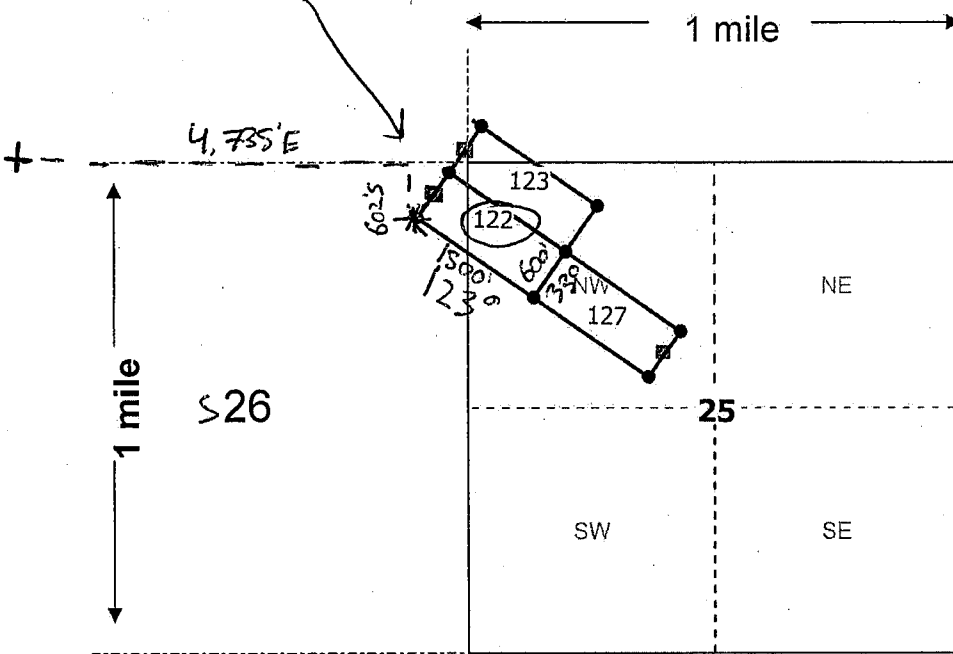
[Signature]  
(Notary Signature)  
[Affix seal/stamp to the left or below]

AMC448313

NW claim corner is  
4,735' E 602' S from  
NW cor S26

**MINING CLAIM MAP**

Lode (X) Placer ( )  
Millsite ( )



RECEIVED  
BIMAZ STATE OFFICE  
2011 DEC 20 A 10:40  
PHOENIX, ARIZONA

Scale: 1" = 2000 feet



1. The above map depicts the GRMC 122 mining claim, which is located in Section (s) 25, 26, Township 19 N, Range 20 W, Gila and Salt River Base and Meridian, Mohave County, Arizona. Total claim acreage is 20

2. The type of corner and location monuments used are as follows: 2"X2"X50" wooden posts with metal tags or rock monument

3. The bearings and distances in degrees and feet between claim corners and to a public land survey monument are as depicted on the map.

4. If the claim is a placer or millsite claim with exterior limits conforming to legal subdivisions of the public survey, provide a legal description of the claim \_\_\_\_\_

Form MCF100a  
Revised July 2014

This form is available from the Arizona Geology Survey and may be reproduced.

AMC 448313

2E

Gold Road Mining Corp.  
Suite 450, 1090 West Georgia Street  
Vancouver, BC V6E 3V7 Canada

WHEN RECORDED MAIL TO (MC):

FENNEMORE CRAIG  
2394 EAST CAMELBACK RD  
SUITE 600  
PHOENIX AZ 85016

**FEE# 2017062302**

OFFICIAL RECORDS  
OF MOHAVE COUNTY  
KRISTI BLAIR,  
COUNTY RECORDER



12/26/2017 02:27 PM Fee: \$10.00

PAGE: 1 of 2

**LOCATION NOTICE FOR LODE MINING CLAIM**

Amendment BLM Serial # \_\_\_\_\_

NOTICE IS HEREBY GIVEN that the GRMC 123  
\_\_\_\_\_ lode mining claim has been located  
by Gold Road Mining Corp. whose current mailing  
address is Suite 450, 1090 West Georgia Street  
Vancouver, BC V6E 3V7 Canada

RECEIVED  
BLM AZ STATE OFFICE  
2017 DEC 20 A 10:40  
PHOENIX, ARIZONA  
BLM  
Date  
Stamp

The general course of this claim is Northwest-Southeast and it is situated in Mohave  
County, Arizona. This claim is 1500 feet in length and 600 feet in width.

20 Total Claim Acreage. This claim runs from the location monument on which this location notice  
is posted on the centerline of the claim approximately 20 feet in a NW direction to the NW  
end line and 1480 feet in a SE direction to the SE end line. This claim is marked by six  
monuments, one at each corner and one at the center of each end line of the claim.

The location monument on which this notice is posted is situated within Section 23, Township 19  
N, Range 20 W, Gila Salt River Base and Meridian, Arizona and this claim encompasses portions  
of the following quarter section(s), section(s), Township(s) and Range(s) \_\_\_\_\_  
NE1/4 Sec.26 and NW1/4 Sec.25 and SW1/4 Sec.24 T19N R20W

Gila Salt River Base and Meridian, Arizona.

The locality of this claim with reference to some natural object or permanent monument and additional information  
(if any) concerning its locality are as follows: \_\_\_\_\_

NW claim corner is 5,078'E 112'S from NW corner of Sec.26 T19N R20W

\_\_\_\_\_ The above information is shown on the attached map.

DATED AND POSTED on the ground this 30th day of November, 20 17.

LOCATOR(s)  AGENT

Print Name(s) Stuart Burgess

Signature(s) \_\_\_\_\_

State of Utah  
County of Salt Lake

This instrument was signed and sworn to before me  
on 12/2/17 by Stuart Burgess  
(Name of signer)

[Signature]

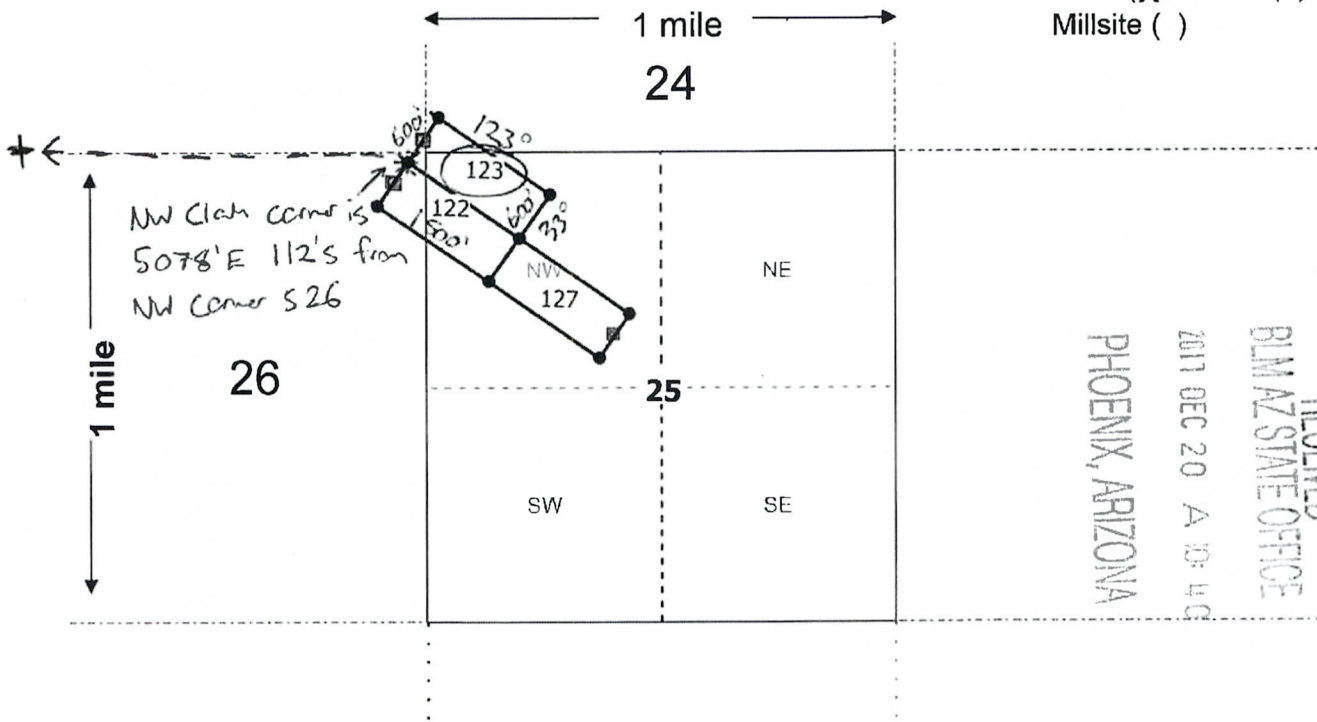
(Notary Signature)  
[Affix seal/stamp to the left or below]



AMC 448314

**MINING CLAIM MAP**

Lode (X) Placer ( )  
Millsite ( )



Scale: 1" = 2000 feet



- The above map depicts the GRMC 123 mining claim, which is located in Section (s) 24, 25, 26, Township 19 N, Range 20 W, Gila and Salt River Base and Meridian, Mohave County, Arizona. Total claim acreage is 20
- The type of corner and location monuments used are as follows: 2"X2"X50" wooden posts with metal tags or rock monument
- The bearings and distances in degrees and feet between claim corners and to a public land survey monument are as depicted on the map.
- If the claim is a placer or millsite claim with exterior limits conforming to legal subdivisions of the public survey, provide a legal description of the claim \_\_\_\_\_

AMC448314

Form MCF100a  
Revised July 2014



Gold Road Mining Corp.  
Suite 450, 1090 West Georgia Street  
Vancouver, BC V6E 3V7 Canada

LOCATION NOTICE FOR LODE MINING CLAIM

Amendment BLM Serial # \_\_\_\_\_

NOTICE IS HEREBY GIVEN that the GRMC 123  
\_\_\_\_\_ lode mining claim has been located  
by Gold Road Mining Corp. whose current mailing  
address is Suite 450, 1090 West Georgia Street  
Vancouver, BC V6E 3V7 Canada

RECEIVED  
BLM AZ STATE OFFICE  
2017 DEC 20 A 10:40  
PHOENIX, ARIZONA  
BLM  
Date  
Stamp

The general course of this claim is Northwest-Southeast and it is situated in Mohave  
County, Arizona. This claim is 1500 feet in length and 600 feet in width.

20 Total Claim Acreage. This claim runs from the location monument on which this location notice  
is posted on the centerline of the claim approximately 20 feet in a NW direction to the NW  
end line and 1480 feet in a SE direction to the SE end line. This claim is marked by six  
monuments, one at each corner and one at the center of each end line of the claim.

The location monument on which this notice is posted is situated within Section 23, Township 19  
N, Range 20 W, Gila Salt River Base and Meridian, Arizona and this claim encompasses portions  
of the following quarter section(s), section(s), Township(s) and Range(s) \_\_\_\_\_  
NE1/4 Sec.26 and NW1/4 Sec.25 and SW1/4 Sec.24 T19N R20W

Gila Salt River Base and Meridian, Arizona.

The locality of this claim with reference to some natural object or permanent monument and additional information  
(if any) concerning its locality are as follows: \_\_\_\_\_

NW claim corner is 5,078'E 112'S from NW corner of Sec.26 T19N R20W

\_\_\_\_\_ The above information is shown on the attached map.

DATED AND POSTED on the ground this 30th day of November, 20 17.

LOCATOR(s)  AGENT

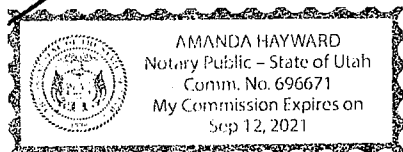
Print Name(s) Stuart Burgess

Signature(s) \_\_\_\_\_

State of Utah  
County of Salt Lake

This instrument was signed and sworn to before me  
on 12/2/17 by Stuart Burgess  
(Name of signer)

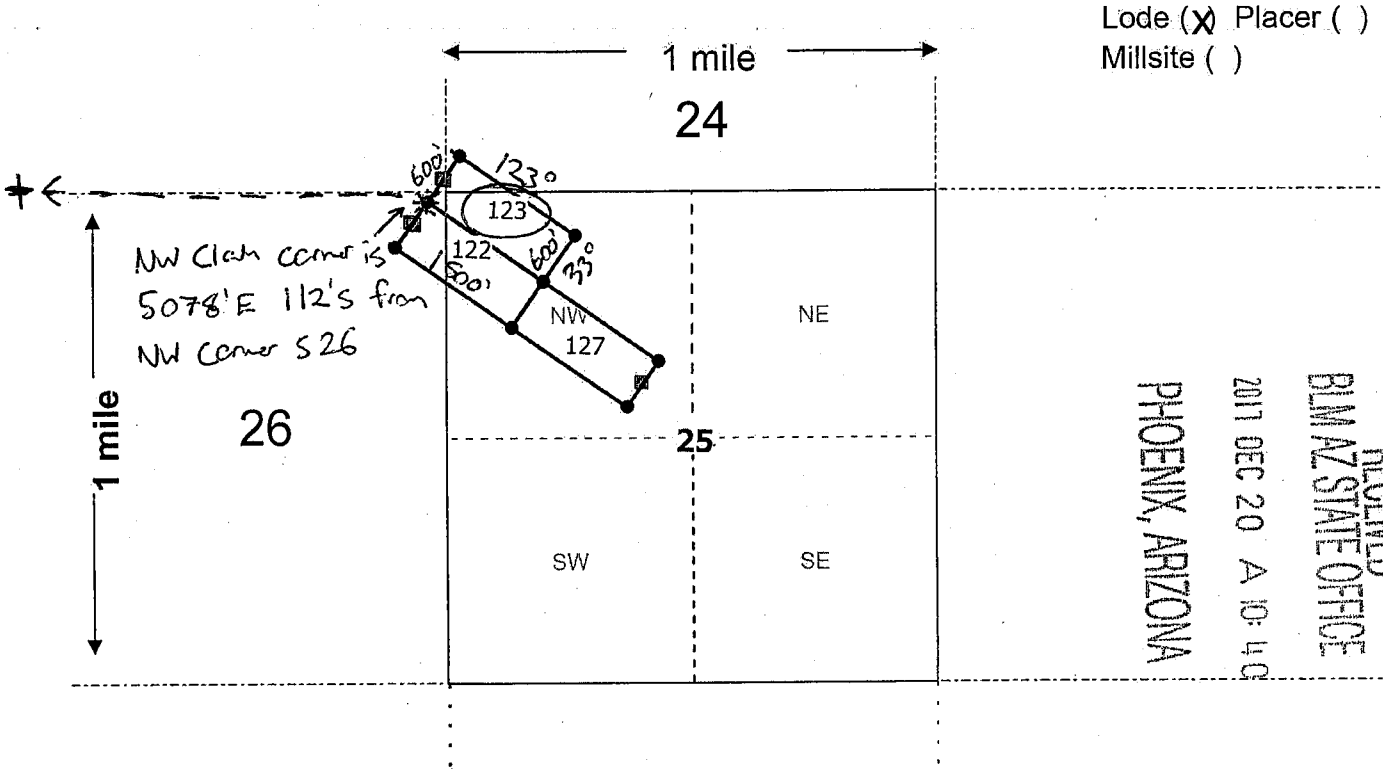
AMH



(Notary Signature)  
[Affix seal/stamp to the left or below]

AM0448314

**MINING CLAIM MAP**



Lode (X) Placer ( )  
Millsite ( )

RECEIVED  
 BLM AZ STATE OFFICE  
 2017 DEC 20 A 10:40  
 PHOENIX, ARIZONA

Scale: 1" = 2000 feet



1. The above map depicts the GRMC 123 mining claim, which is located in Section (s) 24, 25, 26, Township 19 N, Range 20 W, Gila and Salt River Base and Meridian, Mohave County, Arizona. Total claim acreage is 20

2. The type of corner and location monuments used are as follows: 2"X2"X50" wooden posts with metal tags or rock monument

3. The bearings and distances in degrees and feet between claim corners and to a public land survey monument are as depicted on the map.

4. If the claim is a placer or millsite claim with exterior limits conforming to legal subdivisions of the public survey, provide a legal description of the claim \_\_\_\_\_

Form MCF100a  
Revised July 2014

This form is available from the Arizona Geology Survey and may be reproduced.

AMC 4 8314

2E

Gold Road Mining Corp.  
Suite 450, 1090 West Georgia Street  
Vancouver, BC V6E 3V7 Canada

WHEN RECORDED MAIL TO (MC):

FENNEMORE CRAIG  
2394 EAST CAMELBACK RD  
SUITE 600  
PHOENIX AZ 85016



FEE# 2017062303

OFFICIAL RECORDS  
OF MOHAVE COUNTY  
KRISTI BLAIR,  
COUNTY RECORDER



12/26/2017 02:27 PM Fee: \$10.00

PAGE: 1 of 2

LOCATION NOTICE FOR LODE MINING CLAIM

Amendment BLM Serial # \_\_\_\_\_

NOTICE IS HEREBY GIVEN that the GRMC 124

\_\_\_\_\_ lode mining claim has been located

by Gold Road Mining Corp. whose current mailing  
address is Suite 450, 1090 West Georgia Street  
Vancouver, BC V6E 3V7 Canada

RECEIVED  
BLM AZ STATE OFFICE  
PHOENIX, ARIZONA  
2017 DEC 20 A 10:40  
BLM Date Stamp

The general course of this claim is Northwest-Southeast and it is situated in Mohave  
County, Arizona. This claim is 1500 feet in length and 600 feet in width.

20 Total Claim Acreage. This claim runs from the location monument on which this location notice  
is posted on the centerline of the claim approximately 20 feet in a SE direction to the SE  
end line and 1480 feet in a NW direction to the NW end line. This claim is marked by six  
monuments, one at each corner and one at the center of each end line of the claim.

The location monument on which this notice is posted is situated within Section 25, Township 19  
N, Range 20 W, Gila Salt River Base and Meridian, Arizona and this claim encompasses portions  
of the following quarter section(s), section(s), Township(s) and Range(s) \_\_\_\_\_  
SW1/4 and SE 1/4 Sec.24 and NW1/4 and NE1/4 Sec.25

Gila Salt River Base and Meridian, Arizona.

The locality of this claim with reference to some natural object or permanent monument and additional information  
(if any) concerning its locality are as follows: \_\_\_\_\_

NW claim corner is 1,681'E 5,104'S from NW corner of Sec.24 T19N R20W

\_\_\_\_\_ The above information is shown on the attached map.

DATED AND POSTED on the ground this 30th day of November, 20 17.

LOCATOR(s)  AGENT

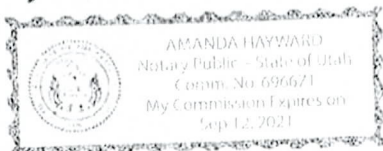
Print Name(s) Stuart Burgess

Signature(s) \_\_\_\_\_

State of Utah  
County of Salt Lake

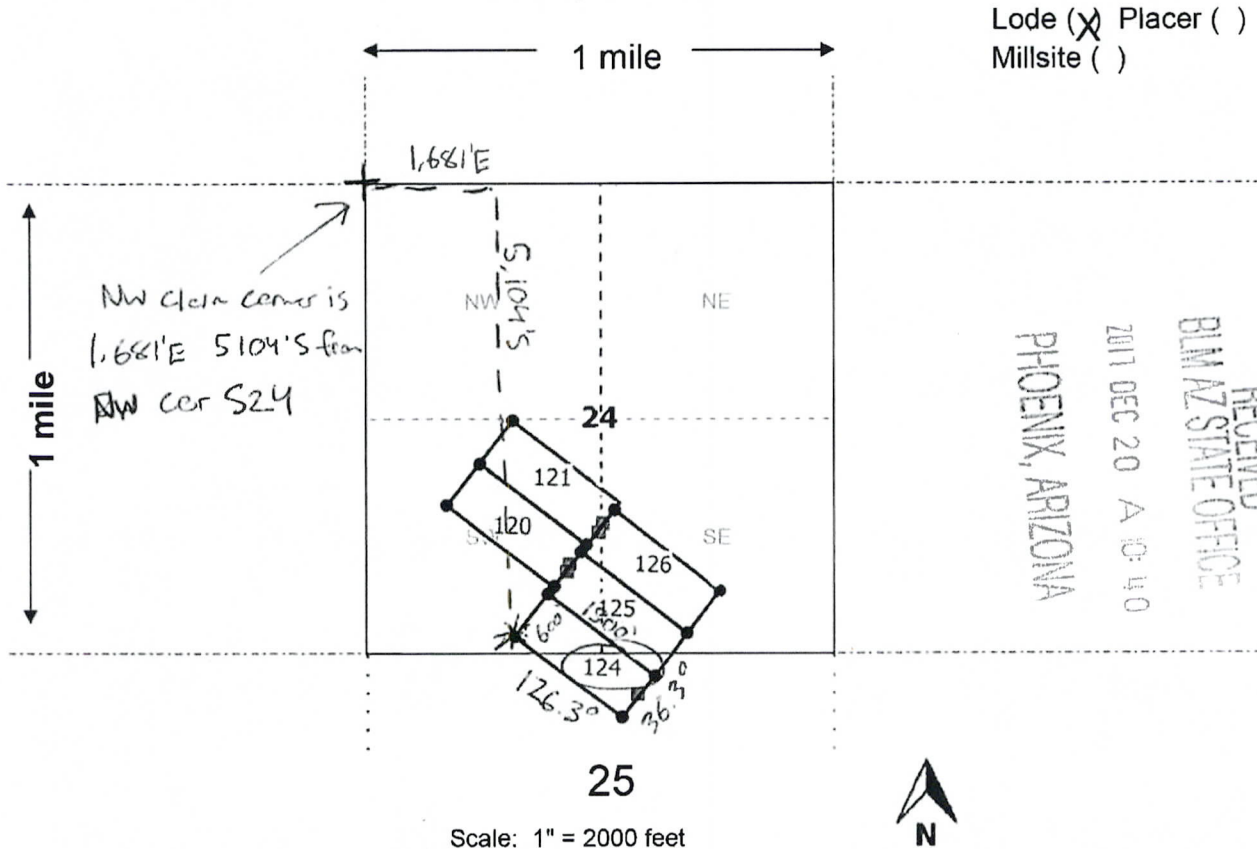
This instrument was signed and sworn to before me  
on 12/21/17 by Stuart Burgess  
(Name of signer)

\_\_\_\_\_  
(Notary Signature)  
[Affix seal/stamp to the left or below]



AMC448315

**MINING CLAIM MAP**



Lode (X) Placer ( )  
Millsite ( )

RECEIVED  
BIM AZ STATE OFFICE  
2011 DEC 20 A 10:40  
PHOENIX, ARIZONA

25

Scale: 1" = 2000 feet



1. The above map depicts the GRMC 124 mining claim, which is located in Section (s) 24, 25, Township 19 N, Range 20 W, Gila and Salt River Base and Meridian, Mohave County, Arizona. Total claim acreage is 20

2. The type of corner and location monuments used are as follows: 2"X2"X50" wooden posts with metal tags or rock monument

3. The bearings and distances in degrees and feet between claim corners and to a public land survey monument are as depicted on the map.

4. If the claim is a placer or millsite claim with exterior limits conforming to legal subdivisions of the public survey, provide a legal description of the claim \_\_\_\_\_

Form MCF100a  
Revised July 2014

This form is available from the Arizona Geology Survey and may be reproduced.

AMC 448315

Gold Road Mining Corp.  
Suite 450, 1090 West Georgia Street  
Vancouver, BC V6E 3V7 Canada

LOCATION NOTICE FOR LODE MINING CLAIM

Amendment BLM Serial # \_\_\_\_\_

NOTICE IS HEREBY GIVEN that the GRMC 124  
\_\_\_\_\_ lode mining claim has been located  
by Gold Road Mining Corp. whose current mailing  
address is Suite 450, 1090 West Georgia Street  
Vancouver, BC V6E 3V7 Canada

RECEIVED  
BLM AZ STATE OFFICE  
PHOENIX, ARIZONA  
2017 DEC 20 A 10:40  
BLM  
Date  
Stamp

The general course of this claim is Northwest-Southeast and it is situated in Mohave  
County, Arizona. This claim is 1500 feet in length and 600 feet in width.

20 Total Claim Acreage. This claim runs from the location monument on which this location notice  
is posted on the centerline of the claim approximately 20 feet in a SE direction to the SE  
end line and 1480 feet in a NW direction to the NW end line. This claim is marked by six  
monuments, one at each corner and one at the center of each end line of the claim.

The location monument on which this notice is posted is situated within Section 25, Township 19  
N, Range 20 W, Gila Salt River Base and Meridian, Arizona and this claim encompasses portions  
of the following quarter section(s), section(s), Township(s) and Range(s) \_\_\_\_\_  
SW1/4 and SE 1/4 Sec.24 and NW1/4 and NE1/4 Sec.25

Gila Salt River Base and Meridian, Arizona.

The locality of this claim with reference to some natural object or permanent monument and additional information  
(if any) concerning its locality are as follows: \_\_\_\_\_

NW claim corner is 1,681'E 5,104'S from NW corner of Sec.24 T19N R20W

\_\_\_\_\_ The above information is shown on the attached map.

DATED AND POSTED on the ground this 30th day of November, 2017.

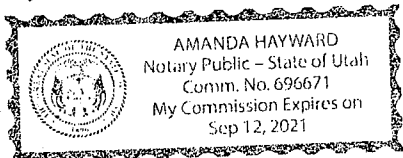
LOCATOR(s)  AGENT

Print Name(s) Stuart Burgess

Signature(s) \_\_\_\_\_

State of Utah  
County of Salt Lake

This instrument was signed and sworn to before me  
on 12/2/17 by Stuart Burgess  
(Name of signer)

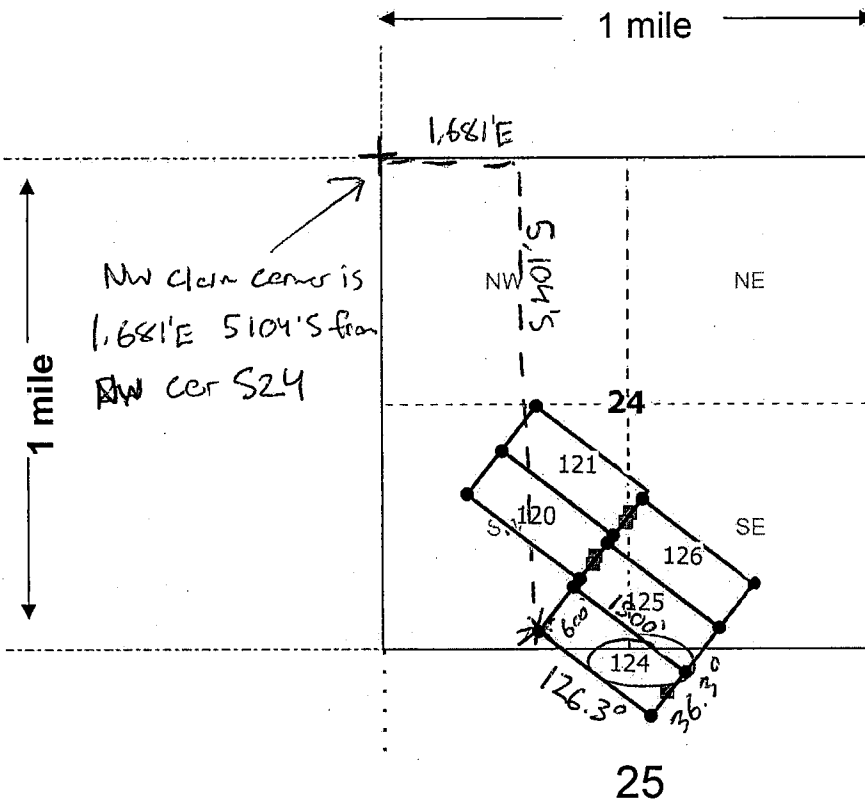


\_\_\_\_\_  
(Notary Signature)  
[Affix seal/stamp to the left or below]

AMC448315

**MINING CLAIM MAP**

Lode (X) Placer ( )  
Millsite ( )



RECEIVED  
BLM AZ STATE OFFICE  
2011 DEC 20 A 10:40  
PHOENIX, ARIZONA

Scale: 1" = 2000 feet



1. The above map depicts the GRMC 124 mining claim, which is located in Section (s) 24,25, Township 19 N, Range 20 W, Gila and Salt River Base and Meridian, Mohave County, Arizona. Total claim acreage is 20

2. The type of corner and location monuments used are as follows: 2"X2"X50" wooden posts with metal tags or rock monument

3. The bearings and distances in degrees and feet between claim corners and to a public land survey monument are as depicted on the map.

4. If the claim is a placer or millsite claim with exterior limits conforming to legal subdivisions of the public survey, provide a legal description of the claim \_\_\_\_\_

Form MCF100a  
Revised July 2014

This form is available from the Arizona Geology Survey and may be reproduced.

AMC448315

2E

Gold Road Mining Corp.  
Suite 450, 1090 West Georgia Street  
Vancouver, BC V6E 3V7 Canada

WHEN RECORDED MAIL TO (MC):

FENNEMORE CRAIG  
2394 EAST CAMELBACK RD  
SUITE 600  
PHOENIX AZ 85016

FEE# 2017062304

OFFICIAL RECORDS  
OF MOHAVE COUNTY  
KRISTI BLAIR,  
COUNTY RECORDER



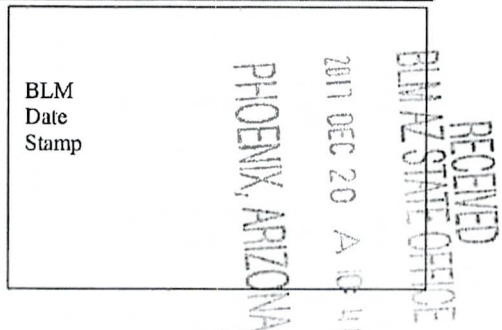
12/26/2017 02:27 PM Fee: \$10.00

PAGE: 1 of 2

LOCATION NOTICE FOR LODE MINING CLAIM

Amendment BLM Serial # \_\_\_\_\_

NOTICE IS HEREBY GIVEN that the GRMC 125  
\_\_\_\_\_ lode mining claim has been located  
by Gold Road Mining Corp. whose current mailing  
address is Suite 450, 1090 West Georgia Street  
Vancouver, BC V6E 3V7 Canada



The general course of this claim is Northwest-Southeast and it is situated in Mohave  
County, Arizona. This claim is 1500 feet in length and 600 feet in width.

20 Total Claim Acreage. This claim runs from the location monument on which this location notice  
is posted on the centerline of the claim approximately 20 feet in a NW direction to the NW  
end line and 1480 feet in a SE direction to the SE end line. This claim is marked by six  
monuments, one at each corner and one at the center of each end line of the claim.

The location monument on which this notice is posted is situated within Section 24, Township 19  
N, Range 20 W, Gila Salt River Base and Meridian, Arizona and this claim encompasses portions  
of the following quarter section(s), section(s), Township(s) and Range(s) \_\_\_\_\_  
SW1/4, SE1/4 Sec.24 and NE1/4 Sec.25 T19N R20W

Gila Salt River Base and Meridian, Arizona.

The locality of this claim with reference to some natural object or permanent monument and additional information  
(if any) concerning its locality are as follows: \_\_\_\_\_  
NW claim corner is 2,056'E 4,627'S from NW corner of Sec.24 T19N R20W

\_\_\_\_\_ The above information is shown on the attached map.

DATED AND POSTED on the ground this 30th day of November, 20 17.

LOCATOR(s)  AGENT

Print Name(s) Stuart Burgess

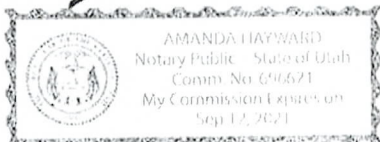
Signature(s) \_\_\_\_\_

State of Utah  
County of Salt Lake

This instrument was signed and sworn to before me  
on 12/21/17 by Stuart Burgess  
(Name of signer)

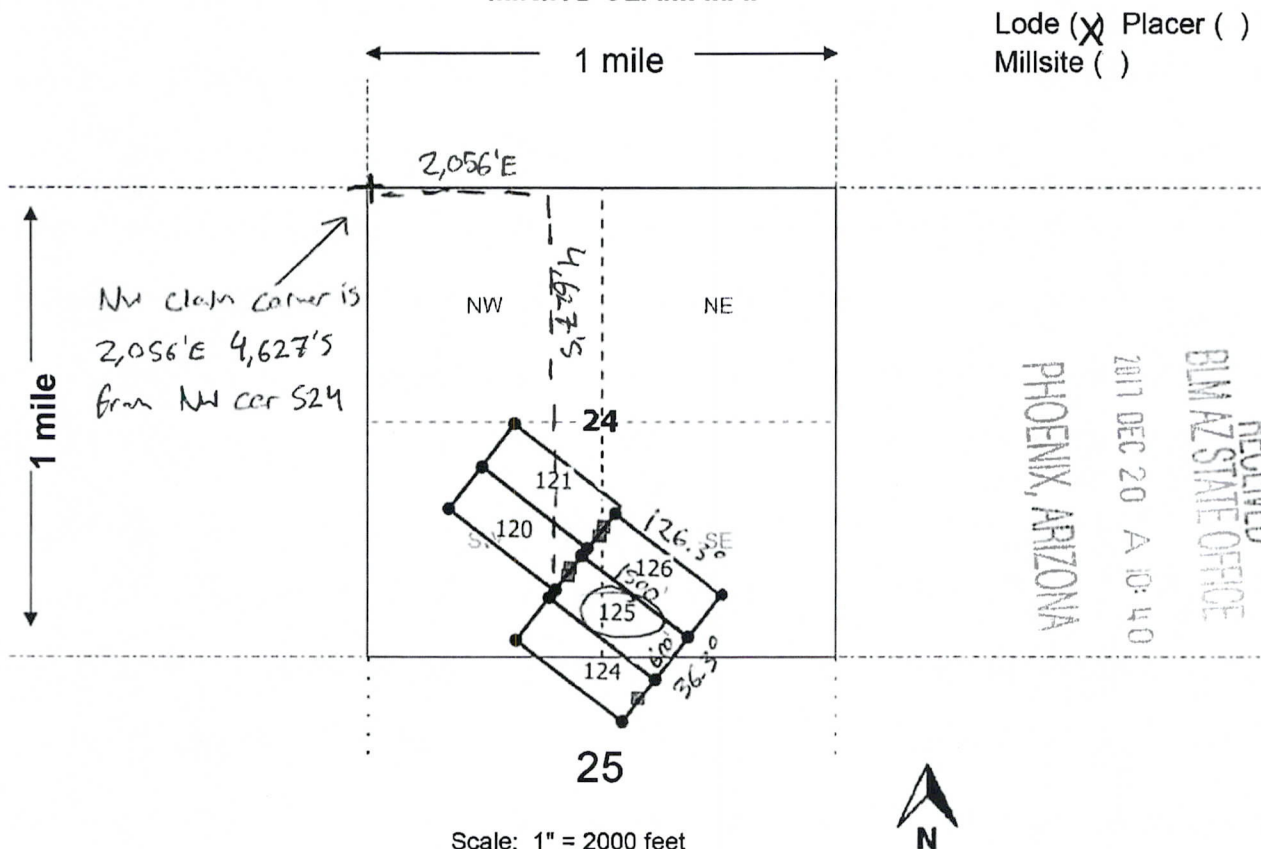
\_\_\_\_\_  
(Notary Signature)

[Affix seal/stamp to the left or below]



AMC448316

**MINING CLAIM MAP**



Scale: 1" = 2000 feet

1. The above map depicts the GRMC 125 mining claim, which is located in Section (s) 24, 25, Township 19 N, Range 20 W, Gila and Salt River Base and Meridian, Mohave County, Arizona. Total claim acreage is 20
2. The type of corner and location monuments used are as follows: 2"X2"X50" wooden posts with metal tags or rock monument
3. The bearings and distances in degrees and feet between claim corners and to a public land survey monument are as depicted on the map.
4. If the claim is a placer or millsite claim with exterior limits conforming to legal subdivisions of the public survey, provide a legal description of the claim \_\_\_\_\_

Form MCF100a  
Revised July 2014

This form is available from the Arizona Geology Survey and may be reproduced.

AMC 448316



Gold Road Mining Corp.  
Suite 450, 1090 West Georgia Street  
Vancouver, BC V6E 3V7 Canada

LOCATION NOTICE FOR LODE MINING CLAIM

Amendment BLM Serial # \_\_\_\_\_

NOTICE IS HEREBY GIVEN that the GRMC 125  
\_\_\_\_\_ lode mining claim has been located  
by Gold Road Mining Corp. whose current mailing  
address is Suite 450, 1090 West Georgia Street  
Vancouver, BC V6E 3V7 Canada

BLM  
Date  
Stamp

RECEIVED  
BLM AZ STATE OFFICE  
2011 DEC 20 AM 10:40  
PHOENIX, ARIZONA

The general course of this claim is Northwest-Southeast and it is situated in Mohave  
County, Arizona. This claim is 1500 feet in length and 600 feet in width.

20 Total Claim Acreage. This claim runs from the location monument on which this location notice  
is posted on the centerline of the claim approximately 20 feet in a NW direction to the NW  
end line and 1480 feet in a SE direction to the SE end line. This claim is marked by six  
monuments, one at each corner and one at the center of each end line of the claim.

The location monument on which this notice is posted is situated within Section 24, Township 19  
N, Range 20 W, Gila Salt River Base and Meridian, Arizona and this claim encompasses portions  
of the following quarter section(s), section(s), Township(s) and Range(s) \_\_\_\_\_

SW1/4, SE1/4 Sec.24 and NE1/4 Sec.25 T19N R20W  
Gila Salt River Base and Meridian, Arizona.

The locality of this claim with reference to some natural object or permanent monument and additional information  
(if any) concerning its locality are as follows: \_\_\_\_\_

NW claim corner is 2,056'E 4,627'S from NW corner of Sec.24 T19N R20W

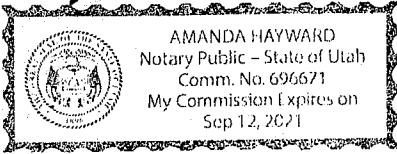
\_\_\_\_\_ The above information is shown on the attached map.

DATED AND POSTED on the ground this 30th day of November, 20 17.

LOCATOR(s)  AGENT  
Print Name(s) Stuart Burgess  
Signature(s) \_\_\_\_\_

State of Utah  
County of Salt Lake

This instrument was signed and sworn to before me  
on 12/2/17 by Stuart Burgess  
(Name of signer)

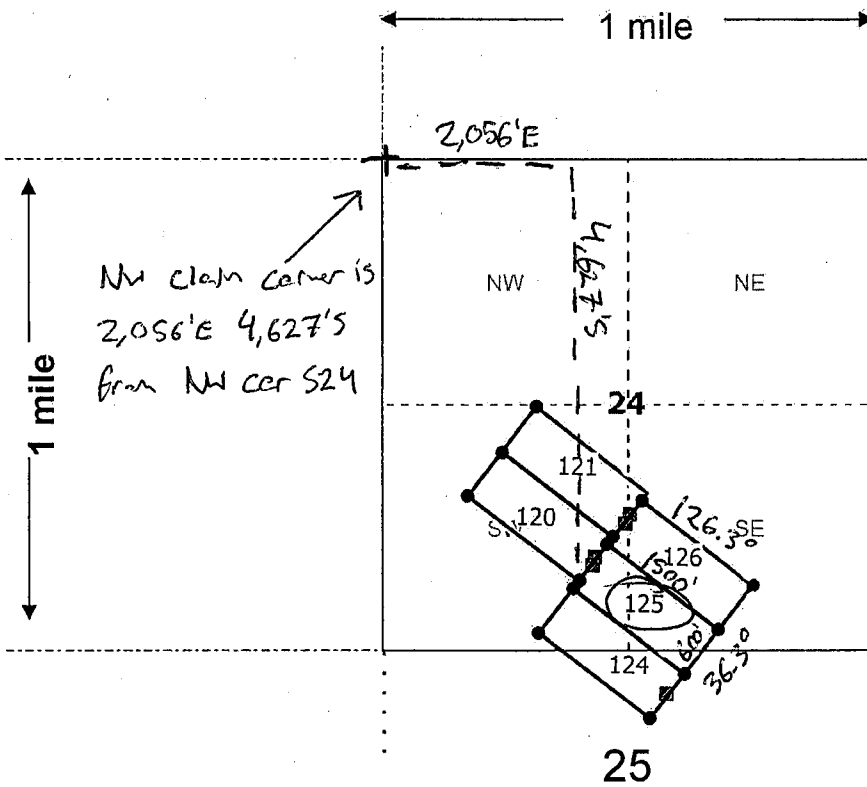


[Signature]  
(Notary Signature)  
[Affix seal/stamp to the left or below]

AMC 48316

**MINING CLAIM MAP**

Lode (X) Placer ( )  
Millsite ( )



RECEIVED  
 BLM AZ STATE OFFICE  
 PHOENIX, ARIZONA  
 2011 DEC 20 A 10:40

Scale: 1" = 2000 feet



1. The above map depicts the GRMC 125 mining claim, which is located in Section (s) 24, 25, Township 19 N, Range 20 W, Gila and Salt River Base and Meridian, Mohave County, Arizona. Total claim acreage is 20

2. The type of corner and location monuments used are as follows: 2"X2"X50" wooden posts with metal tags or rock monument

3. The bearings and distances in degrees and feet between claim corners and to a public land survey monument are as depicted on the map.

4. If the claim is a placer or millsite claim with exterior limits conforming to legal subdivisions of the public survey, provide a legal description of the claim \_\_\_\_\_

Form MCF100a  
Revised July 2014

This form is available from the Arizona Geology Survey and may be reproduced.

AMC 448316

2E

Gold Road Mining Corp.  
Suite 450, 1090 West Georgia Street  
Vancouver, BC V6E 3V7 Canada

WHEN RECORDED MAIL TO (MC):

FENNEMORE CRAIG  
2394 EAST CAMELBACK RD  
SUITE 600  
PHOENIX AZ 85016

**FEE# 2017062305**

OFFICIAL RECORDS  
OF MOHAVE COUNTY  
KRISTI BLAIR,  
COUNTY RECORDER



12/26/2017 02:27 PM Fee: \$10.00

PAGE: 1 of 2

**LOCATION NOTICE FOR LODE MINING CLAIM**

Amendment BLM Serial # \_\_\_\_\_

NOTICE IS HEREBY GIVEN that the GRMC 126  
\_\_\_\_\_ lode mining claim has been located  
by Gold Road Mining Corp. whose current mailing  
address is Suite 450, 1090 West Georgia Street  
Vancouver, BC V6E 3V7 Canada

RECEIVED  
PHOENIX, ARIZONA  
2017 DEC 20 A 10:40  
BLM AZ STATE OFFICE

BLM  
Date  
Stamp

The general course of this claim is Northwest-Southeast and it is situated in Mohave  
County, Arizona. This claim is 1500 feet in length and 600 feet in width.

20 Total Claim Acreage. This claim runs from the location monument on which this location notice  
is posted on the centerline of the claim approximately 20 feet in a NW direction to the NW  
end line and 1480 feet in a SE direction to the SE end line. This claim is marked by six  
monuments, one at each corner and one at the center of each end line of the claim.

The location monument on which this notice is posted is situated within Section 24, Township 19  
N, Range 20 W, Gila Salt River Base and Meridian, Arizona and this claim encompasses portions  
of the following quarter section(s), section(s), Township(s) and Range(s) \_\_\_\_\_  
SW1/4, SE1/4 Sec.24 T19N R20W

Gila Salt River Base and Meridian, Arizona.

The locality of this claim with reference to some natural object or permanent monument and additional information  
(if any) concerning its locality are as follows: \_\_\_\_\_

NW claim corner is 2,419'E 4,150'S from NW corner of Sec.24 T19N R20W

\_\_\_\_\_ The above information is shown on the attached map.

DATED AND POSTED on the ground this 30th day of November, 2017.

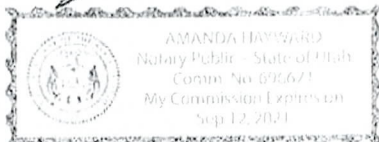
LOCATOR(s)  AGENT

Print Name(s) Stuart Burgess

Signature(s) \_\_\_\_\_

State of Utah  
County of Salt Lake

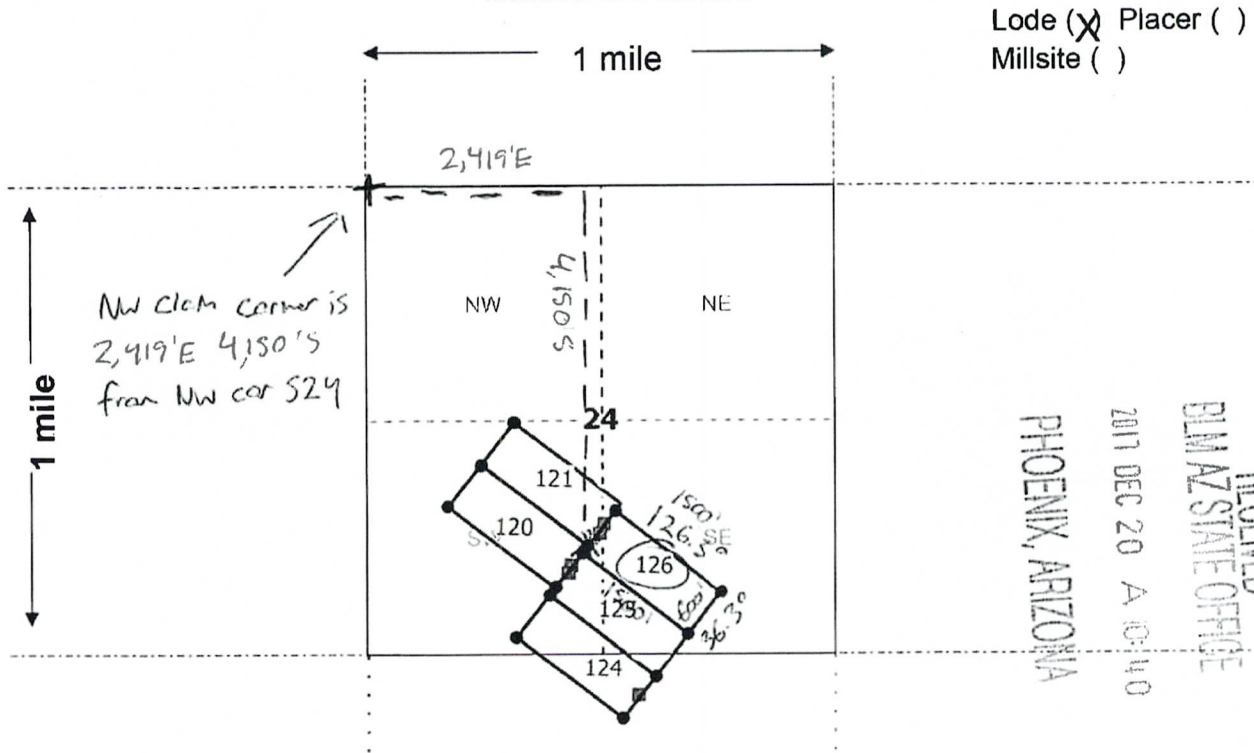
This instrument was signed and sworn to before me  
on 12/2/17 by Stuart Burgess  
(Name of signer)



\_\_\_\_\_  
(Notary Signature)  
[Affix seal/stamp to the left or below]

AMC448317

**MINING CLAIM MAP**



Scale: 1" = 2000 feet

- The above map depicts the GRMC 126 mining claim, which is located in Section (s) 24, Township 19 N, Range 20 W, Gila and Salt River Base and Meridian, Mohave County, Arizona. Total claim acreage is 20
- The type of corner and location monuments used are as follows: 2"X2"X50" wooden posts with metal tags or rock monument
- The bearings and distances in degrees and feet between claim corners and to a public land survey monument are as depicted on the map.
- If the claim is a placer or millsite claim with exterior limits conforming to legal subdivisions of the public survey, provide a legal description of the claim \_\_\_\_\_

**Form MCF100a**  
Revised July 2014

This form is available from the **Arizona Geology Survey** and may be reproduced.

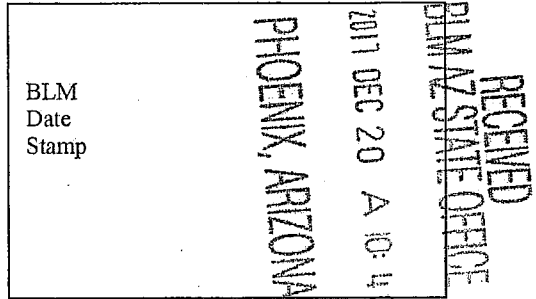
AMC448317

Gold Road Mining Corp.  
Suite 450, 1090 West Georgia Street  
Vancouver, BC V6E 3V7 Canada

LOCATION NOTICE FOR LODE MINING CLAIM

Amendment BLM Serial # \_\_\_\_\_

NOTICE IS HEREBY GIVEN that the GRMC 126  
\_\_\_\_\_ lode mining claim has been located  
by Gold Road Mining Corp whose current mailing  
address is Suite 450, 1090 West Georgia Street  
Vancouver, BC V6E 3V7 Canada



The general course of this claim is Northwest-Southeast and it is situated in Mohave  
County, Arizona. This claim is 1500 feet in length and 600 feet in width.

20 Total Claim Acreage. This claim runs from the location monument on which this location notice  
is posted on the centerline of the claim approximately 20 feet in a NW direction to the NW  
end line and 1480 feet in a SE direction to the SE end line. This claim is marked by six  
monuments, one at each corner and one at the center of each end line of the claim.

The location monument on which this notice is posted is situated within Section 24, Township 19  
N, Range 20 W, Gila Salt River Base and Meridian, Arizona and this claim encompasses portions  
of the following quarter section(s), section(s), Township(s) and Range(s) \_\_\_\_\_

SW1/4, SE1/4 Sec.24 T19N R20W  
Gila Salt River Base and Meridian, Arizona.

The locality of this claim with reference to some natural object or permanent monument and additional information  
(if any) concerning its locality are as follows: \_\_\_\_\_

NW claim corner is 2,419'E 4,150'S from NW corner of Sec.24 T19N R20W

\_\_\_\_\_ The above information is shown on the attached map.

DATED AND POSTED on the ground this 30th day of November, 2017.

LOCATOR(s)  AGENT

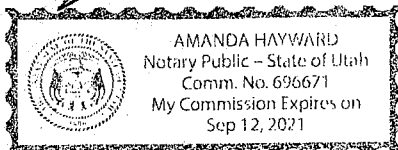
Print Name(s) Stuart Burgess

Signature(s) \_\_\_\_\_

State of Utah  
County of Salt Lake

This instrument was signed and sworn to before me  
on 12/2/17 by Stuart Burgess  
(Name of signer)

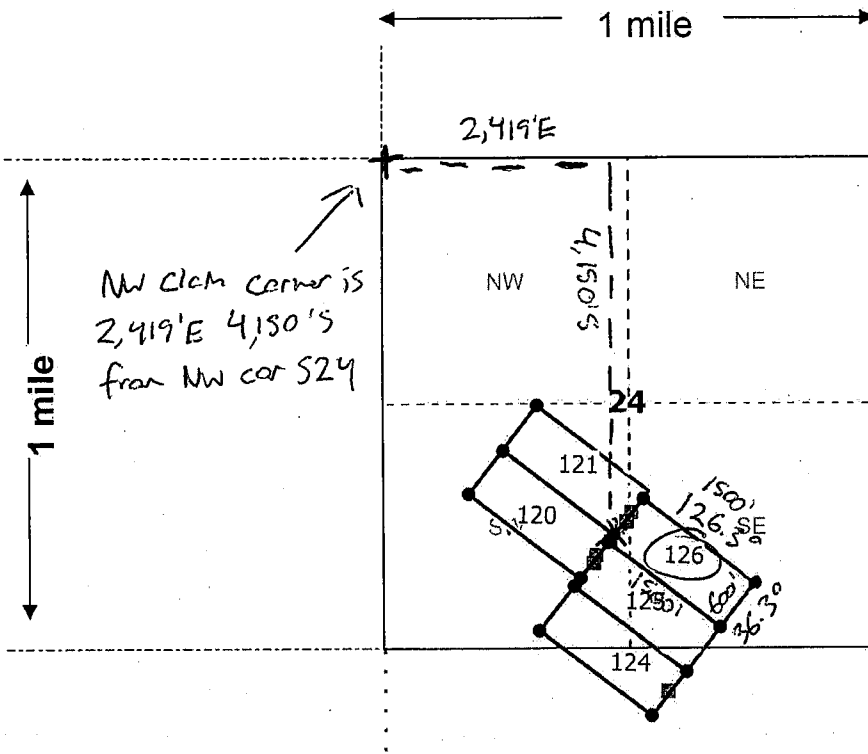
AMH  
(Notary Signature)  
[Affix seal/stamp to the left or below]



AMC 448317

**MINING CLAIM MAP**

Lode (X) Placer ( )  
Millsite ( )



RECEIVED  
 BLM AZ STATE OFFICE  
 2011 DEC 20 A 10:40  
 PHOENIX, ARIZONA

Scale: 1" = 2000 feet



- The above map depicts the GRMC 126 mining claim, which is located in Section (s) 24, Township 19 N, Range 20 W, Gila and Salt River Base and Meridian, Mohave County, Arizona. Total claim acreage is 20
- The type of corner and location monuments used are as follows: 2"X2"X50" wooden posts with metal tags or rock monument
- The bearings and distances in degrees and feet between claim corners and to a public land survey monument are as depicted on the map.
- If the claim is a placer or millsite claim with exterior limits conforming to legal subdivisions of the public survey, provide a legal description of the claim \_\_\_\_\_

AM0448317

Form MCF100a  
Revised July 2014

2E

Gold Road Mining Corp.  
Suite 450, 1090 West Georgia Street  
Vancouver, BC V6E 3V7 Canada

WHEN RECORDED MAIL TO (MC):

FENNEMORE CRAIG  
2394 EAST CAMELBACK RD  
SUITE 600  
PHOENIX AZ 85016

**FEE# 2017062306**

OFFICIAL RECORDS  
OF MOHAVE COUNTY  
KRISTI BLAIR,  
COUNTY RECORDER



12/26/2017 02:27 PM Fee: \$10.00

PAGE: 1 of 2

**LOCATION NOTICE FOR LODE MINING CLAIM**

Amendment BLM Serial # \_\_\_\_\_

NOTICE IS HEREBY GIVEN that the GRMC 127  
\_\_\_\_\_ lode mining claim has been located  
by Gold Road Mining Corp. whose current mailing  
address is Suite 450, 1090 West Georgia Street  
Vancouver, BC V6E 3V7 Canada

RECEIVED  
BLM AZ STATE OFFICE  
2017 DEC 20 A 10:39  
PHOENIX, ARIZONA  
BLM  
Date  
Stamp

The general course of this claim is Northwest-Southeast and it is situated in Mohave  
County, Arizona. This claim is 1500 feet in length and 600 feet in width.

20 Total Claim Acreage. This claim runs from the location monument on which this location notice  
is posted on the centerline of the claim approximately 20 feet in a NW direction to the NW  
end line and 1480 feet in a SE direction to the SE end line. This claim is marked by six  
monuments, one at each corner and one at the center of each end line of the claim.

The location monument on which this notice is posted is situated within Section 25, Township 19  
N, Range 20 W, Gila Salt River Base and Meridian, Arizona and this claim encompasses portions  
of the following quarter section(s), section(s), Township(s) and Range(s) \_\_\_\_\_  
NW1/4 Sec.25 T19N R20W

Gila Salt River Base and Meridian, Arizona.

The locality of this claim with reference to some natural object or permanent monument and additional information  
(if any) concerning its locality are as follows: \_\_\_\_\_

NW claim corner is 4,552'W 1,450'S from NE corner of Sec.25 T19N R20W

\_\_\_\_\_ The above information is shown on the attached map.

DATED AND POSTED on the ground this 30th day of November, 20 17.

LOCATOR(s)  AGENT

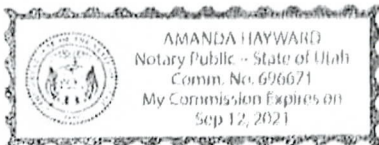
Print Name(s) Stuart Burgess

Signature(s) \_\_\_\_\_

State of Utah  
County of Salt Lake

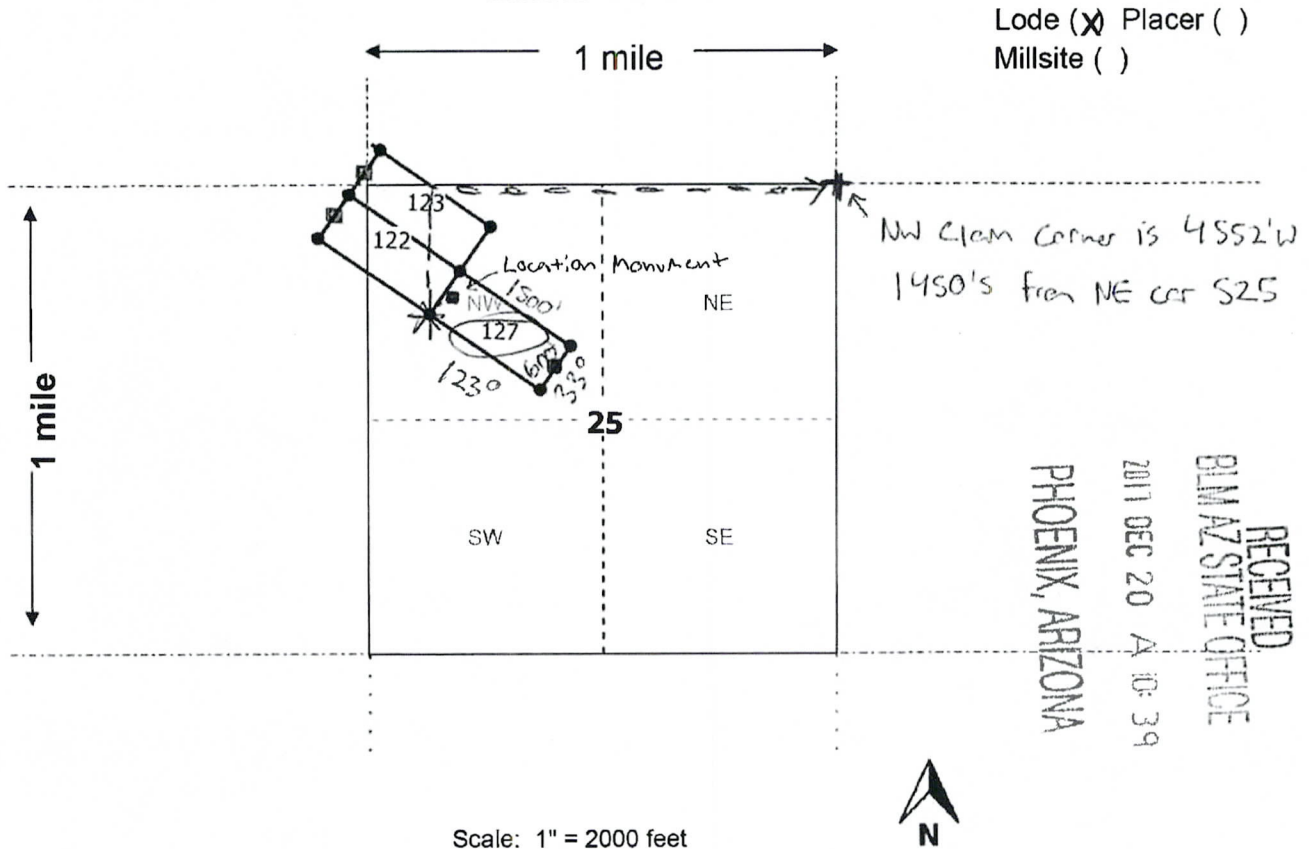
This instrument was signed and sworn to before me  
on 12/2/17 by Stuart Burgess  
(Name of signer)

\_\_\_\_\_  
(Notary Signature)  
[Affix seal/stamp to the left or below]



AMC448318

**MINING CLAIM MAP**



Lode (X) Placer ( )  
Millsite ( )

NW Claim Corner is 4552'W  
1450's from NE cor S25

RECEIVED  
BLM AZ STATE OFFICE  
2011 DEC 20 A 10:39  
PHOENIX, ARIZONA

Scale: 1" = 2000 feet

1. The above map depicts the GRMC 127 mining claim, which is located in Section (s) 25, Township 19 N, Range 20 W, Gila and Salt River Base and Meridian, Mohave County, Arizona. Total claim acreage is 20

2. The type of corner and location monuments used are as follows: 2"X2"X50" wooden posts with metal tags or rock monument

3. The bearings and distances in degrees and feet between claim corners and to a public land survey monument are as depicted on the map.

4. If the claim is a placer or millsite claim with exterior limits conforming to legal subdivisions of the public survey, provide a legal description of the claim \_\_\_\_\_

Form MCF100a  
Revised July 2014

This form is available from the Arizona Geology Survey and may be reproduced.

AMC448318



Gold Road Mining Corp.  
Suite 450, 1090 West Georgia Street  
Vancouver, BC V6E 3V7 Canada

LOCATION NOTICE FOR LODE MINING CLAIM

Amendment BLM Serial # \_\_\_\_\_

NOTICE IS HEREBY GIVEN that the GRMC 127  
\_\_\_\_\_ lode mining claim has been located  
by Gold Road Mining Corp. whose current mailing  
address is Suite 450, 1090 West Georgia Street  
Vancouver, BC V6E 3V7 Canada

BLM  
Date  
Stamp  
2011 DEC 20 A 10:39  
PHOENIX, ARIZONA  
RECEIVED  
BLM AZ STATE OFFICE

The general course of this claim is Northwest-Southeast and it is situated in Mohave  
County, Arizona. This claim is 1500 feet in length and 600 feet in width.

20 Total Claim Acreage. This claim runs from the location monument on which this location notice  
is posted on the centerline of the claim approximately 20 feet in a NW direction to the NW  
end line and 1480 feet in a SE direction to the SE end line. This claim is marked by six  
monuments, one at each corner and one at the center of each end line of the claim.

The location monument on which this notice is posted is situated within Section 25, Township 19  
N, Range 20 W, Gila Salt River Base and Meridian, Arizona and this claim encompasses portions  
of the following quarter section(s), section(s), Township(s) and Range(s) \_\_\_\_\_  
NW1/4 Sec.25 T19N R20W

Gila Salt River Base and Meridian, Arizona.

The locality of this claim with reference to some natural object or permanent monument and additional information  
(if any) concerning its locality are as follows: \_\_\_\_\_

NW claim corner is 4,552'W 1,450'S from NE corner of Sec.25 T19N R20W

\_\_\_\_\_ The above information is shown on the attached map.

DATED AND POSTED on the ground this 30<sup>th</sup> day of November, 20 17.

LOCATOR(s)  AGENT

Print Name(s) Stuart Burgess

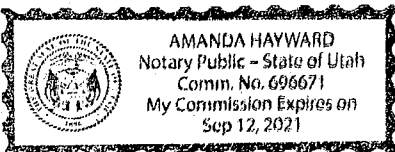
Signature(s) \_\_\_\_\_

State of Utah  
County of Salt Lake

This instrument was signed and sworn to before me  
on 12/2/17 by Stuart Burgess  
(Name of signer)

AMH

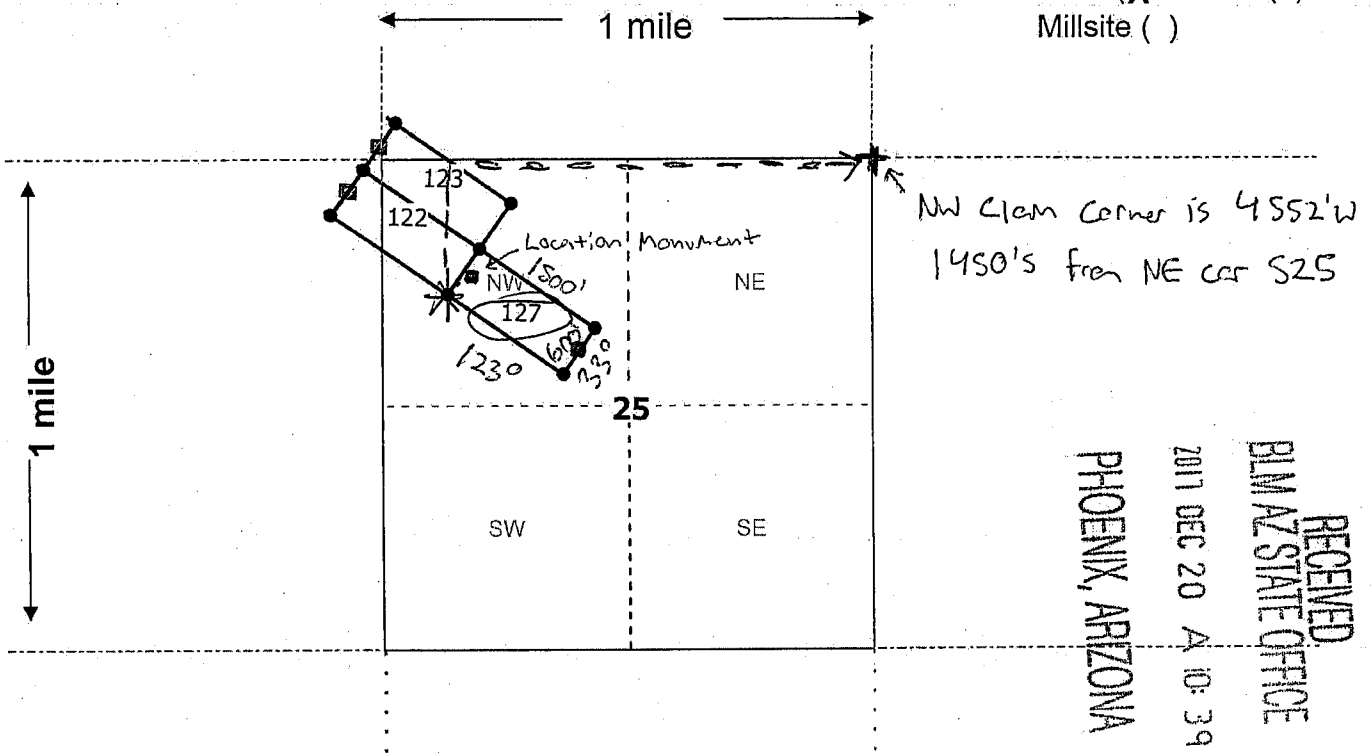
(Notary Signature)  
[Affix seal/stamp to the left or below]



AMC448318

**MINING CLAIM MAP**

Lode (X) Placer ( )  
 Millsite ( )



RECEIVED  
 BLM AZ STATE OFFICE  
 2011 DEC 20 A 10:39  
 PHOENIX, ARIZONA

Scale: 1" = 2000 feet



1. The above map depicts the GRMC 127 mining claim, which is located in Section (s) 25, Township 19 N, Range 20 W, Gila and Salt River Base and Meridian, Mohave County, Arizona. Total claim acreage is 20
2. The type of corner and location monuments used are as follows: 2"X2"X50" wooden posts with metal tags or rock monument
3. The bearings and distances in degrees and feet between claim corners and to a public land survey monument are as depicted on the map.
4. If the claim is a placer or millsite claim with exterior limits conforming to legal subdivisions of the public survey, provide a legal description of the claim \_\_\_\_\_

AMC 448318

Form MCF100a  
 Revised July 2014

DEPARTMENT OF INTERIOR  
BUREAU OF LAND MANAGEMENT

Input Parameters for Geographic Report with Land

System Id = CR

Admin State = AZ

Geo State =

Casetype Begins With

Case Disp Txt = AUTHORIZED, CANCELLED, EXPIRED, PENDING, REJECTED, VOID, WITHDRAWN

Mer Twp Rng =

Section =

Mtrs = 14 0190N 0190W 018, 14 0190N 0190W 999, 14 0190N 0200W 002, 14 0190N 0200W 003, 14 0190N 0200W 004, 14 0190N 0200W 009, 14 0190N 0200W 010, 14 0190N 0200W 011, 14 0190N 0200W 012, 14 0190N 0200W 013, 14 0190N 0200W 014, 14 0190N 0200W 015, 14 0190N 0200W 016, 14 0190N 0200W 022, 14 0190N 0200W 023, 14 0190N 0200W 024, 14 0190N 0200W 025, 14 0190N 0200W 026, 14 0190N 0200W 999

Commodity =

Commodity Txt =

Pending Org =

Pend Org Decode =

Total Rows Returned: 143

RUN TIME: 10:42 AM

UNITED STATES DEPARTMENT OF INTERIOR  
BUREAU OF LAND MANAGEMENT  
GEOGRAPHIC REPORT WITH LAND  
Sorted by Serial Number

RUN DATE: 01/03/2018  
Page 1 of 13

Adm State: AZ

Serial Number: AZA 002911  
Total Case Acres: 4.630

| <u>Casetype</u> | <u>Case Disp</u> | 14 | 0190N | 0200W | <u>Sect</u> | <u>Sur Typ</u> | <u>Sur Num</u> | <u>Suff</u> | <u>Subdivision</u>        | <u>Act Pend</u> |
|-----------------|------------------|----|-------|-------|-------------|----------------|----------------|-------------|---------------------------|-----------------|
| 286001          | AUTHORIZED       |    |       |       | 012         | MNR            |                |             | W2SWSW,SESWSW;            |                 |
|                 |                  |    |       |       | 013         | MNR            |                |             | W2NWNW,S2NWSWNW,N2SWSWNW; |                 |
|                 |                  |    |       |       | 014         | ALIQ           |                |             | SENE;                     |                 |

Serial Number: AZA 004423  
Total Case Acres: 1.830

| <u>Casetype</u> | <u>Case Disp</u> | 14 | 0190N | 0200W | <u>Sect</u> | <u>Sur Typ</u> | <u>Sur Num</u> | <u>Suff</u> | <u>Subdivision</u> | <u>Act Pend</u> |
|-----------------|------------------|----|-------|-------|-------------|----------------|----------------|-------------|--------------------|-----------------|
| 288100          | AUTHORIZED       |    |       |       | 010         | ALIQ           |                |             | SESW;              |                 |

Serial Number: AZA 004549  
Total Case Acres: 0.460

| <u>Casetype</u> | <u>Case Disp</u> | 14 | 0190N | 0200W | <u>Sect</u> | <u>Sur Typ</u> | <u>Sur Num</u> | <u>Suff</u> | <u>Subdivision</u>      | <u>Act Pend</u> |
|-----------------|------------------|----|-------|-------|-------------|----------------|----------------|-------------|-------------------------|-----------------|
| 285002          | AUTHORIZED       |    |       |       | 010         | MNR            |                | 1           | SENESEW,NESESEW,SWNWSE; |                 |
|                 |                  |    |       |       |             | MNR            |                | 2           | NWSWSE;                 |                 |

Serial Number: AZA 007788  
Total Case Acres: 4.490

| <u>Casetype</u> | <u>Case Disp</u> | 14 | 0190N | 0200W | <u>Sect</u> | <u>Sur Typ</u> | <u>Sur Num</u> | <u>Suff</u> | <u>Subdivision</u>        | <u>Act Pend</u> |
|-----------------|------------------|----|-------|-------|-------------|----------------|----------------|-------------|---------------------------|-----------------|
| 286001          | AUTHORIZED       |    |       |       | 012         | MNR            |                |             | W2SWSW,SESWSW;            |                 |
|                 |                  |    |       |       | 013         | MNR            |                |             | W2NWNW,S2NWSWNW,N2SWSWNW; |                 |
|                 |                  |    |       |       | 014         | ALIQ           |                |             | SENE;                     |                 |

Serial Number: AZA 014911  
Total Case Acres: 64.680

| <u>Casetype</u> | <u>Case Disp</u> | 14 | 0190N | 0200W | <u>Sect</u> | <u>Sur Typ</u> | <u>Sur Num</u> | <u>Suff</u> | <u>Subdivision</u>     | <u>Act Pend</u> |
|-----------------|------------------|----|-------|-------|-------------|----------------|----------------|-------------|------------------------|-----------------|
| 285003          | AUTHORIZED       |    |       |       | 010         | ALIQ           |                |             | SENE;                  |                 |
|                 |                  |    |       |       |             | FF             |                |             | NE & SW EXCEPT PAT MC; |                 |

RUN TIME: 10:42 AM

UNITED STATES DEPARTMENT OF INTERIOR  
BUREAU OF LAND MANAGEMENT  
GEOGRAPHIC REPORT WITH LAND  
Sorted by Serial Number

RUN DATE: 01/03/2018  
Page 2 of 13

Adm State: AZ

|     |      |           |
|-----|------|-----------|
| 011 | LOTS | 1,2,3;    |
|     | MNR  | SWNWSENE; |
| 012 | ALIQ | E2SE;     |
|     | LOTS | 3,4,9,11; |
| 015 | ALIQ | W2SW;     |
|     | LOTS | 10;       |
| 022 | LOTS | 1,8,17;   |

Serial Number: AZA 016120  
Total Case Acres: 4.010

| <u>Casetype</u> | <u>Case Disp</u> | 14 | 0190N | 0200W | <u>Sect</u> | <u>Sur Typ</u> | <u>Sur Num</u> | <u>Suff</u> | <u>Subdivision</u>    | <u>Act Pend</u> |
|-----------------|------------------|----|-------|-------|-------------|----------------|----------------|-------------|-----------------------|-----------------|
| 286203          | AUTHORIZED       |    |       |       | 022         | FF             | 1              |             | LOT 11 LESS PATENTED; |                 |
|                 |                  |    |       |       |             | FF             | 2              |             | MINING CLAIMS;        |                 |

Serial Number: AZA 017343  
Total Case Acres: 4.640

| <u>Casetype</u> | <u>Case Disp</u> | 14 | 0190N | 0190W | <u>Sect</u> | <u>Sur Typ</u> | <u>Sur Num</u> | <u>Suff</u> | <u>Subdivision</u> | <u>Act Pend</u> |
|-----------------|------------------|----|-------|-------|-------------|----------------|----------------|-------------|--------------------|-----------------|
| 286203          | AUTHORIZED       |    |       |       | 018         | LOTS           |                |             | 2;                 |                 |

Serial Number: AZA 018409  
Total Case Acres: 0.210

| <u>Casetype</u> | <u>Case Disp</u> | 14 | 0190N | 0190W | <u>Sect</u> | <u>Sur Typ</u> | <u>Sur Num</u> | <u>Suff</u> | <u>Subdivision</u> | <u>Act Pend</u> |
|-----------------|------------------|----|-------|-------|-------------|----------------|----------------|-------------|--------------------|-----------------|
| 285003          | AUTHORIZED       |    |       |       | 018         | LOTS           |                |             | 2;                 |                 |

Serial Number: AZA 018928  
Total Case Acres: 2.507

| <u>Casetype</u> | <u>Case Disp</u> | 14 | 0190N | 0200W | <u>Sect</u> | <u>Sur Typ</u> | <u>Sur Num</u> | <u>Suff</u> | <u>Subdivision</u> | <u>Act Pend</u> |
|-----------------|------------------|----|-------|-------|-------------|----------------|----------------|-------------|--------------------|-----------------|
| 285003          | AUTHORIZED       |    |       |       | 011         | ALIQ           |                |             | SENE;              |                 |
|                 |                  |    |       |       |             | LOTS           |                |             | 4;                 |                 |
|                 |                  |    |       |       | 012         | ALIQ           |                |             | SW;                |                 |
|                 |                  |    |       |       |             | LOTS           |                |             | 12;                |                 |
|                 |                  |    |       |       | 013         | LOTS           |                |             | 1,2;               |                 |

RUN TIME: 10:42 AM

UNITED STATES DEPARTMENT OF INTERIOR  
BUREAU OF LAND MANAGEMENT  
GEOGRAPHIC REPORT WITH LAND  
Sorted by Serial Number

RUN DATE: 01/03/2018  
Page 3 of 13

Adm State: AZ

014 ALIQ SENE;

Serial Number: AZA 020295  
Total Case Acres: 0.620

| <u>Casetype</u> | <u>Case Disp</u> | 14 | 0190N | 0200W | <u>Sect</u> | <u>Sur Typ</u> | <u>Sur Num</u> | <u>Suff</u> | <u>Subdivision</u> | <u>Act Pend</u> |
|-----------------|------------------|----|-------|-------|-------------|----------------|----------------|-------------|--------------------|-----------------|
| 272000          | AUTHORIZED       |    |       |       | 023         | LOTS           |                |             | 11;                |                 |

Serial Number: AZA 020296  
Total Case Acres: 2.130

| <u>Casetype</u> | <u>Case Disp</u> | 14 | 0190N | 0200W | <u>Sect</u> | <u>Sur Typ</u> | <u>Sur Num</u> | <u>Suff</u> | <u>Subdivision</u> | <u>Act Pend</u> |
|-----------------|------------------|----|-------|-------|-------------|----------------|----------------|-------------|--------------------|-----------------|
| 272000          | AUTHORIZED       |    |       |       | 023         | LOTS           |                |             | 12,13;             |                 |

Serial Number: AZA 020297  
Total Case Acres: 0.710

| <u>Casetype</u> | <u>Case Disp</u> | 14 | 0190N | 0200W | <u>Sect</u> | <u>Sur Typ</u> | <u>Sur Num</u> | <u>Suff</u> | <u>Subdivision</u> | <u>Act Pend</u> |
|-----------------|------------------|----|-------|-------|-------------|----------------|----------------|-------------|--------------------|-----------------|
| 272000          | AUTHORIZED       |    |       |       | 023         | LOTS           |                |             | 14;                |                 |

Serial Number: AZA 020298  
Total Case Acres: 0.600

| <u>Casetype</u> | <u>Case Disp</u> | 14 | 0190N | 0200W | <u>Sect</u> | <u>Sur Typ</u> | <u>Sur Num</u> | <u>Suff</u> | <u>Subdivision</u> | <u>Act Pend</u> |
|-----------------|------------------|----|-------|-------|-------------|----------------|----------------|-------------|--------------------|-----------------|
| 272000          | AUTHORIZED       |    |       |       | 023         | LOTS           |                |             | 16;                |                 |

Serial Number: AZA 020299  
Total Case Acres: 0.900

| <u>Casetype</u> | <u>Case Disp</u> | 14 | 0190N | 0200W | <u>Sect</u> | <u>Sur Typ</u> | <u>Sur Num</u> | <u>Suff</u> | <u>Subdivision</u> | <u>Act Pend</u> |
|-----------------|------------------|----|-------|-------|-------------|----------------|----------------|-------------|--------------------|-----------------|
| 272000          | AUTHORIZED       |    |       |       | 023         | LOTS           |                |             | 17;                |                 |

RUN TIME: 10:42 AM

UNITED STATES DEPARTMENT OF INTERIOR  
BUREAU OF LAND MANAGEMENT  
GEOGRAPHIC REPORT WITH LAND  
Sorted by Serial Number

RUN DATE: 01/03/2018  
Page 4 of 13

Adm State: AZ

Serial Number: AZA 020300  
Total Case Acres: 0.410

| <u>Casetype</u> | <u>Case Disp</u> | 14 | 0190N | 0200W | <u>Sect</u> | <u>Sur Typ</u> | <u>Sur Num</u> | <u>Suff</u> | <u>Subdivision</u> | <u>Act Pend</u> |
|-----------------|------------------|----|-------|-------|-------------|----------------|----------------|-------------|--------------------|-----------------|
| 272000          | AUTHORIZED       |    |       |       | 014         | LOTS           |                |             | 12;                |                 |

Serial Number: AZA 020912  
Total Case Acres: 78.880

| <u>Casetype</u> | <u>Case Disp</u> | 14 | 0190N | 0200W | <u>Sect</u> | <u>Sur Typ</u> | <u>Sur Num</u> | <u>Suff</u> | <u>Subdivision</u> | <u>Act Pend</u> |
|-----------------|------------------|----|-------|-------|-------------|----------------|----------------|-------------|--------------------|-----------------|
| 281001          | AUTHORIZED       |    |       |       | 003         | ALIQ           |                |             | SWSW;              |                 |
|                 |                  |    |       |       | 004         | FF             |                | 1           | S2;                |                 |
|                 |                  |    |       |       | 010         | ALIQ           |                |             | W2,SWSE;           |                 |
|                 |                  |    |       |       | 015         | LOTS           |                |             | 6,7;               |                 |

Serial Number: AZA 021021  
Total Case Acres: 283.250

| <u>Casetype</u> | <u>Case Disp</u> | 14 | 0190N | 0190W | <u>Sect</u> | <u>Sur Typ</u> | <u>Sur Num</u> | <u>Suff</u> | <u>Subdivision</u> | <u>Act Pend</u> |
|-----------------|------------------|----|-------|-------|-------------|----------------|----------------|-------------|--------------------|-----------------|
| 281001          | AUTHORIZED       |    |       |       | 018         | ALIQ           |                |             | NWNE,NENW;         |                 |
|                 |                  |    |       |       |             | LOTS           |                |             | 1,2,3;             |                 |

Serial Number: AZA 021021  
Total Case Acres: 283.250

| <u>Casetype</u> | <u>Case Disp</u> | 14 | 0190N | 0200W | <u>Sect</u> | <u>Sur Typ</u> | <u>Sur Num</u> | <u>Suff</u> | <u>Subdivision</u>     | <u>Act Pend</u> |
|-----------------|------------------|----|-------|-------|-------------|----------------|----------------|-------------|------------------------|-----------------|
| 281001          | AUTHORIZED       |    |       |       | 010         | FF             |                | 1           | E2SWSE EXCEPT MS 3408; |                 |
|                 |                  |    |       |       |             | LOTS           |                |             | 4;                     |                 |
|                 |                  |    |       |       | 011         | LOTS           |                |             | 4,5,6,8;               |                 |
|                 |                  |    |       |       | 012         | ALIQ           |                |             | N2SW;                  |                 |
|                 |                  |    |       |       |             | MNR            |                | 1           | N2SWSE,SESWSE;         |                 |
|                 |                  |    |       |       | 013         | ALIQ           |                |             | N2NE;                  |                 |
|                 |                  |    |       |       | 015         | FF             |                | 1           | W2NE;                  |                 |
|                 |                  |    |       |       | 022         | LOTS           |                |             | 13,14;                 |                 |
|                 |                  |    |       |       | 023         | LOTS           |                |             | 7,10,11,12,15,17;      |                 |

RUN TIME: 10:42 AM

UNITED STATES DEPARTMENT OF INTERIOR  
BUREAU OF LAND MANAGEMENT  
GEOGRAPHIC REPORT WITH LAND  
Sorted by Serial Number

RUN DATE: 01/03/2018  
Page 5 of 13

Adm State: AZ

Serial Number: AZA 021057  
Total Case Acres: 0.330

| <u>Casetype</u> | <u>Case Disp</u> | 14 | 0190N | 0200W | <u>Sect</u> | <u>Sur Typ</u> | <u>Sur Num</u> | <u>Suff</u> | <u>Subdivision</u> | <u>Act Pend</u> |
|-----------------|------------------|----|-------|-------|-------------|----------------|----------------|-------------|--------------------|-----------------|
| 281007          | AUTHORIZED       |    |       |       | 014         | LOTS           |                |             | 12;                |                 |
|                 |                  |    |       |       | 023         | LOTS           |                |             | 11,12,13,14,16;    |                 |

Serial Number: AZA 022110  
Total Case Acres: 4.690

| <u>Casetype</u> | <u>Case Disp</u> | 14 | 0190N | 0200W | <u>Sect</u> | <u>Sur Typ</u> | <u>Sur Num</u> | <u>Suff</u> | <u>Subdivision</u>    | <u>Act Pend</u> |
|-----------------|------------------|----|-------|-------|-------------|----------------|----------------|-------------|-----------------------|-----------------|
| 286001          | AUTHORIZED       |    |       |       | 012         | MNR            |                | 1           | W2SWSW,SESWSW;        |                 |
|                 |                  |    |       |       | 013         | MNR            |                | 1           | W2NWNW,W2SWNW,N2NWSW; |                 |
|                 |                  |    |       |       | 014         | ALIQ           |                |             | SENE;                 |                 |

Serial Number: AZA 022448PT  
Total Case Acres: 42,694.470

| <u>Casetype</u> | <u>Case Disp</u> | 14 | 0190N | 0200W | <u>Sect</u> | <u>Sur Typ</u> | <u>Sur Num</u> | <u>Suff</u> | <u>Subdivision</u> | <u>Act Pend</u> |
|-----------------|------------------|----|-------|-------|-------------|----------------|----------------|-------------|--------------------|-----------------|
| 221006          | AUTHORIZED       |    |       |       | 002         | ALIQ           |                |             | SENE,SWNW,S2S2;    |                 |

Serial Number: AZA 023834  
Total Case Acres: 4.835

| <u>Casetype</u> | <u>Case Disp</u> | 14 | 0190N | 0200W | <u>Sect</u> | <u>Sur Typ</u> | <u>Sur Num</u> | <u>Suff</u> | <u>Subdivision</u>    | <u>Act Pend</u> |
|-----------------|------------------|----|-------|-------|-------------|----------------|----------------|-------------|-----------------------|-----------------|
| 286001          | AUTHORIZED       |    |       |       | 012         | MNR            |                | 1           | W2SWSW,SESWSW;        |                 |
|                 |                  |    |       |       | 013         | MNR            |                | 1           | W2NWNW,W2SWNW,N2NWSW; |                 |
|                 |                  |    |       |       | 014         | ALIQ           |                |             | SENE;                 |                 |

Serial Number: AZA 024819  
Total Case Acres: 87.900

| <u>Casetype</u> | <u>Case Disp</u> | 14 | 0190N | 0200W | <u>Sect</u> | <u>Sur Typ</u> | <u>Sur Num</u> | <u>Suff</u> | <u>Subdivision</u> | <u>Act Pend</u> |
|-----------------|------------------|----|-------|-------|-------------|----------------|----------------|-------------|--------------------|-----------------|
| 288100          | AUTHORIZED       |    |       |       | 010         | FF             |                | 1           | LOT 4,EXCEPT PAT.; |                 |
|                 |                  |    |       |       | 011         | ALIQ           |                | 1           | SENE;              |                 |



RUN TIME: 10:42 AM

UNITED STATES DEPARTMENT OF INTERIOR  
BUREAU OF LAND MANAGEMENT  
GEOGRAPHIC REPORT WITH LAND  
Sorted by Serial Number

RUN DATE: 01/03/2018  
Page 6 of 13

Adm State: AZ

012 LOTS 4,5;  
015 LOTS 6,8,9,11,12;  
015 LOTS 9;

Serial Number: AZA 025482  
Total Case Acres: 27,660.000

| <u>Casetype</u> | <u>Case Disp</u> | 14 | 0190N | 0200W | <u>Sect</u> | <u>Sur Typ</u> | <u>Sur Num</u> | <u>Suff</u> | <u>Subdivision</u> | <u>Act Pend</u> |
|-----------------|------------------|----|-------|-------|-------------|----------------|----------------|-------------|--------------------|-----------------|
| 231106          | AUTHORIZED       |    |       |       | 002         | ALIQ           |                |             | SENE,N2S2;         |                 |
|                 |                  |    |       |       |             | LOTS           |                |             | 1-4,7-9,11,12;     |                 |
|                 |                  |    |       |       | 003         | LOTS           |                |             | 1,2,6,8,9;         |                 |
|                 |                  |    |       |       | 012         | ALIQ           |                |             | N2NE;              |                 |
|                 |                  |    |       |       |             | LOTS           |                |             | 1,2,4,5,7,10;      |                 |

Serial Number: AZA 025494  
Total Case Acres: 112,400.000

| <u>Casetype</u> | <u>Case Disp</u> | 14 | 0190N | 0200W | <u>Sect</u> | <u>Sur Typ</u> | <u>Sur Num</u> | <u>Suff</u> | <u>Subdivision</u> | <u>Act Pend</u> |
|-----------------|------------------|----|-------|-------|-------------|----------------|----------------|-------------|--------------------|-----------------|
| 231106          | AUTHORIZED       |    |       |       | 013         | FF             |                |             | PART SE;           |                 |
|                 |                  |    |       |       | 024         | FF             |                |             | PART E2;           |                 |
|                 |                  |    |       |       | 025         | FF             |                |             | PART E2NE,S2;      |                 |
|                 |                  |    |       |       | 026         | FF             |                |             | PART SESESE;       |                 |

Serial Number: AZA 027075  
Total Case Acres: 3.450

| <u>Casetype</u> | <u>Case Disp</u> | 14 | 0190N | 0200W | <u>Sect</u> | <u>Sur Typ</u> | <u>Sur Num</u> | <u>Suff</u> | <u>Subdivision</u> | <u>Act Pend</u> |
|-----------------|------------------|----|-------|-------|-------------|----------------|----------------|-------------|--------------------|-----------------|
| 287001          | AUTHORIZED       |    |       |       | 014         | LOTS           |                |             | 11;                |                 |

Serial Number: AZA 027330  
Total Case Acres: 0.630

| <u>Casetype</u> | <u>Case Disp</u> | 14 | 0190N | 0190W | <u>Sect</u> | <u>Sur Typ</u> | <u>Sur Num</u> | <u>Suff</u> | <u>Subdivision</u> | <u>Act Pend</u> |
|-----------------|------------------|----|-------|-------|-------------|----------------|----------------|-------------|--------------------|-----------------|
| 271000          | AUTHORIZED       |    |       |       | 018         | LOTS           |                |             | 8;                 |                 |



RUN TIME: 10:42 AM

UNITED STATES DEPARTMENT OF INTERIOR  
BUREAU OF LAND MANAGEMENT  
GEOGRAPHIC REPORT WITH LAND  
Sorted by Serial Number

RUN DATE: 01/03/2018  
Page 8 of 13

Adm State: AZ

Serial Number: AZA 028780  
Total Case Acres: 20.620

| <u>Casetype</u> | <u>Case Disp</u> | 14 | 0190N | 0200W | <u>Sect</u> | <u>Sur Typ</u> | <u>Sur Num</u> | <u>Suff</u> | <u>Subdivision</u> | <u>Act Pend</u> |
|-----------------|------------------|----|-------|-------|-------------|----------------|----------------|-------------|--------------------|-----------------|
| 386201          | REJECTED         |    |       |       | 013         | MS             | 4882           |             |                    |                 |

Serial Number: AZA 028810  
Total Case Acres: 0.760

| <u>Casetype</u> | <u>Case Disp</u> | 14 | 0190N | 0200W | <u>Sect</u> | <u>Sur Typ</u> | <u>Sur Num</u> | <u>Suff</u> | <u>Subdivision</u> | <u>Act Pend</u> |
|-----------------|------------------|----|-------|-------|-------------|----------------|----------------|-------------|--------------------|-----------------|
| 285002          | AUTHORIZED       |    |       |       | 010         | ALIQ           |                |             | SWSE;              |                 |
|                 |                  |    |       |       | 015         | LOTS           |                |             | 6;                 |                 |

Serial Number: AZA 028811  
Total Case Acres: 0.940

| <u>Casetype</u> | <u>Case Disp</u> | 14 | 0190N | 0200W | <u>Sect</u> | <u>Sur Typ</u> | <u>Sur Num</u> | <u>Suff</u> | <u>Subdivision</u> | <u>Act Pend</u> |
|-----------------|------------------|----|-------|-------|-------------|----------------|----------------|-------------|--------------------|-----------------|
| 286203          | AUTHORIZED       |    |       |       | 010         | ALIQ           |                |             | SWSE;              |                 |
|                 |                  |    |       |       | 015         | LOTS           |                |             | 6;                 |                 |

Serial Number: AZA 029384  
Total Case Acres: 4.450

| <u>Casetype</u> | <u>Case Disp</u> | 14 | 0190N | 0200W | <u>Sect</u> | <u>Sur Typ</u> | <u>Sur Num</u> | <u>Suff</u> | <u>Subdivision</u>        | <u>Act Pend</u> |
|-----------------|------------------|----|-------|-------|-------------|----------------|----------------|-------------|---------------------------|-----------------|
| 286001          | AUTHORIZED       |    |       |       | 012         | MNR            |                | 1           | W2SWSW,SESWSW;            |                 |
|                 |                  |    |       |       | 013         | MNR            |                | 1           | W2NWNW,S2NWSWNW,N2SWSWNW; |                 |
|                 |                  |    |       |       | 014         | ALIQ           |                |             | SENE;                     |                 |

Serial Number: AZA 029740  
Total Case Acres: 4.990

| <u>Casetype</u> | <u>Case Disp</u> | 14 | 0190N | 0200W | <u>Sect</u> | <u>Sur Typ</u> | <u>Sur Num</u> | <u>Suff</u> | <u>Subdivision</u>        | <u>Act Pend</u> |
|-----------------|------------------|----|-------|-------|-------------|----------------|----------------|-------------|---------------------------|-----------------|
| 286001          | AUTHORIZED       |    |       |       | 012         | MNR            |                | 1           | W2SWSW,SESWSW;            |                 |
|                 |                  |    |       |       | 013         | MNR            |                | 1           | W2NWNW,S2NWSWNW,N2SWSWNW; |                 |
|                 |                  |    |       |       | 014         | ALIQ           |                |             | SENE;                     |                 |

RUN TIME: 10:42 AM

UNITED STATES DEPARTMENT OF INTERIOR  
BUREAU OF LAND MANAGEMENT  
GEOGRAPHIC REPORT WITH LAND  
Sorted by Serial Number

RUN DATE: 01/03/2018  
Page 9 of 13

Adm State: AZ

Serial Number: AZA 030409  
Total Case Acres: 1.200

| <u>Casetype</u> | <u>Case Disp</u> | 14 | 0190N | 0200W | <u>Sect</u> | <u>Sur Typ</u> | <u>Sur Num</u> | <u>Suff</u> | <u>Subdivision</u> | <u>Act Pend</u> |
|-----------------|------------------|----|-------|-------|-------------|----------------|----------------|-------------|--------------------|-----------------|
| 287001          | AUTHORIZED       |    |       |       | 010         | LOTS           |                |             | 4;                 |                 |
|                 |                  |    |       |       |             | MNR            |                |             | W2SWSE;            |                 |
|                 |                  |    |       |       | 011         | LOTS           |                |             | 5;                 |                 |
|                 |                  |    |       |       | 015         | ALIQ           |                |             | NWNE;              |                 |
|                 |                  |    |       |       |             | MNR            |                |             | N2SWNE;            |                 |

Serial Number: AZA 030738  
Total Case Acres: 1.000

| <u>Casetype</u> | <u>Case Disp</u> | 14 | 0190N | 0200W | <u>Sect</u> | <u>Sur Typ</u> | <u>Sur Num</u> | <u>Suff</u> | <u>Subdivision</u> | <u>Act Pend</u> |
|-----------------|------------------|----|-------|-------|-------------|----------------|----------------|-------------|--------------------|-----------------|
| 293200          | EXPIRED          |    |       |       | 012         | ALIQ           |                |             | ALL;               |                 |

Serial Number: AZA 030778  
Total Case Acres: 2.900

| <u>Casetype</u> | <u>Case Disp</u> | 14 | 0190N | 0200W | <u>Sect</u> | <u>Sur Typ</u> | <u>Sur Num</u> | <u>Suff</u> | <u>Subdivision</u>    | <u>Act Pend</u> |
|-----------------|------------------|----|-------|-------|-------------|----------------|----------------|-------------|-----------------------|-----------------|
| 281001          | AUTHORIZED       |    |       |       | 004         | LOTS           |                |             | 3,4;                  |                 |
|                 |                  |    |       |       |             | MNR            |                | 2           | W2NESE,N2NWSE,N2SESE; |                 |

Serial Number: AZA 033195  
Total Case Acres: 4.700

| <u>Casetype</u> | <u>Case Disp</u> | 14 | 0190N | 0200W | <u>Sect</u> | <u>Sur Typ</u> | <u>Sur Num</u> | <u>Suff</u> | <u>Subdivision</u> | <u>Act Pend</u> |
|-----------------|------------------|----|-------|-------|-------------|----------------|----------------|-------------|--------------------|-----------------|
| 286001          | AUTHORIZED       |    |       |       | 012         | MNR            |                |             | W2SWSW,SESWSW;     |                 |
|                 |                  |    |       |       | 013         | MNR            |                |             | W2NWNW;            |                 |
|                 |                  |    |       |       |             | MNR            |                |             | W2SWNW,N2NWSW;     |                 |
|                 |                  |    |       |       | 014         | MNR            |                |             | SENE;              |                 |

RUN TIME: 10:42 AM

UNITED STATES DEPARTMENT OF INTERIOR  
BUREAU OF LAND MANAGEMENT  
GEOGRAPHIC REPORT WITH LAND  
Sorted by Serial Number

RUN DATE: 01/03/2018

Page 10 of 13

Adm State: AZ

Serial Number: AZA 033473

Total Case Acres: 1.000

| <u>Casetype</u> | <u>Case Disp</u> | 14 | 0190N | 0200W | <u>Sect</u> | <u>Sur Typ</u> | <u>Sur Num</u> | <u>Suff</u> | <u>Subdivision</u> | <u>Act Pend</u> |
|-----------------|------------------|----|-------|-------|-------------|----------------|----------------|-------------|--------------------|-----------------|
| 293200          | EXPIRED          |    |       |       | 012         | ALIQ           |                |             | ALL;               |                 |

Serial Number: AZA 033479

Total Case Acres: 1.000

| <u>Casetype</u> | <u>Case Disp</u> | 14 | 0190N | 0200W | <u>Sect</u> | <u>Sur Typ</u> | <u>Sur Num</u> | <u>Suff</u> | <u>Subdivision</u> | <u>Act Pend</u> |
|-----------------|------------------|----|-------|-------|-------------|----------------|----------------|-------------|--------------------|-----------------|
| 293200          | EXPIRED          |    |       |       | 012         | ALIQ           |                |             | ALL;               |                 |

Serial Number: AZA 033480

Total Case Acres: 1.000

| <u>Casetype</u> | <u>Case Disp</u> | 14 | 0190N | 0200W | <u>Sect</u> | <u>Sur Typ</u> | <u>Sur Num</u> | <u>Suff</u> | <u>Subdivision</u> | <u>Act Pend</u> |
|-----------------|------------------|----|-------|-------|-------------|----------------|----------------|-------------|--------------------|-----------------|
| 293200          | EXPIRED          |    |       |       | 011         | ALIQ           |                |             | SW;                |                 |
|                 |                  |    |       |       | 014         | ALIQ           |                |             | NW;                |                 |
|                 |                  |    |       |       | 023         | ALIQ           |                |             | S2;                |                 |

Serial Number: AZA 033484

Total Case Acres: 1.000

| <u>Casetype</u> | <u>Case Disp</u> | 14 | 0190N | 0200W | <u>Sect</u> | <u>Sur Typ</u> | <u>Sur Num</u> | <u>Suff</u> | <u>Subdivision</u> | <u>Act Pend</u> |
|-----------------|------------------|----|-------|-------|-------------|----------------|----------------|-------------|--------------------|-----------------|
| 293200          | AUTHORIZED       |    |       |       | 004         | ALIQ           |                |             | W2,SE;             |                 |

Serial Number: AZA 033623

Total Case Acres: 0.002

| <u>Casetype</u> | <u>Case Disp</u> | 14 | 0190N | 0200W | <u>Sect</u> | <u>Sur Typ</u> | <u>Sur Num</u> | <u>Suff</u> | <u>Subdivision</u> | <u>Act Pend</u> |
|-----------------|------------------|----|-------|-------|-------------|----------------|----------------|-------------|--------------------|-----------------|
| 289001          | AUTHORIZED       |    |       |       | 014         | MNR            |                |             | NWSENE;            |                 |

RUN TIME: 10:42 AM

UNITED STATES DEPARTMENT OF INTERIOR  
BUREAU OF LAND MANAGEMENT  
GEOGRAPHIC REPORT WITH LAND  
Sorted by Serial Number

RUN DATE: 01/03/2018

Page 11 of 13

Adm State: AZ

Serial Number: AZA 034457  
Total Case Acres: 0.530

| <u>Casetype</u> | <u>Case Disp</u> | 14 | 0190N | 0200W | <u>Sect</u> | <u>Sur Typ</u> | <u>Sur Num</u> | <u>Suff</u> | <u>Subdivision</u> | <u>Act Pend</u> |
|-----------------|------------------|----|-------|-------|-------------|----------------|----------------|-------------|--------------------|-----------------|
| 285003          | AUTHORIZED       |    |       |       | 010         | ALIQ           |                |             | E2SW;              |                 |

Serial Number: AZA 034798  
Total Case Acres: 0.155

| <u>Casetype</u> | <u>Case Disp</u> | 14 | 0190N | 0200W | <u>Sect</u> | <u>Sur Typ</u> | <u>Sur Num</u> | <u>Suff</u> | <u>Subdivision</u> | <u>Act Pend</u> |
|-----------------|------------------|----|-------|-------|-------------|----------------|----------------|-------------|--------------------|-----------------|
| 285003          | AUTHORIZED       |    |       |       | 023         | LOTS           |                |             | 25;                |                 |

Serial Number: AZA 036652  
Total Case Acres: 1.000

| <u>Casetype</u> | <u>Case Disp</u> | 14 | 0190N | 0200W | <u>Sect</u> | <u>Sur Typ</u> | <u>Sur Num</u> | <u>Suff</u> | <u>Subdivision</u> | <u>Act Pend</u> |
|-----------------|------------------|----|-------|-------|-------------|----------------|----------------|-------------|--------------------|-----------------|
| 286001          | PENDING          |    |       |       | 014         | ALIQ           |                |             | SENE;              | Y               |

Serial Number: AZAR 0017080  
Total Case Acres: 148.037

| <u>Casetype</u> | <u>Case Disp</u> | 14 | 0190N | 0190W | <u>Sect</u> | <u>Sur Typ</u> | <u>Sur Num</u> | <u>Suff</u> | <u>Subdivision</u> | <u>Act Pend</u> |
|-----------------|------------------|----|-------|-------|-------------|----------------|----------------|-------------|--------------------|-----------------|
| 288100          | AUTHORIZED       |    |       |       | 018         | ALIQ<br>LOTS   |                |             | NWNE;<br>2;        |                 |

Serial Number: AZAR 0017080  
Total Case Acres: 148.037

| <u>Casetype</u> | <u>Case Disp</u> | 14 | 0190N | 0200W | <u>Sect</u> | <u>Sur Typ</u> | <u>Sur Num</u> | <u>Suff</u> | <u>Subdivision</u>       | <u>Act Pend</u> |
|-----------------|------------------|----|-------|-------|-------------|----------------|----------------|-------------|--------------------------|-----------------|
| 288100          | AUTHORIZED       |    |       |       | 010         | FF             |                | 1           | SESW,W2SE, LOT 3 LESS;   |                 |
|                 |                  |    |       |       |             | FF             |                | 2           | PATENTED MINING CLAIMS;  |                 |
|                 |                  |    |       |       | 011         | FF             |                | 1           | LOTS 1,2,3, SENE LESS;   |                 |
|                 |                  |    |       |       |             | FF             |                | 2           | PATENTED MINING CLAIMS   |                 |
|                 |                  |    |       |       | 012         | FF             |                | 1           | S2NW,NESW LESS PATENTED; |                 |
|                 |                  |    |       |       |             | FF             |                | 2           | MINING CLAIMS;           |                 |

RUN TIME: 10:42 AM

UNITED STATES DEPARTMENT OF INTERIOR  
BUREAU OF LAND MANAGEMENT  
GEOGRAPHIC REPORT WITH LAND  
Sorted by Serial Number

RUN DATE: 01/03/2018

Page 12 of 13

Adm State: AZ

|     |    |   |                          |
|-----|----|---|--------------------------|
| 015 | FF | 1 | S2NW,W2SW LESS PATENTED; |
|     | FF | 2 | MINING CLAIMS;           |
| 022 | FF | 1 | LOTS 1,7,8,9 LESS;       |
|     | FF | 2 | PATENTED MINING CLAIMS;  |

Serial Number: AZAR 0023662

Total Case Acres: 164.600

| <u>Casetype</u> | <u>Case Disp</u> | 14 | 0190N | 0200W | <u>Sect</u> | <u>Sur Typ</u> | <u>Sur Num</u> | <u>Suff</u> | <u>Subdivision</u> | <u>Act Pend</u> |
|-----------------|------------------|----|-------|-------|-------------|----------------|----------------|-------------|--------------------|-----------------|
| 288100          | AUTHORIZED       |    |       |       | 010         | ALIQ           |                |             | NWSE,NESW,S2SW;    |                 |
|                 |                  |    |       |       |             | LOTS           |                |             | 4;                 |                 |
|                 |                  |    |       |       | 011         | FF             | 1              |             | SENE,NWSE;         |                 |
|                 |                  |    |       |       |             | LOTS           |                |             | 4,5;               |                 |
|                 |                  |    |       |       | 012         | ALIQ           |                |             | S2NE,NWSE,N2SW;    |                 |
|                 |                  |    |       |       | 015         | FF             | 1              |             | NWNW;              |                 |

Serial Number: AZAR 0029753

Total Case Acres: 4.630

| <u>Casetype</u> | <u>Case Disp</u> | 14 | 0190N | 0200W | <u>Sect</u> | <u>Sur Typ</u> | <u>Sur Num</u> | <u>Suff</u> | <u>Subdivision</u>        | <u>Act Pend</u> |
|-----------------|------------------|----|-------|-------|-------------|----------------|----------------|-------------|---------------------------|-----------------|
| 286005          | AUTHORIZED       |    |       |       | 012         | MNR            | 1              |             | W2SWSW,SESWSW;            |                 |
|                 |                  |    |       |       | 013         | MNR            | 1              |             | W2NWNW,S2NWSWNW,N2SWNWNW; |                 |
|                 |                  |    |       |       | 014         | ALIQ           |                |             | SENE;                     |                 |

Serial Number: AZAR 0031480

Total Case Acres: 0.800

| <u>Casetype</u> | <u>Case Disp</u> | 14 | 0190N | 0190W | <u>Sect</u> | <u>Sur Typ</u> | <u>Sur Num</u> | <u>Suff</u> | <u>Subdivision</u> | <u>Act Pend</u> |
|-----------------|------------------|----|-------|-------|-------------|----------------|----------------|-------------|--------------------|-----------------|
| 288100          | AUTHORIZED       |    |       |       | 018         | ALIQ           |                |             | NENW;              |                 |

Serial Number: AZAR 0031673

Total Case Acres: 7.860

| <u>Casetype</u> | <u>Case Disp</u> | 14 | 0190N | 0200W | <u>Sect</u> | <u>Sur Typ</u> | <u>Sur Num</u> | <u>Suff</u> | <u>Subdivision</u>        | <u>Act Pend</u> |
|-----------------|------------------|----|-------|-------|-------------|----------------|----------------|-------------|---------------------------|-----------------|
| 286001          | AUTHORIZED       |    |       |       | 012         | MNR            | 1              |             | W2SWSW,SESWSW;            |                 |
|                 |                  |    |       |       | 013         | MNR            | 1              |             | W2NWNW,S2NWSWNW,N2SWSWNW; |                 |

RUN TIME: 10:42 AM

UNITED STATES DEPARTMENT OF INTERIOR  
BUREAU OF LAND MANAGEMENT  
GEOGRAPHIC REPORT WITH LAND  
Sorted by Serial Number

RUN DATE: 01/03/2018  
Page 13 of 13

Adm State: AZ

014 MNR 1 N2SENE;

Serial Number: AZPHX 0034352  
Total Case Acres: 424.177

| <u>Casetype</u> | <u>Case Disp</u> | 14 | 0190N | 0190W | <u>Sect</u> | <u>Sur Typ</u> | <u>Sur Num</u> | <u>Suff</u> | <u>Subdivision</u> | <u>Act Pend</u> |
|-----------------|------------------|----|-------|-------|-------------|----------------|----------------|-------------|--------------------|-----------------|
| 285003          | AUTHORIZED       |    |       |       | 018         | ALIQ<br>LOTS   |                |             | NWNE,NENW;<br>7;   |                 |

Serial Number: AZPHX 0034352  
Total Case Acres: 424.177

| <u>Casetype</u> | <u>Case Disp</u> | 14 | 0190N | 0200W | <u>Sect</u> | <u>Sur Typ</u> | <u>Sur Num</u> | <u>Suff</u> | <u>Subdivision</u> | <u>Act Pend</u> |
|-----------------|------------------|----|-------|-------|-------------|----------------|----------------|-------------|--------------------|-----------------|
| 285003          | AUTHORIZED       |    |       |       | 012         | ALIQ<br>LOTS   |                |             | E2SE;<br>9;        |                 |





















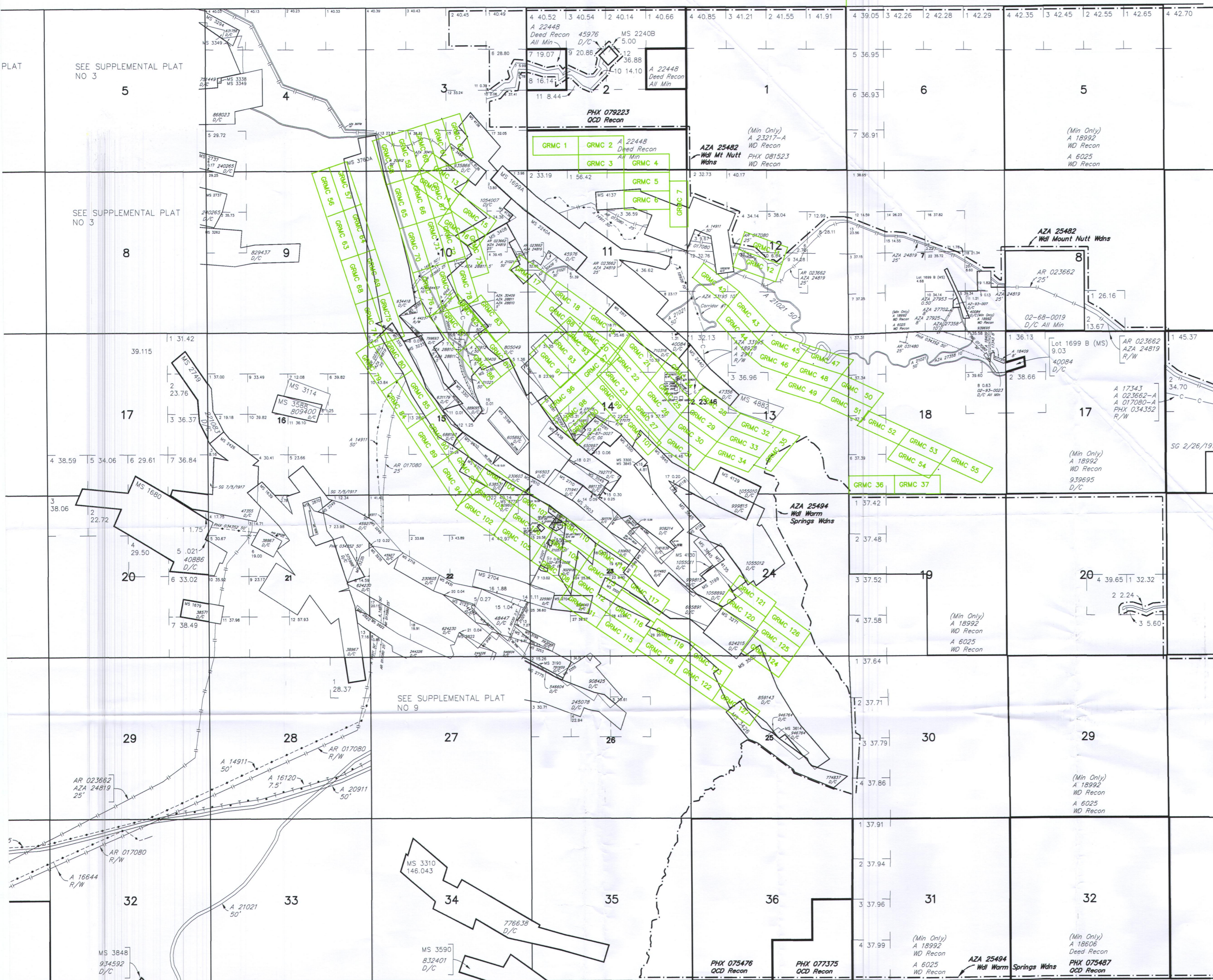


TOWNSHIP 19 NORTH RANGE 19 & 20 WEST OF THE GILA AND SALT RIVER MERIDIAN, ARIZONA

AMC 448199 - 448318

MOHAVE COUNTY  
KINGMAN FIELD OFFICE

R 20 W R 19 W



**NOTES FROM T19N R19W**

Grazing Dist No 2

AZA 27760 R/W Power Transmission Line 5'  
Sec 18: Lots 7, 8

AZA 27909 R/W Access Road 10'  
Sec 18: Lot 7

AZA 27924 R/W Telephone Line 8'  
Sec 18: Lots 7, 8

**NOTES FROM T19N R20W**

Grazing Dist No 2

MDS 479 NE  
480 NW  
481 SW  
482 SE

AZA 7788, AZA 29384, AR 031673, AZA 2911  
AZA 029753, AZA 16534, AZA 16534-A, AZA 23834,  
and AZA 22110 are amended to include access road  
40'x4800'

Sec 12: W1/2SW1/4SW1/4, SE1/4SW1/4SW1/4  
Sec 13: W1/2NW1/4NW1/4, W1/2SW1/4NW1/4  
N1/2NW1/4SW1/4  
Sec 14: SE1/4NE1/4

AZA 20912 R/W Road 50'  
Sec 31: Lots 1 and 2, S1/2NE1/4, SE1/4NW1/4,  
NW1/4 SE1/4, E1/2SE1/4  
Sec 32: SW1/4SW1/4

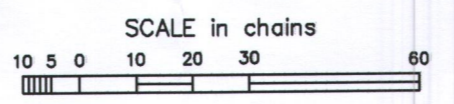
AZA 34798 R/W Transmission Line 10'  
Sec 23: Lot 25

ROWS in Corridor #1, SW 1/4 of Sec 12 T19N R20W

AR 029753  
AR 031673  
AZA 23834  
AZA 22110  
AZA 29384  
AZA 29740  
AZA 7788  
AZA 2911  
AZA 33195

ROWS in Corridor #2, NE 1/4 of Sec 14 T19N R20W

AR 029753  
AR 031673  
AZA 23834  
AZA 22110  
AZA 29384  
AZA 29740  
AZA 7788  
AZA 2911  
AZA 33195  
AZA 16534-A



# EAST OF THE GILA AND SALT RIVER MERIDIAN, ARIZONA

YAVAPAI COUNTY  
TULSA FIELD OFFICE

R 20 W

R 19 W

